



US00D499976S

(12) **United States Design Patent** (10) **Patent No.:** **US D499,976 S**
Neufeglise et al. (45) **Date of Patent:** **** Dec. 21, 2004**

(54) **LIGHT BAR**

5,160,874 A 11/1992 Lyons et al.
D345,315 S 3/1994 Green et al.

(75) Inventors: **Steven W. Neufeglise**, Rochester, NY (US); **Jack Douglas Richardson**, Pittsford, NY (US); **Matthew David Liashek**, Gaithersburg, MD (US)

(List continued on next page.)

(73) Assignee: **Star Headlight & Lantern Co., Inc.**, Avon, NY (US)

(**) Term: **14 Years**

(21) Appl. No.: **29/187,269**

(22) Filed: **Jul. 30, 2003**

(51) **LOC (7) Cl.** **10-05**

(52) **U.S. Cl.** **D10/114**

(58) **Field of Search** D10/114, 111, D10/113; 340/468, 472-474; 362/217-225, 227, 240, 261-263, 493

OTHER PUBLICATIONS

Federal Signal Corp., Vista Lightbar, Federal Signal Corp, Product Catalog 1998, pp. 6-7.
Federal Signal Corp., FireHawk Lightbar, Federal Signal Corp. Product Catalog 1998, pp. 10-11.
Targeted Warning, Turbo Beam Plus Lightbar, Targeted Warning Catalog 1990, p. 3.
Targeted Warning, Turbo Flash Strobe, Targeted Warning Catalog 1990, p. 5.
Whelen 80H and 90H Series Lightbars, Whelen Catalog 1985, p. 25.
Federal Signal Corp. StreetHawk Lightbar, Federal Signal Corp. Product Catalog 1996, p. 2.
Federal Signal Corp. EconoMaster Lightbar, Federal Signal Corp. Product Catalog 1996, p. 4.
Printout of Web page for "Big Country Supply", Sho-Me By Able-2, SM49 Lightbar "U-Build-It" Add Your Own Options System, <http://store.yahoo.com/bcssales/shombyabsm49.html>.

(56) **References Cited**

U.S. PATENT DOCUMENTS

D237,999 S	12/1975	Runyon
D249,250 S	9/1978	Peirish, Jr.
4,189,709 A	2/1980	Gosswiller
D262,659 S	1/1982	Latta et al.
4,334,211 A	6/1982	McConnell et al.
D274,001 S	5/1984	Sailers
D280,978 S	10/1985	Gosswiller
4,577,178 A	3/1986	Hitora
4,595,904 A	6/1986	Gosswiller et al.
D284,557 S	7/1986	Ferenc
D286,756 S	11/1986	Menke et al.
4,635,039 A	1/1987	Gosswiller
D291,870 S	9/1987	Urbanski et al.
D293,090 S	12/1987	Garnerone
D312,424 S	11/1990	Foster
D312,425 S	11/1990	Foster
D312,978 S	12/1990	Foster
5,027,260 A	6/1991	Lyons et al.
D319,601 S	9/1991	Sasaki et al.
D326,621 S	6/1992	Jincks et al.

Primary Examiner—Nelson C. Holtje
(74) *Attorney, Agent, or Firm*—Kenneth J. Lukacher; Martin Lukacher

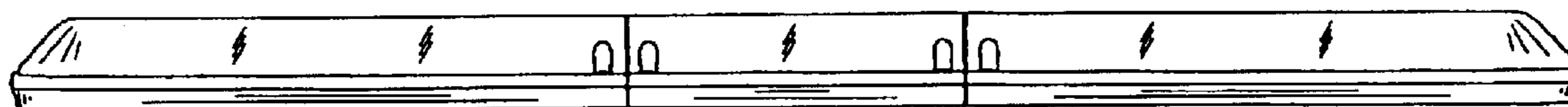
(57) **CLAIM**

The ornamental design for a light bar, as shown and described.

DESCRIPTION

FIG. 1 is a front elevational view of a light bar incorporating our new design; the back elevational view thereof being identical thereto;
FIG. 2 is a bottom plan view thereof;
FIG. 3 is a top plan view thereof;
FIG. 4 is a top perspective view thereof;
FIG. 5 is a right end view thereof; the left end view thereof being identical thereto; and,
FIG. 6 is a bottom perspective view thereof.

1 Claim, 3 Drawing Sheets



US D499,976 S

Page 2

U.S. PATENT DOCUMENTS

D345,316 S	3/1994	Green et al.	RE36,245 E	7/1999	Stanuch et al.
D355,142 S	2/1995	Wagner	6,081,191 A	6/2000	Green et al.
5,420,774 A	5/1995	Wilson	D427,537 S	7/2000	Green et al.
D359,461 S	6/1995	Chen	D431,489 S	10/2000	Eckersley
5,452,188 A	9/1995	Green et al.	D432,038 S	10/2000	Sasaki et al.
D363,675 S	10/1995	Sasaki et al.	D432,444 S	10/2000	Sasaki et al.
5,585,782 A	12/1996	Yosko	6,140,918 A *	10/2000	Green et al. 340/468
D402,909 S	12/1998	Stanuch	6,504,487 B1 *	1/2003	Pederson 340/815.45
5,884,997 A	3/1999	Stanuch et al.	D469,711 S	2/2003	Neufeglise et al.
D410,402 S	6/1999	Stein et al.	D476,253 S *	6/2003	Stein et al. D10/114

* cited by examiner

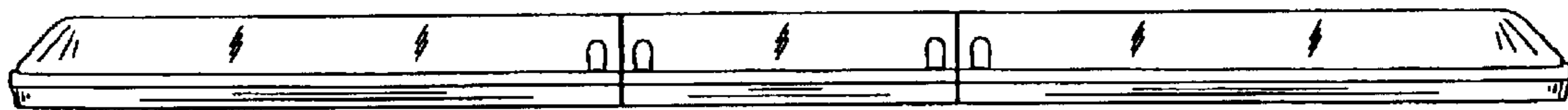


FIGURE 1

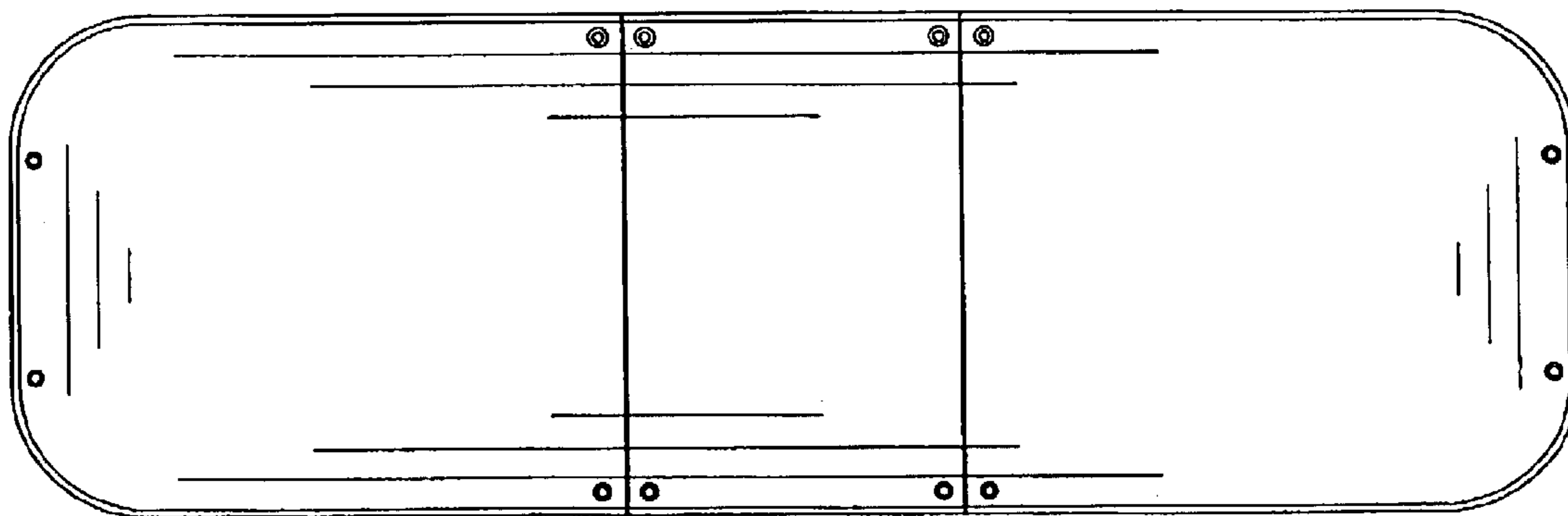


FIGURE 2

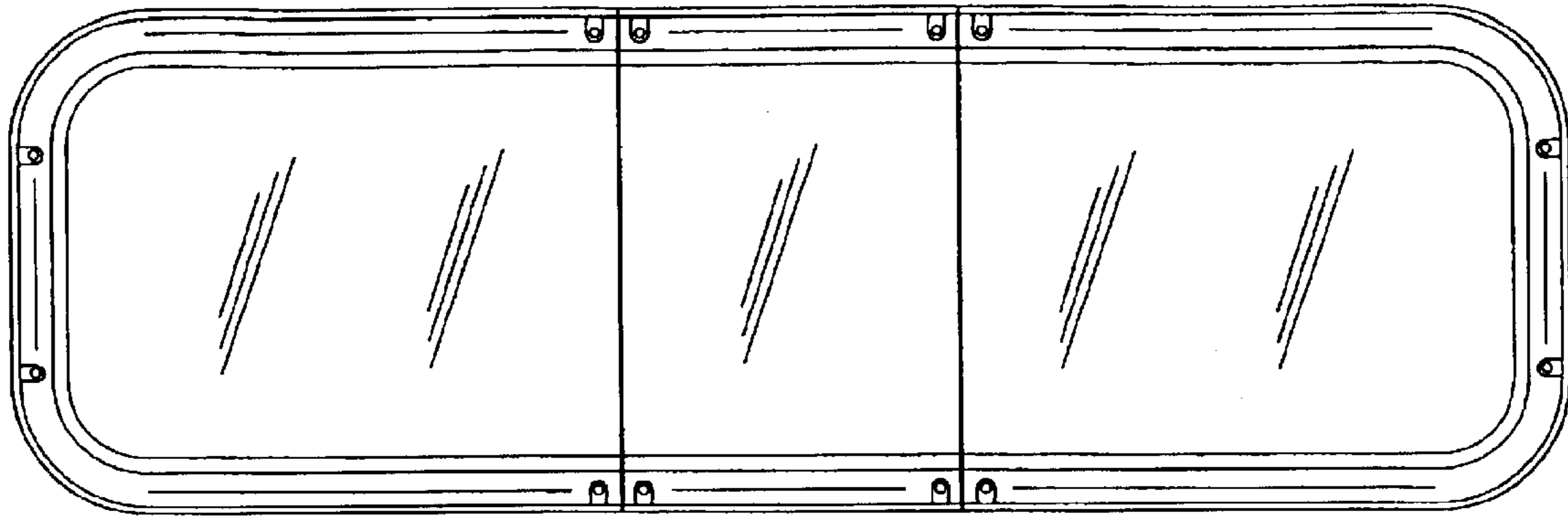


FIGURE 3

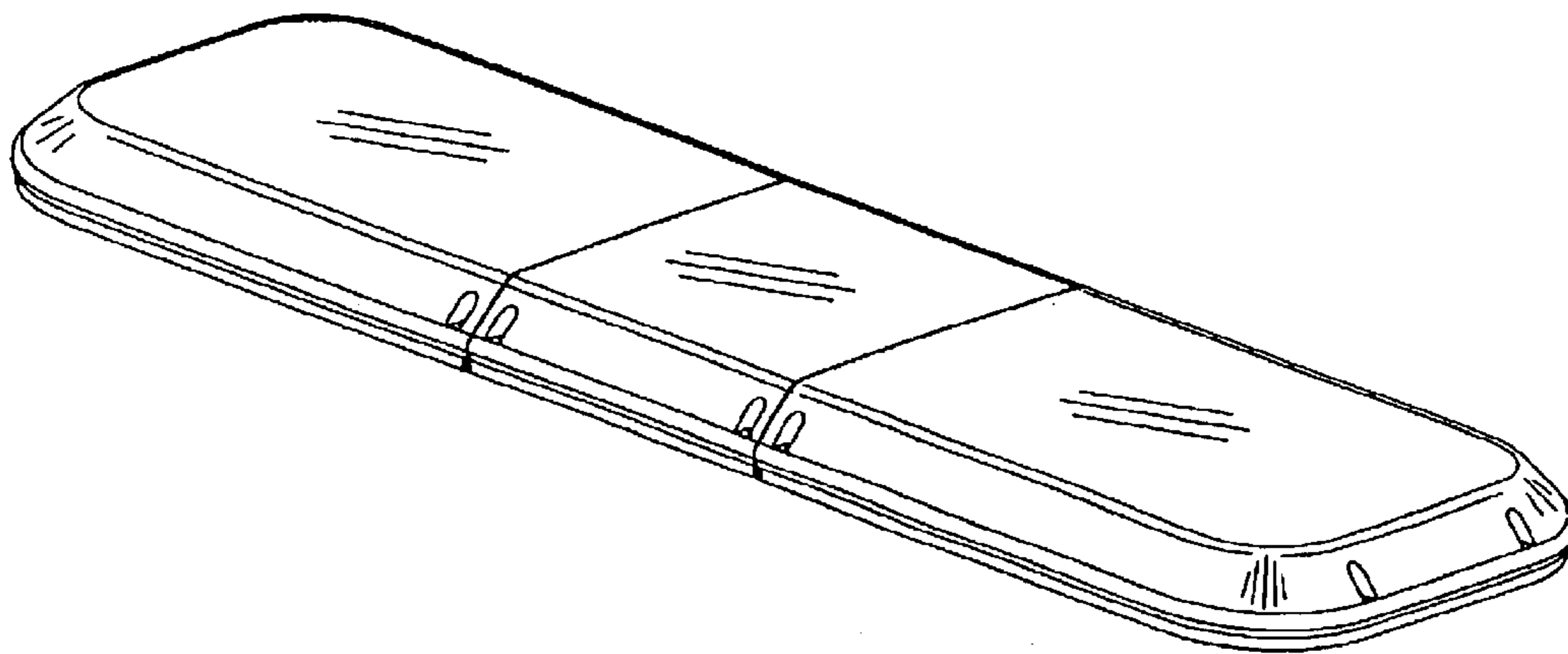


FIGURE 4

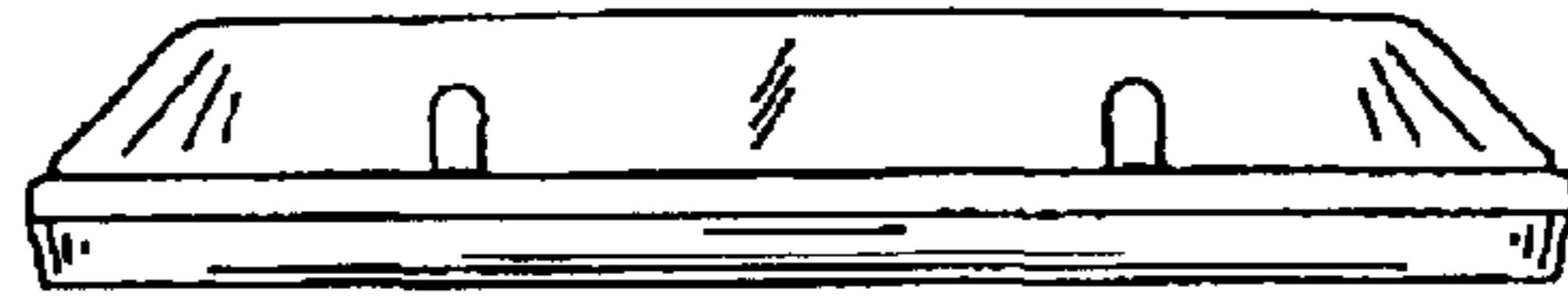


FIGURE 5

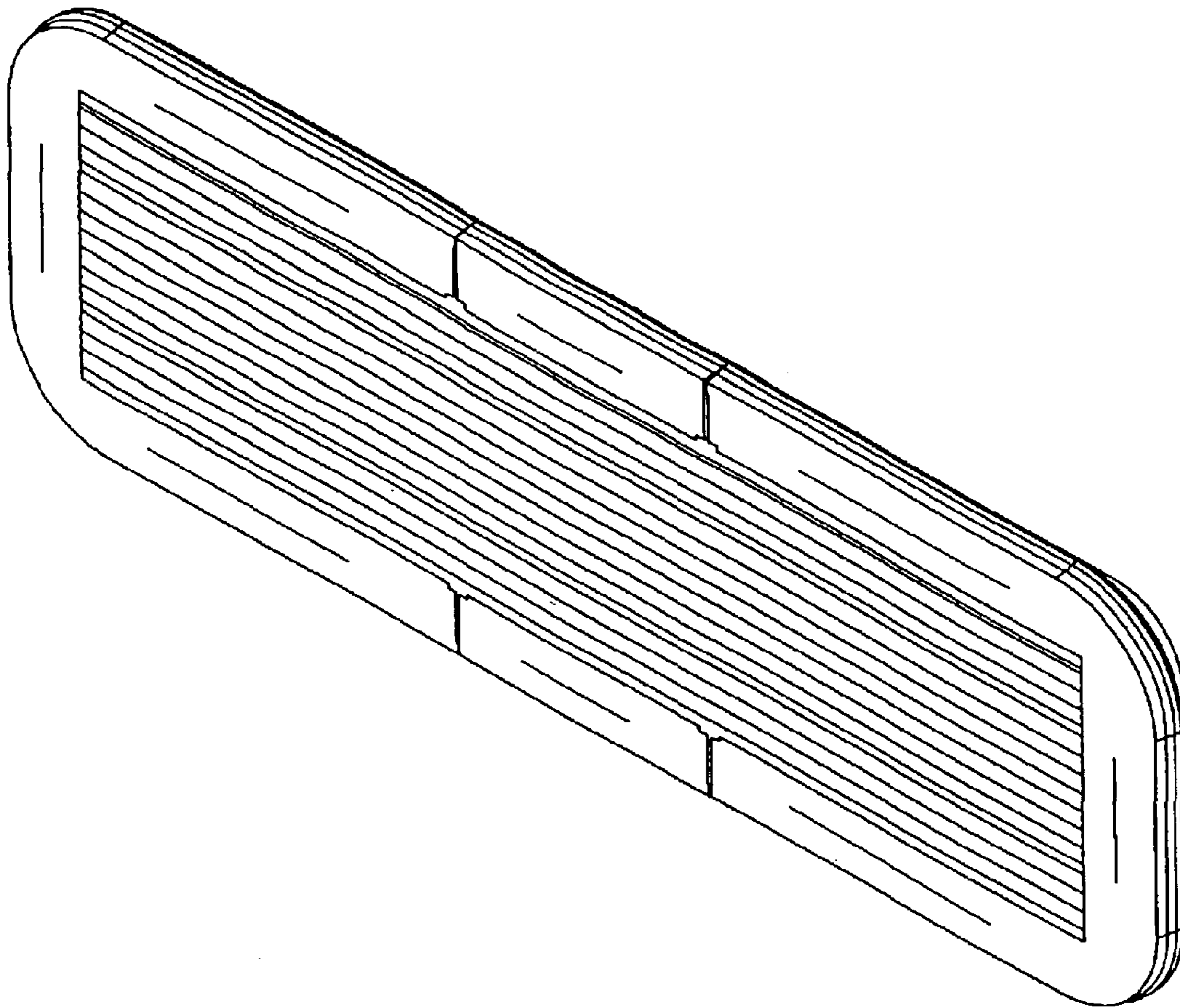


FIGURE 6