

US00D499966S

(12) **United States Design Patent**
Arminak

(10) **Patent No.:** **US D499,966 S**

(45) **Date of Patent:** **** Dec. 21, 2004**

(54) **PUMP DISPENSER**

(76) **Inventor:** **Armin Arminak**, 2397 Tifal Ave.,
Duarte, CA (US) 91010

(**) **Term:** **14 Years**

(21) **Appl. No.:** **29/202,908**

(22) **Filed:** **Apr. 6, 2004**

(51) **LOC (7) Cl.** **09-02**

(52) **U.S. Cl.** **D9/448**

(58) **Field of Search** D9/300, 435, 436,
D9/439, 440, 447-450, 529; 222/105, 153.13,
153.14, 402.11, 402.13, 383.1, 383.3, 862;
239/333

(56) **References Cited**

U.S. PATENT DOCUMENTS

D98,976 S	3/1936	Bernhardt	
D217,718 S	6/1970	Magers et al.	D23/14
D253,398 S	11/1979	Niemeyer et al.	D9/276
4,402,432 A	9/1983	Corsette	222/321
D272,988 S	3/1984	Podall et al.	D9/403
D392,887 S	* 3/1998	Wadsworth	D9/448
D419,446 S	1/2000	Durliat	D9/448
D427,527 S	7/2000	Wise	D9/448
D436,863 S	1/2001	Wadsworth et al.	D9/448
D445,686 S	7/2001	Danielo et al.	D9/448
D466,017 S	* 11/2002	Kuo	D9/448
D471,105 S	3/2003	González Fernández	D9/448

D486,986 S 2/2004 Arbore D6/542
2001/0045435 A1 11/2001 Bitton 222/78

* cited by examiner

Primary Examiner—Louis S. Zarfaz
Assistant Examiner—Gregory Andoll
(74) *Attorney, Agent, or Firm*—Cislo & Thomas LLP

(57) **CLAIM**

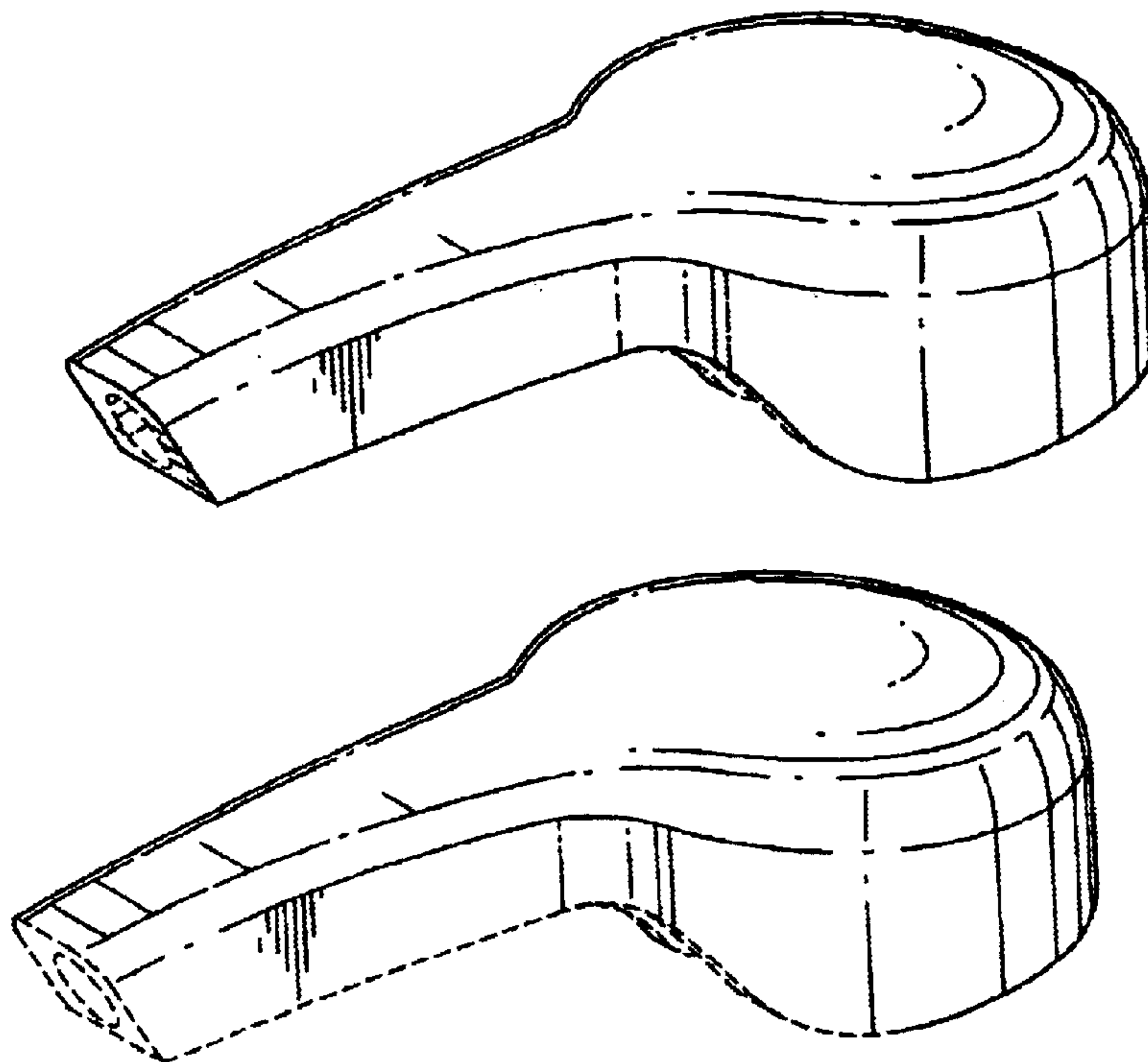
The ornamental design for a pump dispenser, as shown and described herein.

DESCRIPTION

FIG. 1. Is a perspective view of my pump dispenser;
FIG. 2. Is a right side view thereof, the left side view being substantially identical, thereto;
FIG. 3. Is a top view thereof;
FIG. 4. Is a front view thereof;
FIG. 5. Is a rear view thereof;
FIG. 6. Is a perspective view of another embodiment of my pump dispenser;
FIG. 7. Is a right side view thereof, the left side view being substantially identical, thereto;
FIG. 8. Is a top view thereof;
FIG. 9. Is a front view thereof; and,
FIG. 10. Is a rear view thereof.

The broken line portions of the disclosure are for illustrative purposes only and form no part of the claimed design.

1 Claim, 4 Drawing Sheets



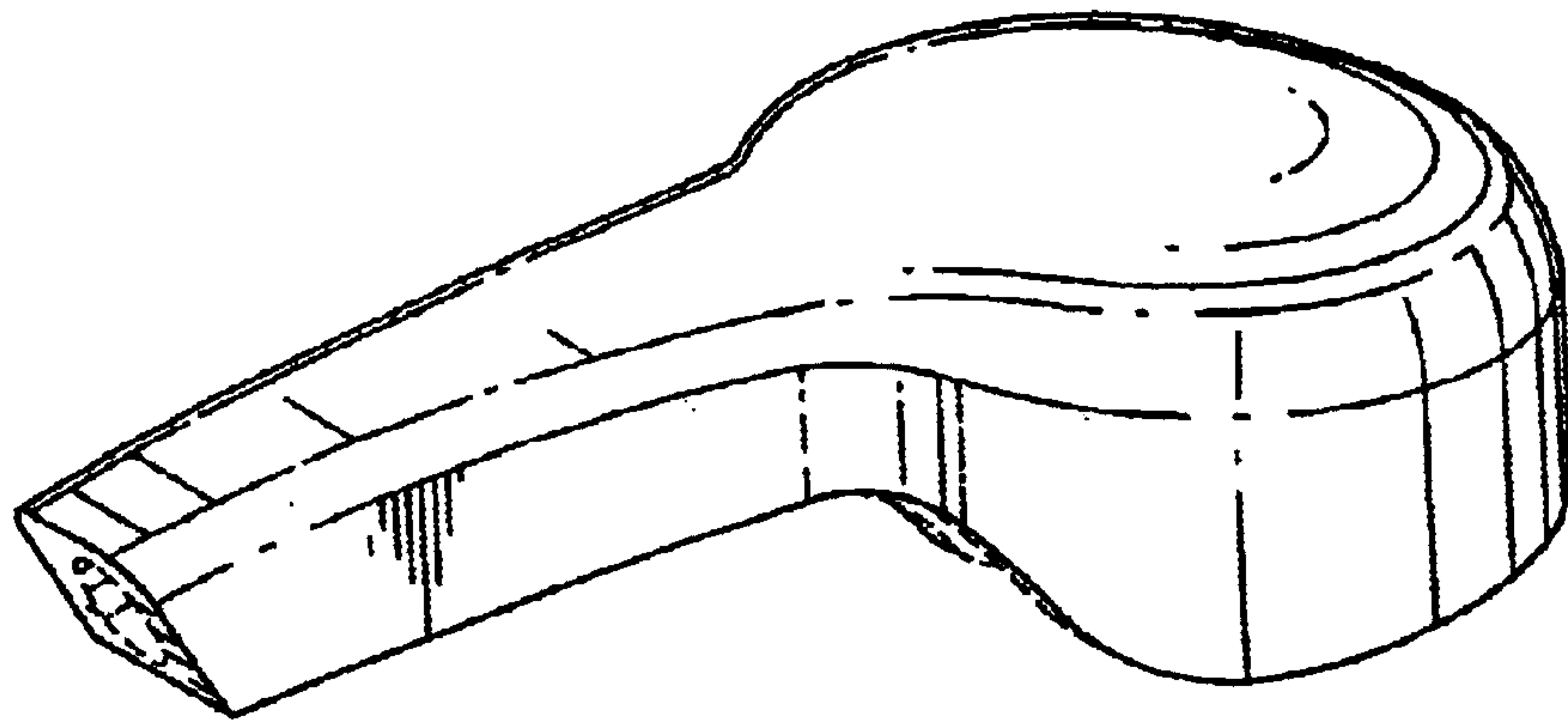


FIG. 1

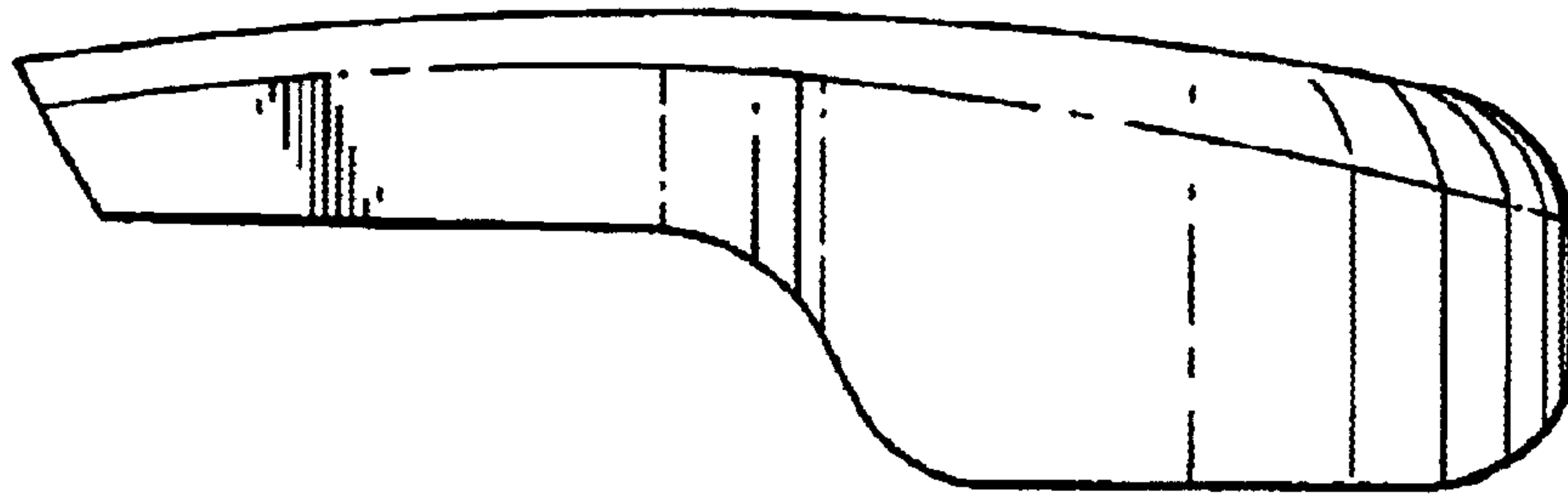


FIG. 2

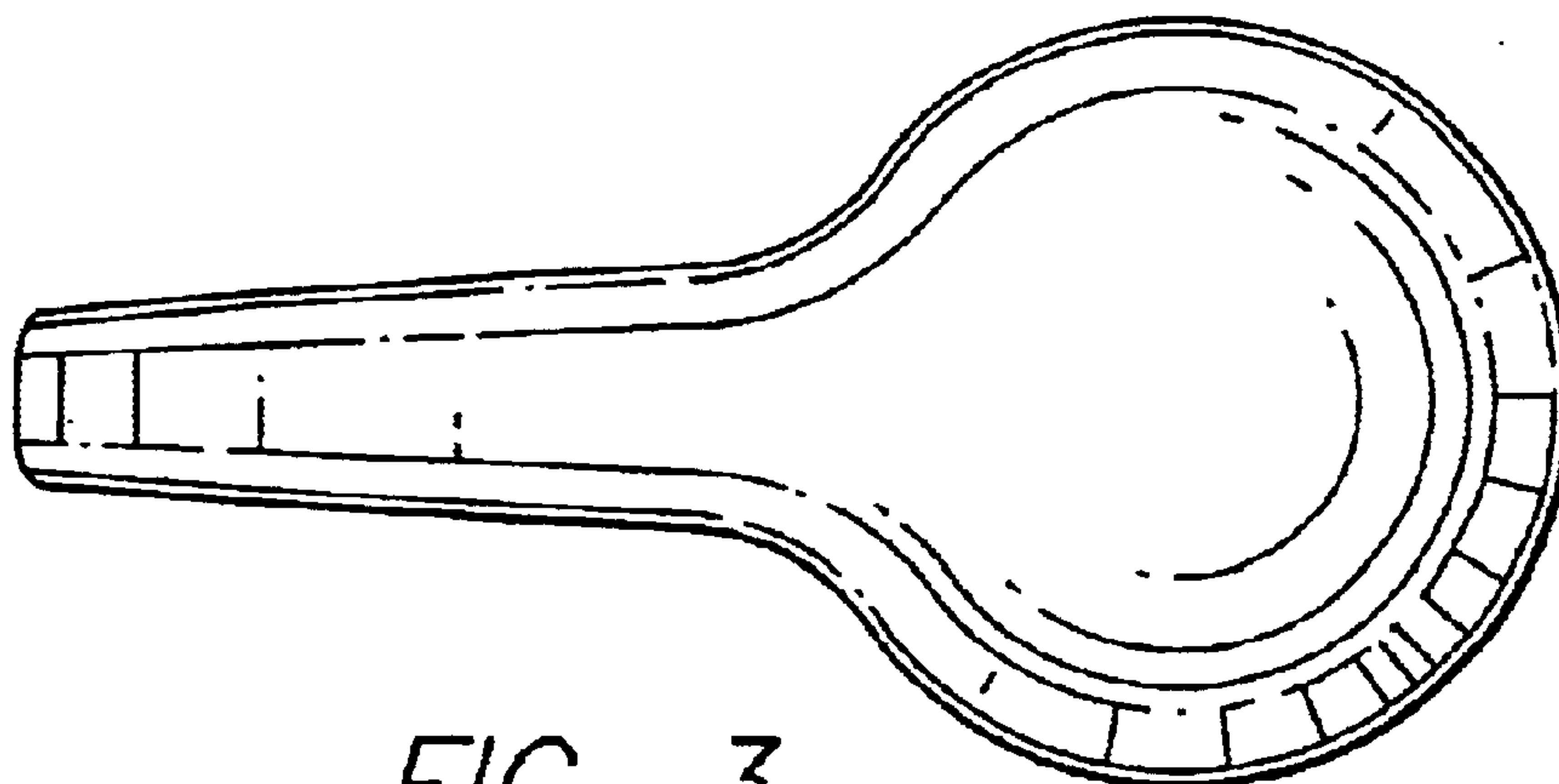


FIG. 3

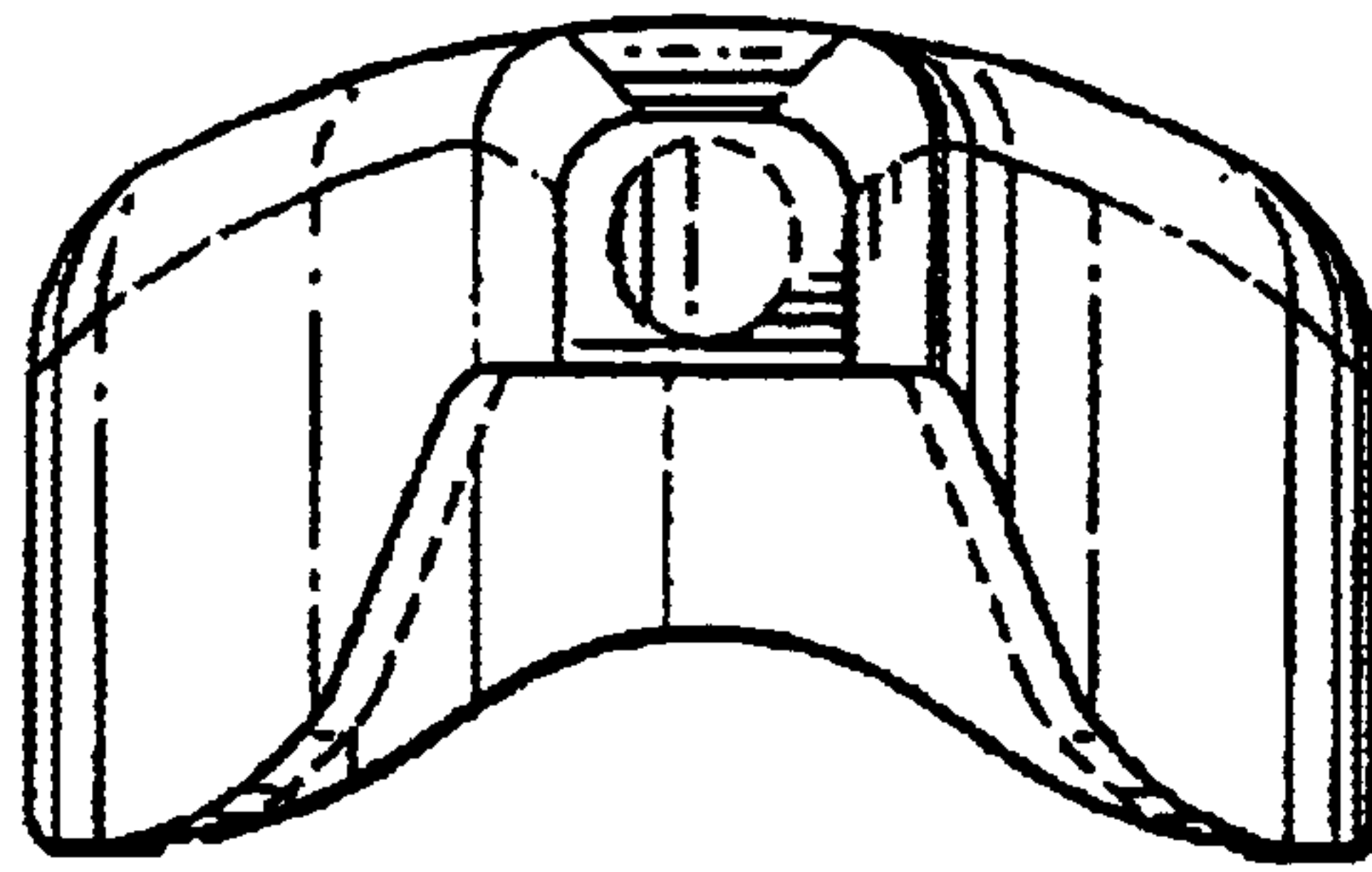


FIG. 4

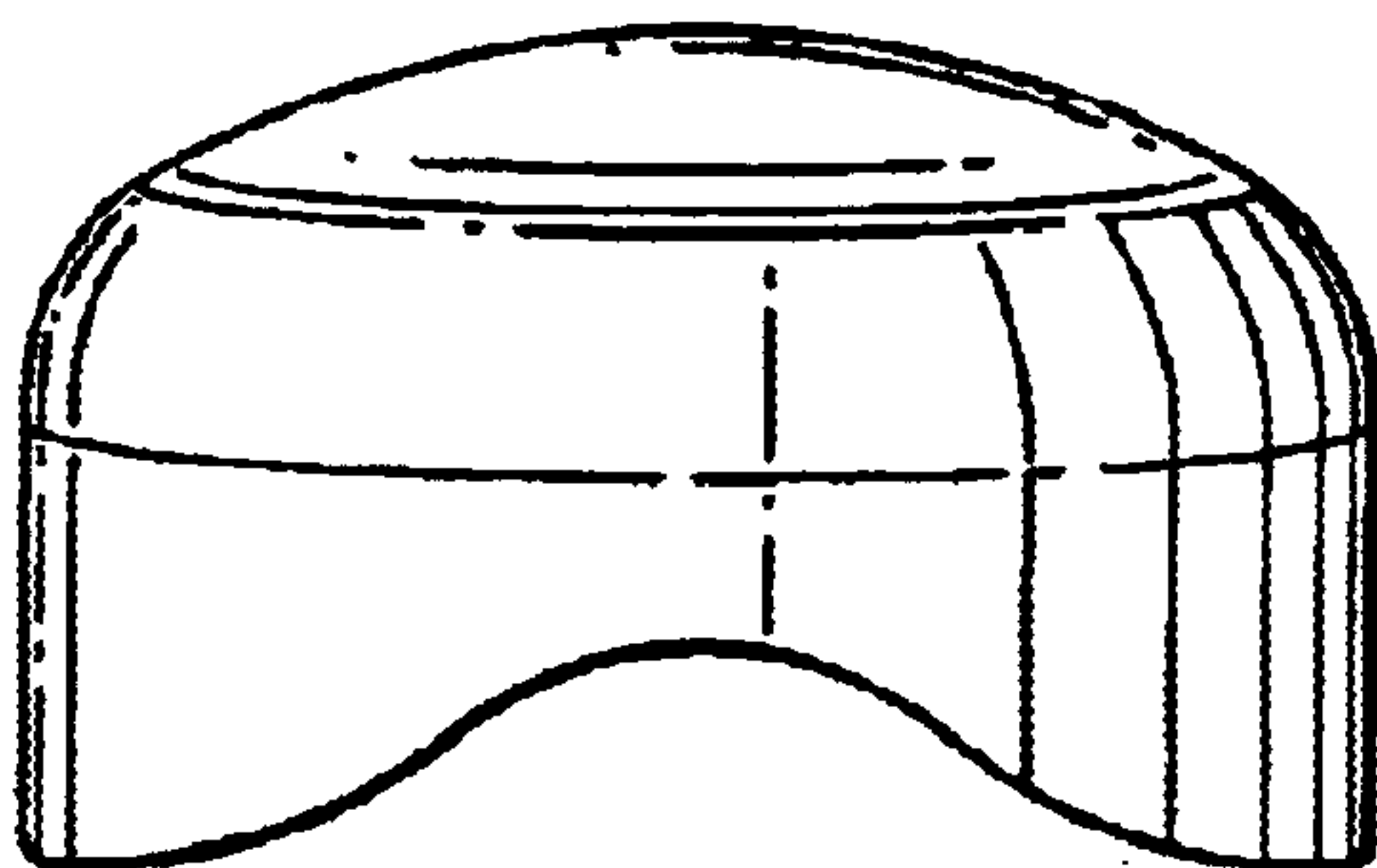


FIG. 5

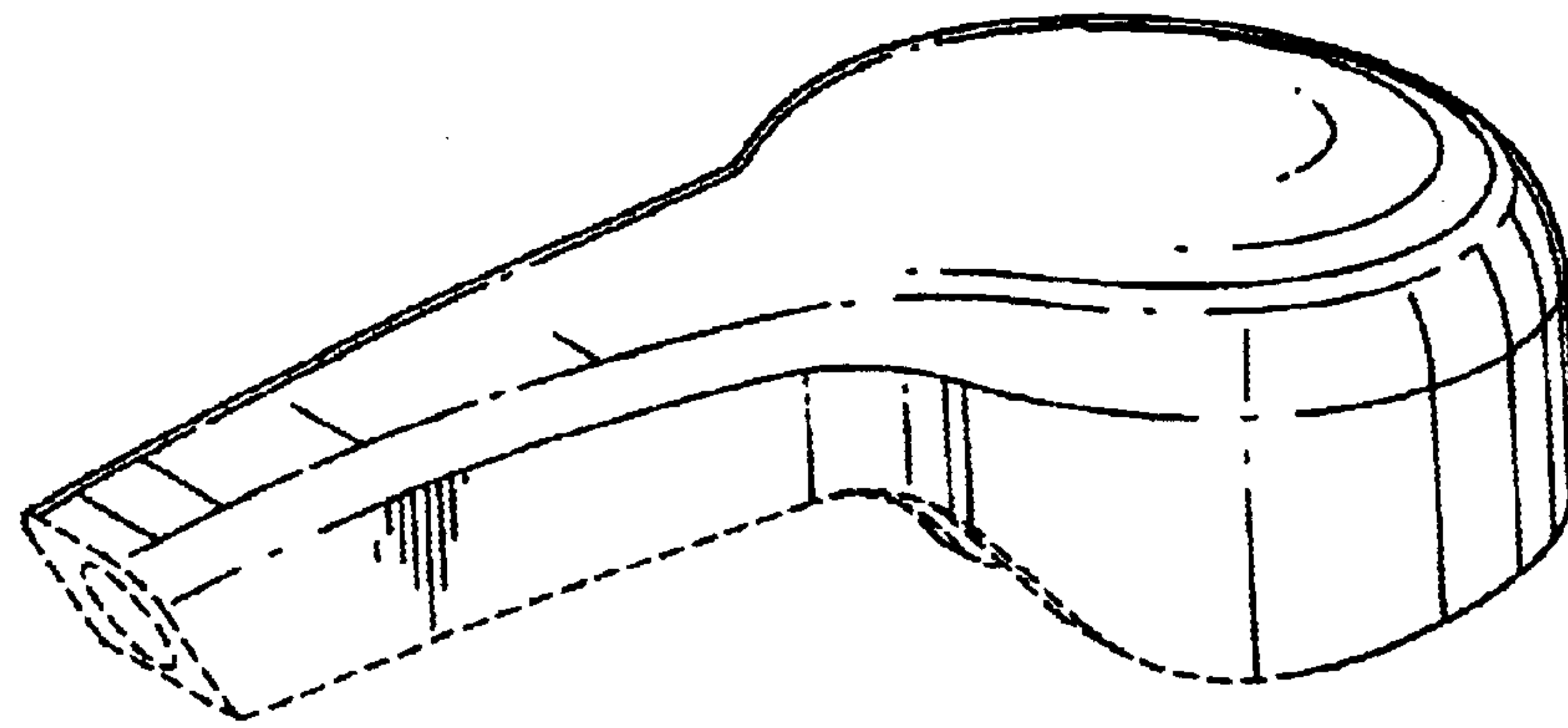


FIG. 6

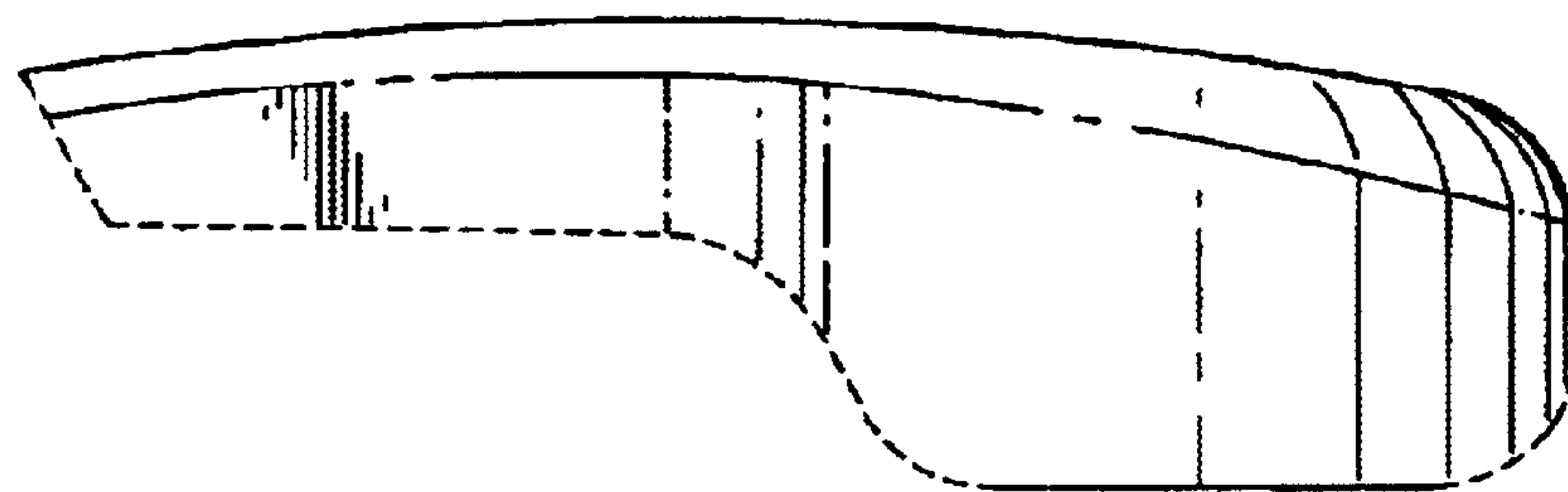


FIG. 7

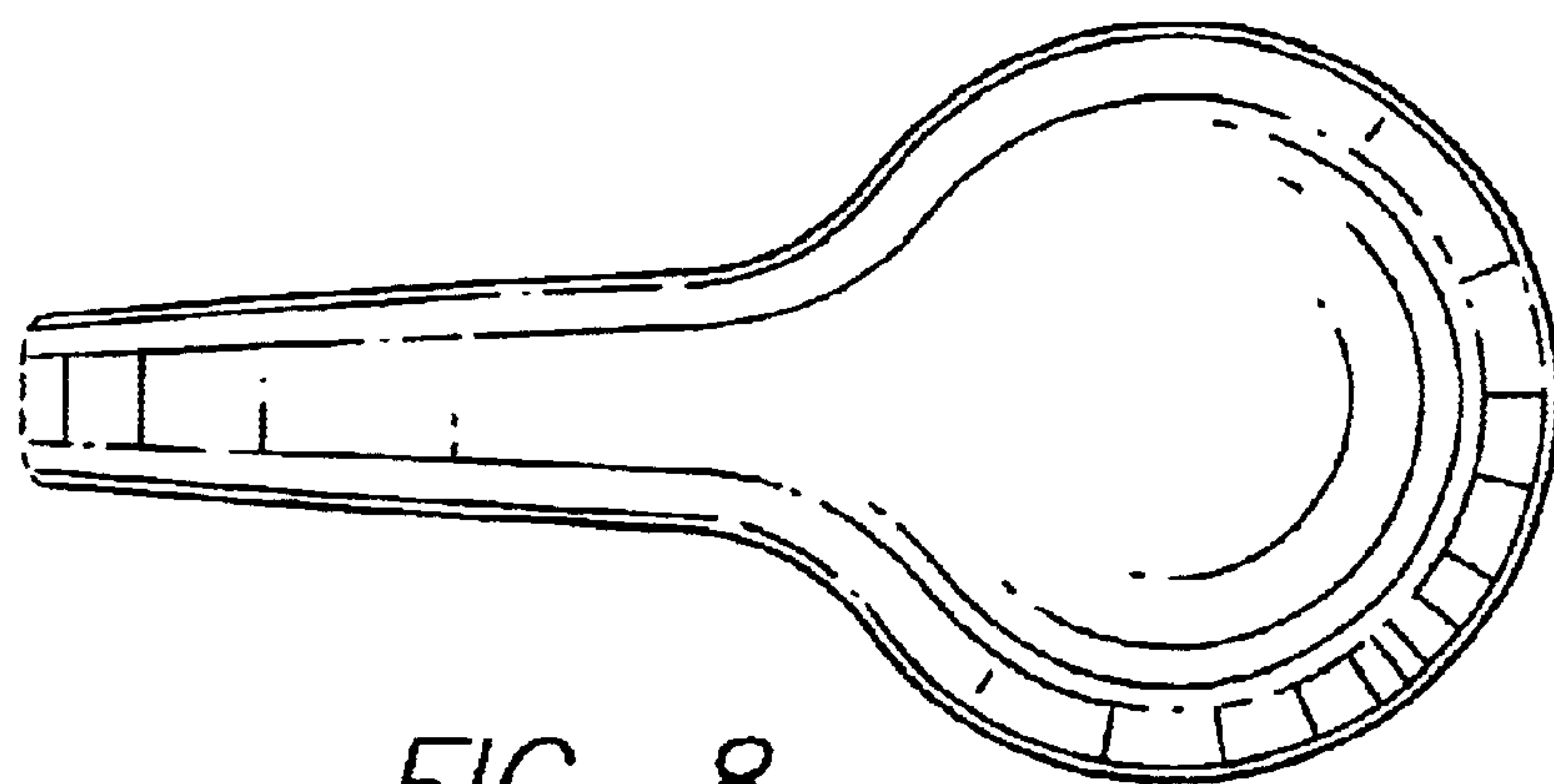


FIG. 8

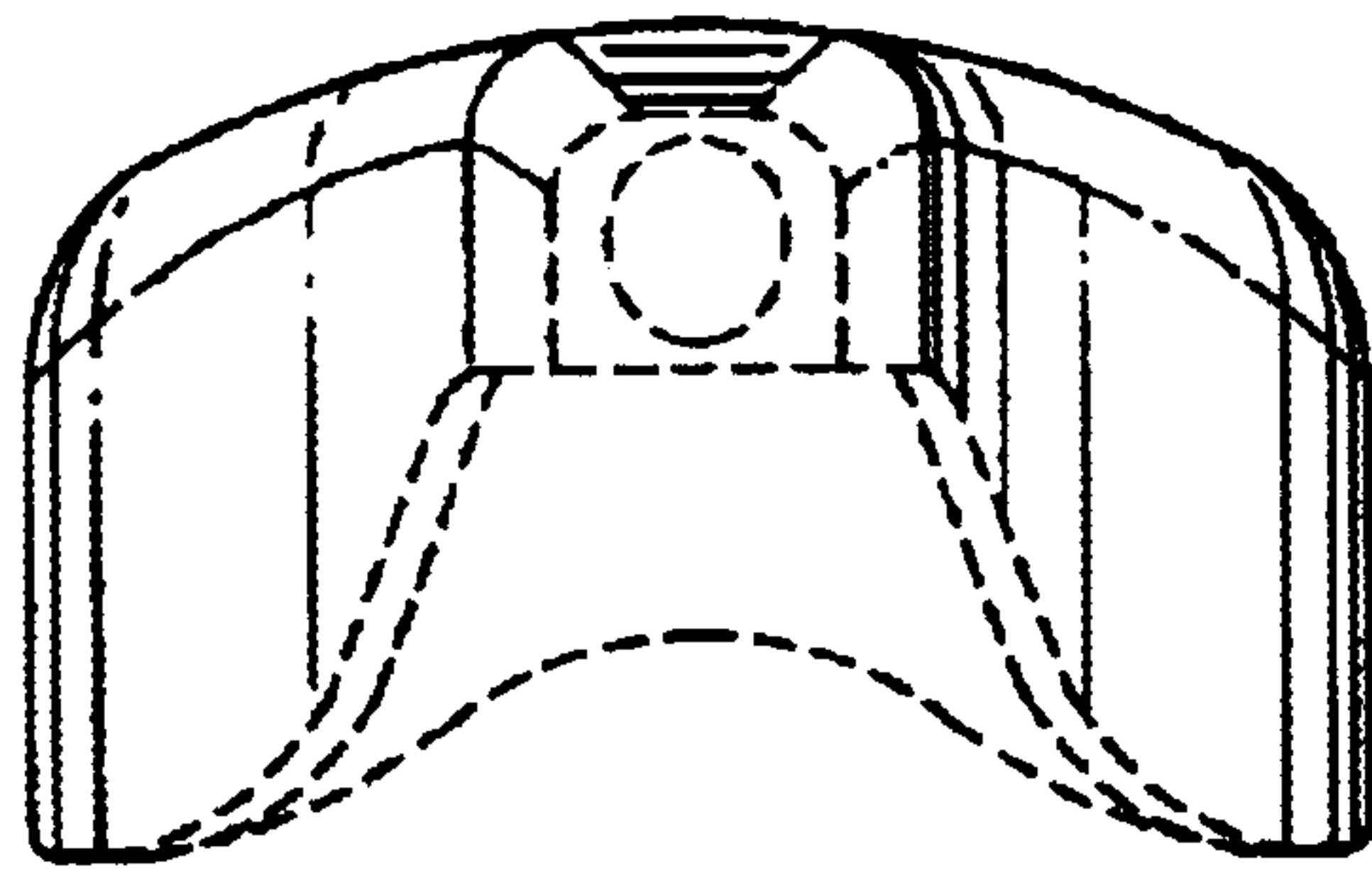


FIG. 9

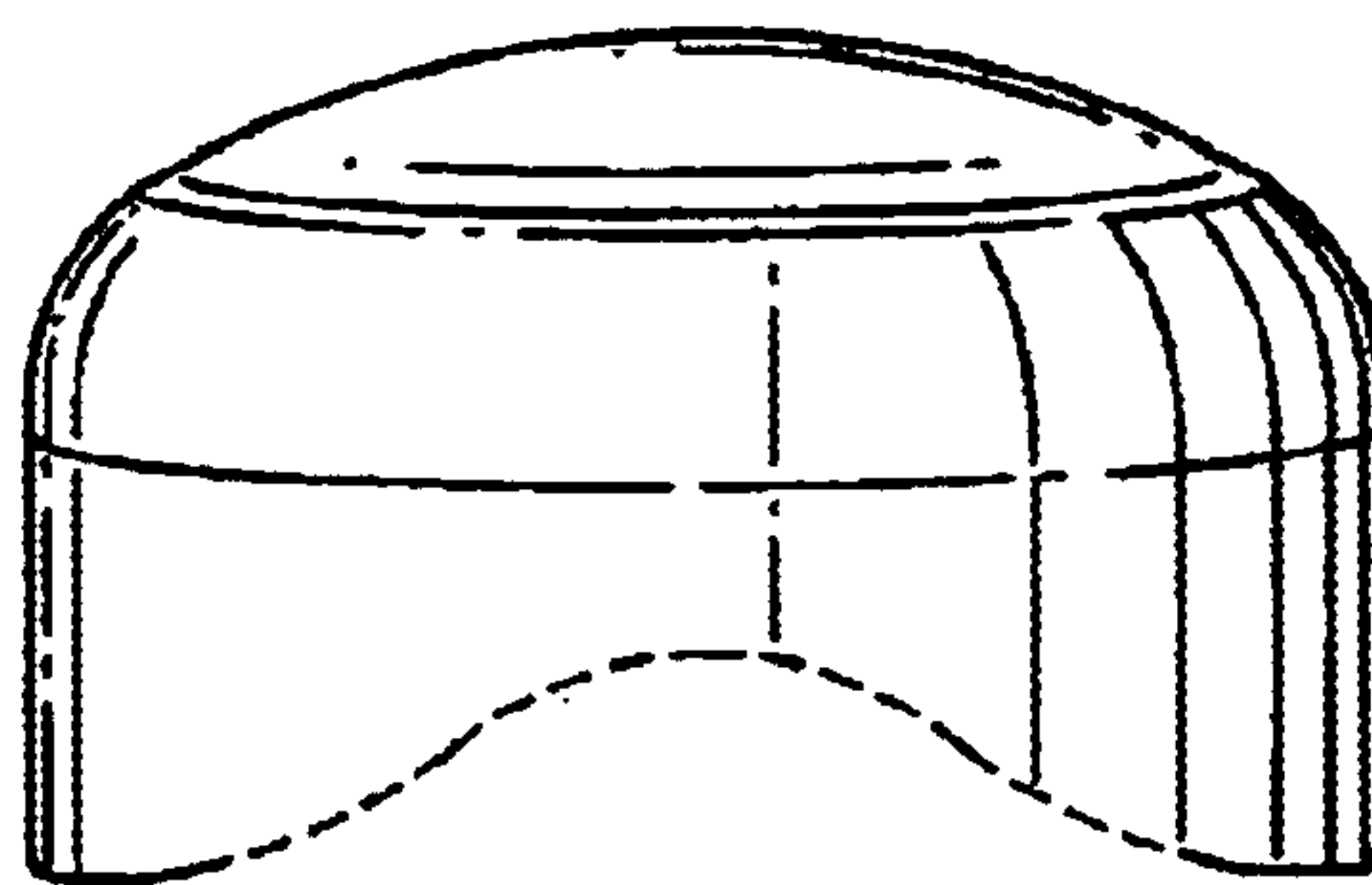


FIG. 10