

US00D499963S

(12) **United States Design Patent**  
**Church**

(10) **Patent No.:** **US D499,963 S**

(45) **Date of Patent:** **\*\* Dec. 21, 2004**

- (54) **SECURE LOCKING CONTAINER**
- (75) Inventor: **John R. Church**, Neshkoro, WI (US)
- (73) Assignee: **Creative Forming Inc.**, Ripon, WI (US)
- (\*\*) Term: **14 Years**
- (21) Appl. No.: **29/189,504**
- (22) Filed: **Sep. 4, 2003**
- (51) **LOC (7) Cl.** ..... **09-03**
- (52) **U.S. Cl.** ..... **D9/415**
- (58) **Field of Search** ..... D9/415, 418, 457, D9/346, 414; 206/461-471, 495, 806, 477, 525, 457, 489.5

- 6,401,921 B1 \* 6/2002 Usami ..... 206/349
- D463,741 S \* 10/2002 Green ..... D9/415
- 6,571,953 B2 \* 6/2003 Sherline et al. .... 206/459.5

\* cited by examiner

*Primary Examiner*—Prabhakar Deshmukh  
(74) *Attorney, Agent, or Firm*—Andrus, Scealess, Starke & Sawall, LLP

(57) **CLAIM**

The ornamental design of a secure locking container, as shown and described.

**DESCRIPTION**

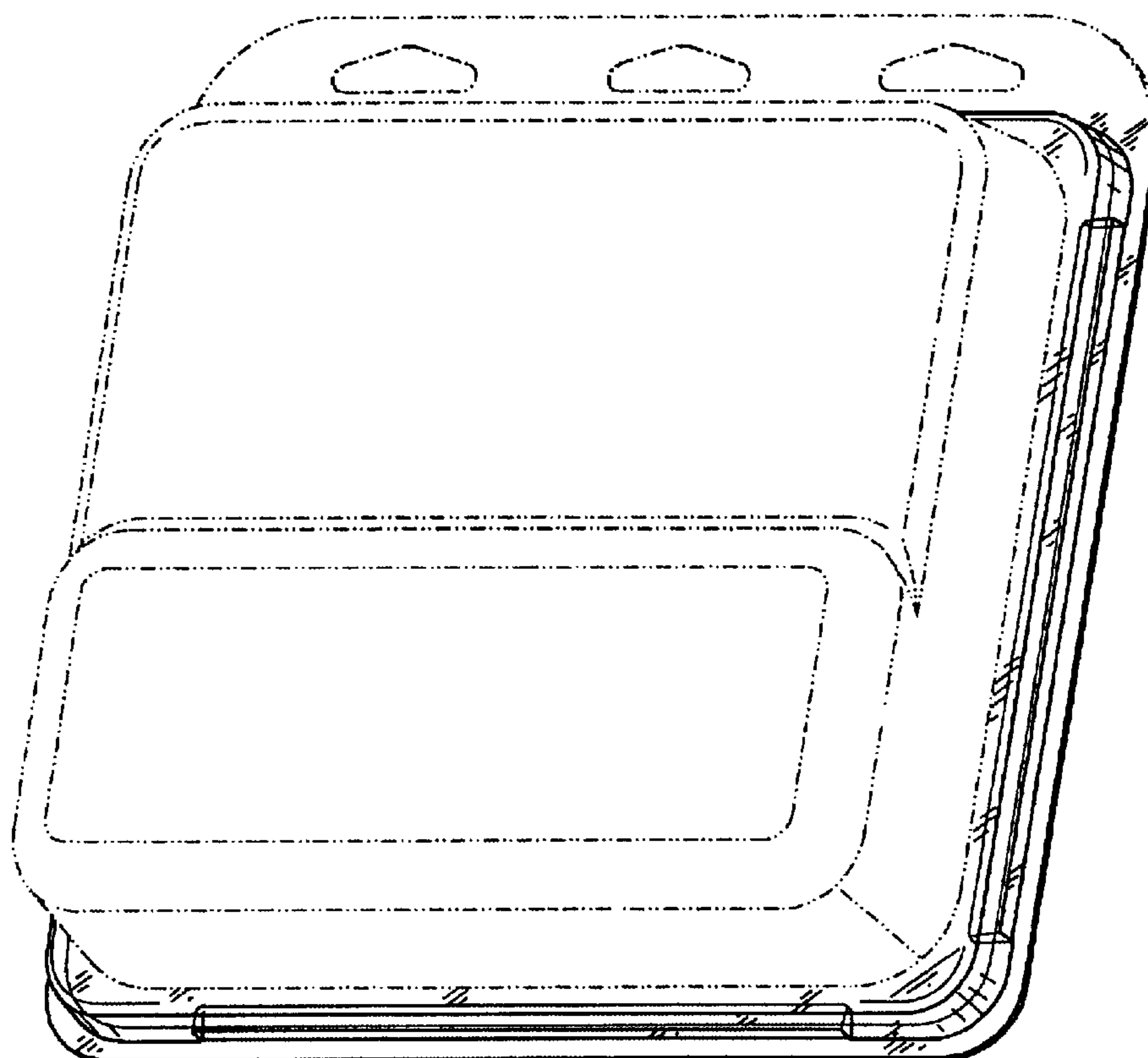
FIG. 1 is an isometric top view of a secure locking container incorporating my new design;  
FIG. 2 is an isometric bottom view thereof;  
FIG. 3 is a bottom plan view thereof;  
FIG. 4 is a front elevation view thereof;  
FIG. 5 is on a top plan view thereof;  
FIG. 6 is a rear elevation view thereof; and,  
FIG. 7 is a right side elevation view thereof, the left side elevation being a mirror image.  
The broken lines, which define the bounds of claim, are not part of the claimed design.

(56) **References Cited**

**U.S. PATENT DOCUMENTS**

- 3,394,802 A \* 7/1968 Hershaft ..... 206/457
- 4,408,693 A \* 10/1983 Brewaeys et al. .... 206/461
- D280,387 S \* 9/1985 Morgan ..... D9/415
- D438,104 S \* 2/2001 Hacker et al. .... D9/415
- 6,216,866 B1 \* 4/2001 Schoenberg ..... 206/320
- D447,937 S \* 9/2001 Tsuruishi et al. .... D9/415
- D451,382 S \* 12/2001 Adkins ..... D9/415

**1 Claim, 5 Drawing Sheets**



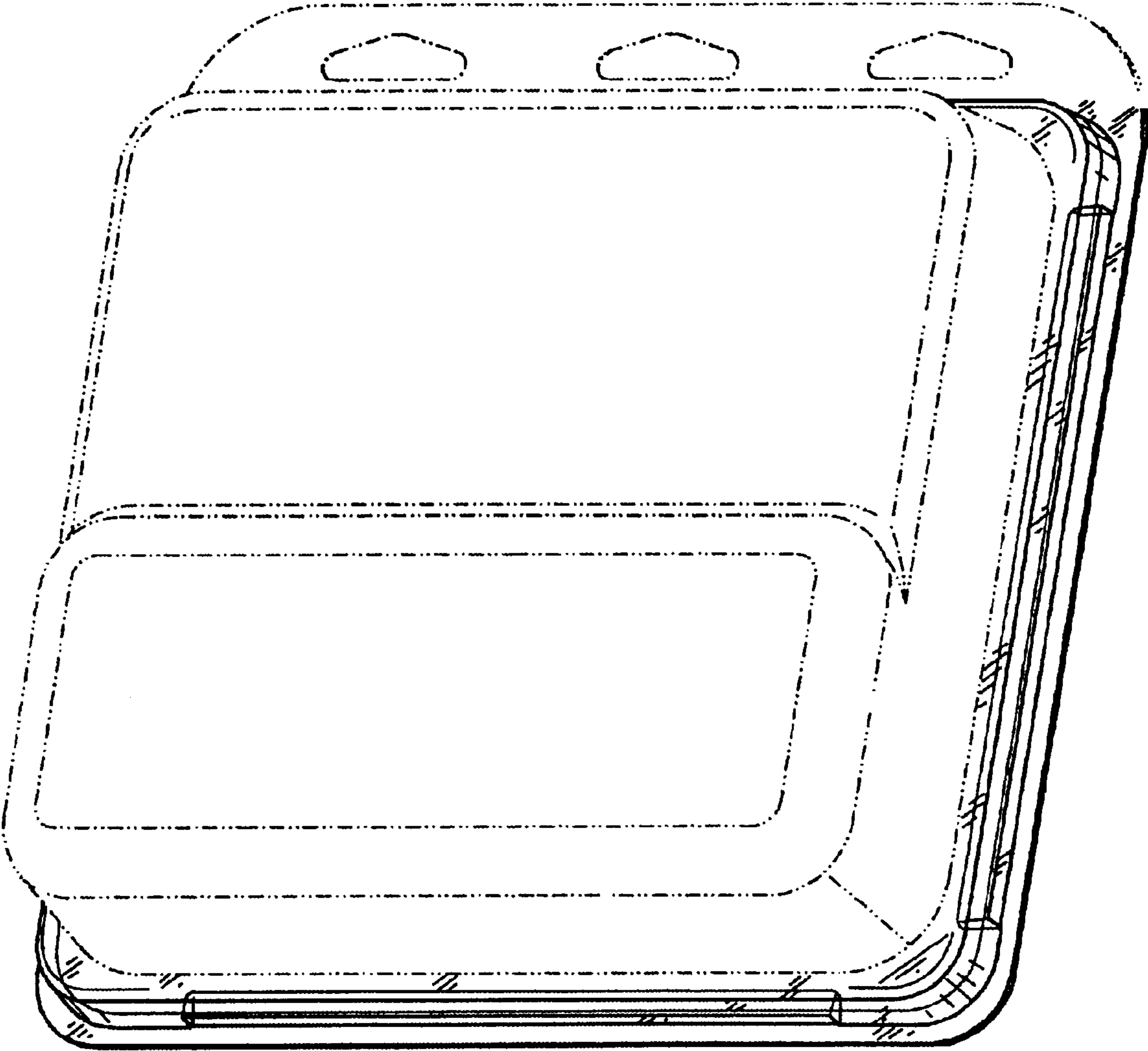


FIG. 1

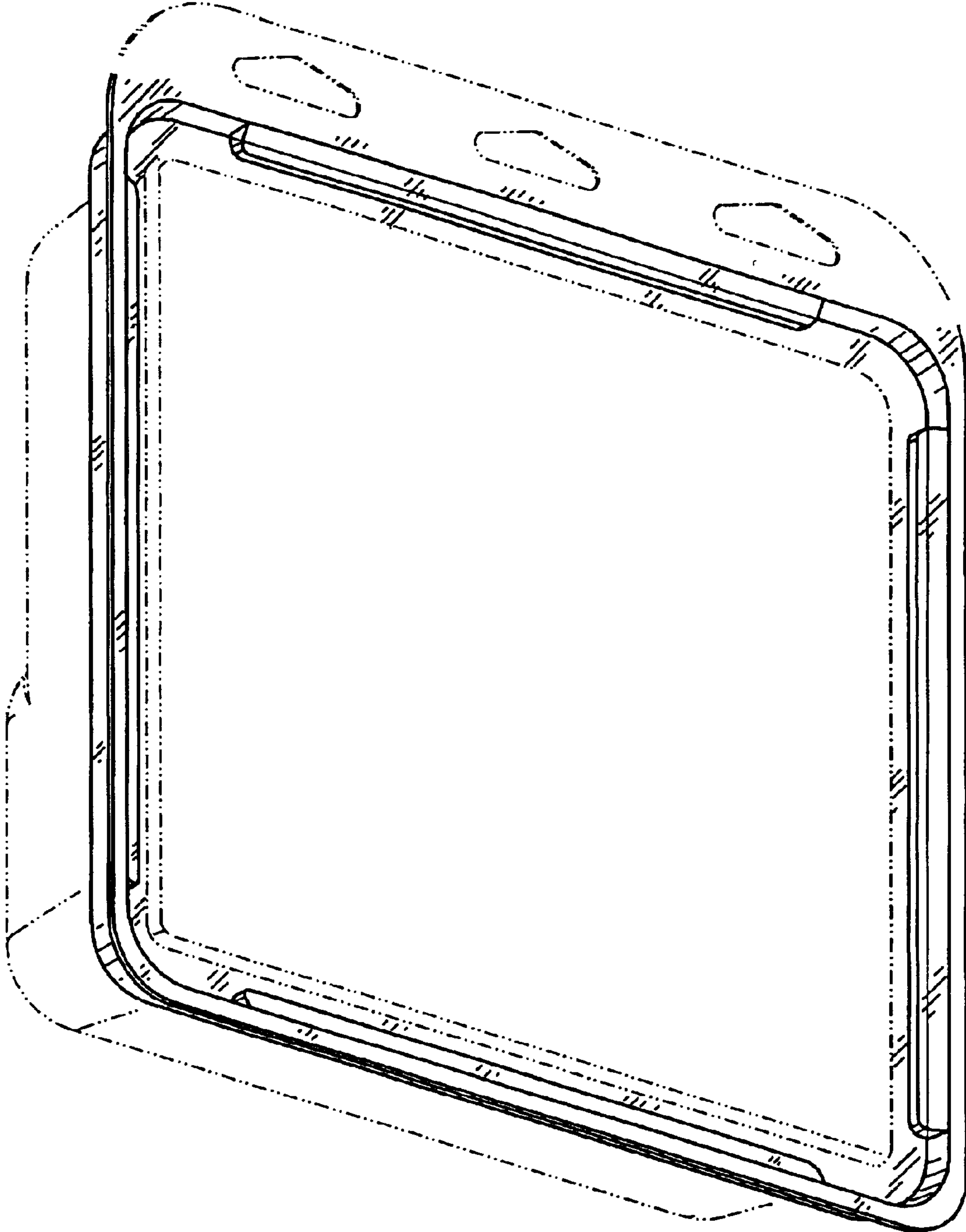


FIG. 2

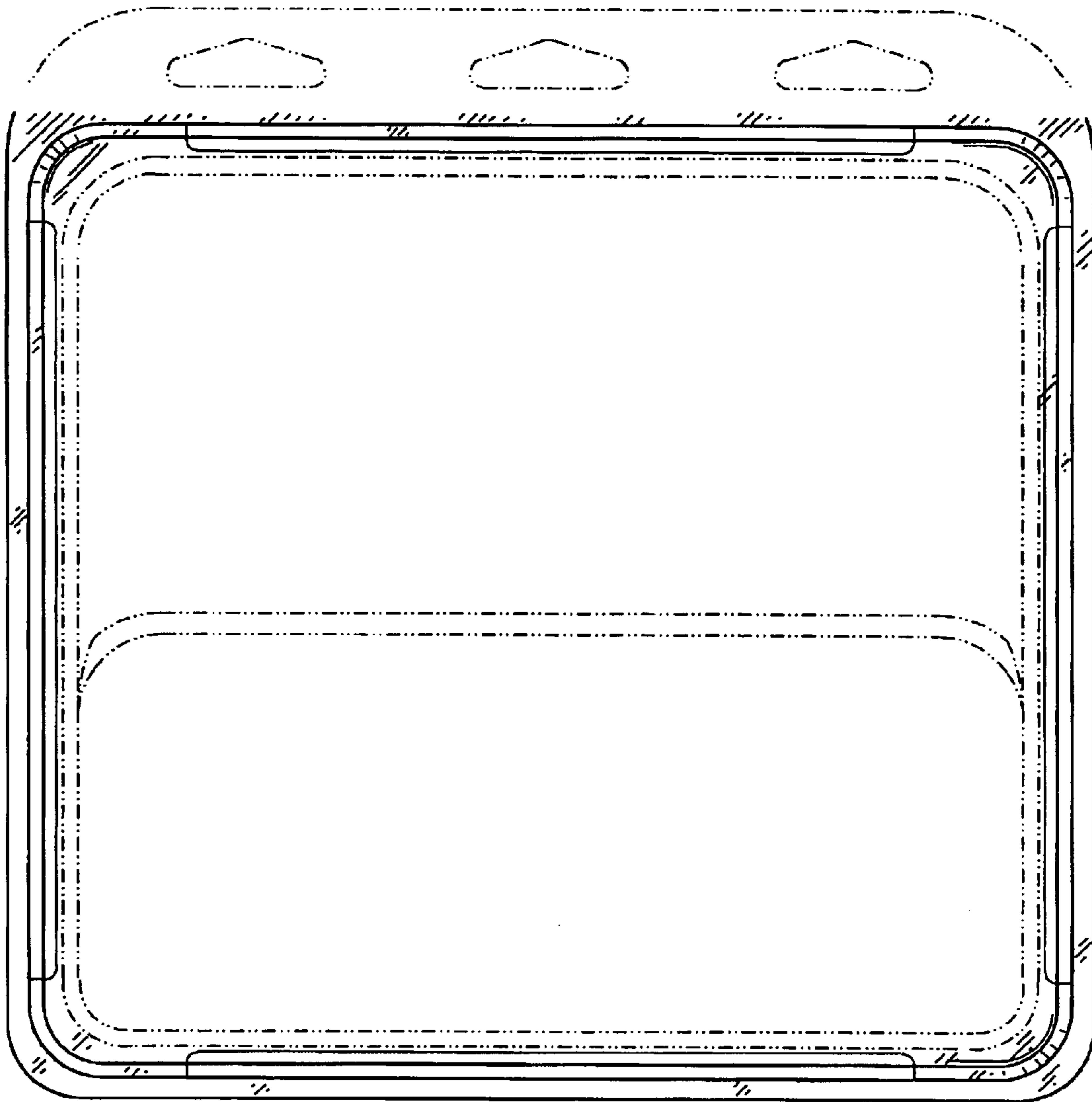


FIG. 3

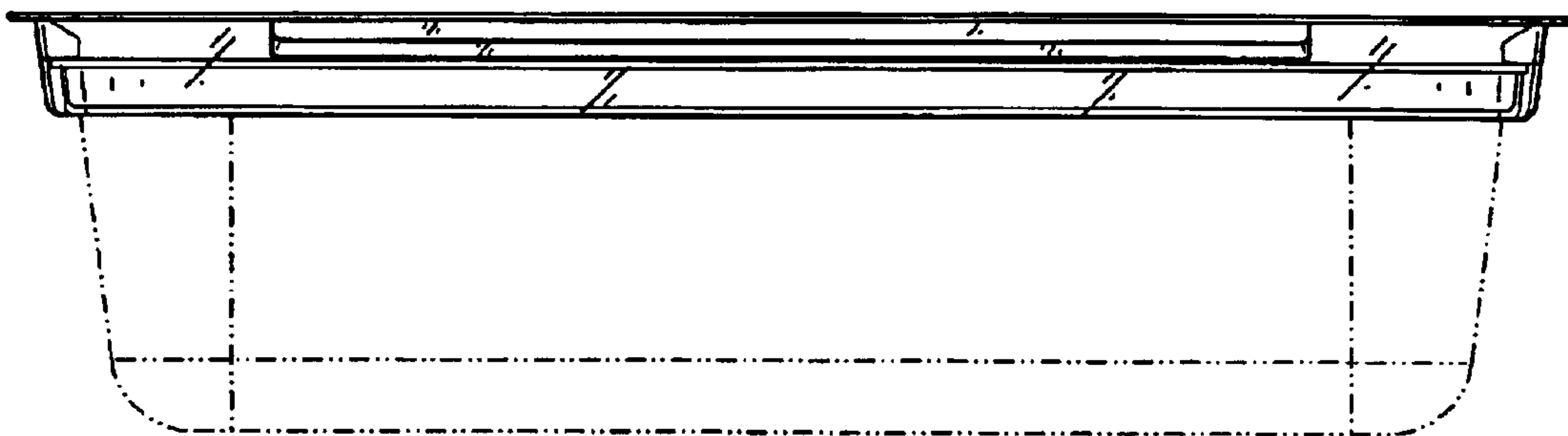


FIG. 4

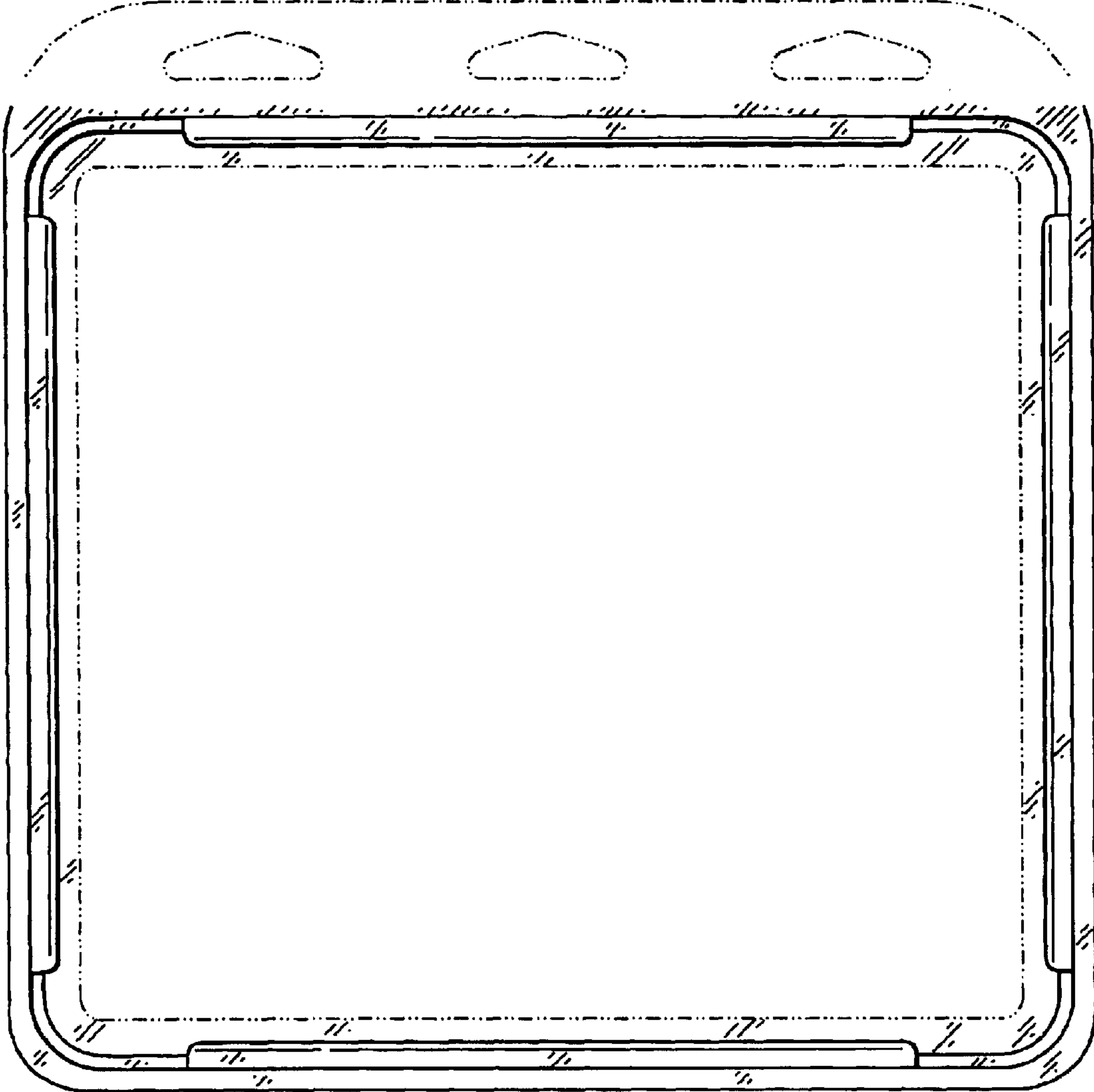


FIG. 5

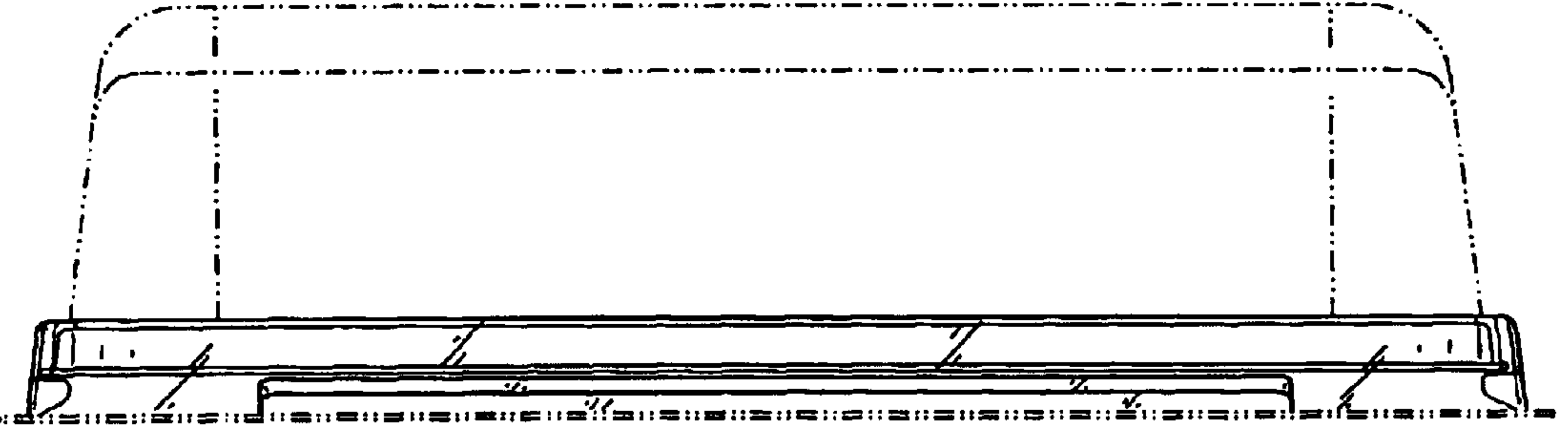


FIG. 6



FIG. 7