



US00D499962S

(12) **United States Design Patent** (10) **Patent No.:** **US D499,962 S**
Lee et al. (45) **Date of Patent:** **** Dec. 21, 2004**

(54) **AA/AAA MULTI-POWER CELL DISPLAY PACKAGE**

(75) Inventors: **Kendrew Lee**, Fremont, CA (US); **Tan Bo Jun**, Jiangmen (CN)

(73) Assignee: **Monster, LLC**, Las Vegas, NV (US)

(**) Term: **14 Years**

(21) Appl. No.: **29/172,541**

(22) Filed: **Dec. 13, 2002**
(Under 37 CFR 1.47)

(51) **LOC (7) Cl.** **09-03**

(52) **U.S. Cl.** **D9/415**

(58) **Field of Search** D9/415, 418, 414,
D9/346; 206/461-471, 702-708, 806; 224/902

(56) **References Cited**

U.S. PATENT DOCUMENTS

| | | | | | |
|--------------|---|---------|------------------|-------|---------|
| D222,581 S | * | 11/1971 | Nakakuma | | D9/345 |
| D302,661 S | * | 8/1989 | Calcerano et al. | | D9/415 |
| 4,958,731 A | * | 9/1990 | Calcerano | | 206/705 |
| 5,429,233 A | * | 7/1995 | Juaristi | | 206/705 |
| 5,586,657 A | * | 12/1996 | Ward et al. | | 206/705 |
| 5,735,404 A | * | 4/1998 | Kumakura et al. | | 206/469 |
| D414,411 S | * | 9/1999 | Gaffney et al. | | D9/415 |
| D427,523 S | * | 7/2000 | Calcerano | | D9/415 |
| D432,009 S | * | 10/2000 | Pirro et al. | | D9/415 |
| 6,244,444 B1 | * | 6/2001 | Jacobus et al. | | 206/703 |
| D480,962 S | * | 10/2003 | Lee | | D9/415 |
| D480,963 S | * | 10/2003 | Lee | | D9/415 |

* cited by examiner

Primary Examiner—Prabhakar Deshmukh

(74) *Attorney, Agent, or Firm*—LaRiviere, Grubman & Payne, LLP

(57) **CLAIM**

The ornamental design for an AA/AAA multi-power cell display package, as shown and described.

DESCRIPTION

A portion of the disclosure of this design patent document contains material which is subject to copyright protection.

The copyright owner has no objection to the facsimile reproduction by anyone of the patent document of the patent disclosure, as it appears in the U.S. Patent and Trademark Office patent files or records, but otherwise reserves all rights under the copyright laws of the United States (17 U.S.C. § 106).

FIG. 1 is a front perspective view of a AA/AAA multi-power cell display package showing our new design;

FIG. 2 is a rear perspective view thereof;

FIG. 3 is an exploded front elevational view thereof;

FIG. 4 is an exploded rear elevational view thereof;

FIG. 5 is an exploded top plan view thereof;

FIG. 6 is an exploded bottom plan view thereof;

FIG. 7 is an exploded right side elevational view thereof, the left side elevational view being a mirror image thereof.

FIG. 8 is a front perspective view of a second embodiment of FIG. 1;

FIG. 9 is a rear perspective view of FIG. 8;

FIG. 10 is an exploded front elevational view of FIG. 8;

FIG. 11 is an exploded rear elevational view of FIG. 8;

FIG. 12 is an exploded top plan view of FIG. 8;

FIG. 13 is an exploded bottom plan view of FIG. 8;

FIG. 14 is an exploded right side elevational view of FIG. 8, the left side elevational view being a mirror image thereof;

FIG. 15 is a front perspective view of a third embodiment of FIG. 1;

FIG. 16 is a rear perspective view of FIG. 15;

FIG. 17 is an exploded front elevational view of FIG. 15;

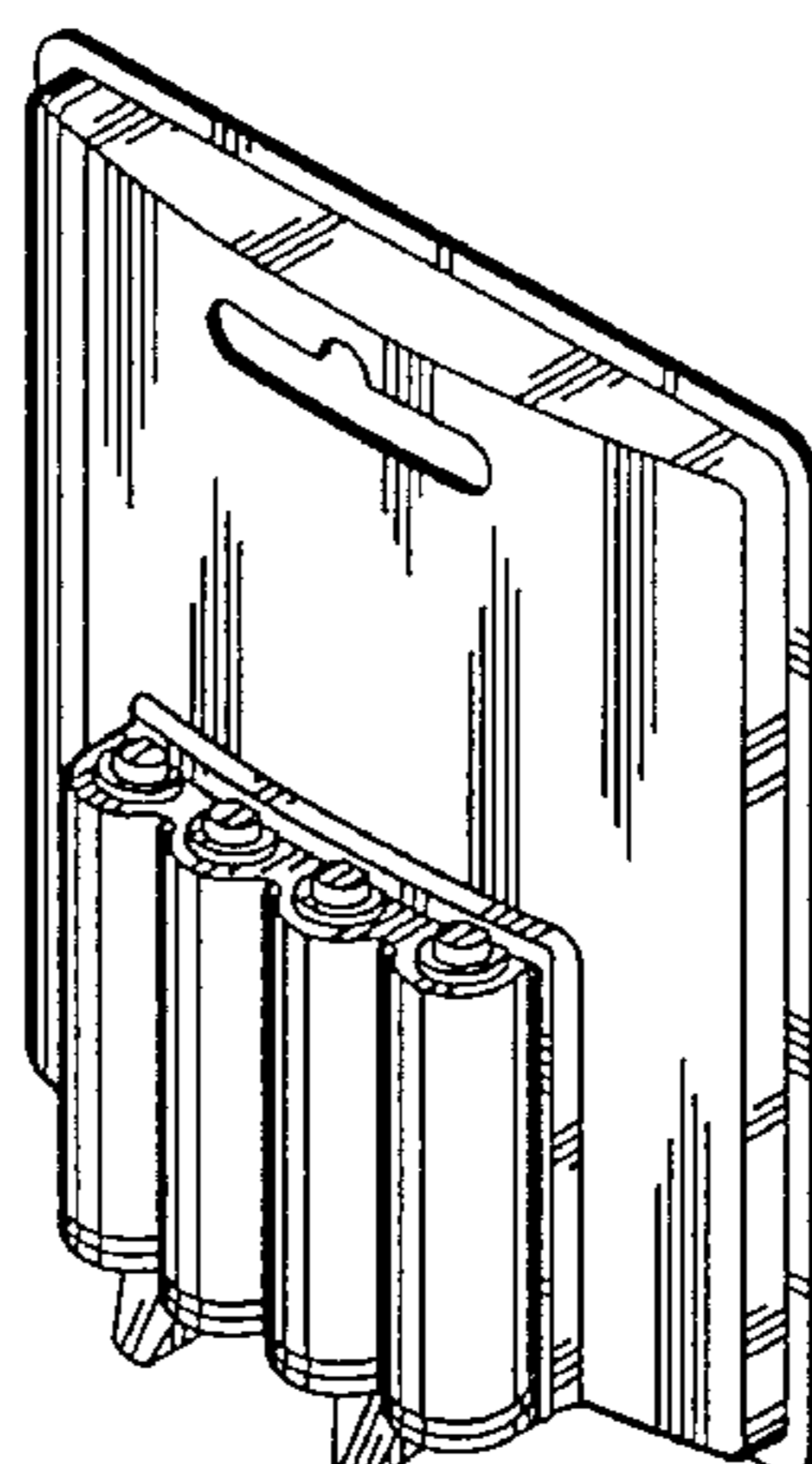
FIG. 18 is an exploded rear elevational view of FIG. 15;

FIG. 19 is an exploded top plan view of FIG. 15;

FIG. 20 is an exploded bottom plan view of FIG. 15; and,

FIG. 21 is an exploded right side elevational view of FIG. 15, the left side elevational view being a mirror image thereof.

1 Claim, 12 Drawing Sheets



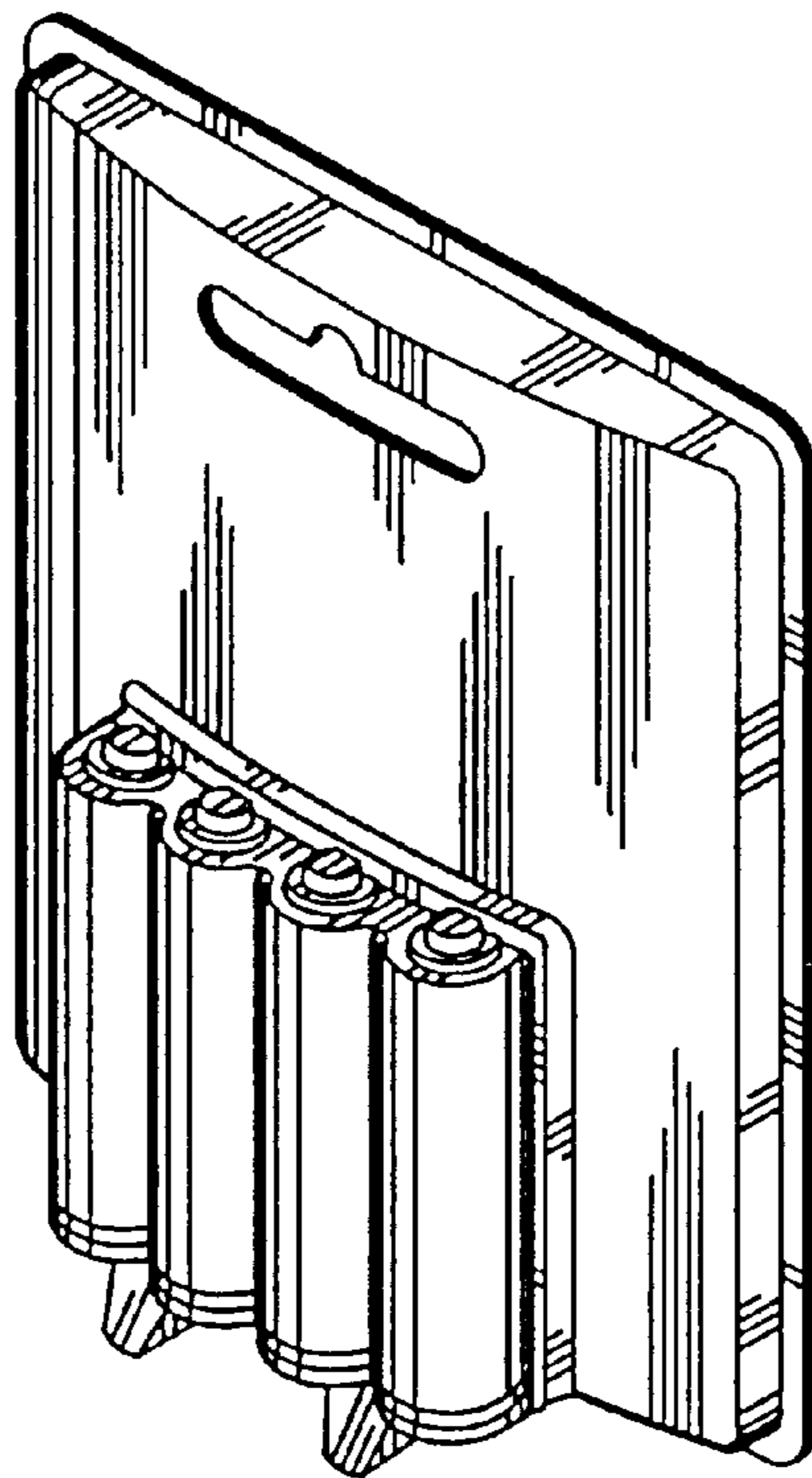


Figure 1

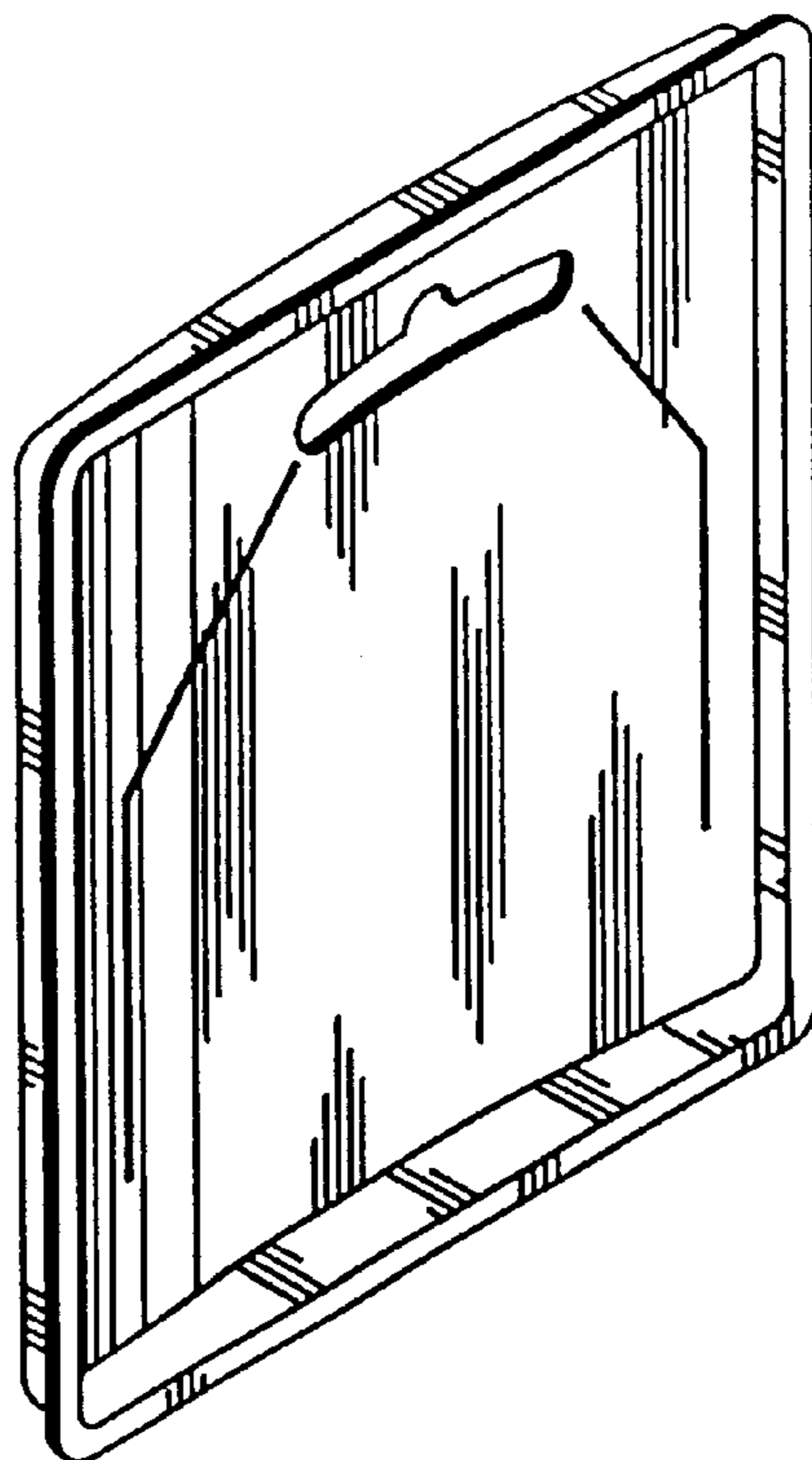


Figure 2

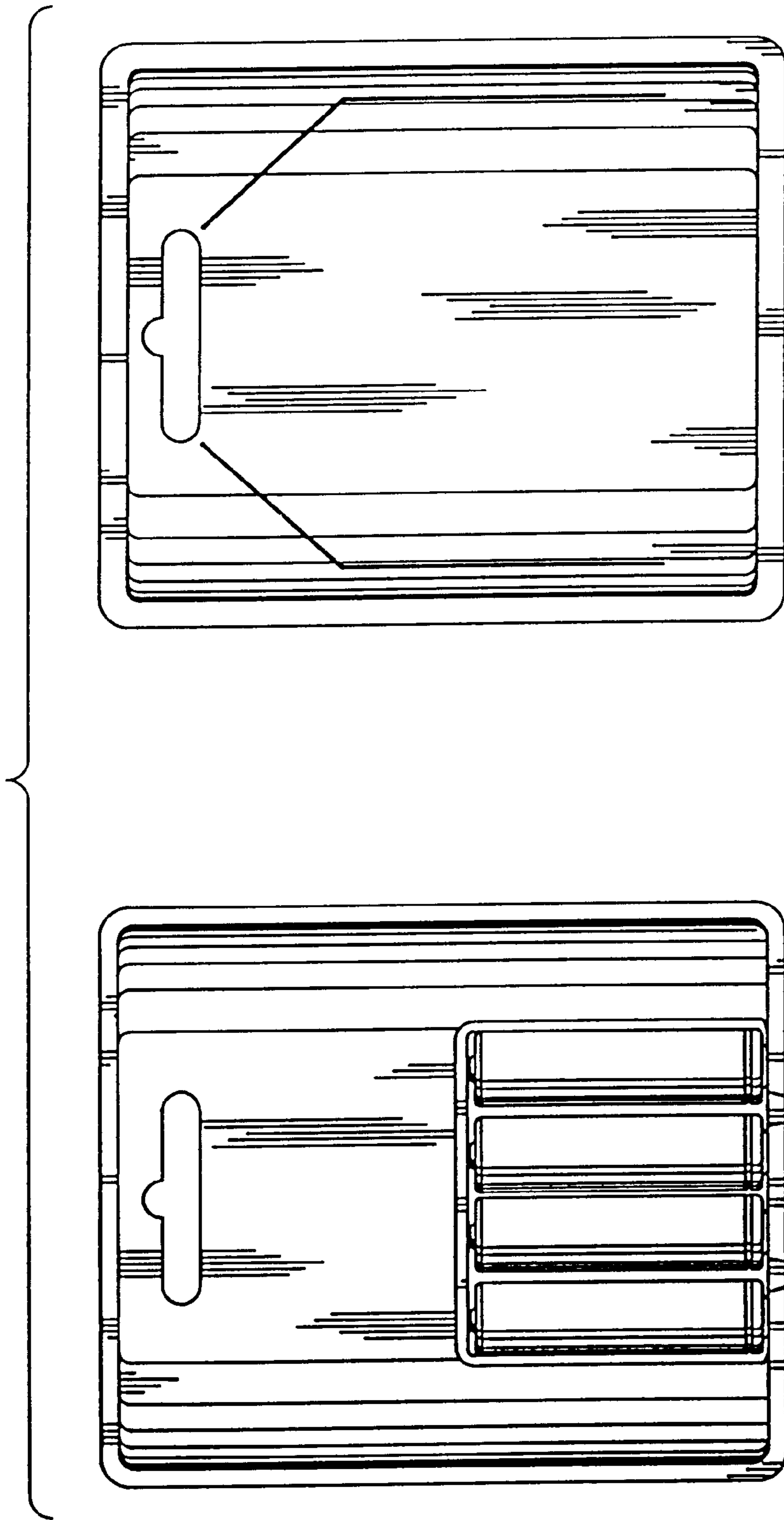


Figure 3

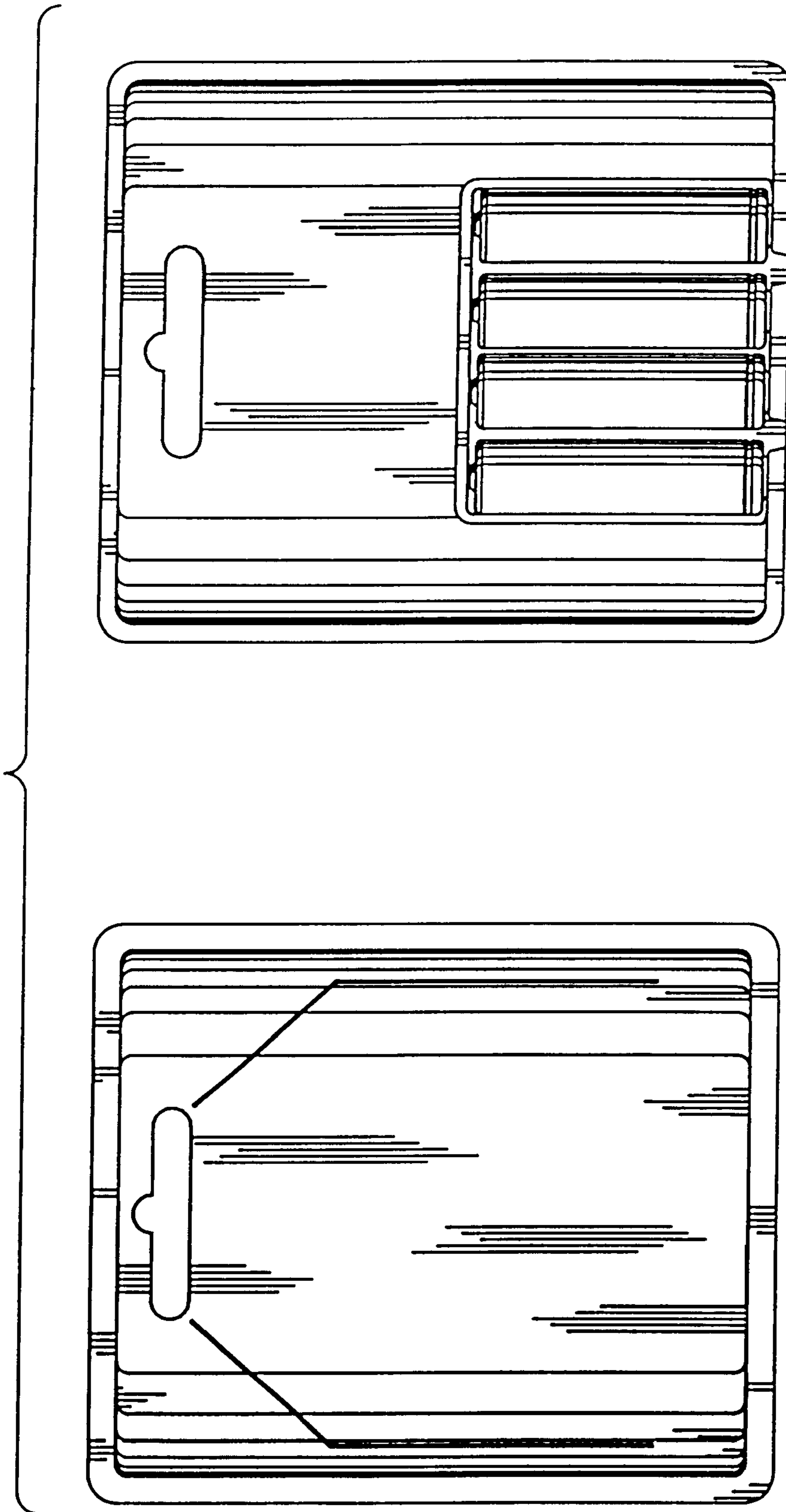


Figure 4

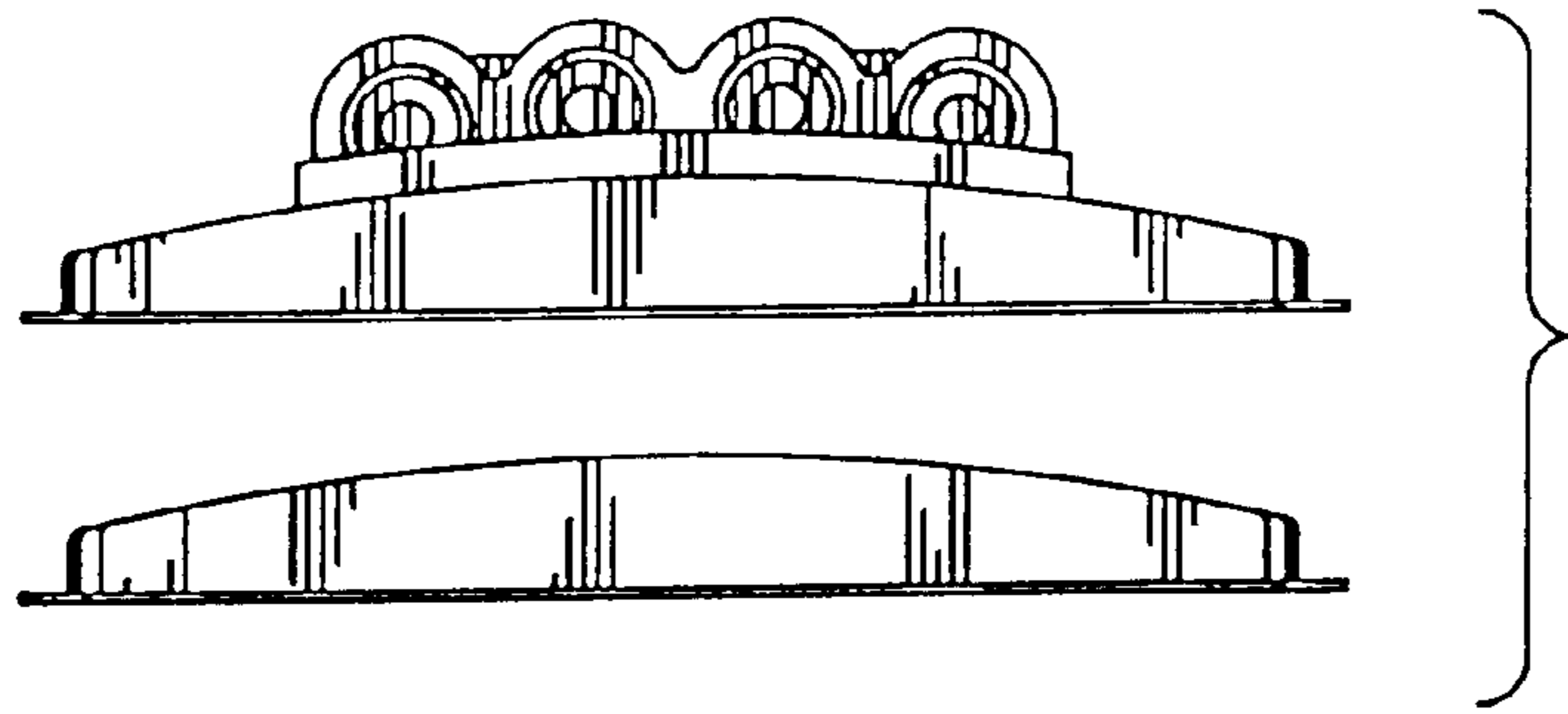


Figure 5

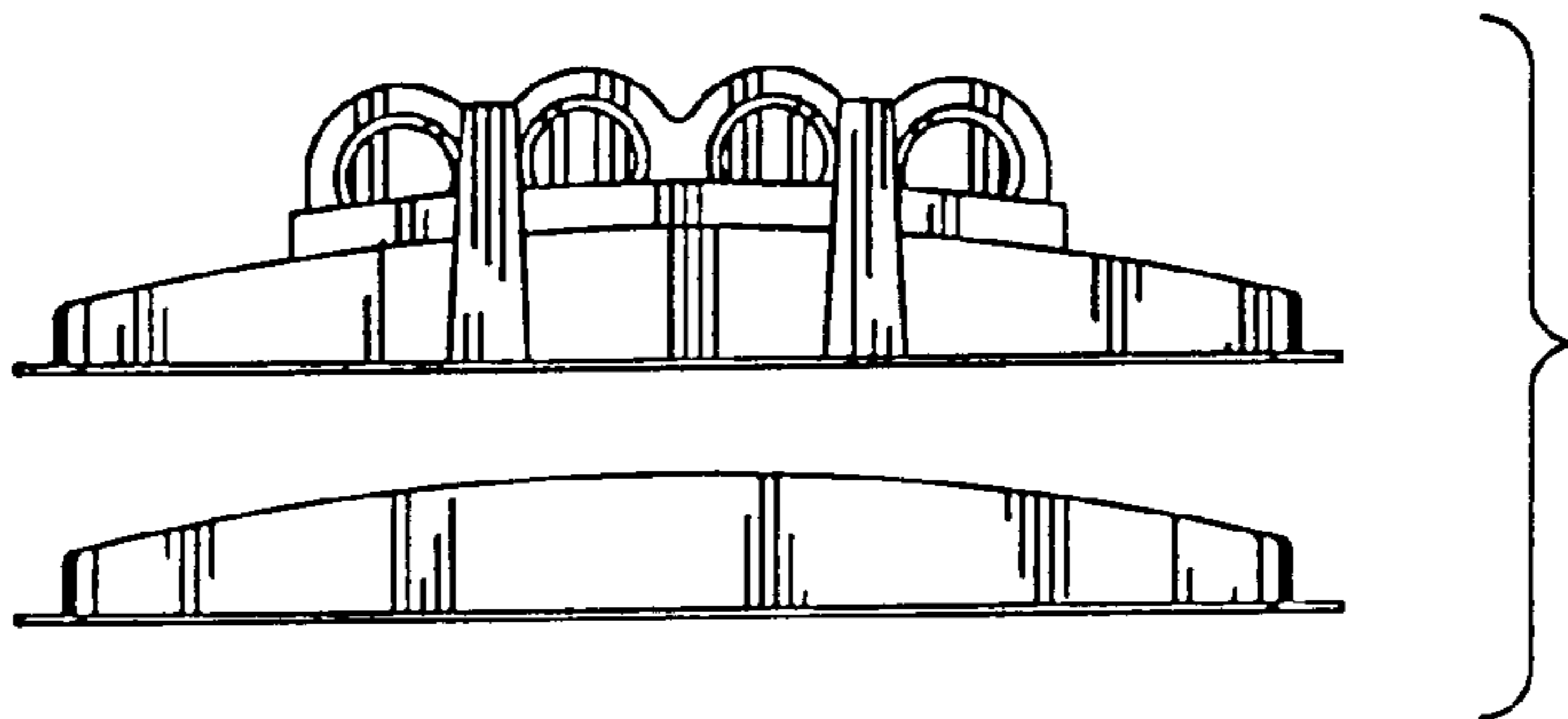


Figure 6

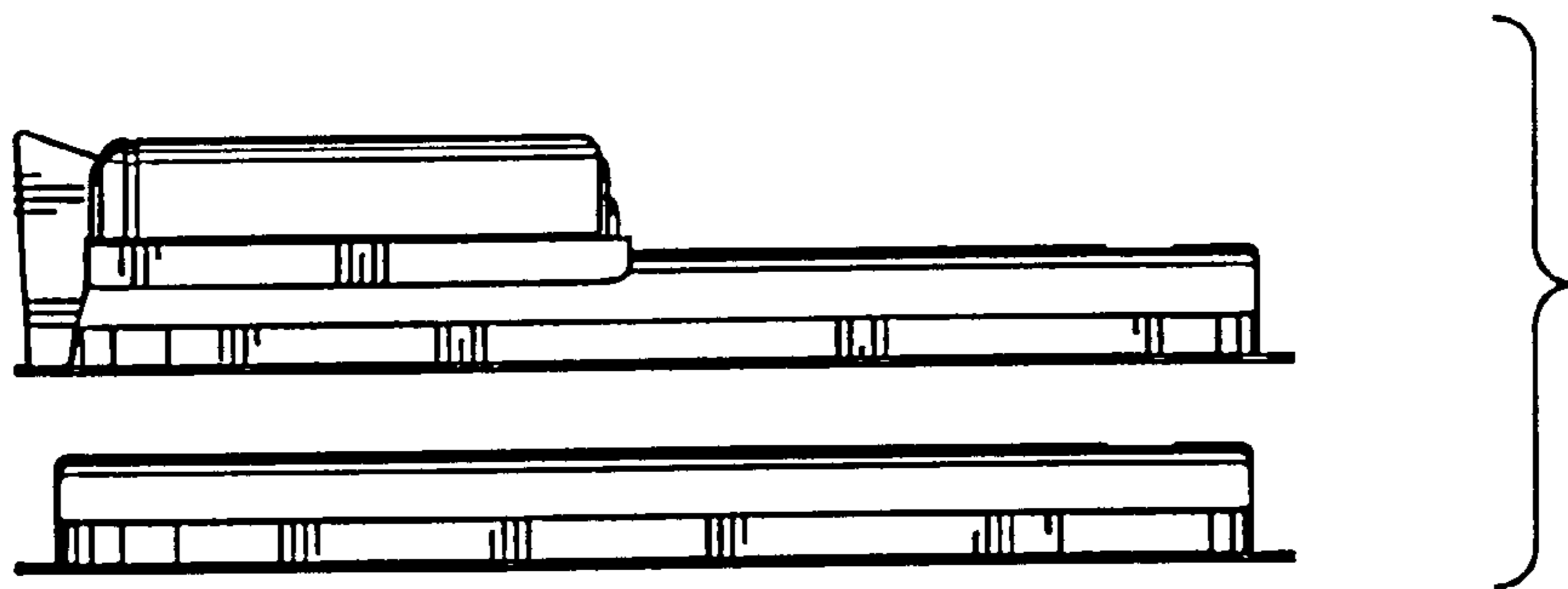


Figure 7

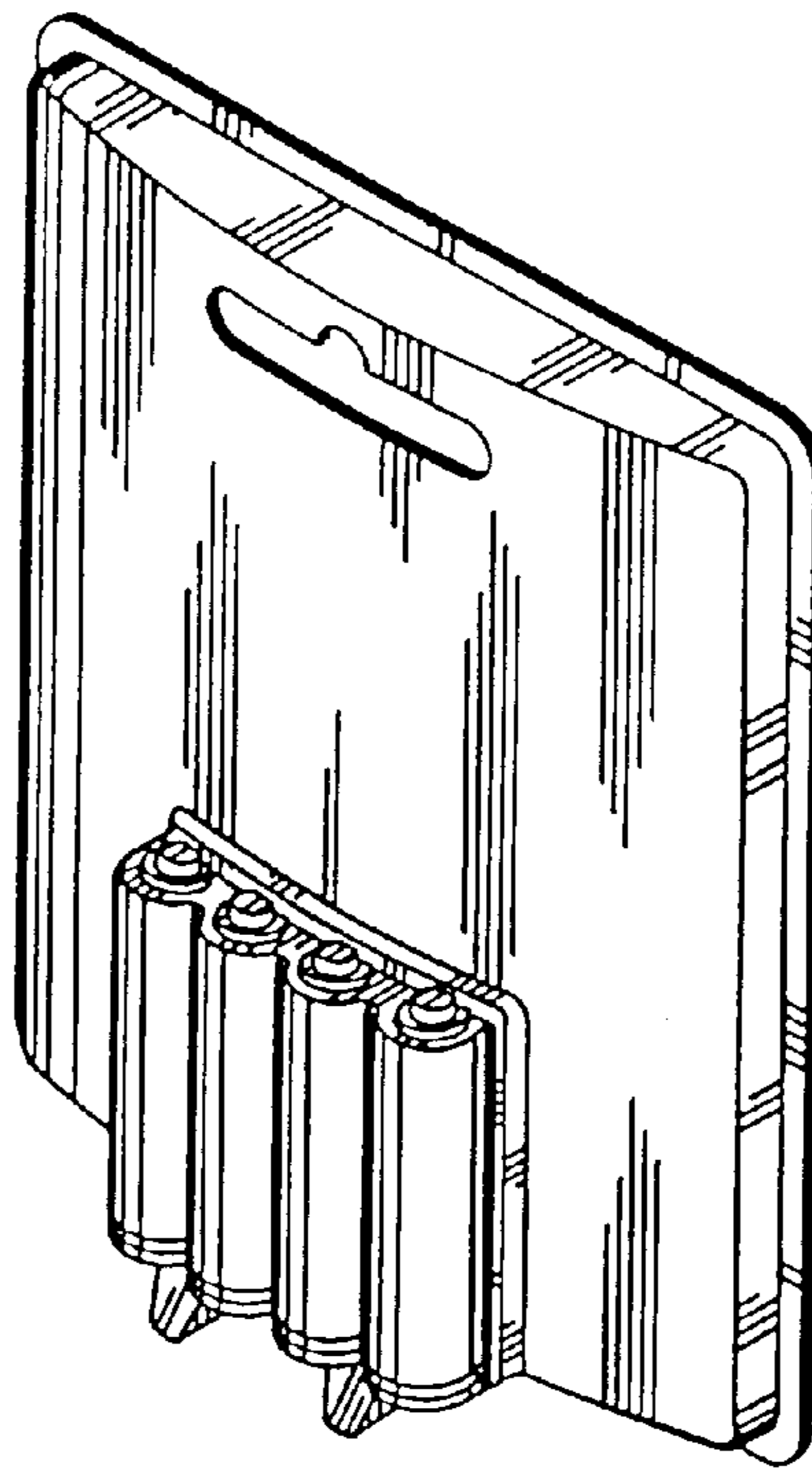


Figure 8

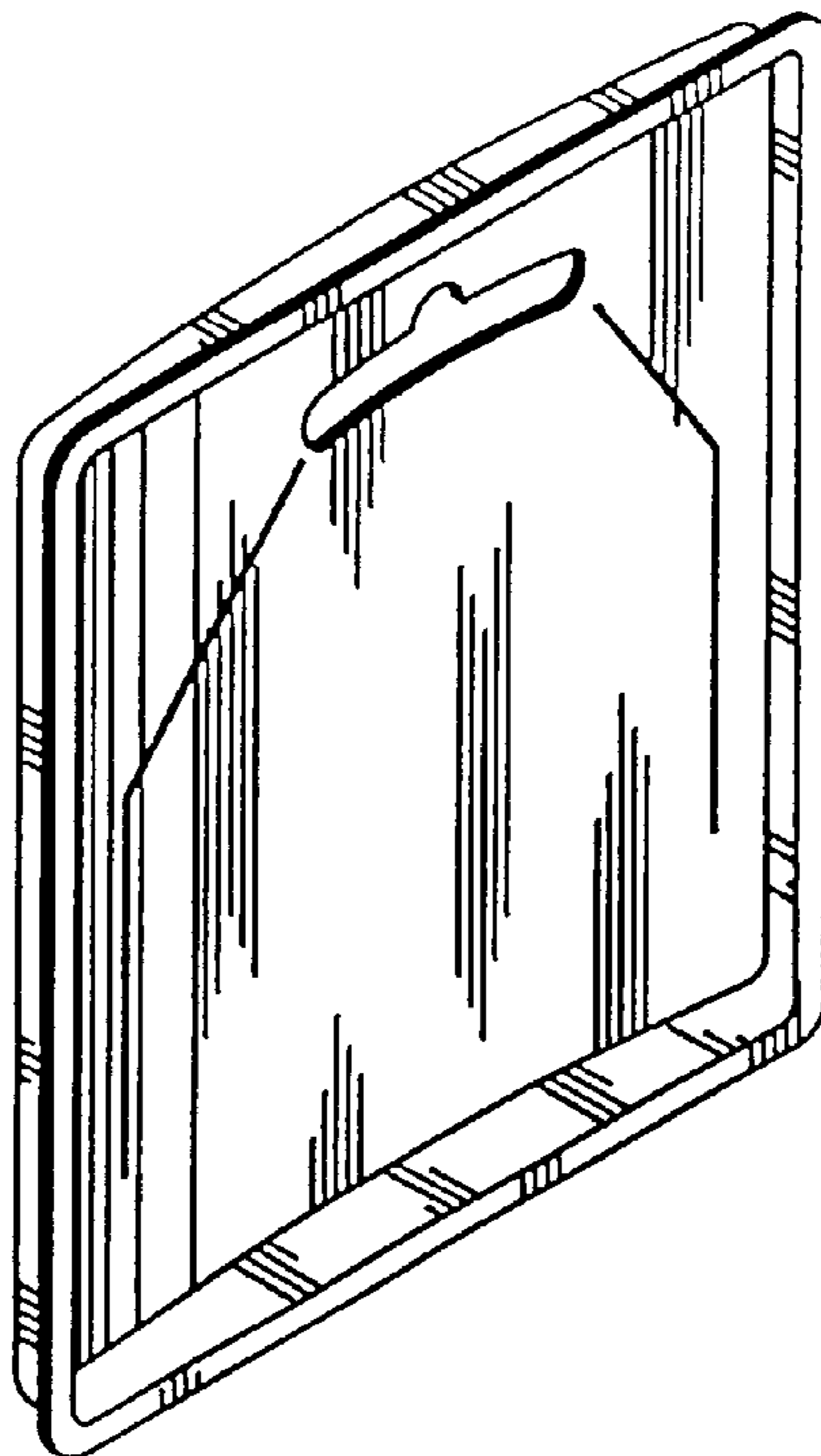


Figure 9

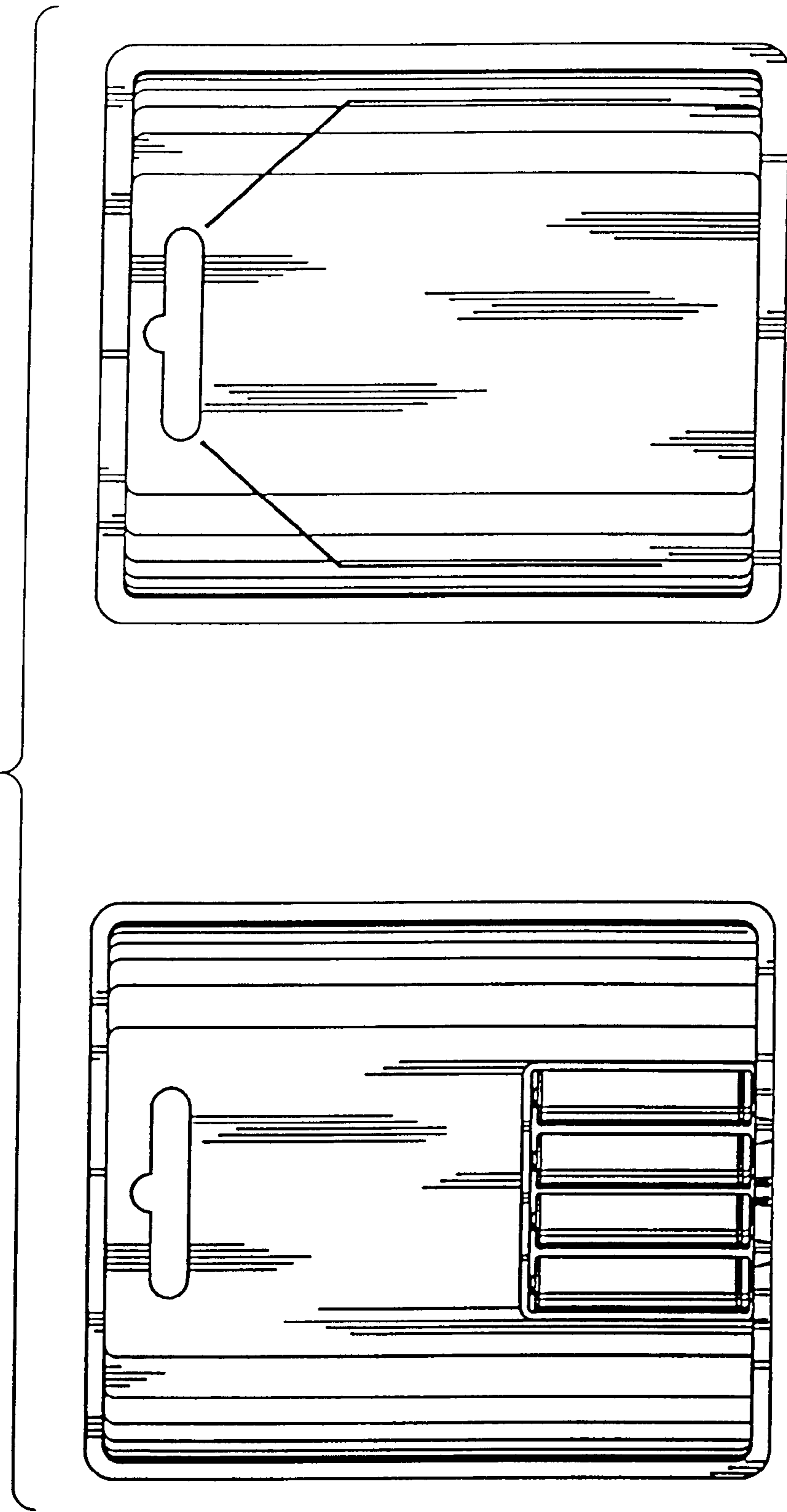


Figure 10

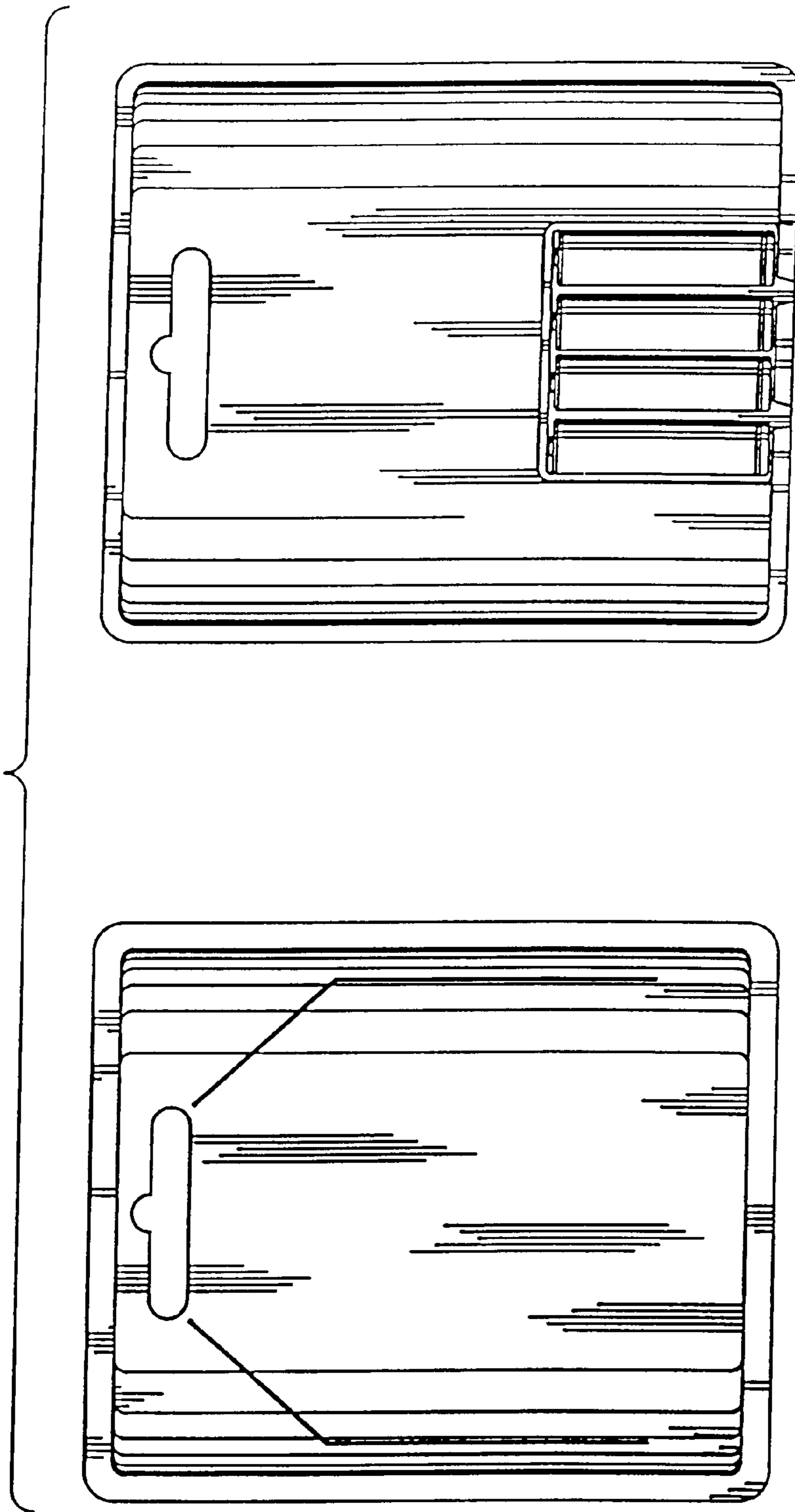


Figure 11

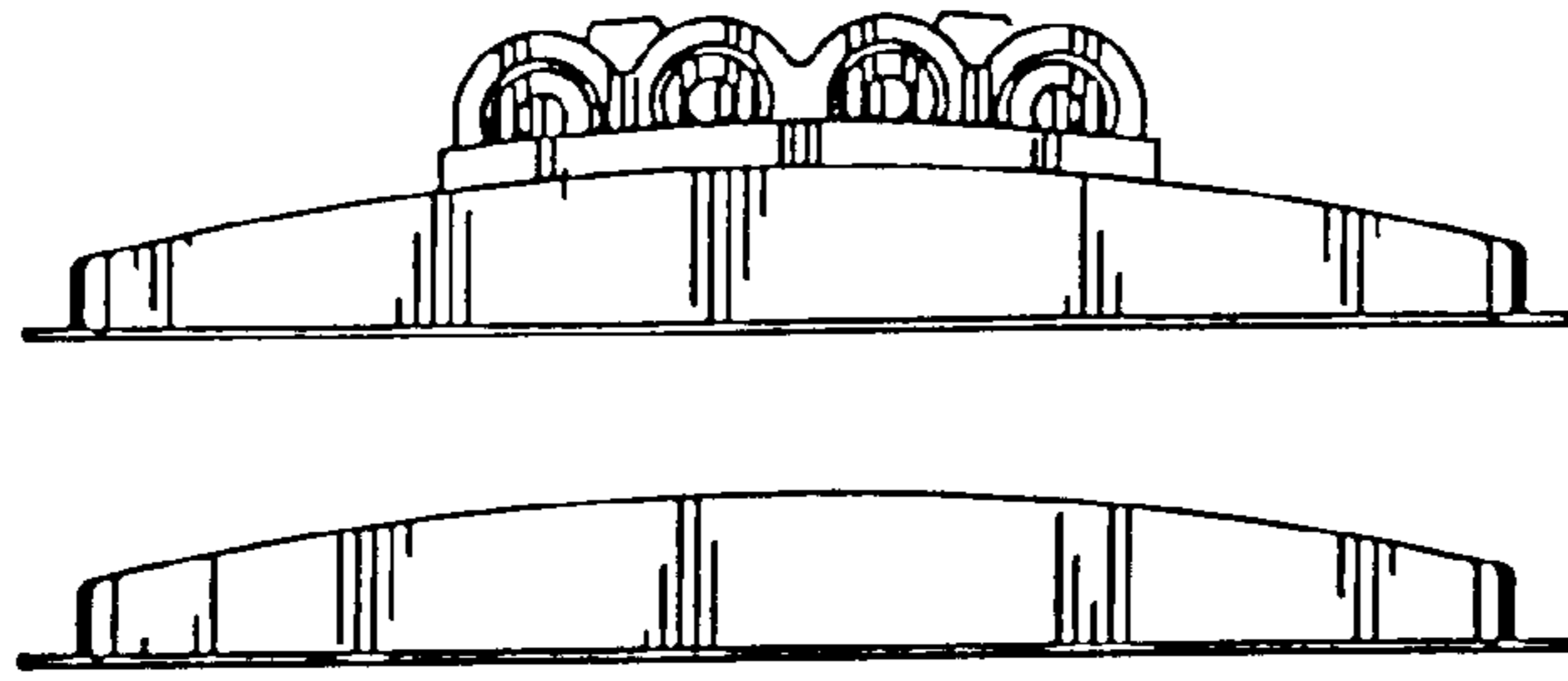


Figure 12

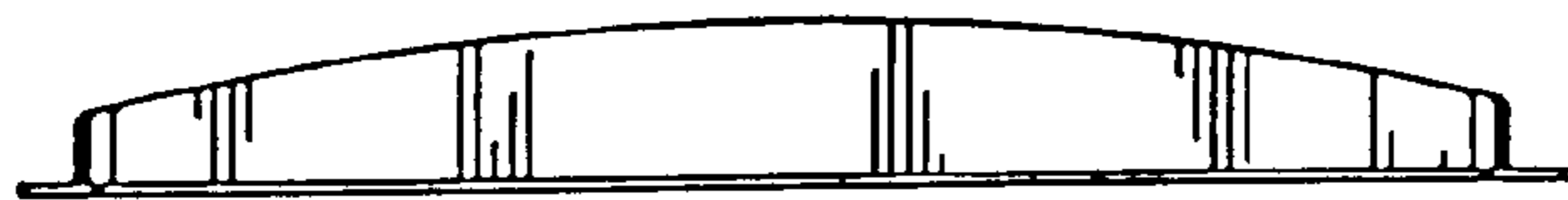
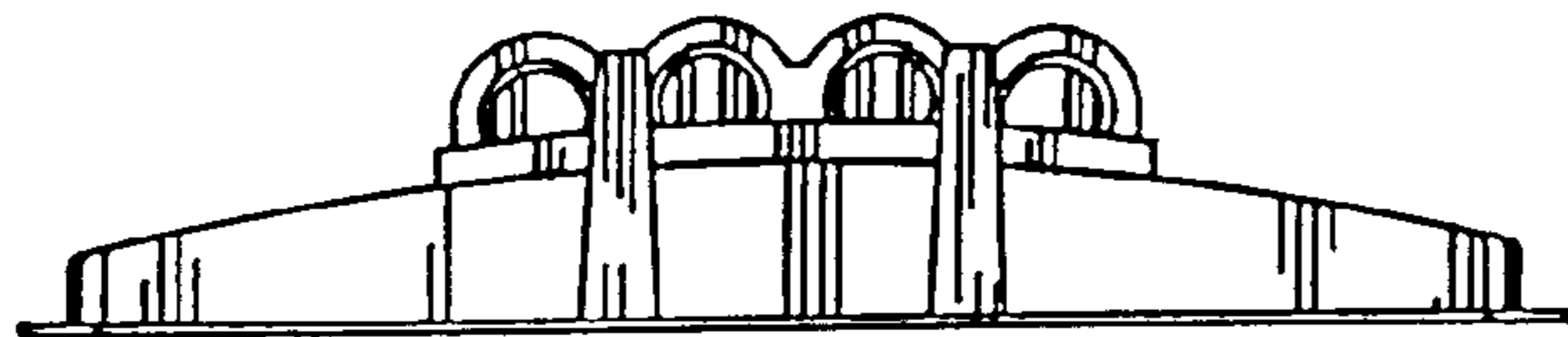


Figure 13

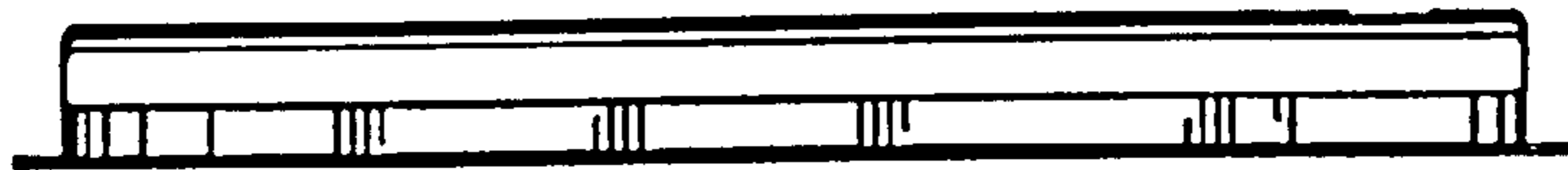
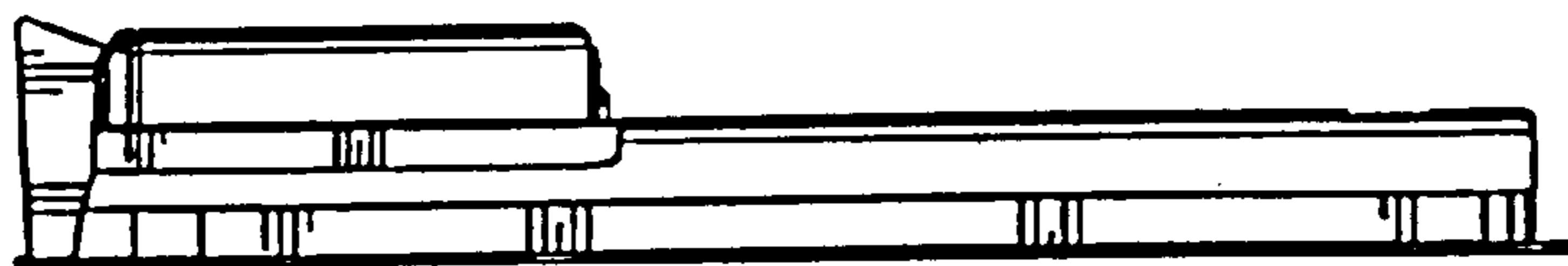


Figure 14

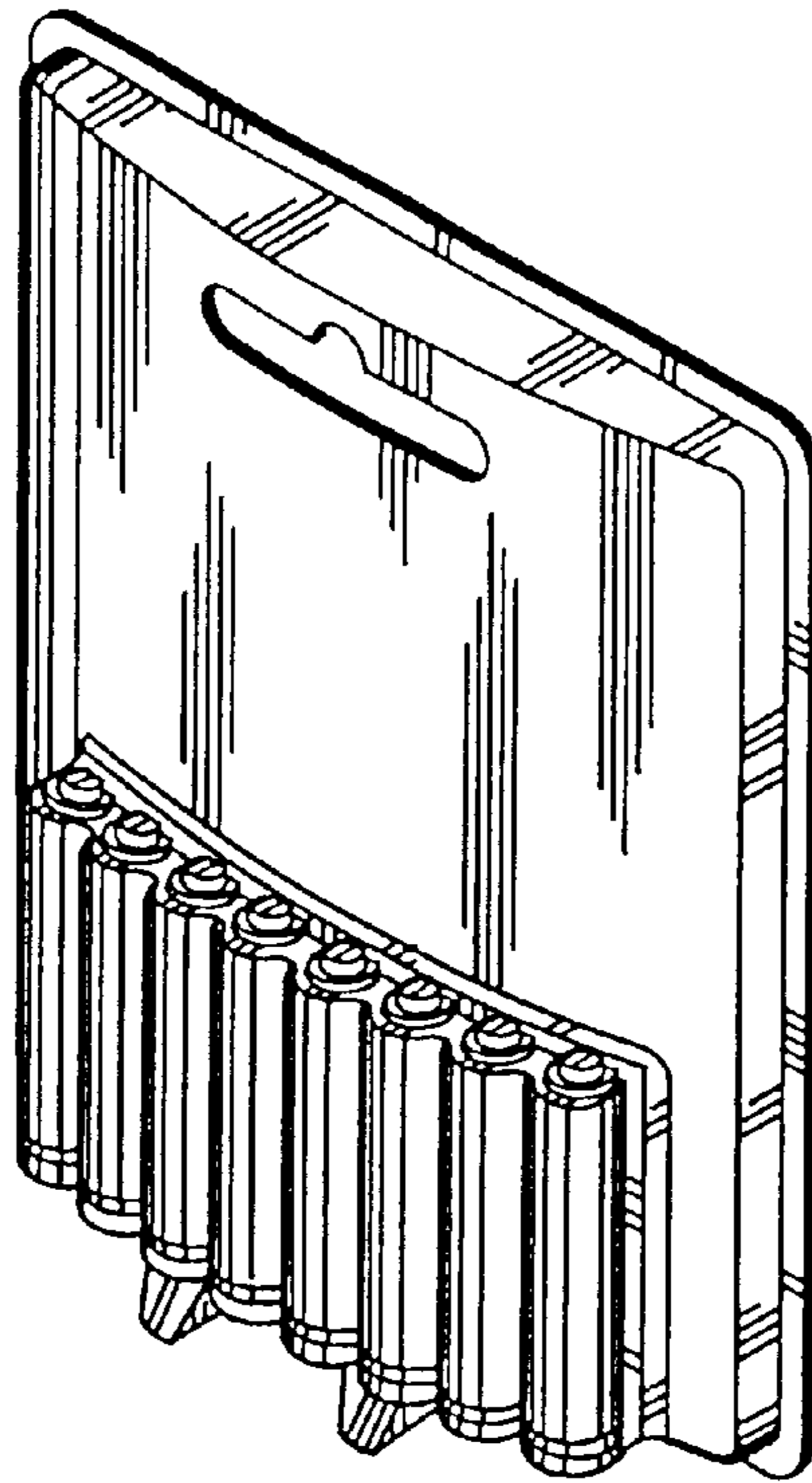


Figure 15

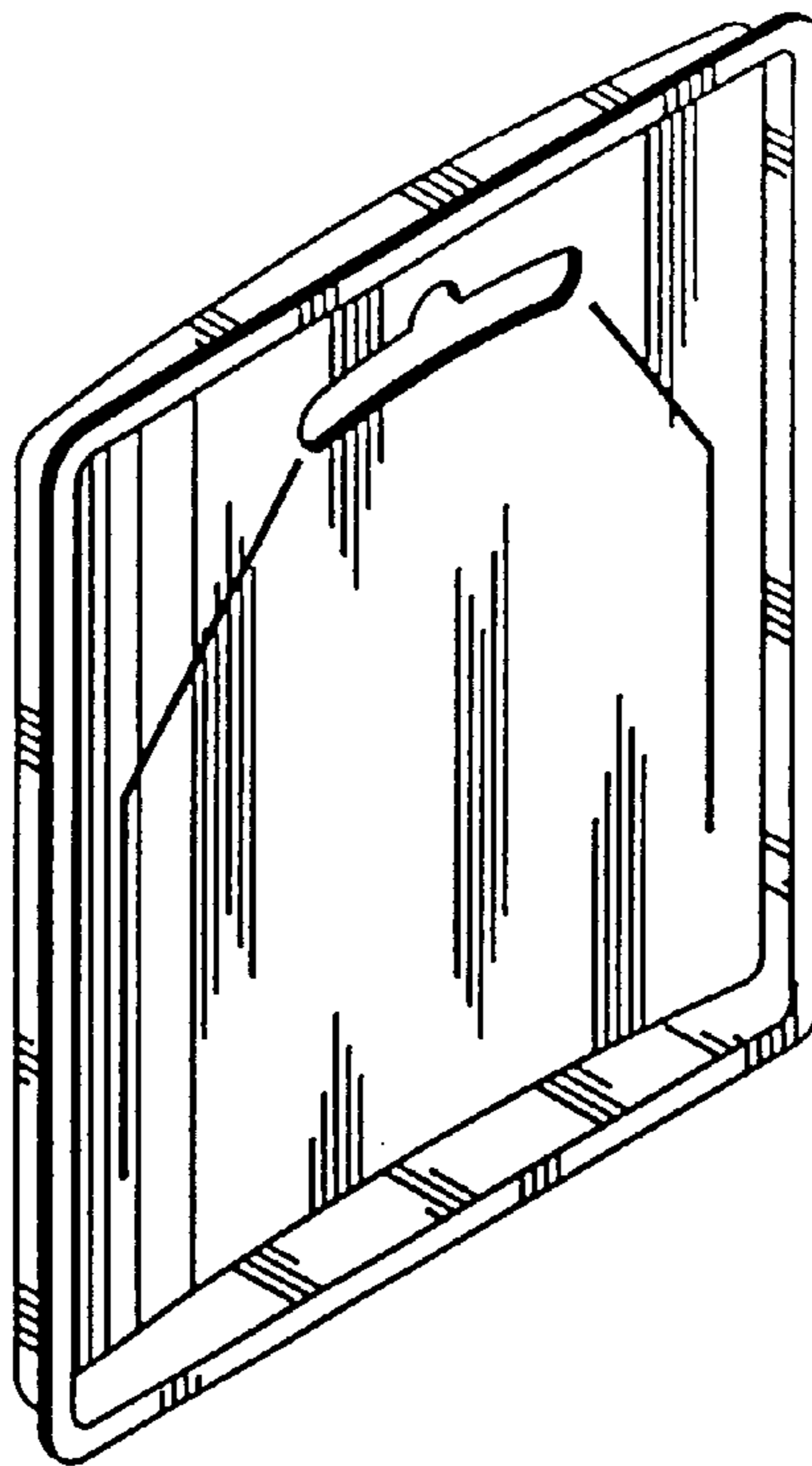


Figure 16

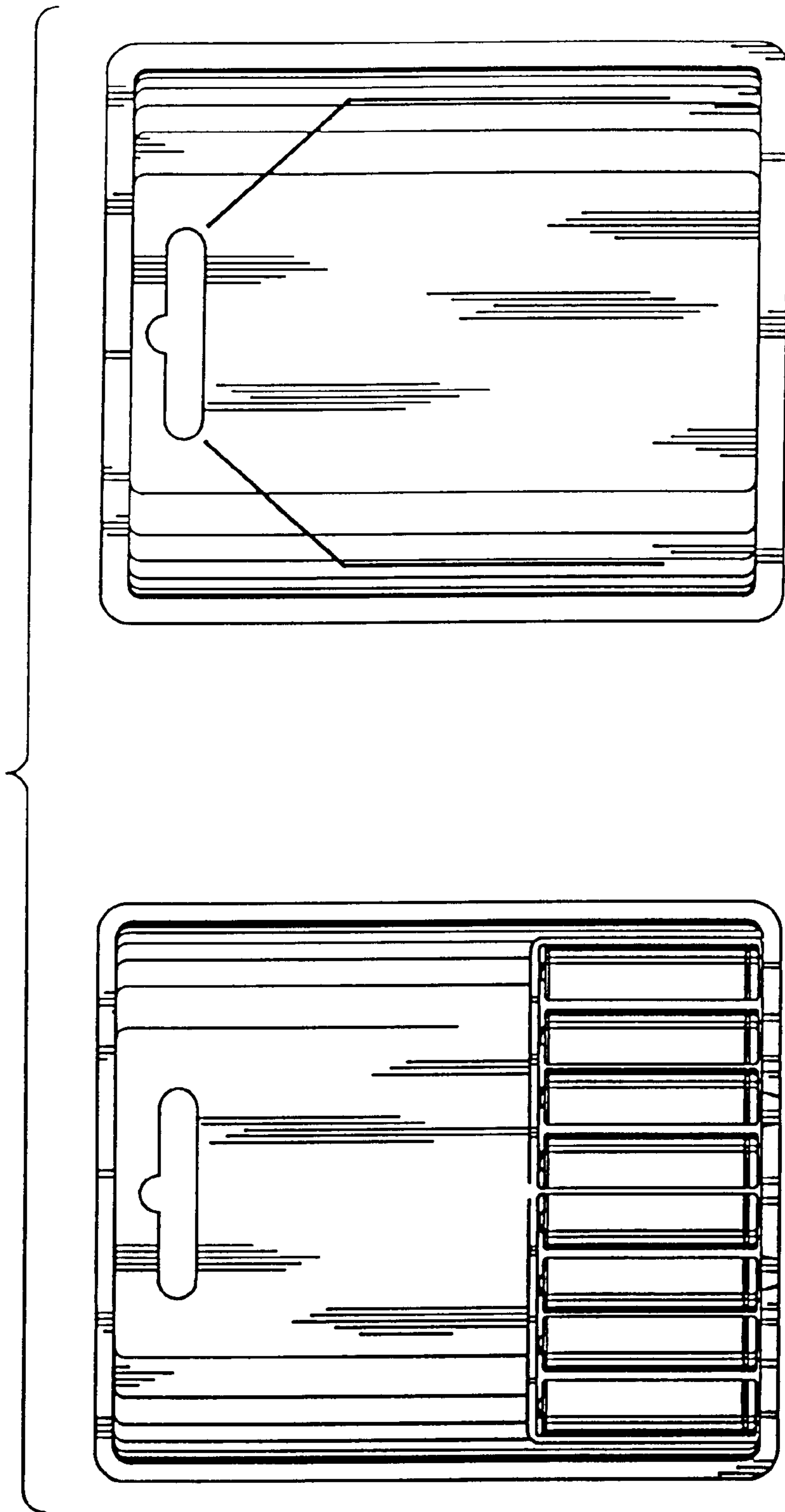


Figure 17

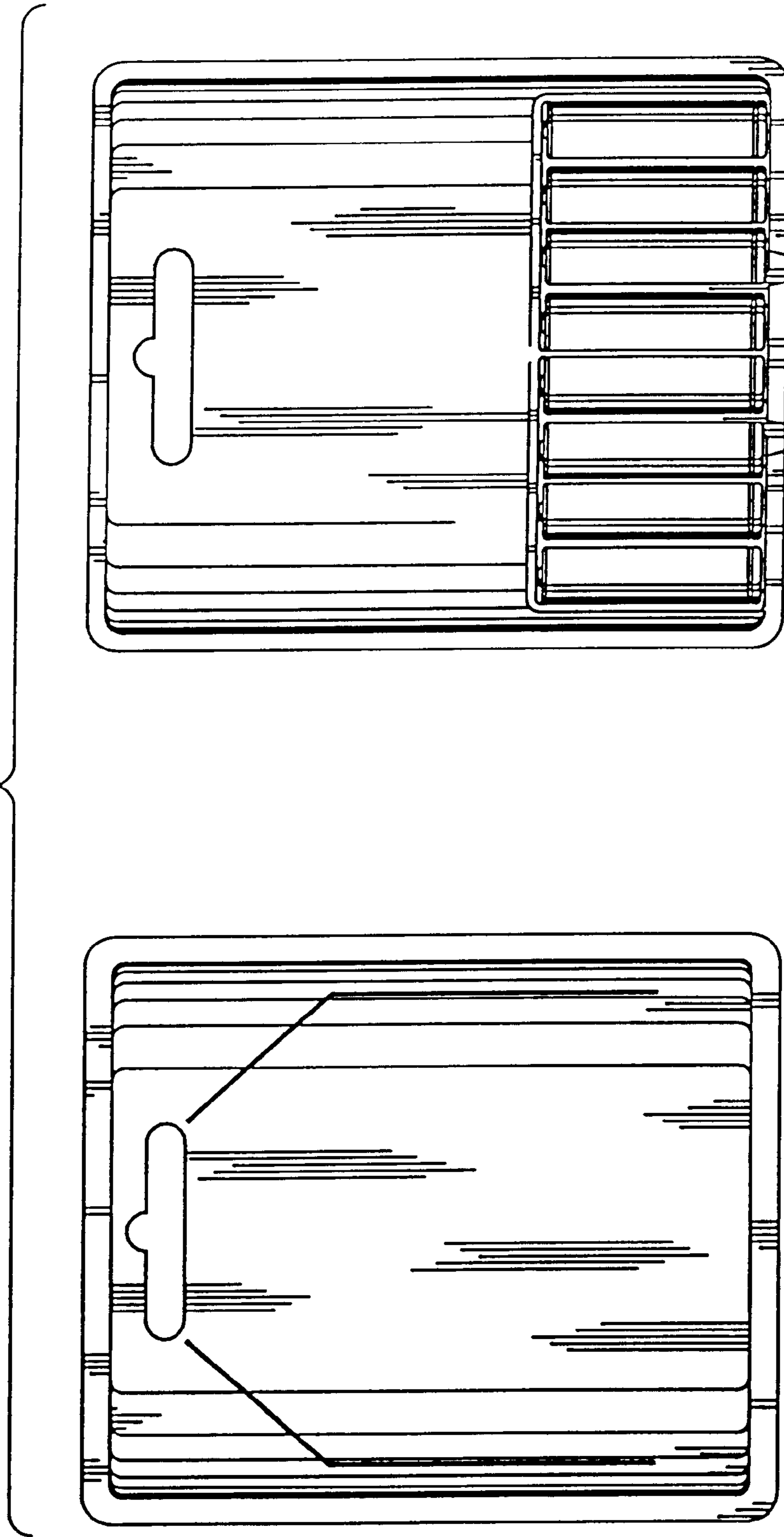


Figure 18

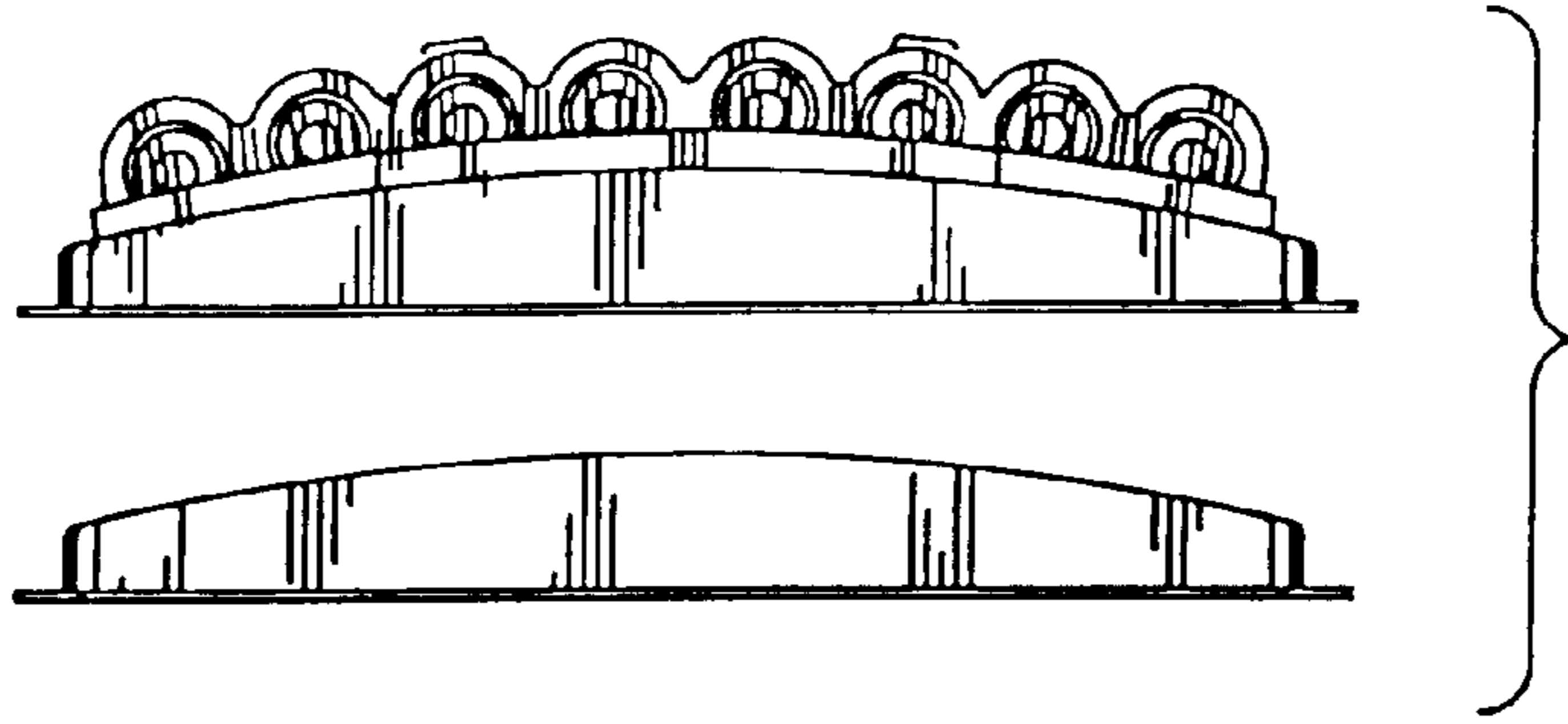


Figure 19

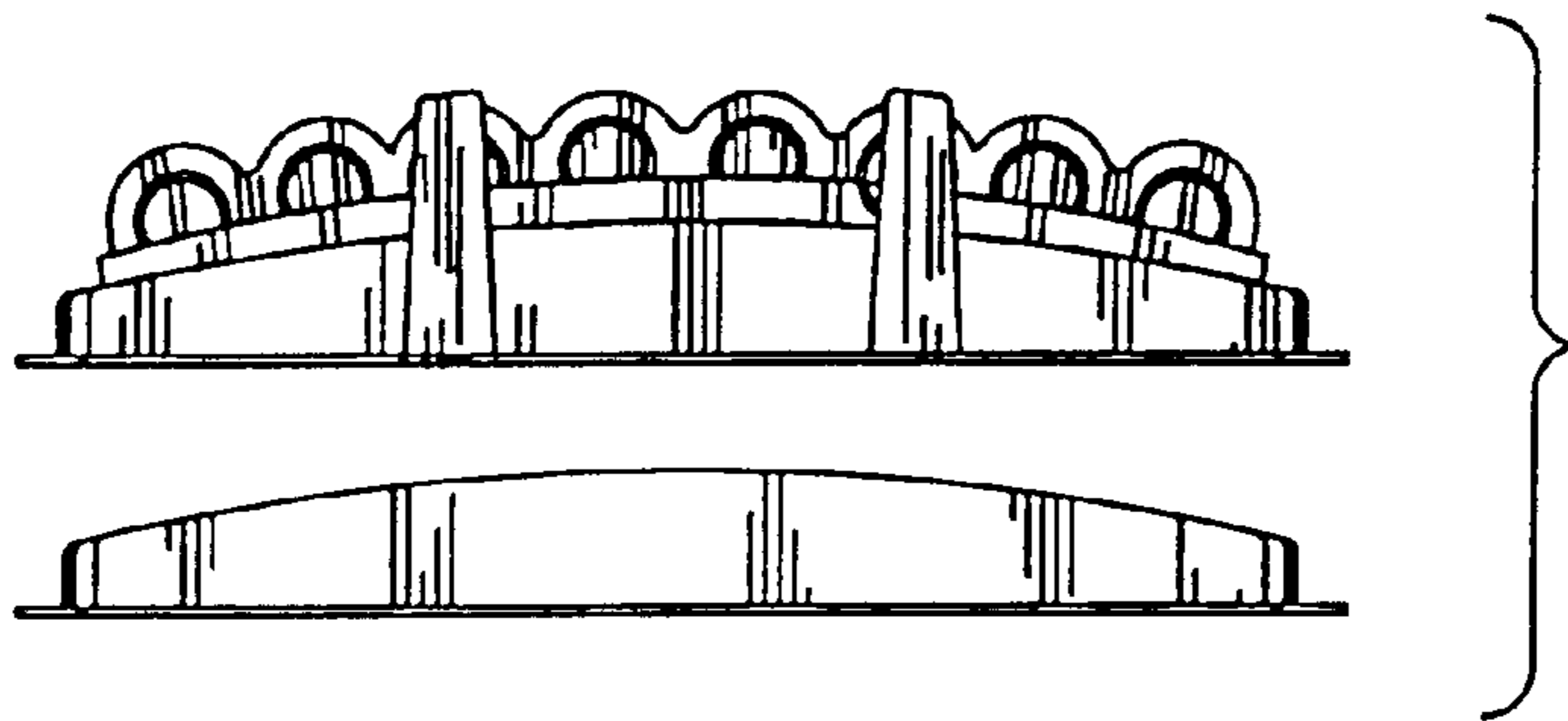


Figure 20

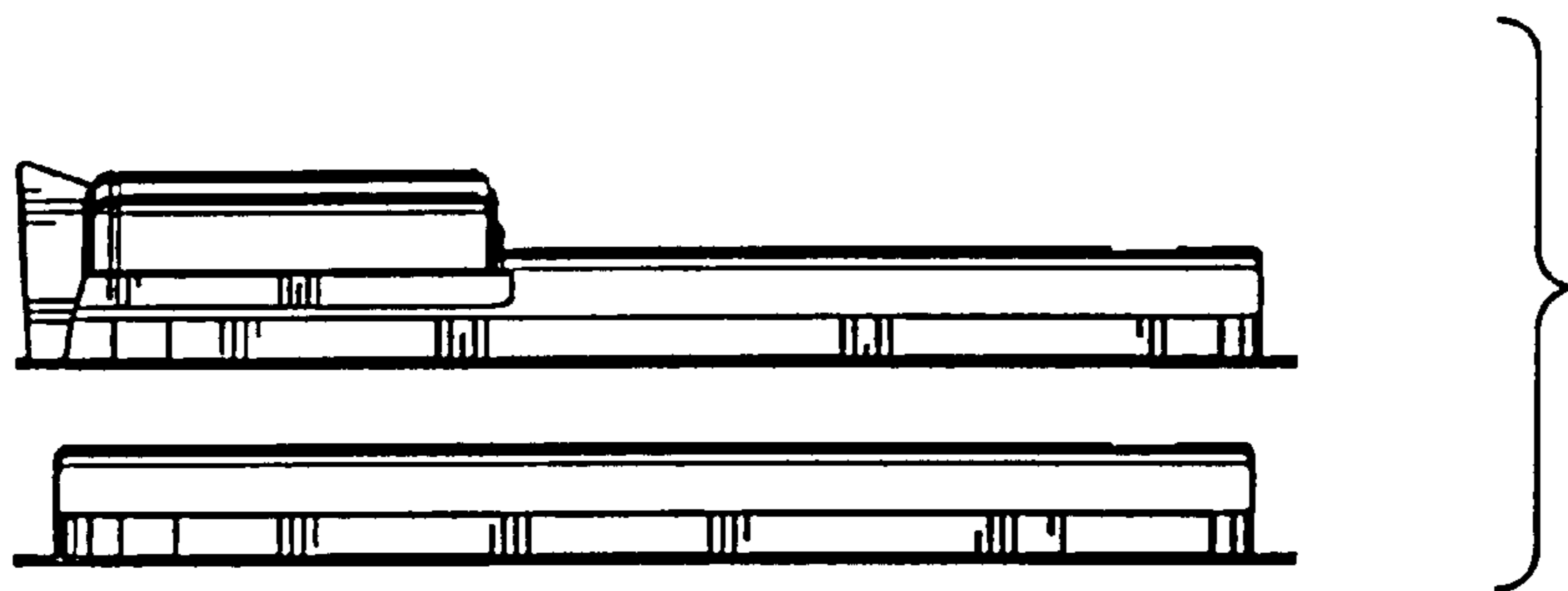


Figure 21