

US00D499956S

(12) **United States Design Patent**  
**Wall**

(10) **Patent No.:** **US D499,956 S**

(45) **Date of Patent:** **\*\* Dec. 21, 2004**

(54) **SUSPENDABLE ACCESSORY HOOK**

(76) **Inventor:** **Thomas A. Wall**, P.O. Box 940895,  
Maitland, FL (US) 32794-0895

(\*\*) **Term:** **14 Years**

(21) **Appl. No.:** **29/205,553**

(22) **Filed:** **May 18, 2004**

(51) **LOC (7) Cl.** ..... **08-05**

(52) **U.S. Cl.** ..... **D8/370**

(58) **Field of Search** ..... **D8/370; 248/302-303**

(56) **References Cited**

**U.S. PATENT DOCUMENTS**

|           |    |   |         |               |       |         |
|-----------|----|---|---------|---------------|-------|---------|
| 3,547,392 | A  | * | 12/1970 | Tanzer        | ..... | 248/691 |
| 3,633,251 | A  | * | 1/1972  | Gass          | ..... | 24/716  |
| D258,138  | S  | * | 2/1981  | Wood          | ..... | D8/370  |
| D386,390  | S  | * | 11/1997 | Ebarb         | ..... | D8/370  |
| 6,375,141 | B1 | * | 4/2002  | Kettlestrings | ..... | 248/303 |
| D458,115  | S  | * | 6/2002  | Harms         | ..... | D8/363  |

**OTHER PUBLICATIONS**

AU 112889 S (Kazimierz Fasiiecki) Nov. 22, 1922[Online]  
[retrieved on Aug. 9, 2004]. Retrieved from Australian  
patent database <http://pericles.ipaustralia.gov.au>.\*

\* cited by examiner

*Primary Examiner*—Holly Baynham

(74) *Attorney, Agent, or Firm*—William B. Noll

(57) **CLAIM**

I claim the ornamental design for a suspendable accessory  
hook, as shown and described.

**DESCRIPTION**

FIG. 1 is a perspective view of the suspendable accessory  
hook showing my new design according to the present  
invention;

FIG. 2 is a front view of the hook shown in FIG. 1, where  
the rear view is a mirror image thereof;

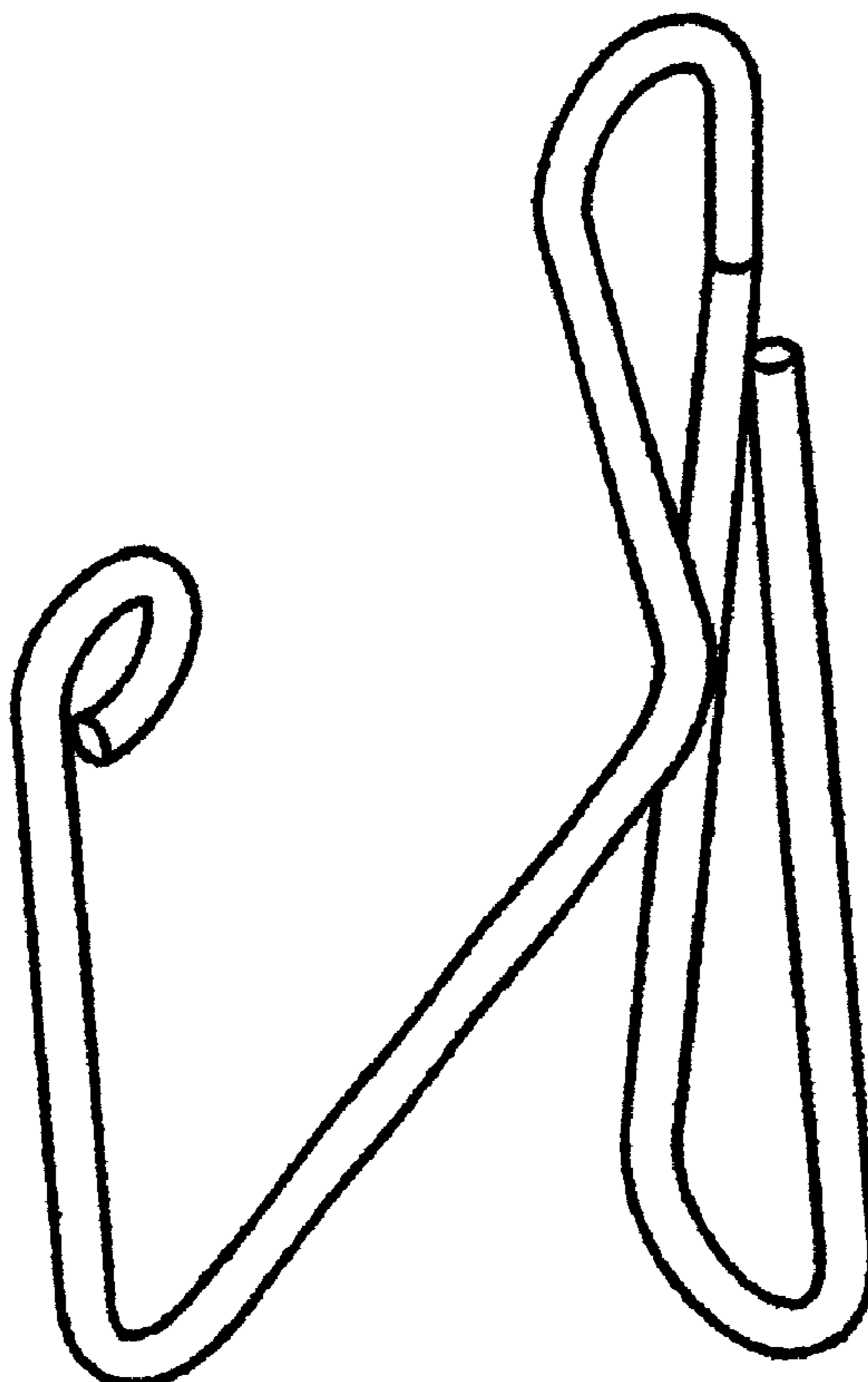
FIG. 3 is a right side view of the hook shown in FIG. 1;

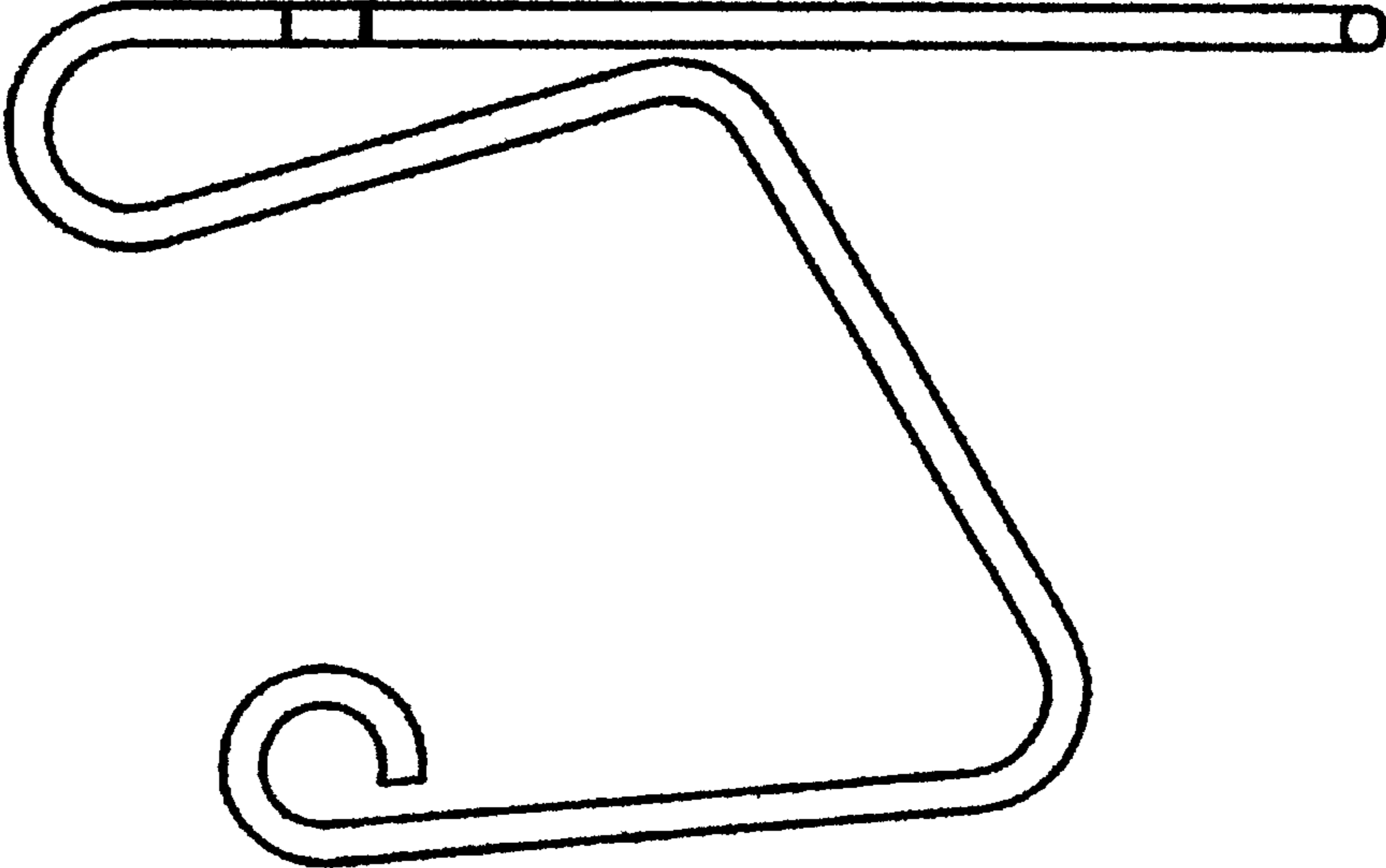
FIG. 4 is a left side view of the hook shown in FIG. 1;

FIG. 5 is a top view thereof; and,

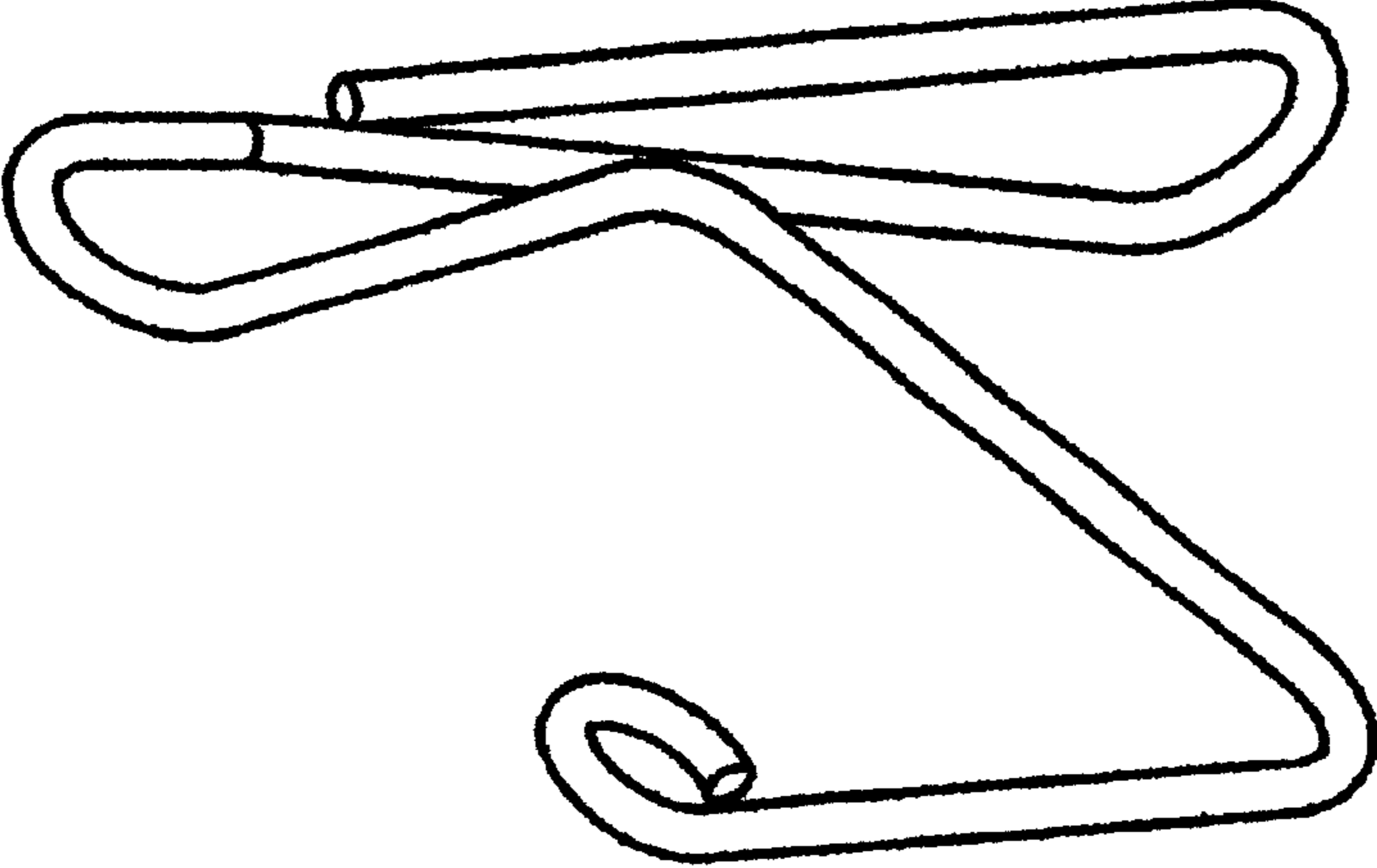
FIG. 6 is a bottom view thereof.

**1 Claim, 2 Drawing Sheets**



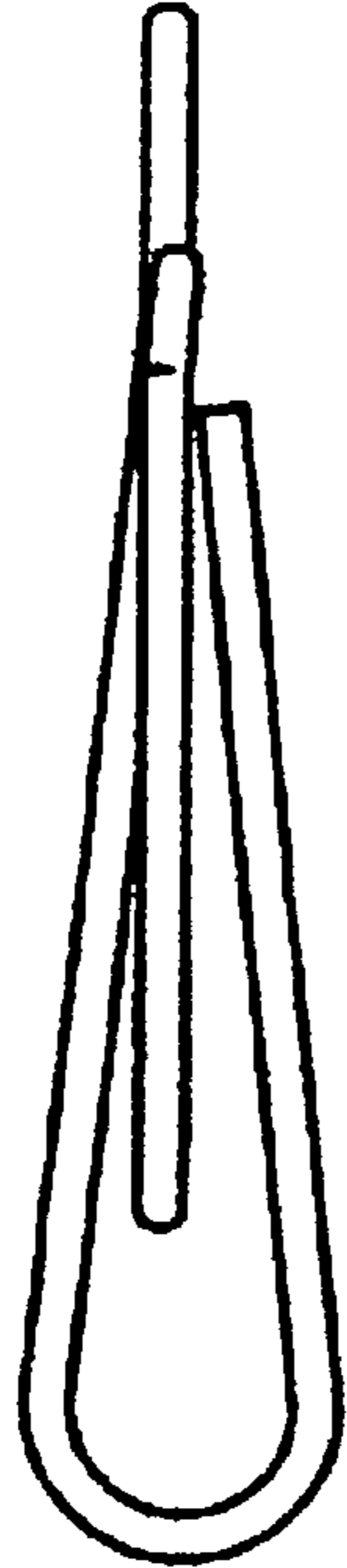


**Fig. 2**

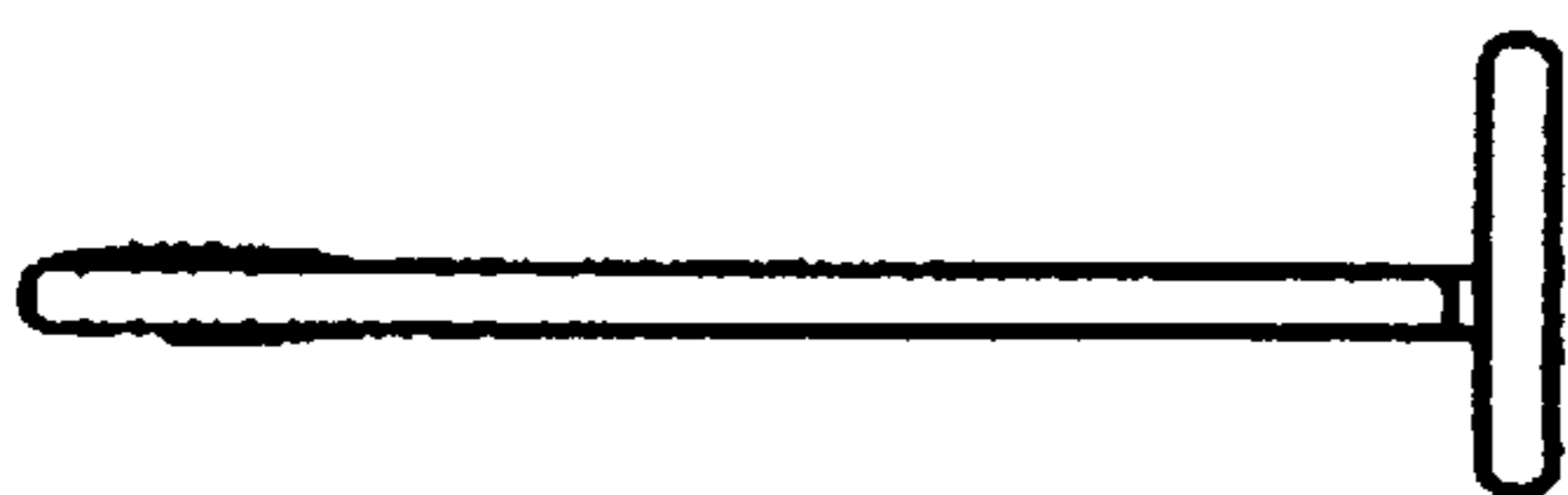
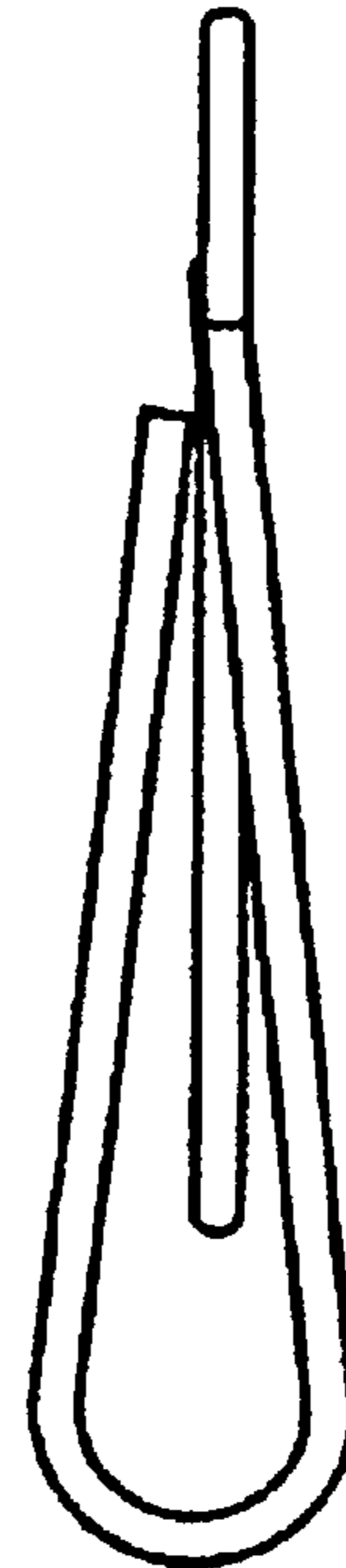


**Fig. 1**

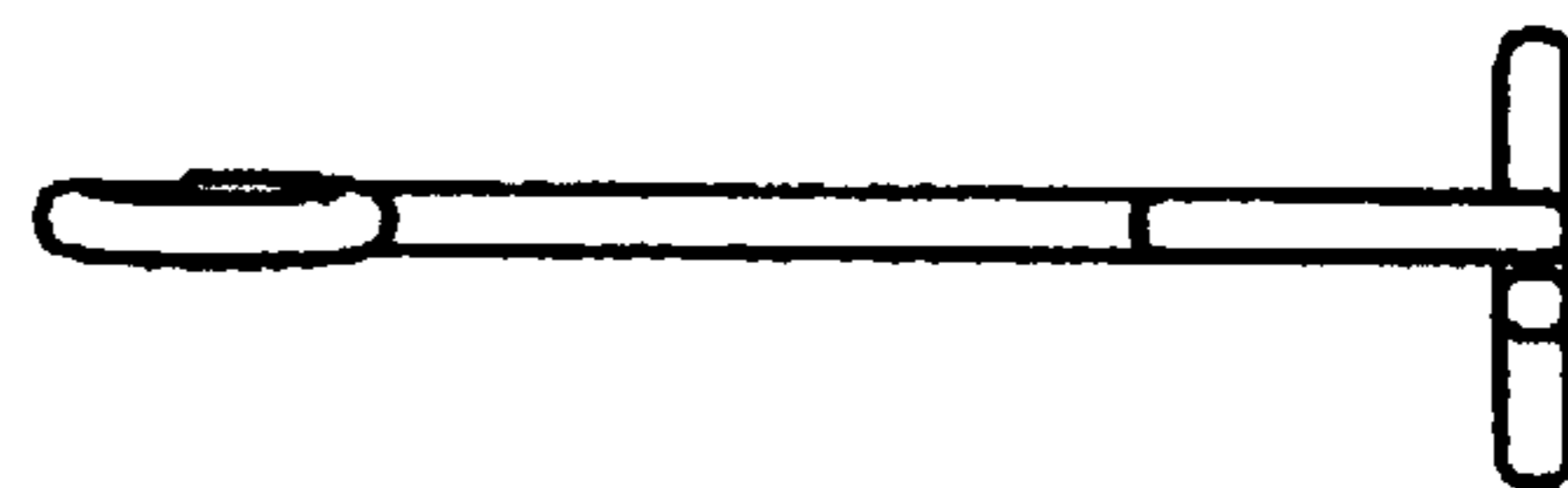
**Fig. 4**



**Fig. 3**



**Fig. 6**



**Fig. 5**