

US00D499954S

(12) **United States Design Patent**
Brushaber

(10) **Patent No.:** **US D499,954 S**

(45) **Date of Patent:** **** Dec. 21, 2004**

(54) **ADJUSTABLE MOORING BRACKET**

(76) **Inventor:** **Donald Brushaber**, 221 Hayes Ct.,
Normandy Beach, NJ (US) 08739

(**) **Term:** **14 Years**

(21) **Appl. No.:** **29/200,483**

(22) **Filed:** **Feb. 27, 2004**

(51) **LOC (7) Cl.** **08-05**

(52) **U.S. Cl.** **D8/355**

(58) **Field of Search** D8/349, 354, 355,
D8/356; D12/223, 317; 114/199, 218, 230.1,
230.15, 230.16, 230.17, 230.18, 230.19,
230.2, 364; 248/28.11, 289.11, 291.1

(56) **References Cited**

U.S. PATENT DOCUMENTS

D229,480 S	12/1973	Brushaber	
D249,458 S	* 9/1978	Olsen D8/349
4,627,375 A	* 12/1986	Davis et al. 114/230.18
4,660,493 A	* 4/1987	Lowry, III 114/199
4,697,538 A	* 10/1987	Day 114/230.16

D306,396 S	3/1990	Brushaber	
D312,566 S	* 12/1990	Scherer D8/355
D347,781 S	* 6/1994	Adams et al. D8/349

* cited by examiner

Primary Examiner—Robert M. Spear
Assistant Examiner—Elizabeth Albert
(74) *Attorney, Agent, or Firm*—Authur Jacob

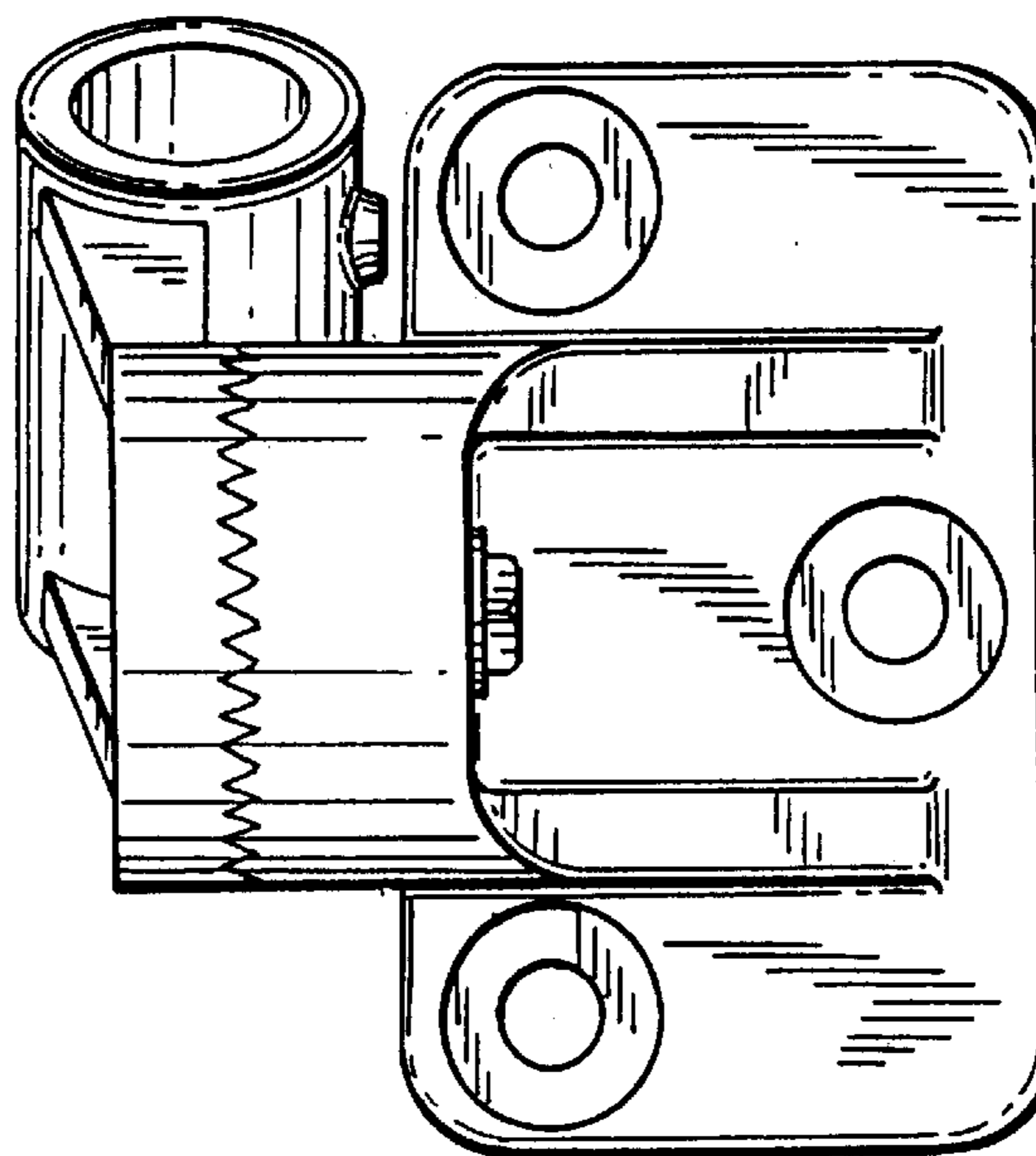
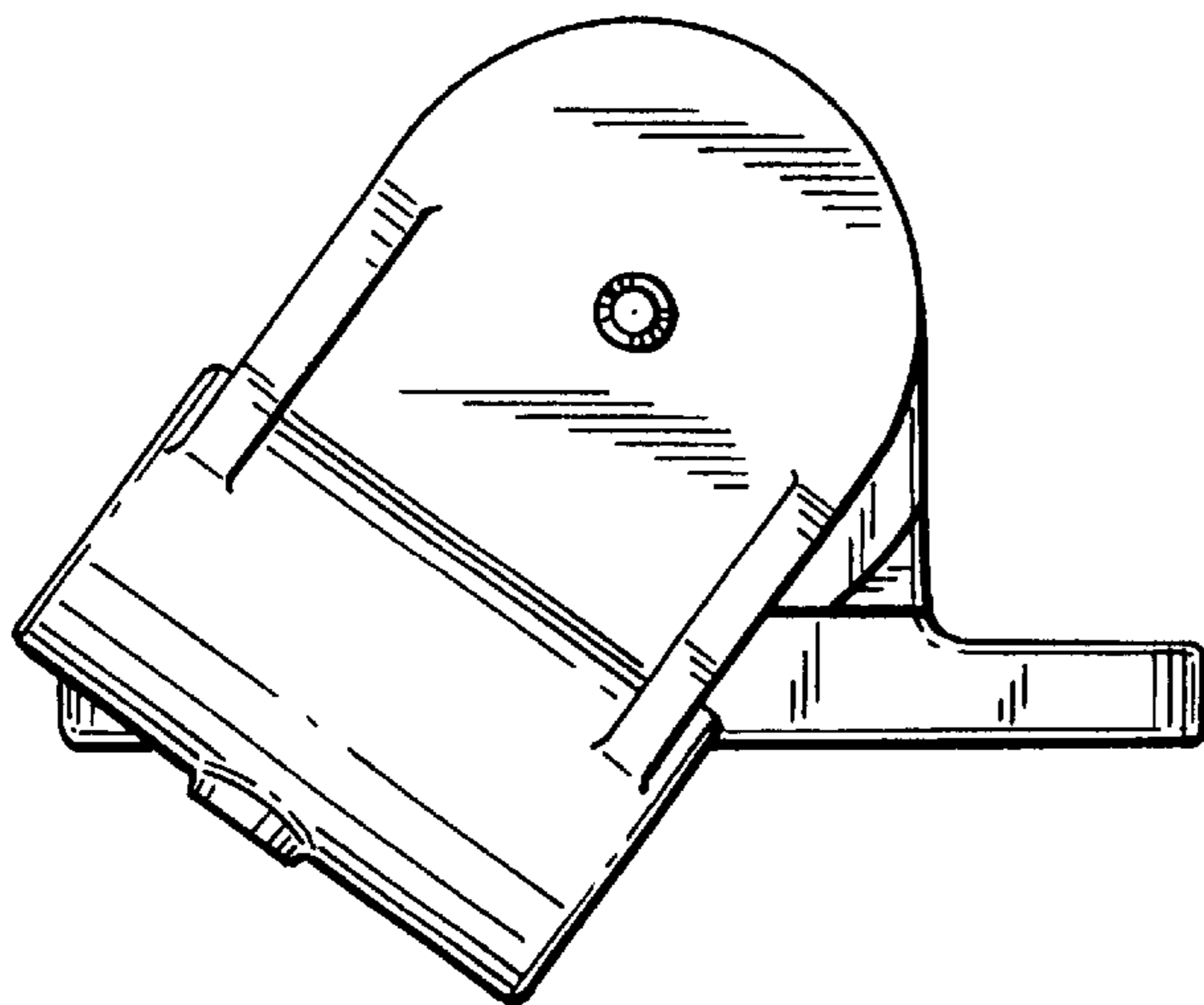
(57) **CLAIM**

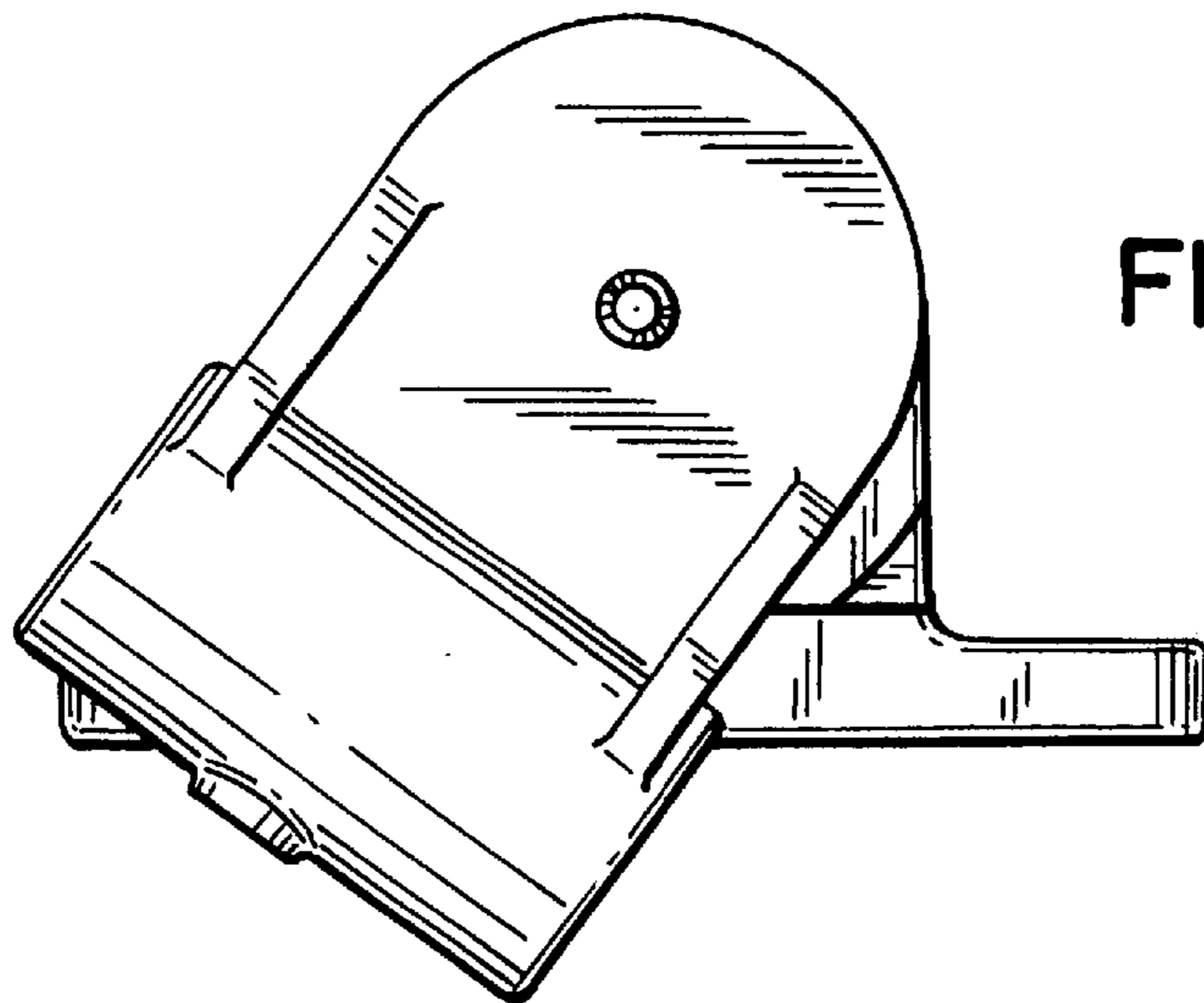
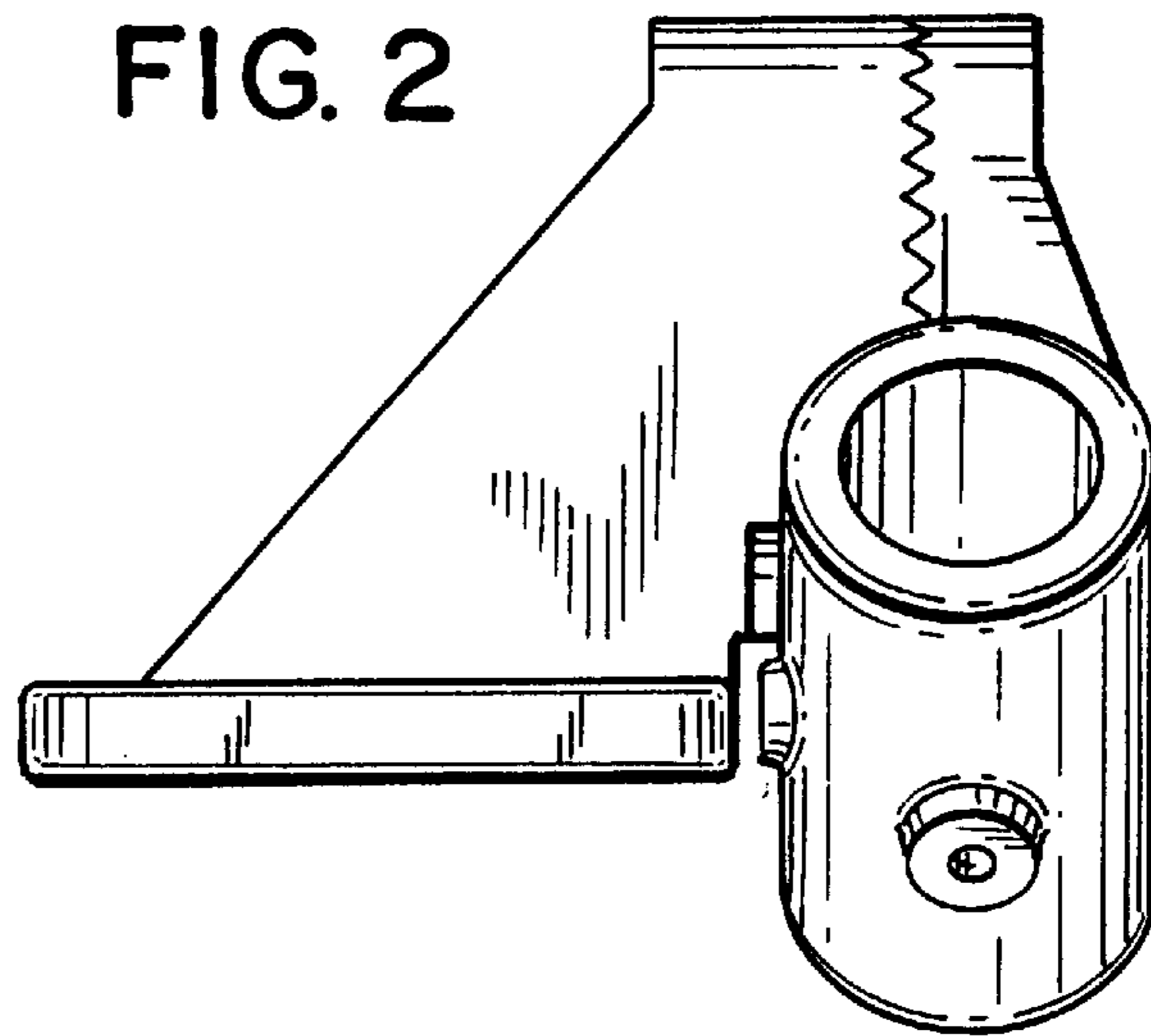
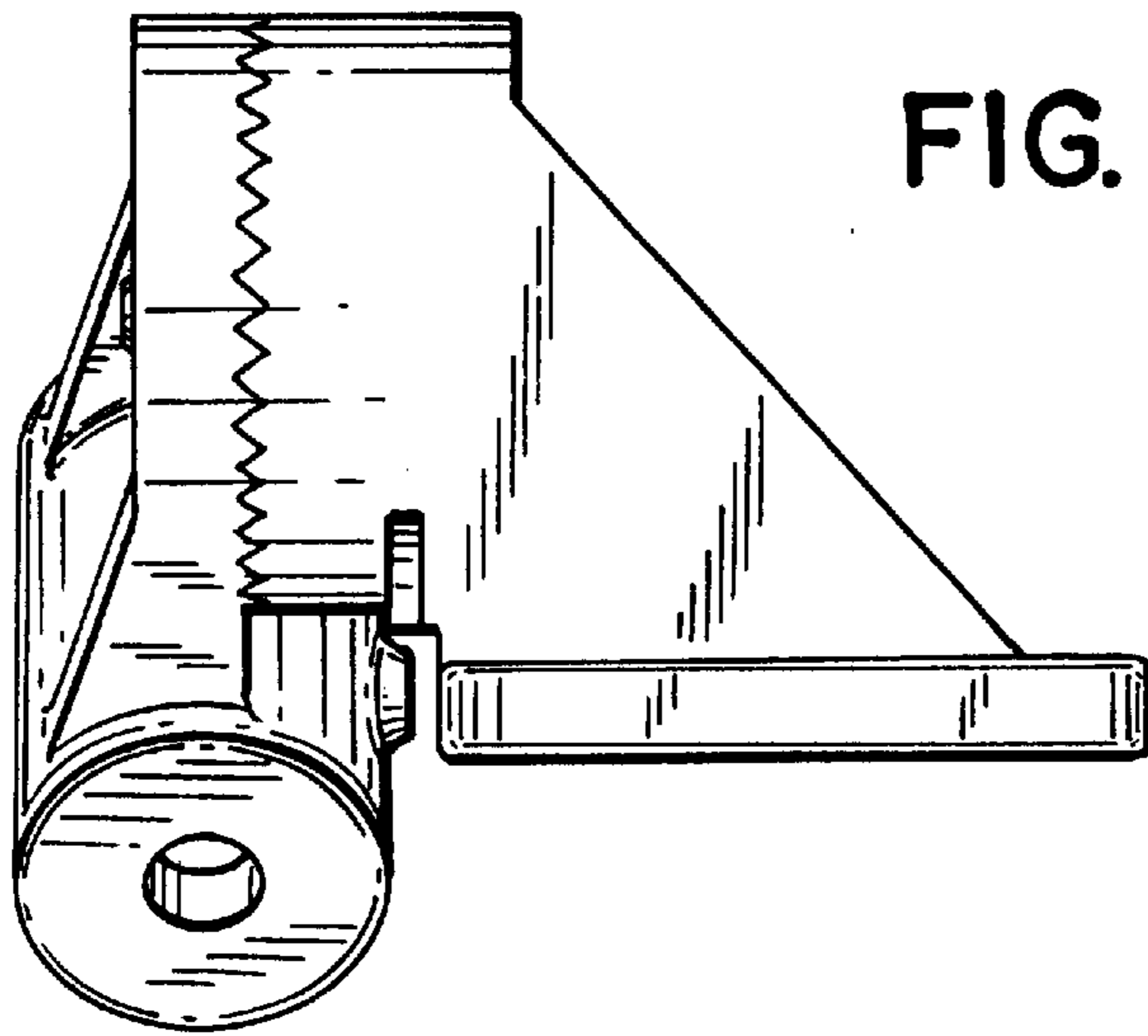
The ornamental design for an adjustable mooring bracket, as shown and described.

DESCRIPTION

FIG. 1 is a front elevational view of an adjustable mooring bracket embodying my new design; FIG. 2 is a rear elevational view thereof; FIG. 3 is a side elevational view thereof, as viewed from the left of FIG. 1; FIG. 4 is a side elevational view thereof, as viewed from the right of FIG. 1; FIG. 5 is a top plan view thereof; and, FIG. 6 is a bottom plan view thereof.

1 Claim, 2 Drawing Sheets





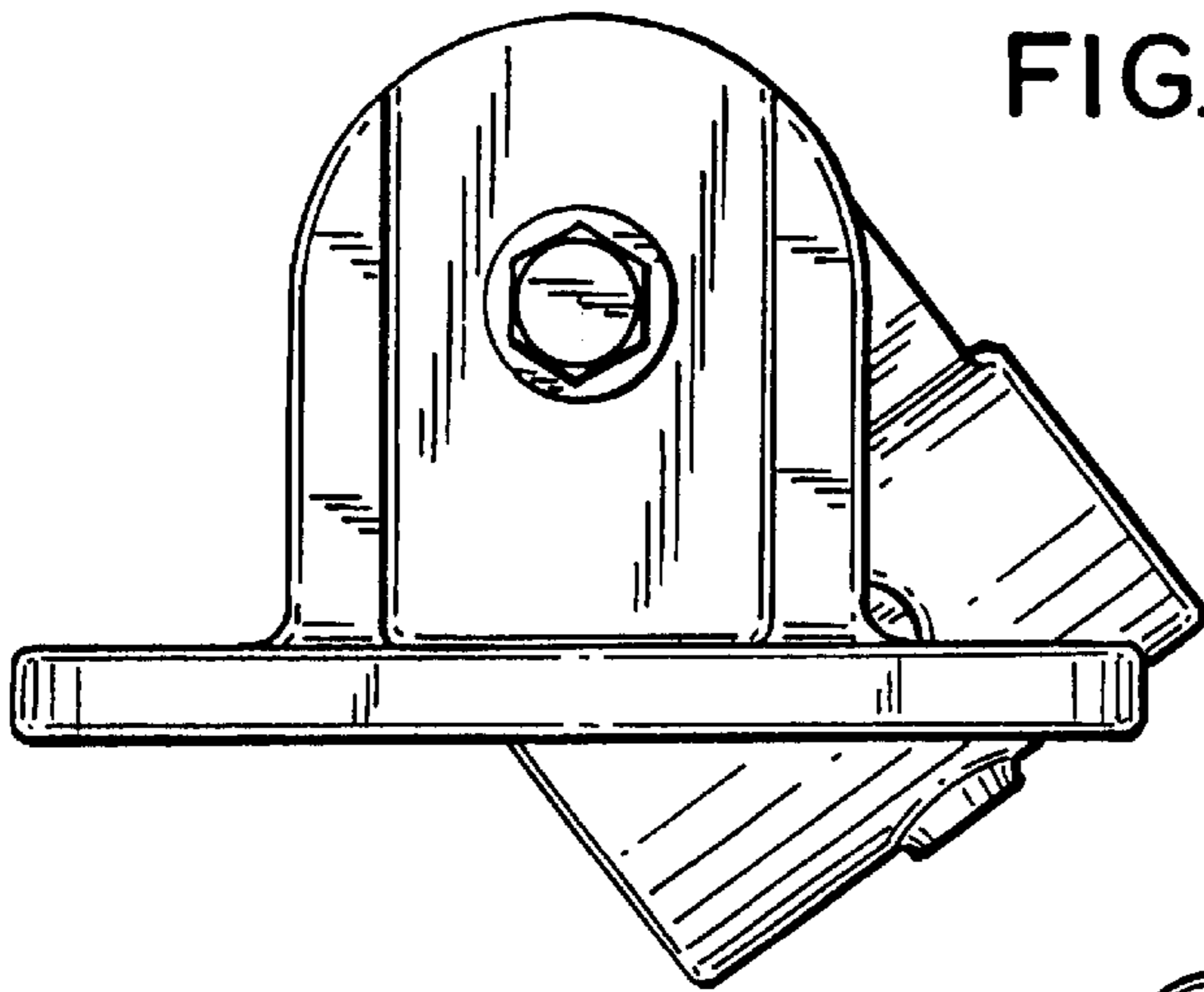


FIG. 4

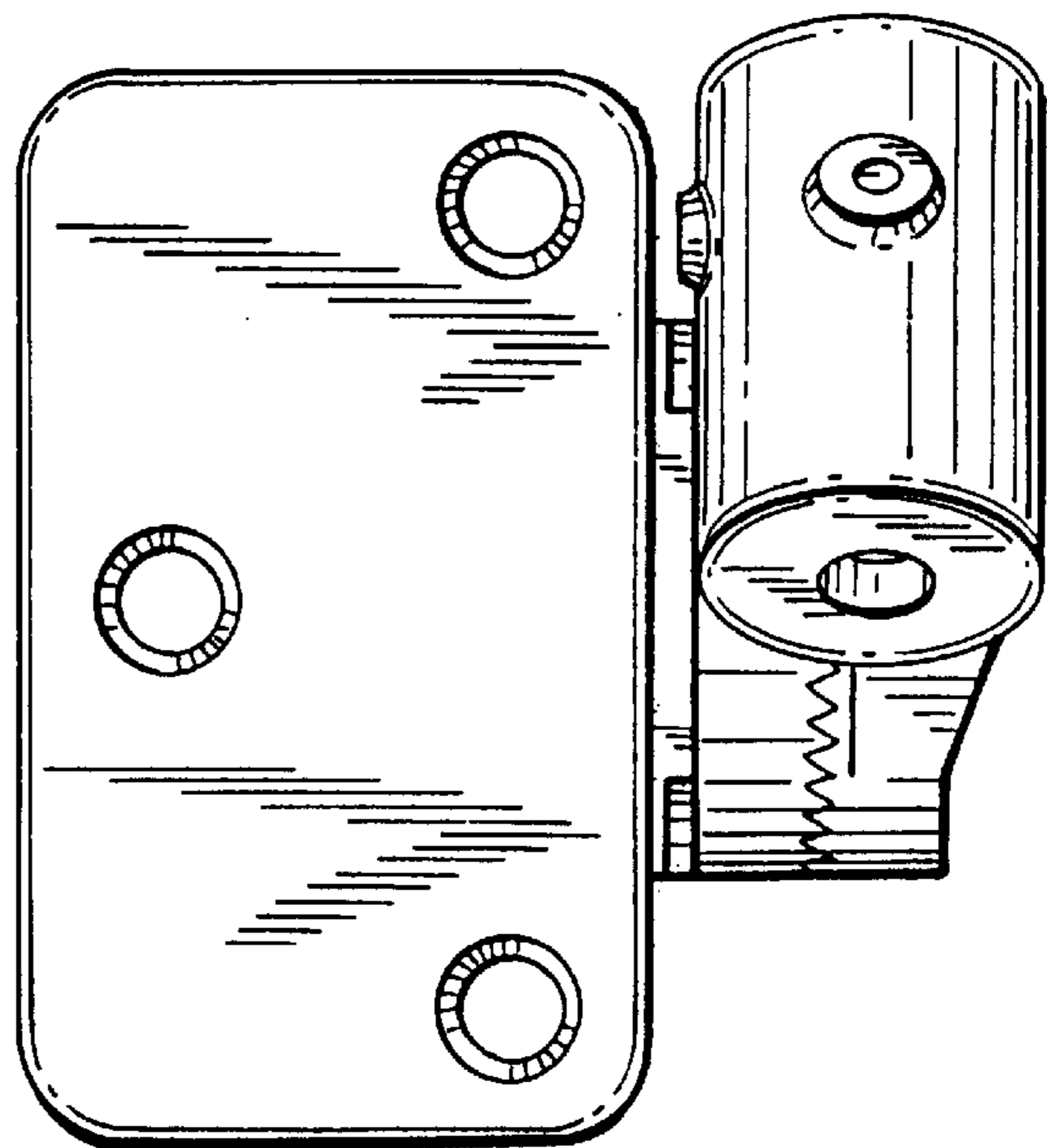


FIG. 5

FIG. 6

