

US00D499953S

(12) **United States Design Patent**  
**Haggard**

(10) **Patent No.:** **US D499,953 S**

(45) **Date of Patent:** **\*\* Dec. 21, 2004**

(54) **BEVERAGE LOCKING DEVICE**

(76) **Inventor:** **Mark Douglas Haggard**, 1111 Sweet Gum La., Kingwood, TX (US) 77339

(\*\*) **Term:** **14 Years**

(21) **Appl. No.:** **29/194,653**

(22) **Filed:** **Nov. 26, 2003**

(51) **LOC (7) Cl.** ..... **08-07**

(52) **U.S. Cl.** ..... **D8/343**

(58) **Field of Search** ..... D8/330, 331, 343, D8/344, 337, 349, 354, 499; 70/1, 19, 51, 54, 52, 431, 460, 258; 292/256, 258, 256.65; 248/309.1, 312, 311.2, 313, 315, 551, 552; 224/926

(56) **References Cited**

**U.S. PATENT DOCUMENTS**

588,211 A	8/1897	Abbott	
671,086 A	4/1901	Laible	
833,446 A	10/1906	Degener	
880,723 A	3/1908	Cumming	
1,155,947 A	10/1915	Mills	
1,499,960 A	* 7/1924	Almedia	70/65
3,206,955 A	9/1965	Horovitz	
4,984,698 A	* 1/1991	Stuckey	215/207
5,464,109 A	11/1995	Greenwald	
5,487,519 A	* 1/1996	Grabowski	248/311.2
5,586,670 A	12/1996	Greenwald	
5,603,477 A	* 2/1997	Deutsch	248/311.2

5,911,764 A	6/1999	Wei Kong	
6,199,413 B1	* 3/2001	McDaid et al.	70/58
6,431,516 B1	* 8/2002	Cooner et al.	248/551
6,691,967 B2	* 2/2004	Kaupp	248/311.2
6,698,160 B2	* 3/2004	Peronek et al.	53/317
D491,045 S	* 6/2004	Laabs et al.	D8/343

\* cited by examiner

*Primary Examiner*—Prabhakar Deshmukh

(74) *Attorney, Agent, or Firm*—Locke Liddell & Sapp LLP

(57) **CLAIM**

The ornamental design for a beverage locking device, as shown and described.

**DESCRIPTION**

FIG. 1 is a perspective view of a beverage locking device. FIG. 2 is a side view of the beverage locking device. FIG. 3 is a top view of the beverage locking device. FIG. 4 is an end view of the beverage locking device. FIG. 5 is an opposite end view relative to FIG. 4 of the beverage locking device; and, FIG. 6 is a perspective view of the beverage locking device engaged with a bottle cap and bottle for environmental illustration.

The broken lines which define the bounds of the claimed design from no part thereof. All other broken lines are for illustrative purpose only and form no part of the claimed design.

**1 Claim, 2 Drawing Sheets**

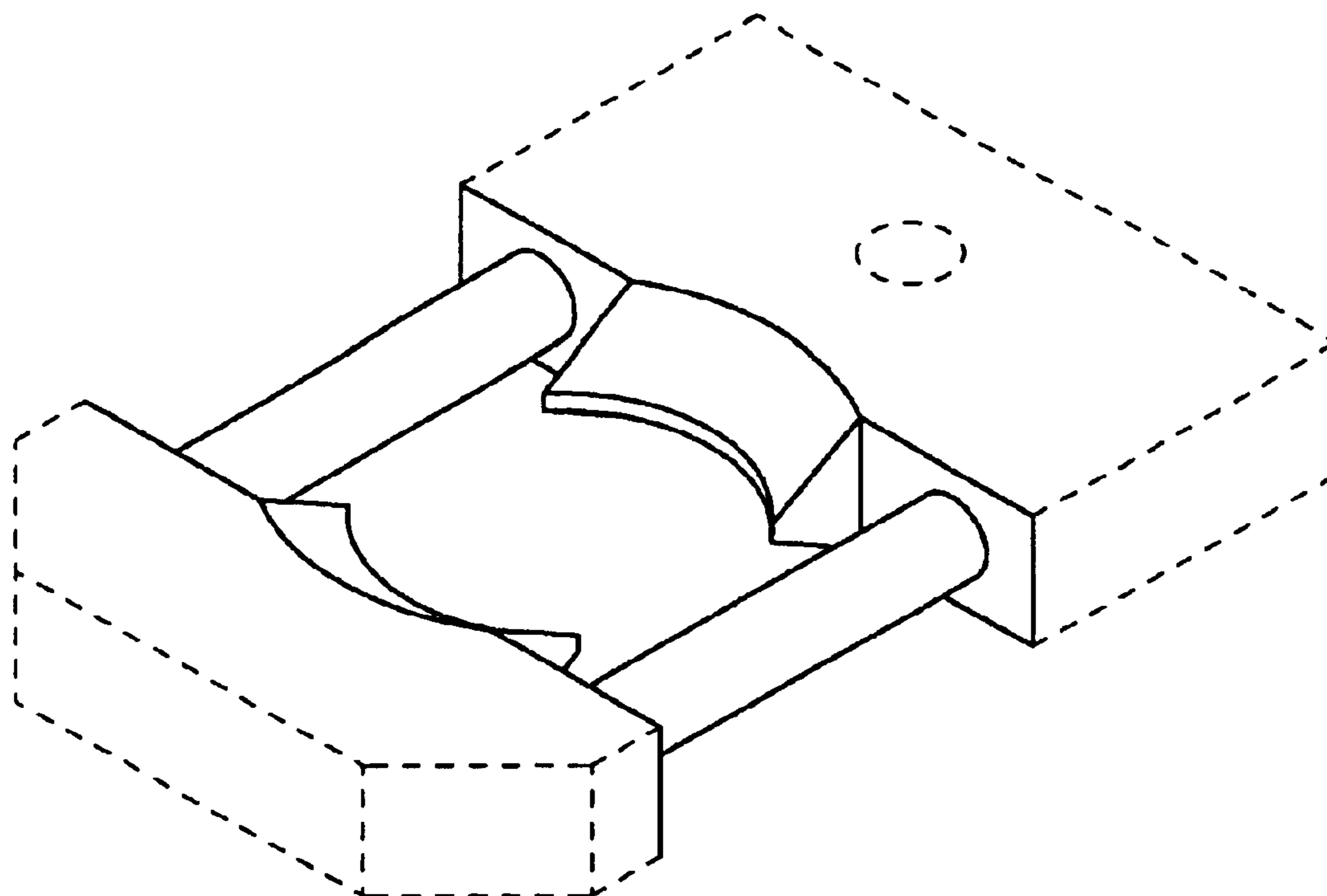


Fig. 1

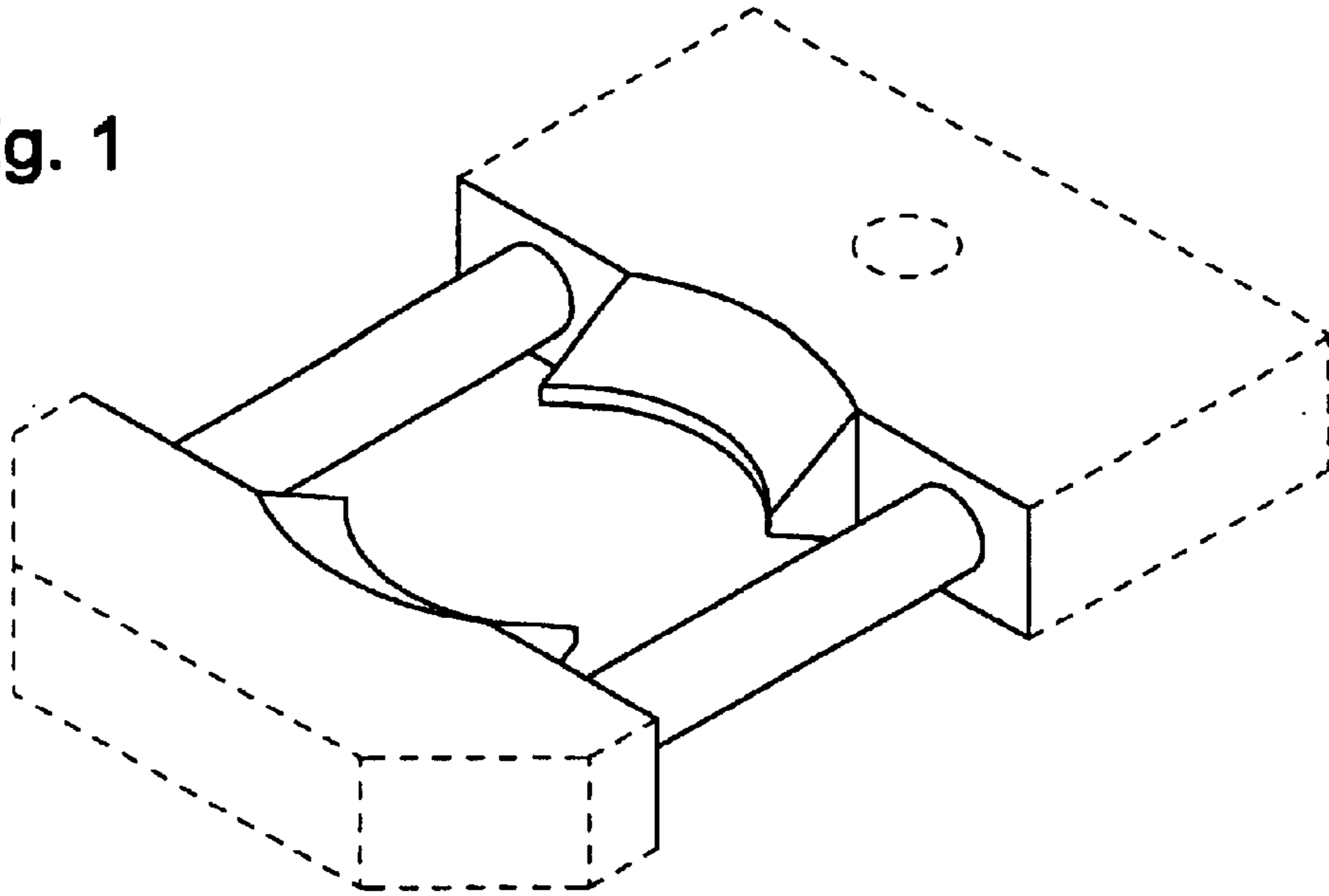


Fig. 2



Fig. 3

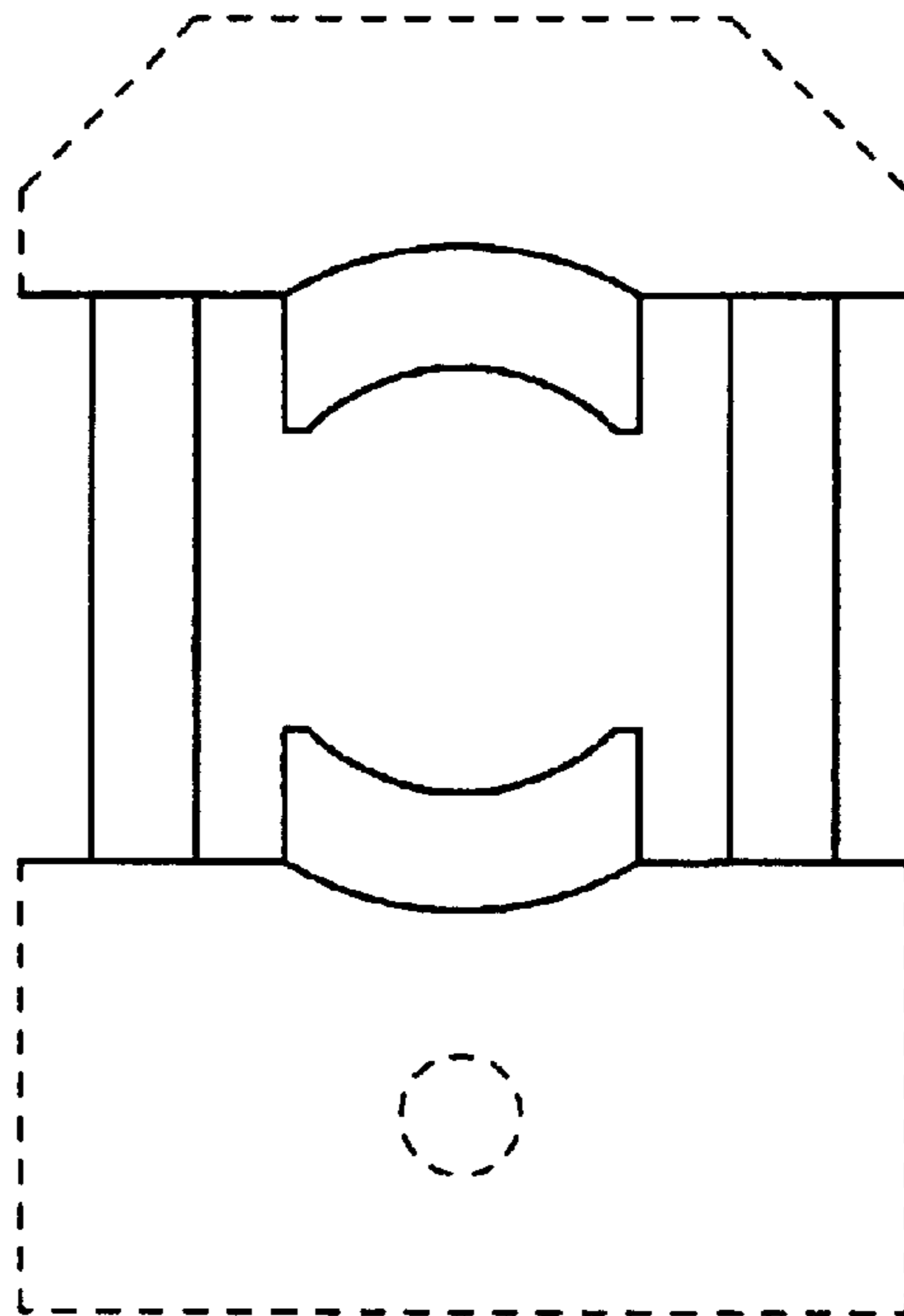


Fig. 4



Fig. 5



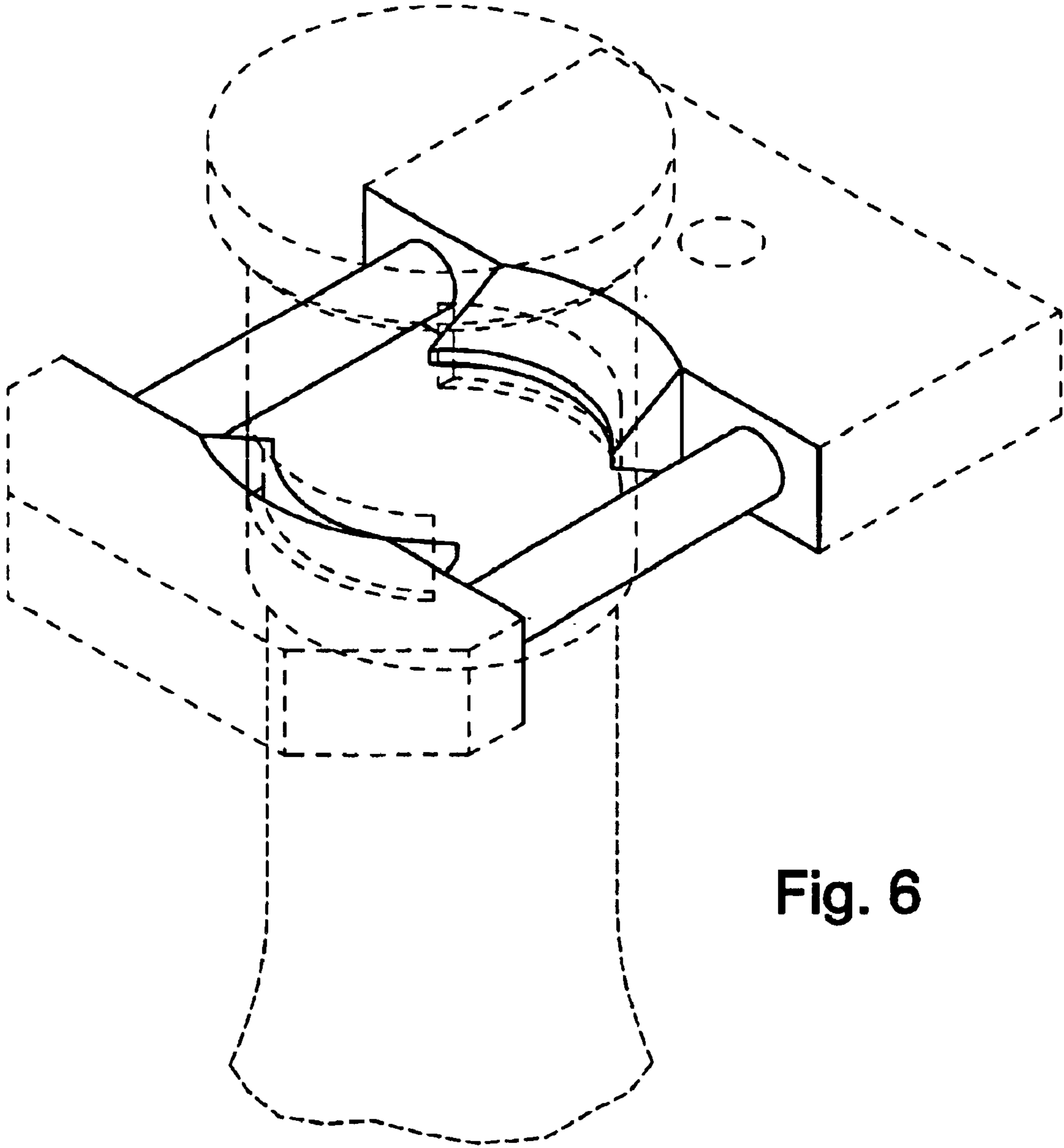


Fig. 6