

US00D499948S

(12) **United States Design Patent**  
**Kondo et al.**

(10) **Patent No.:** **US D499,948 S**

(45) **Date of Patent:** **\*\* Dec. 21, 2004**

(54) **UTILITY KNIFE**

(75) Inventors: **Katsuyuki Kondo**, Otsu (JP);  
**Mitsuhiro Takamasa**, Kyoto (JP)

(73) Assignee: **KDS Corporation**, Kyoto (JP)

(\*\*) Term: **14 Years**

(21) Appl. No.: **29/188,358**

(22) Filed: **Aug. 19, 2003**

(30) **Foreign Application Priority Data**

Jul. 7, 2003 (JP) ..... 2003-019533

(51) **LOC (7) Cl.** ..... **08-03**

(52) **U.S. Cl.** ..... **D8/99**

(58) **Field of Search** ..... D8/98, 99; 30/162,  
30/320, 329, 335, 337

(56) **References Cited**

**U.S. PATENT DOCUMENTS**

5,269,063 A \* 12/1993 Okada ..... 30/162  
D386,959 S \* 12/1997 Okada ..... D8/99  
D398,829 S \* 9/1998 Okada ..... D8/99  
D399,114 S \* 10/1998 Okada ..... D8/99

D431,170 S \* 9/2000 Okada ..... D8/98  
D436,825 S \* 1/2001 Chen ..... D8/99  
D453,896 S \* 2/2002 Hirai ..... D8/99  
D459,189 S \* 6/2002 Chong ..... D8/99

\* cited by examiner

*Primary Examiner*—Philip S. Hyder

(74) *Attorney, Agent, or Firm*—Birch, Stewart, Kolasch & Birch, LLP

(57) **CLAIM**

The ornamental design for a utility knife, as shown.

**DESCRIPTION**

FIG. 1 is a perspective view of a utility knife showing our new design;

FIG. 2 is a front view thereof;

FIG. 3 is a rear view thereof;

FIG. 4 is a top plan view thereof;

FIG. 5 is a bottom plan view thereof;

FIG. 6 is a right side view thereof;

FIG. 7 is a left side view; and,

FIG. 8 is a perspective view thereof, with the blade in an extended position.

**1 Claim, 3 Drawing Sheets**

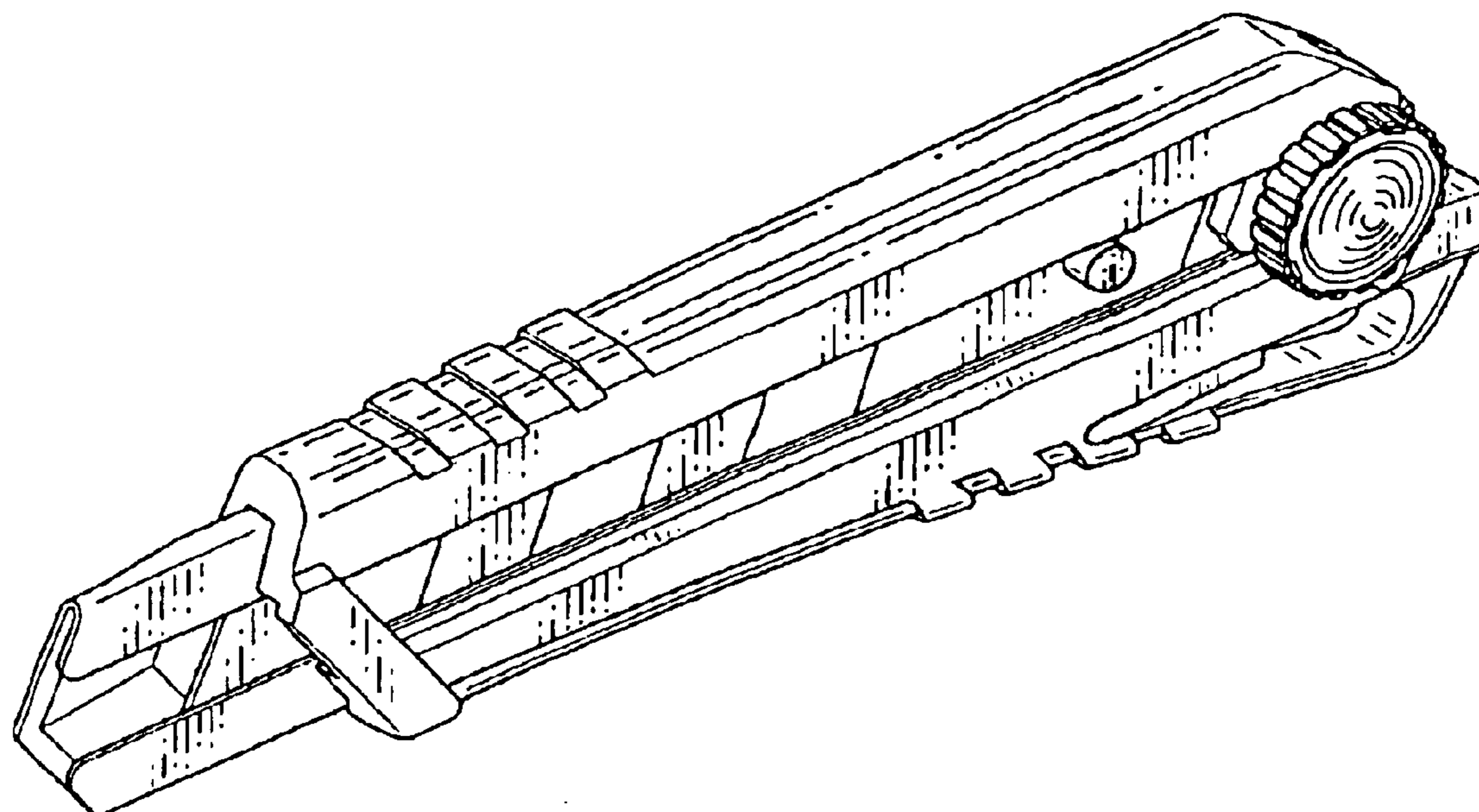


FIG. 1

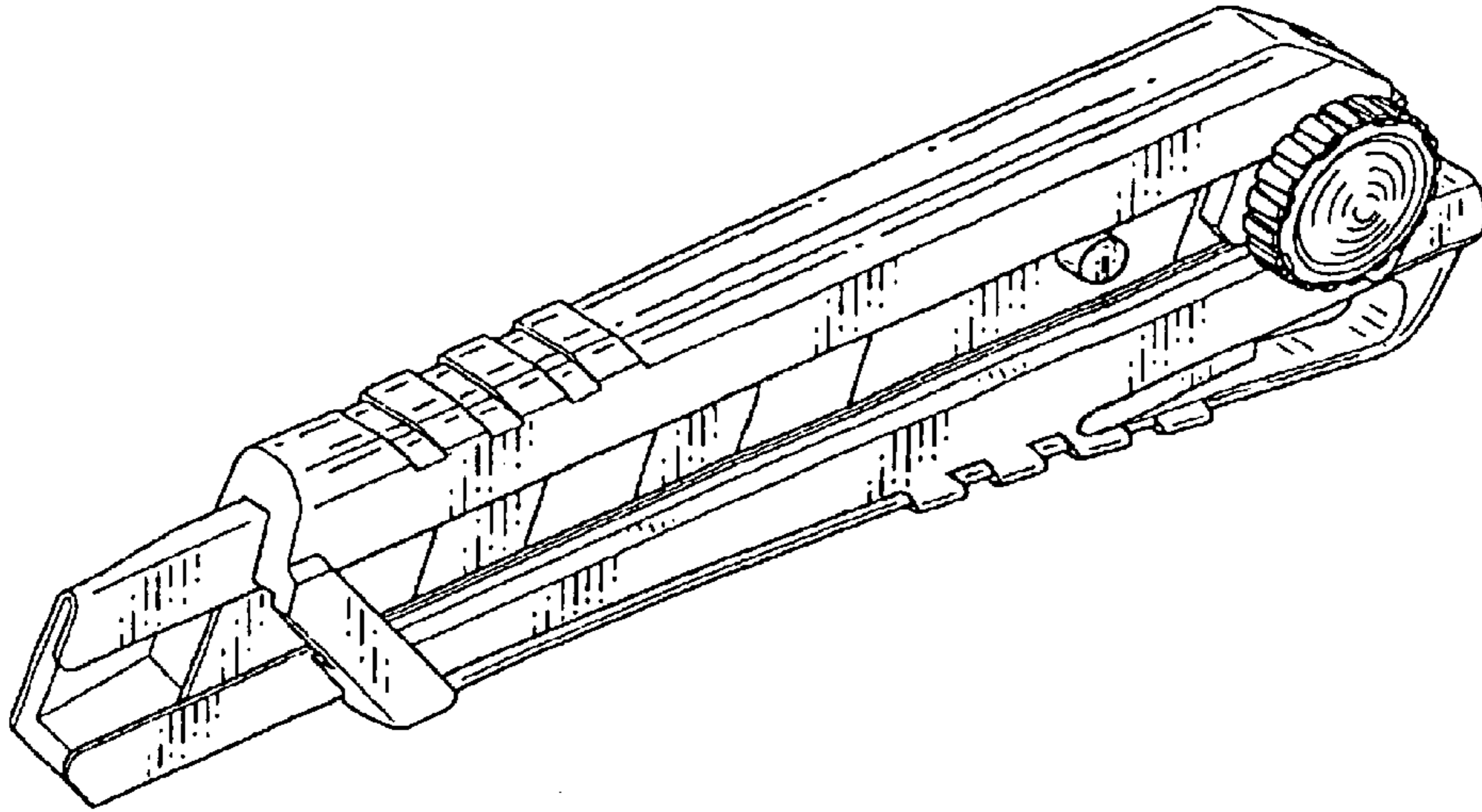


FIG. 2

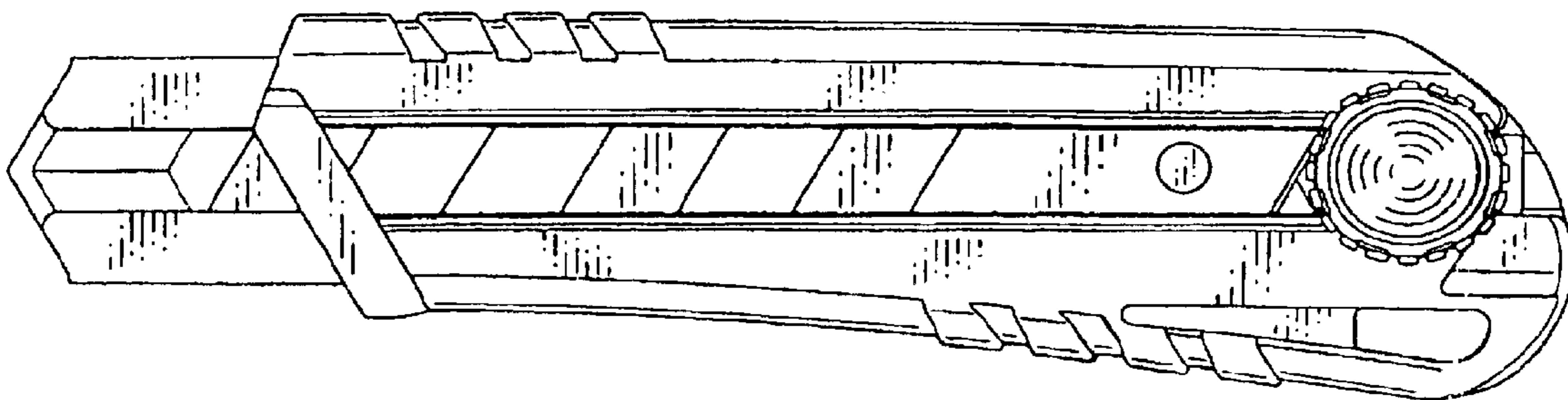


FIG. 3

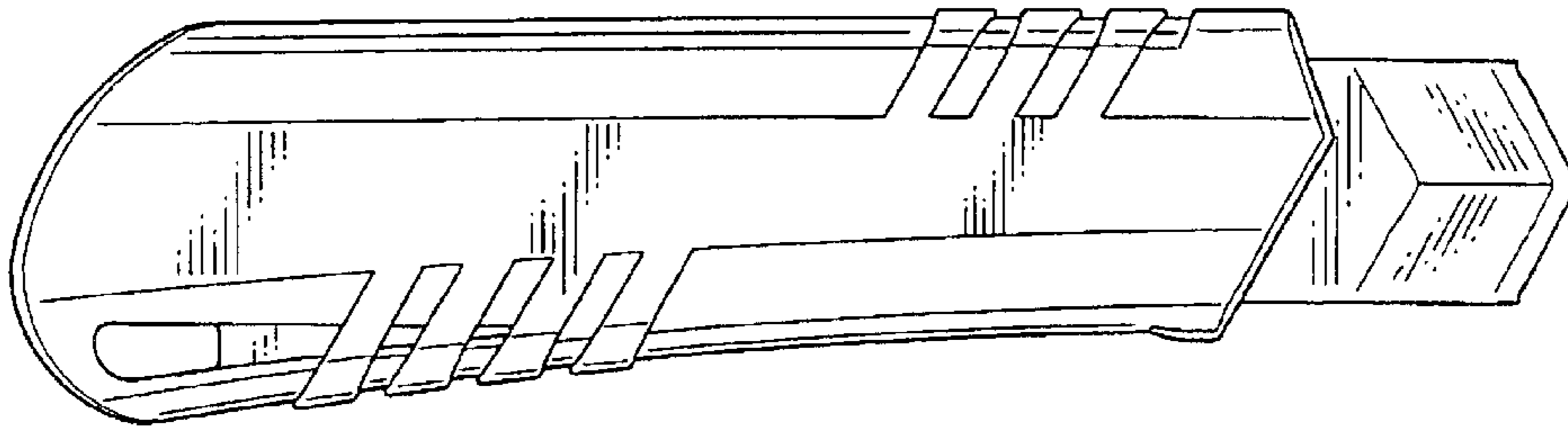


FIG. 4

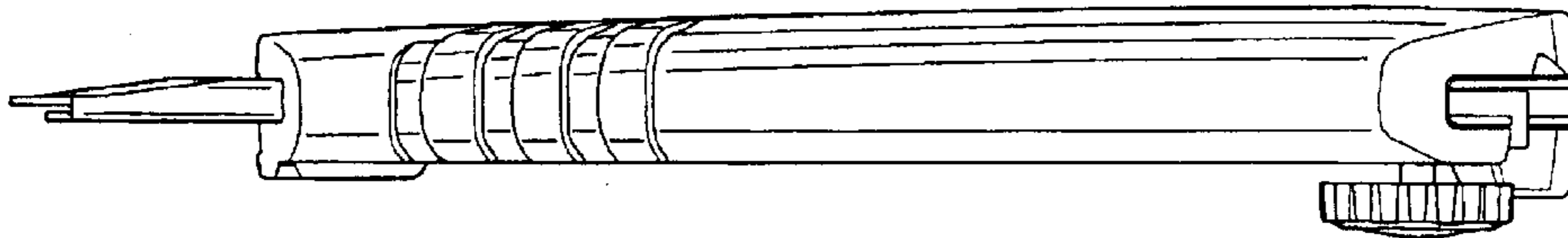


FIG. 5

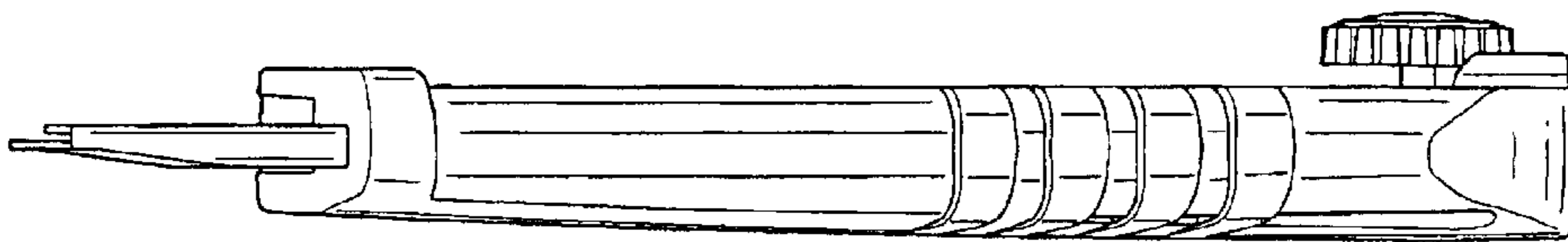


FIG. 6

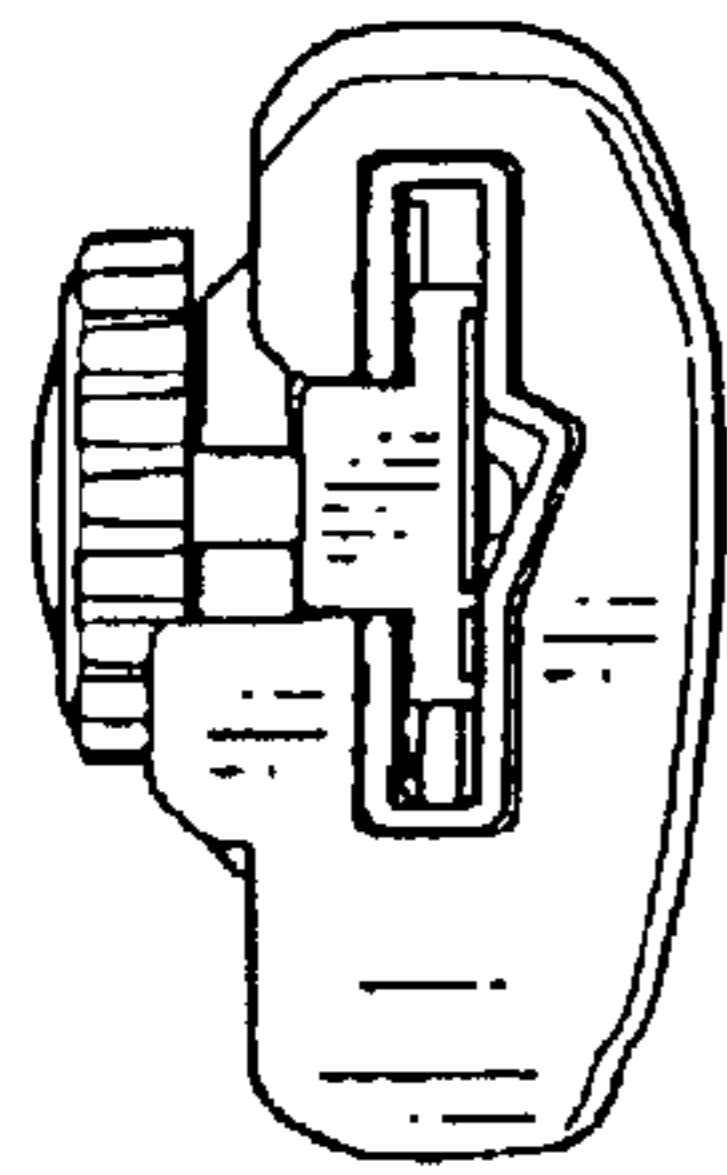


FIG. 7

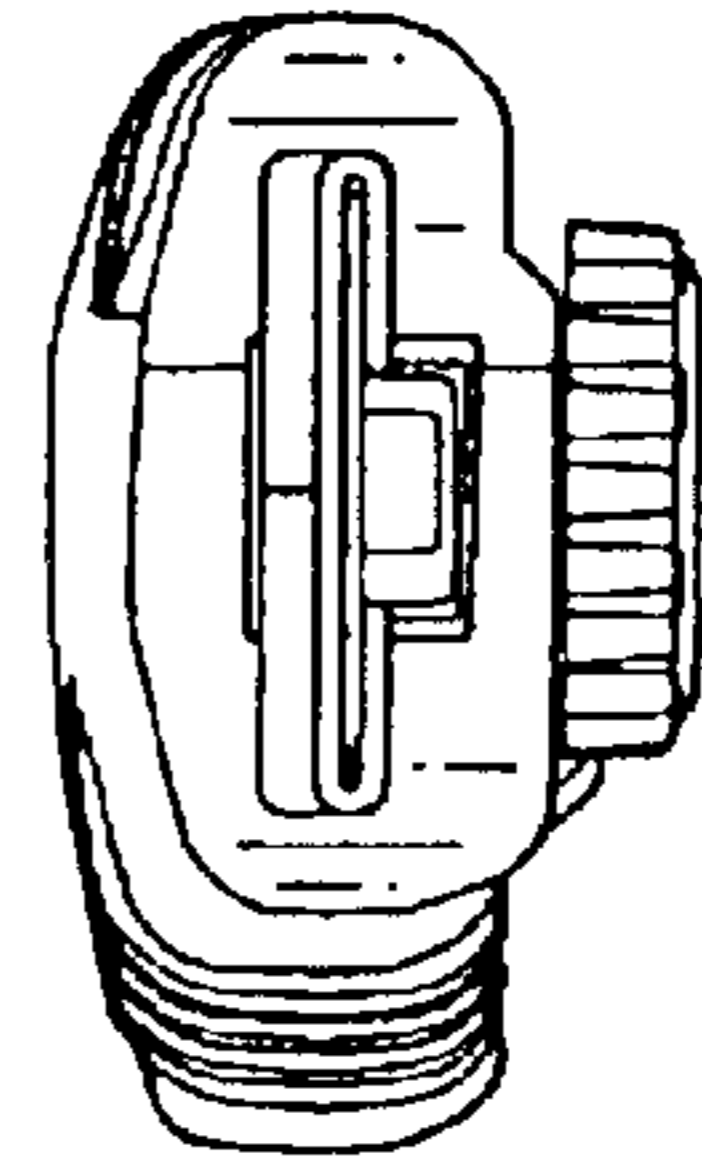


FIG. 8

