

US00D499946S

(12) **United States Design Patent** (10) **Patent No.:** **US D499,946 S**  
**Stirm** (45) **Date of Patent:** **\*\* Dec. 21, 2004**

(54) **DUST EXTRACTOR**

D334,331 S \* 3/1993 Kikuchi ..... D8/70

(75) Inventor: **Michael Stirm**, Oberursel (DE)

(List continued on next page.)

(73) Assignee: **Black & Decker Inc.**, Newark, DE (US)

**FOREIGN PATENT DOCUMENTS**

(\*\*) Term: **14 Years**

DE	25 48 100 A1	5/1977
DE	27 41 536 A1	3/1979
DE	29 25 908 A1	1/1981
DE	29 40 362 A1	4/1981
DE	35 16 099 A1	11/1986
EP	0 434 295 A2	6/1991
EP	1 245 330 A2	10/2002
GB	1 431 353	4/1976
GB	1 569 532	6/1980

(21) Appl. No.: **29/190,751**

(22) Filed: **Sep. 25, 2003**

(30) **Foreign Application Priority Data**

Mar. 28, 2003 (GB) ..... 3011994

**OTHER PUBLICATIONS**

(51) **LOC (7) Cl.** ..... **08-05**

Hilti; TE 5 Dust Removal System Module; Hilti USA; Nov. 12, 2003, located @ [http://www.us.hilti.com/holus/modules/prcat/prca\\_navigation.jsp?OID=-12011](http://www.us.hilti.com/holus/modules/prcat/prca_navigation.jsp?OID=-12011).

(52) **U.S. Cl.** ..... **D8/70**

(58) **Field of Search** ..... D8/70, 61, 62, D8/63, 64, 65, 66, 67, 68, 69; D15/138, 139; 30/124, 390, 475; 173/75; 451/164, 344, 351, 353, 356, 357, 359, 442, 453, 456; 408/67, 241 S

*Primary Examiner*—Joel Sincavage

*Assistant Examiner*—T. Chase Nelson

(74) *Attorney, Agent, or Firm*—Michael P. Leary; Charles E. Yocum; Adan Ayala

(56) **References Cited**

(57) **CLAIM**

**U.S. PATENT DOCUMENTS**

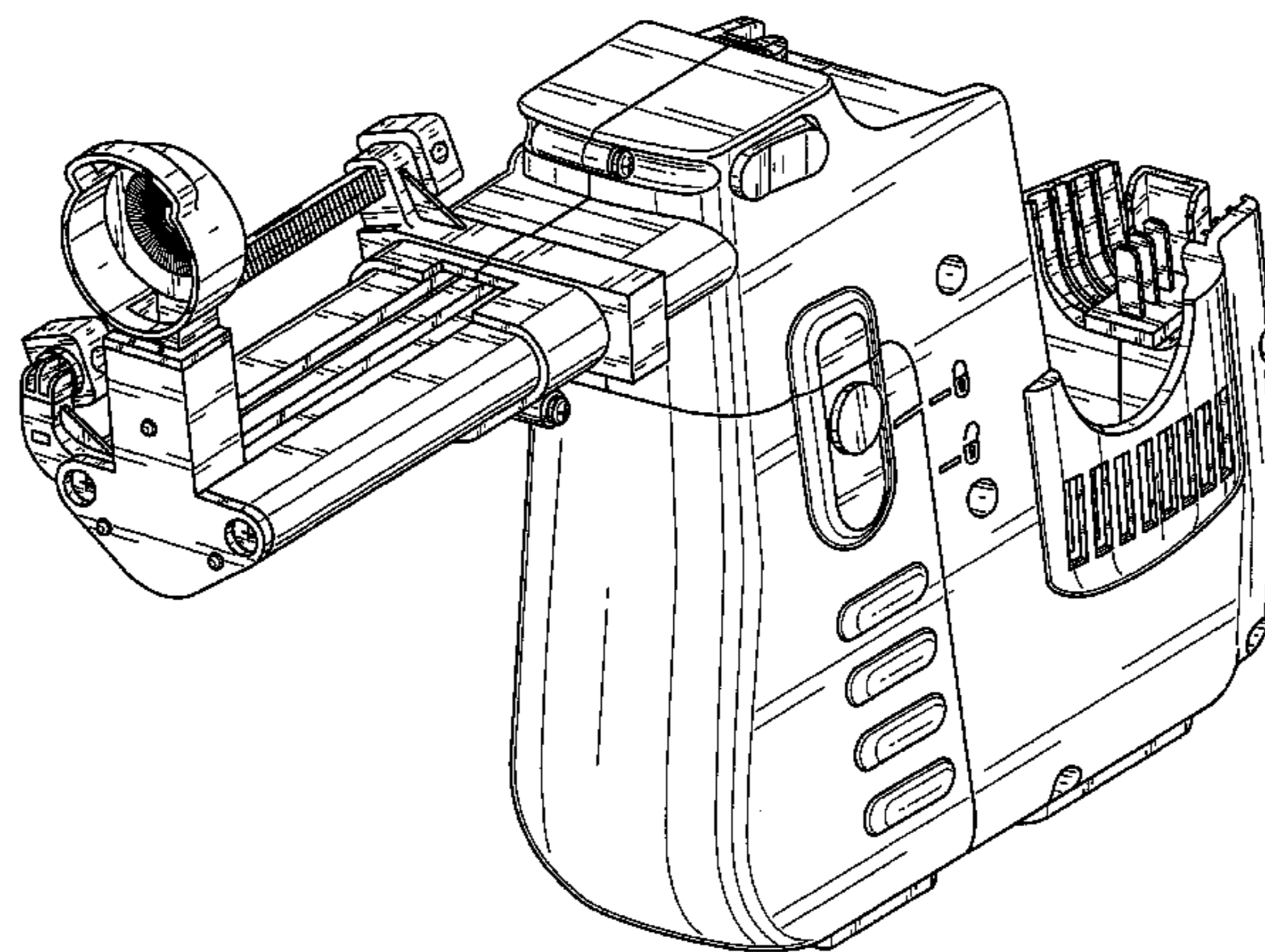
The ornamental design for a dust extractor, as shown and described.

3,850,254 A	11/1974	Hirdes	
4,064,952 A	12/1977	Lechner	
4,097,176 A	6/1978	Wanner et al.	
4,101,238 A	7/1978	Reibetanz et al.	
4,192,390 A	3/1980	Wanner et al.	
4,205,728 A	6/1980	Gloor et al.	
4,207,953 A	6/1980	Reibetanz et al.	
4,250,971 A	2/1981	Reibetanz et al.	
4,256,422 A	3/1981	Theissig et al.	
4,765,099 A *	8/1988	Tanner	451/359
4,848,980 A	7/1989	Broussard	
D305,607 S	1/1990	Andrews	
4,921,375 A	5/1990	Famulari	
5,034,041 A	7/1991	Austin	
5,081,123 A	1/1992	Honore et al.	
5,090,499 A	2/1992	Cuneo	
5,113,951 A	5/1992	Houben et al.	
5,125,190 A *	6/1992	Buser et al.	451/359
5,129,467 A	7/1992	Watanabe et al.	
D334,330 S *	3/1993	Moshhammer	D8/70

**DESCRIPTION**

FIG. 1 is a left/front perspective view of a dust extractor showing my new design.  
FIG. 2 is a left/rear perspective view thereof.  
FIG. 3 is a right/front perspective view thereof.  
FIG. 4 is a right/rear perspective view thereof.  
FIG. 5 is a left side elevational view thereof.  
FIG. 6 is a right side elevational view thereof.  
FIG. 7 is a top plan view thereof.  
FIG. 8 is a bottom plan view thereof.  
FIG. 9 is a front elevational view thereof.  
FIG. 10 is a rear elevational view thereof.  
FIG. 11 is a front perspective view thereof with the telescoping suction tube retracted; and,  
FIG. 12 is a left side elevational view thereof with the telescoping suction tube retracted.

**1 Claim, 11 Drawing Sheets**



# US D499,946 S

Page 2

---

## U.S. PATENT DOCUMENTS

5,199,501 A	4/1993	Kluber et al.		
5,349,752 A *	9/1994	Stirm .....	30/124	
5,411,433 A *	5/1995	Keller .....	451/453	
5,467,835 A	11/1995	Obermeier et al.		
5,545,082 A *	8/1996	Courson et al. ....	451/359	
D376,526 S	12/1996	Hepburn		
5,688,082 A	11/1997	Richardson		
D392,531 S	3/1998	Richardson		
D407,617 S *	4/1999	Cooper et al. ....	D8/70	
5,904,453 A	5/1999	Gavia		
6,200,075 B1	3/2001	Gaskin et al.		
D442,452 S *	5/2001	Stirm et al. ....	D8/69	
6,318,352 B1 *	11/2001	Gnazzo et al. ....	30/124	
D466,780 S *	12/2002	Stirm .....	D8/69	
6,557,261 B1 *	5/2003	Buser et al. ....	30/124	
2002/0141836 A1	10/2002	Ege et al.		

\* cited by examiner

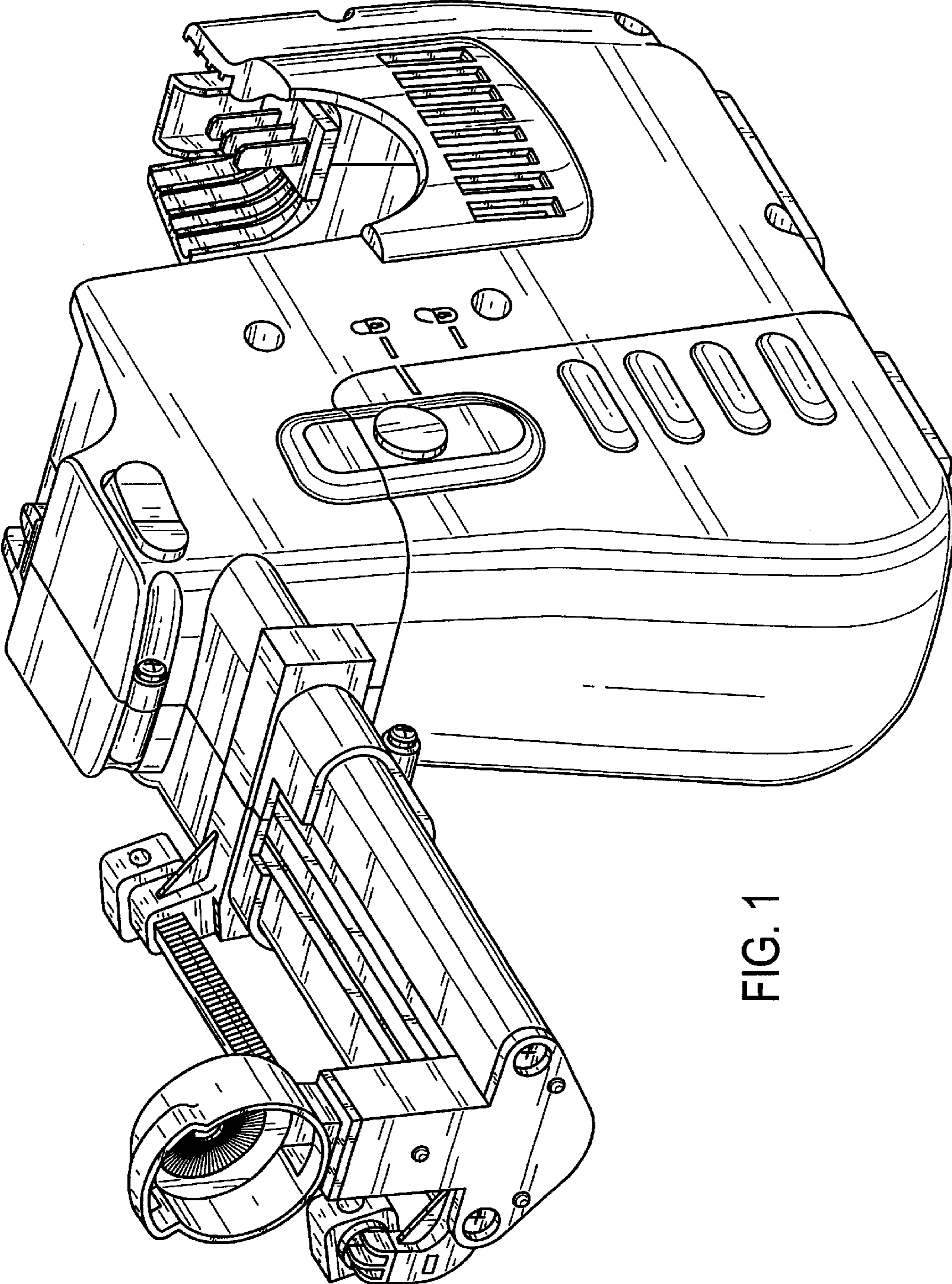


FIG. 1

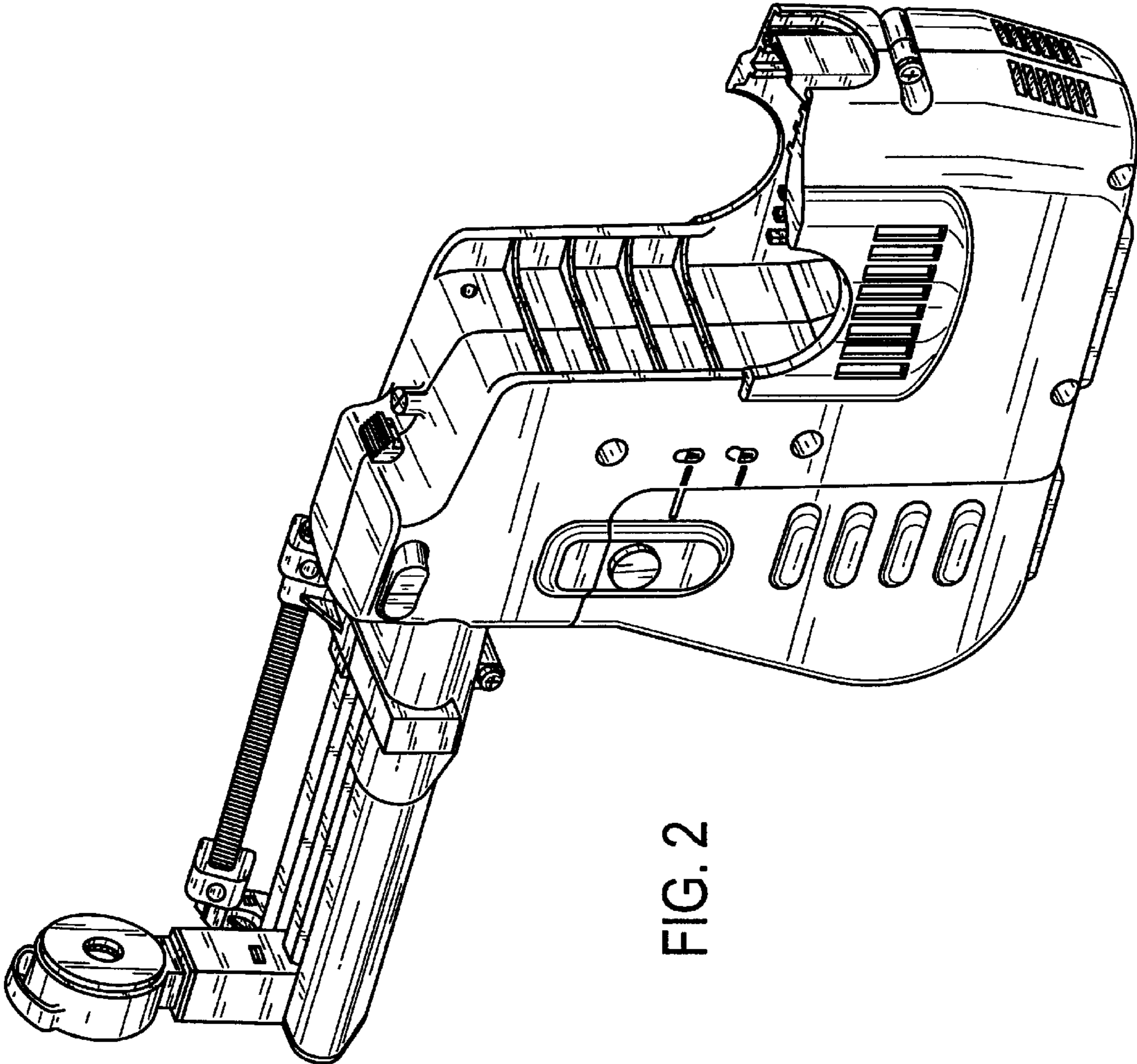


FIG. 2

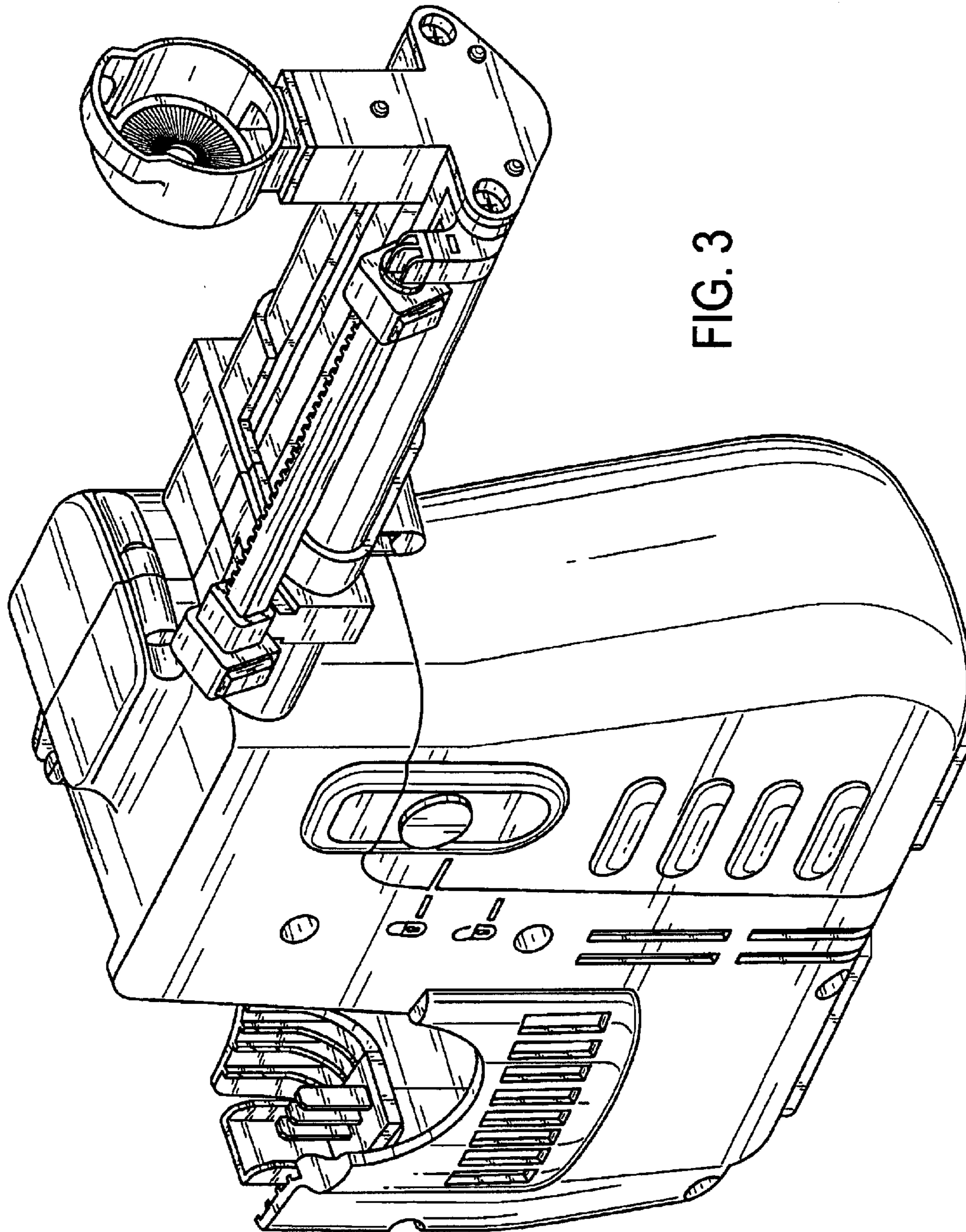


FIG. 3

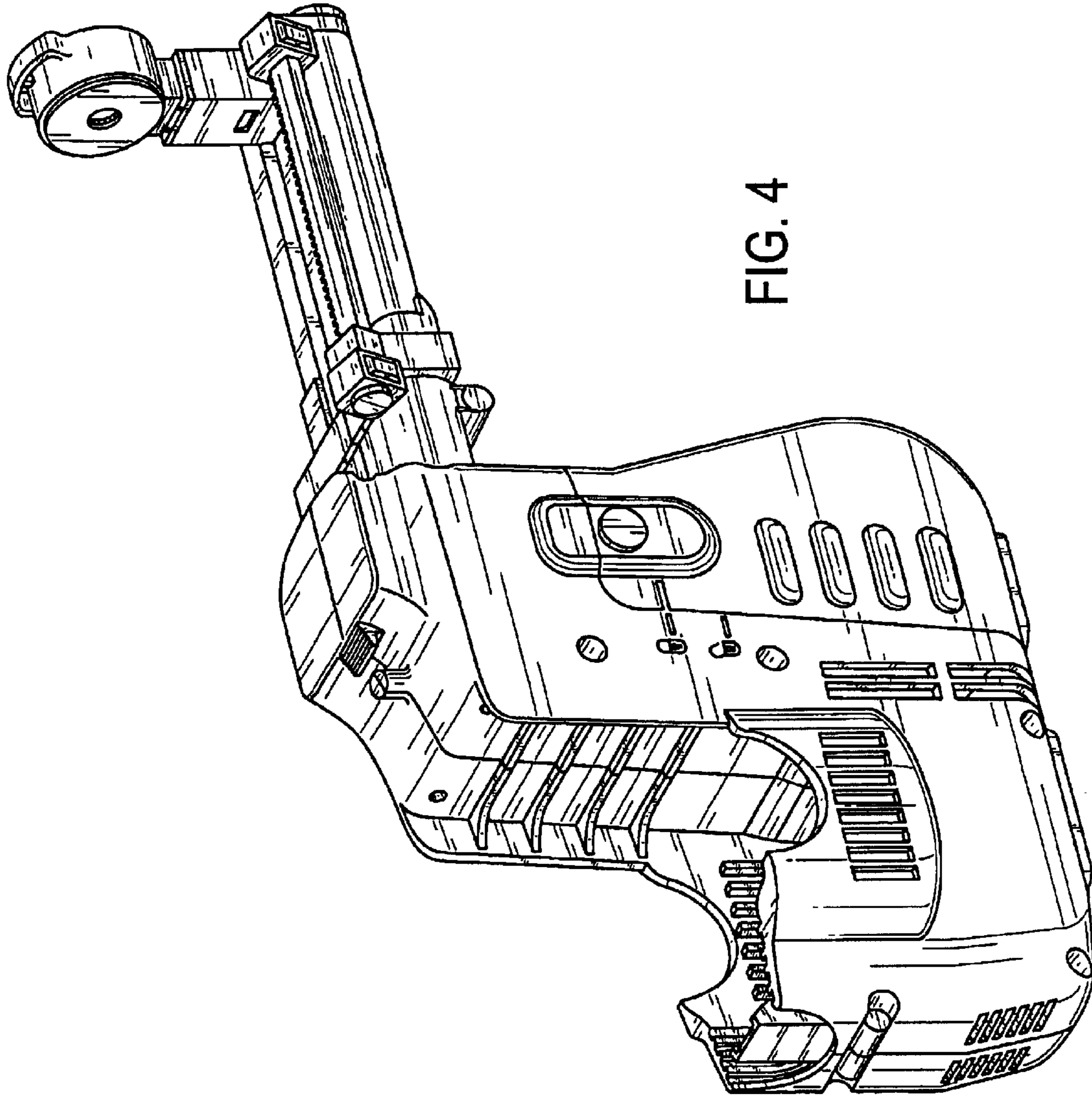


FIG. 4

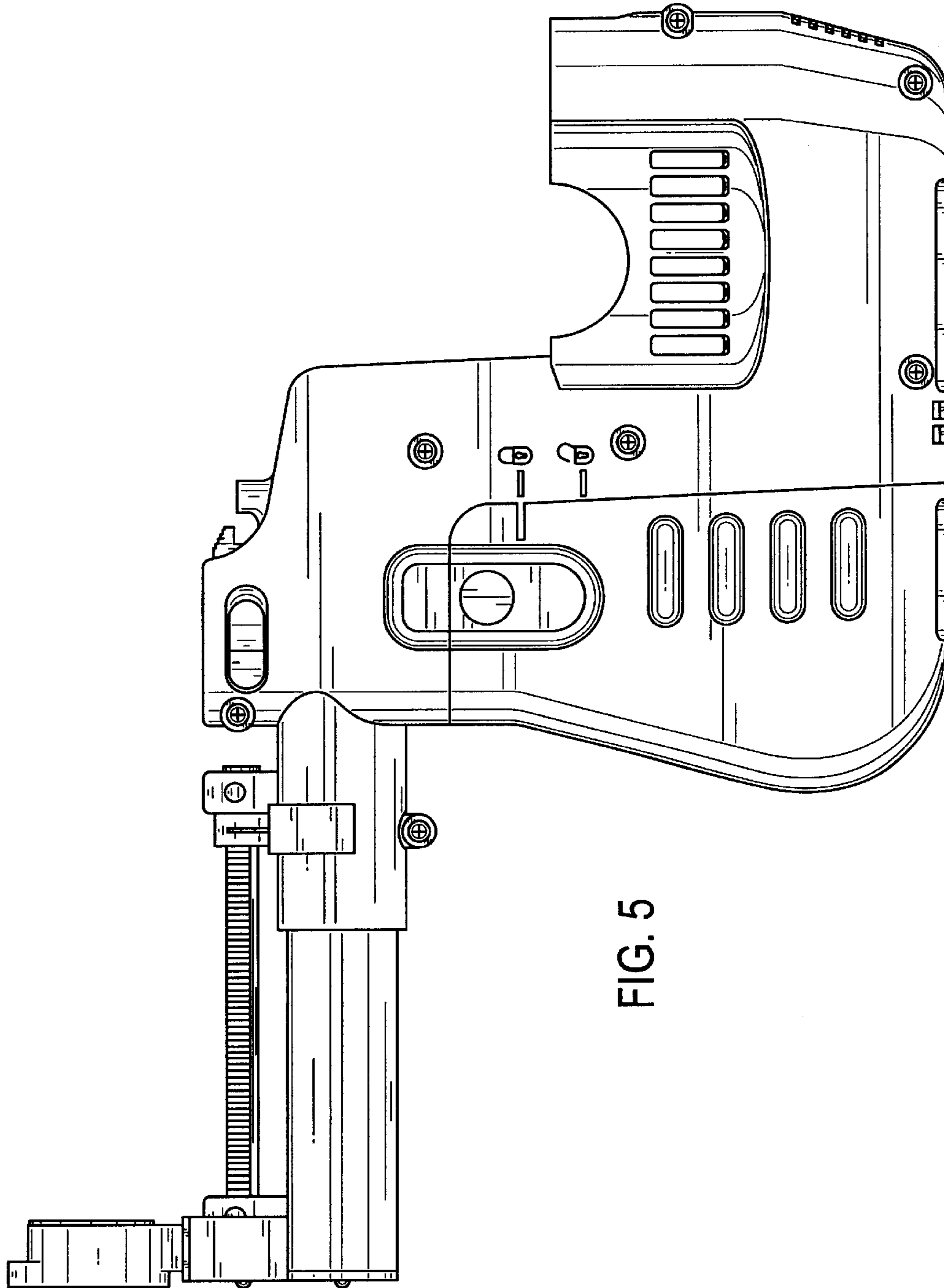
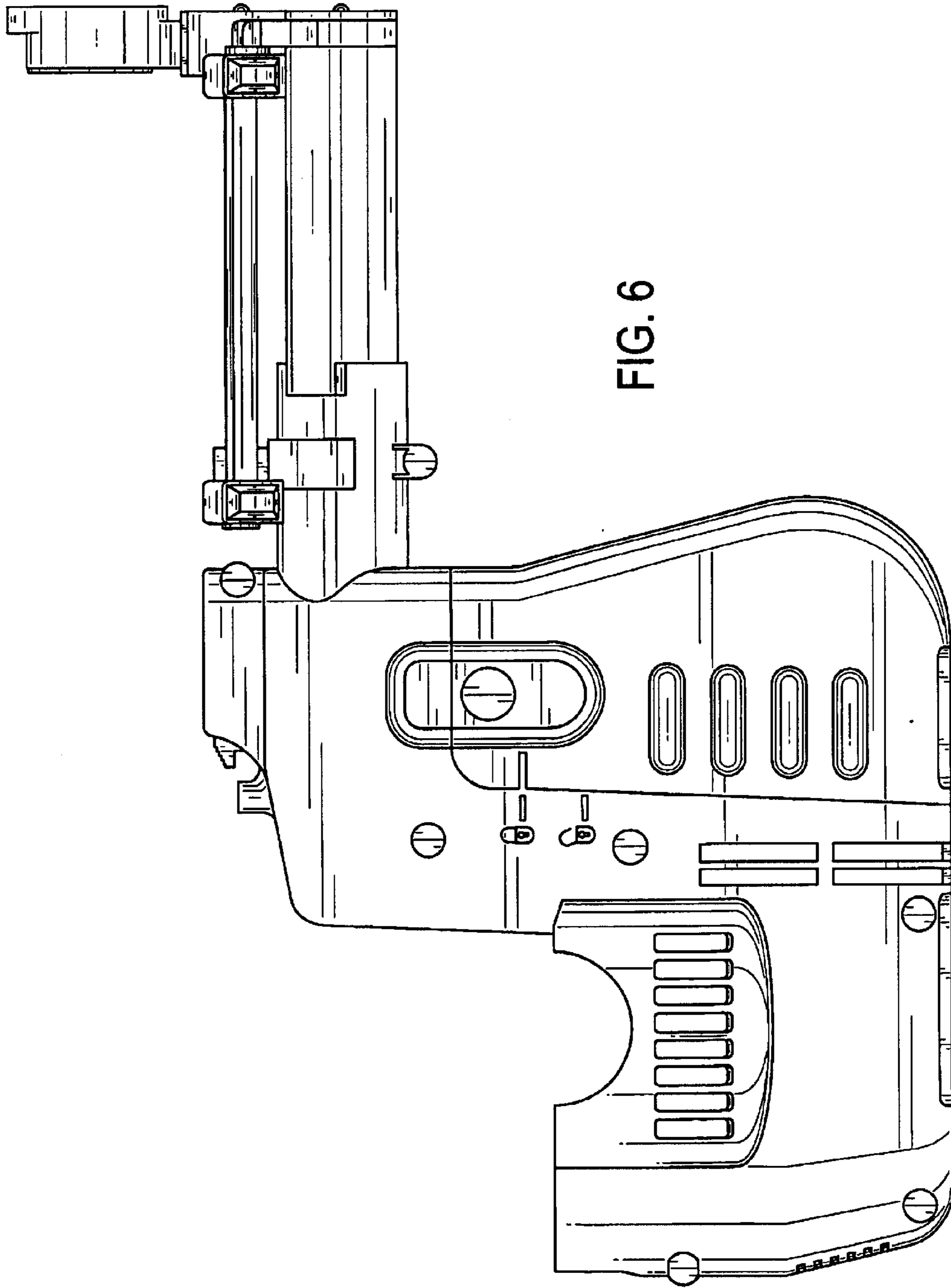


FIG. 5





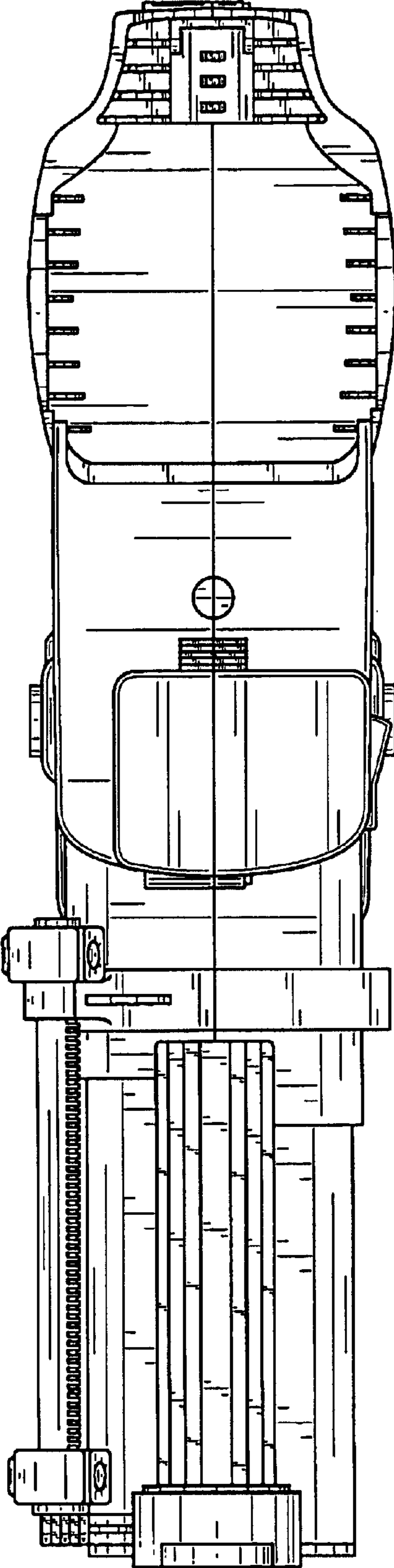


FIG. 7

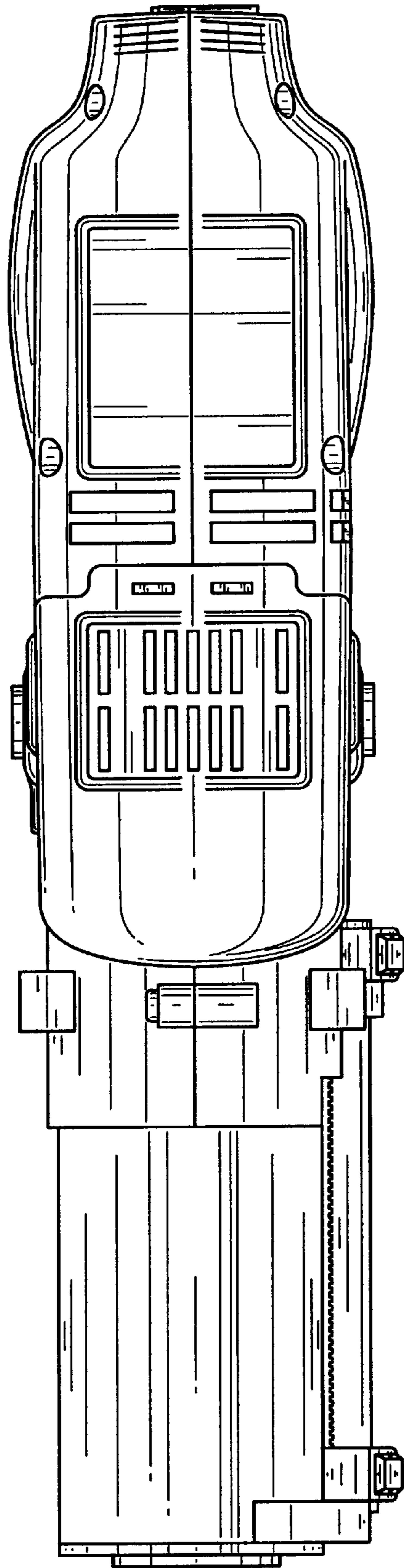


FIG. 8

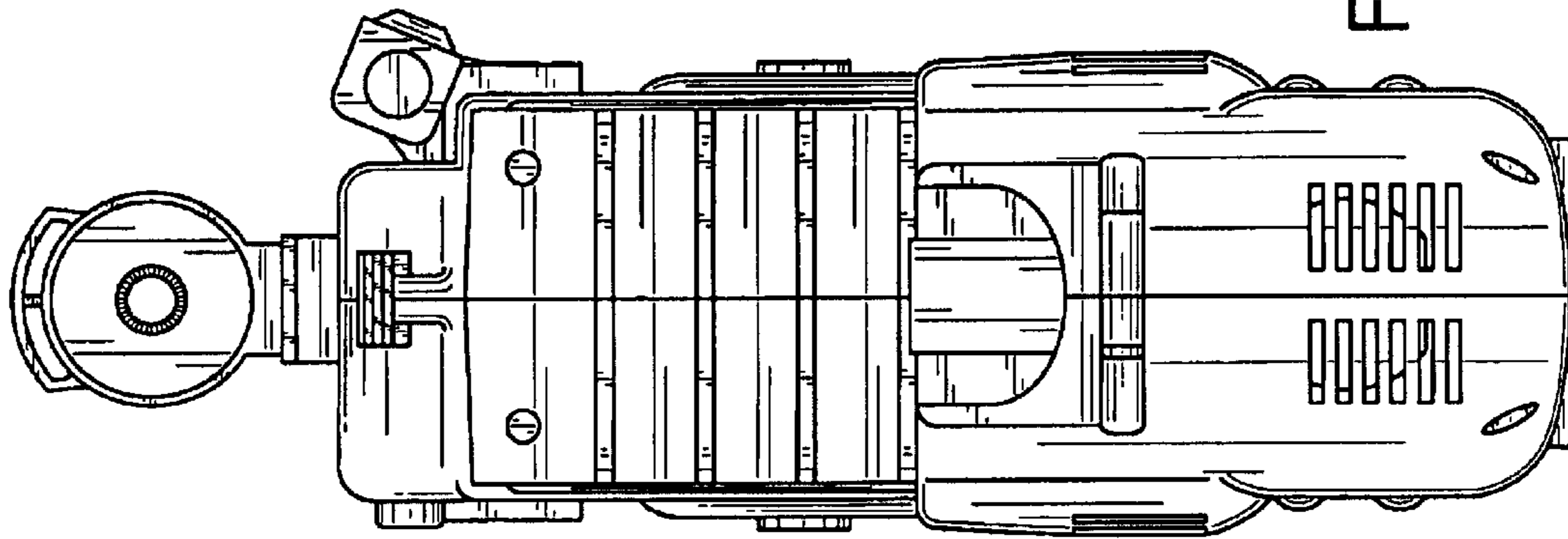


FIG. 10

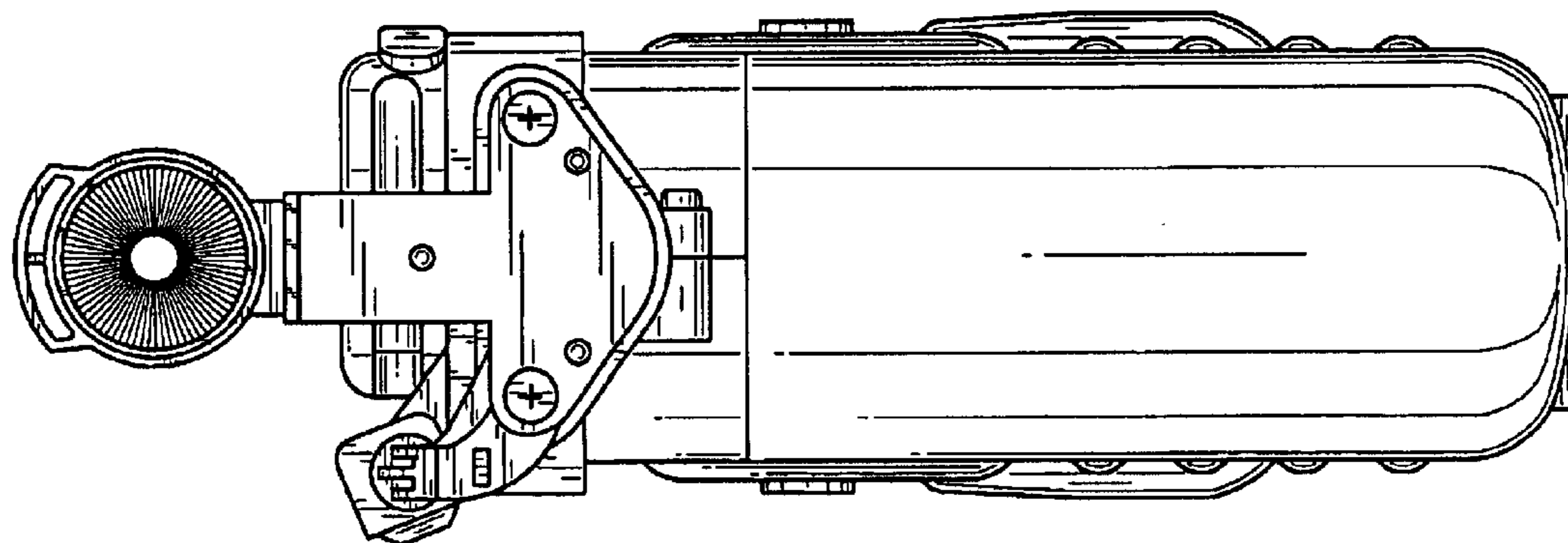


FIG. 9

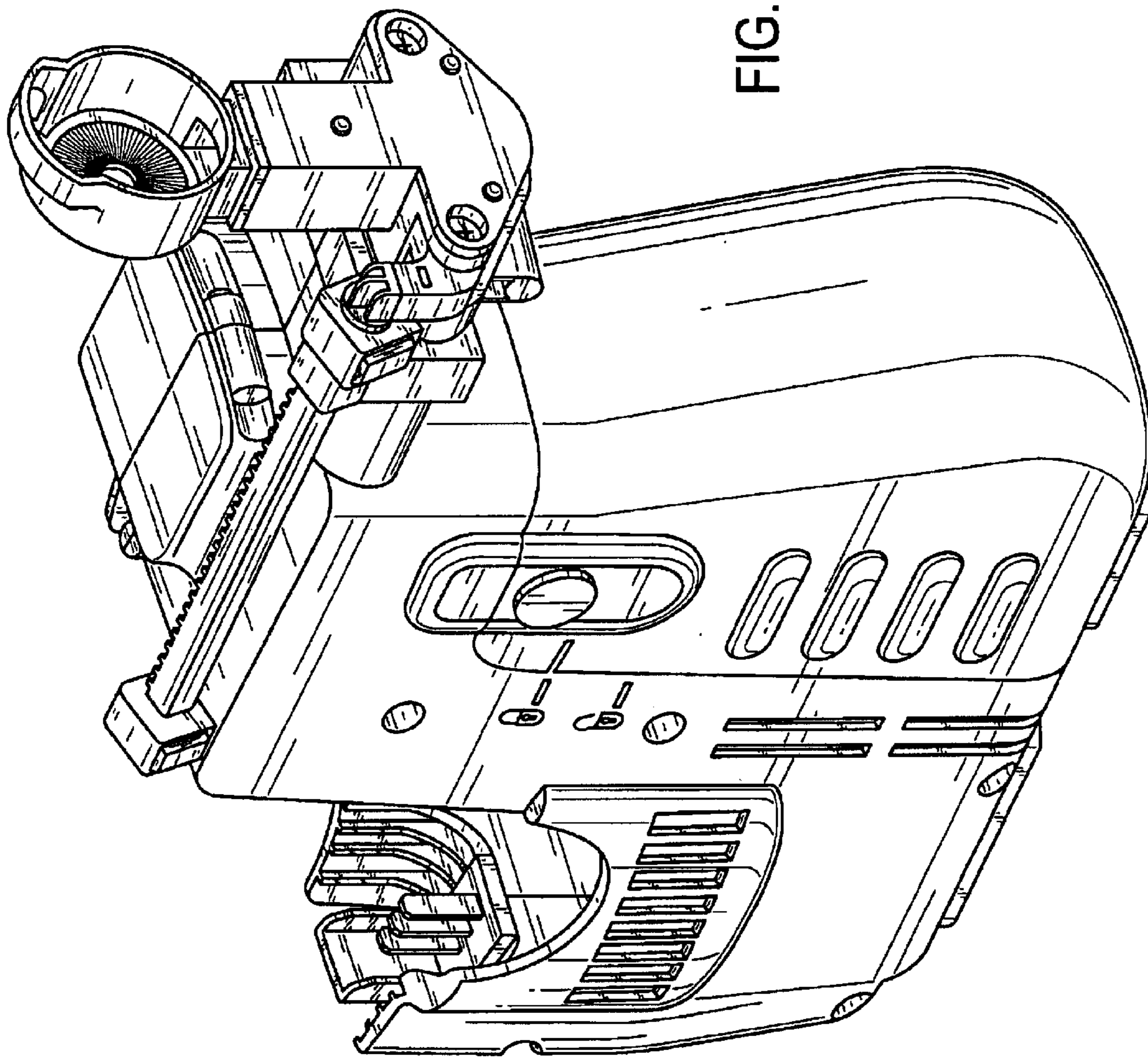


FIG. 11

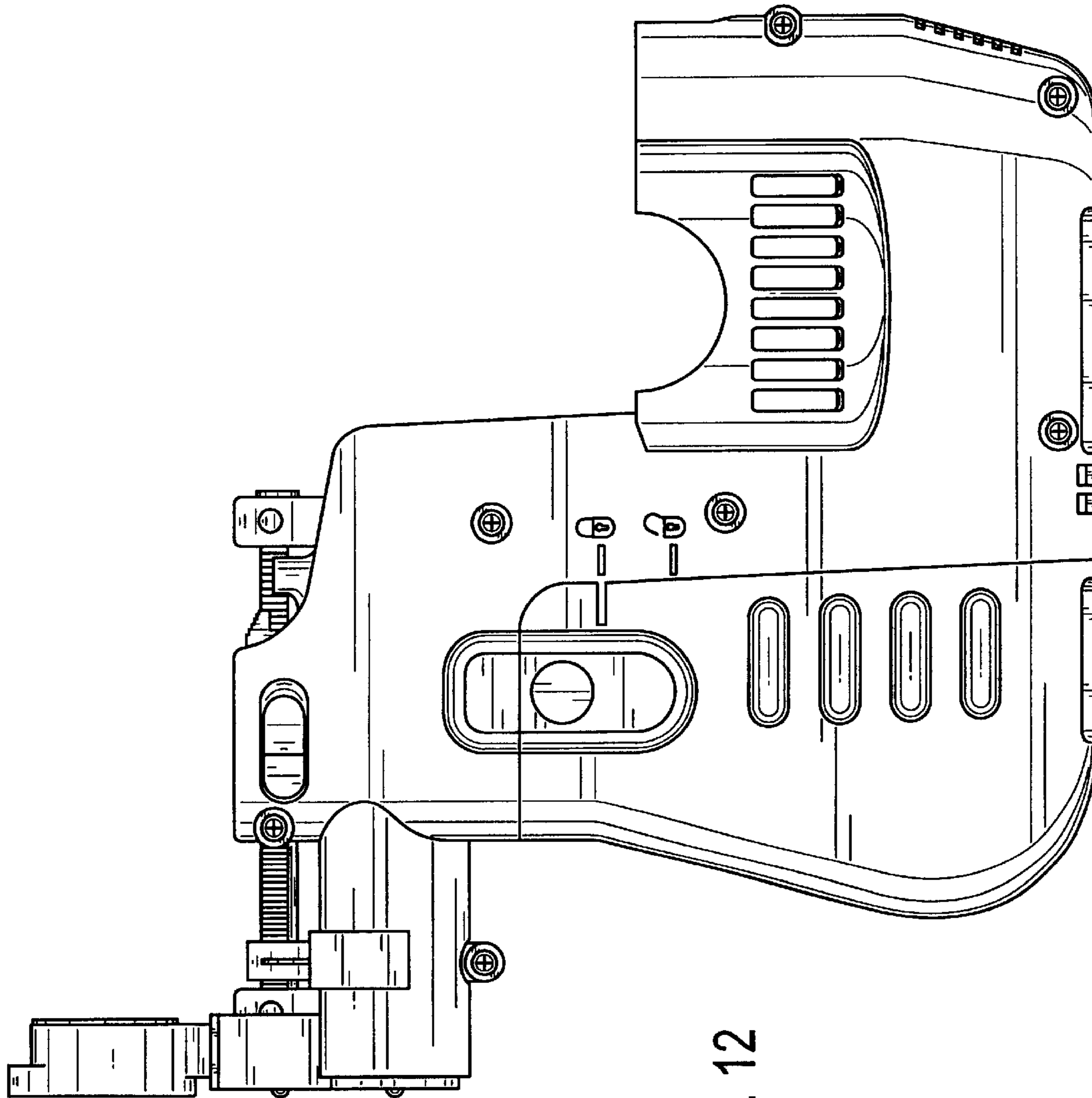


FIG. 12