



US00D499945S

(12) **United States Design Patent**
Sugawara et al.

(10) **Patent No.:** **US D499,945 S**

(45) **Date of Patent:** **** Dec. 21, 2004**

(54) **IMPACT DRIVER**

(75) Inventors: **Nobuhisa Sugawara**, Hitachinaka (JP);
Takashi Ozawa, Hitachinaka (JP);
Yasuo Etou, Hitachinaka (JP)

(73) Assignee: **Hitachi Koki Co., Ltd.**, Tokyo (JP)

(**) Term: **14 Years**

(21) Appl. No.: **29/186,489**

(22) Filed: **Jul. 17, 2003**

(30) **Foreign Application Priority Data**

Jan. 17, 2003 (JP) 2003-001099

(51) **LOC (7) Cl.** **08-05**

(52) **U.S. Cl.** **D8/68**

(58) **Field of Search** D8/14.1, 61, 62,
D8/63, 64, 65, 66, 67, 68, 69, 70; 81/57.11,
429, 464, 465, 466, 469, 489; 173/13, 169,
178, 213, 217; 227/8, 114, 120, 130, 136,
142; 310/50; 408/20, 124, 125, 234, 241 R;
451/358

(56) **References Cited**

U.S. PATENT DOCUMENTS

- 5,738,177 A * 4/1998 Schell et al. 173/178
- D419,413 S * 1/2000 Heun D8/68
- D424,902 S * 5/2000 Gildersleeve et al. D8/68
- D440,850 S * 4/2001 Ozawa et al. D8/68
- 6,457,535 B1 * 10/2002 Tanaka 173/178

- D475,596 S * 6/2003 Ozawa et al. D8/68
- D477,205 S * 7/2003 Sakai et al. D8/68
- D482,253 S * 11/2003 Cooper et al. D8/68
- D484,385 S * 12/2003 Sakai et al. D8/68
- 6,679,406 B2 * 1/2004 Sakai et al. 173/217
- D489,955 S * 5/2004 Concari et al. D8/68
- 6,729,415 B1 * 5/2004 Huang 310/50
- 6,745,883 B2 * 6/2004 Eto et al. 173/178
- D492,566 S * 7/2004 Kimura et al. D8/68
- 2003/0159843 A1 * 8/2003 Sakai et al. 173/217

FOREIGN PATENT DOCUMENTS

JP 929887 7/1995

* cited by examiner

Primary Examiner—Joel A. Sincavage

Assistant Examiner—T. Chase Nelson

(74) *Attorney, Agent, or Firm*—Sughrue Mion, PLLC

(57) **CLAIM**

The ornamental design for an impact driver, as shown.

DESCRIPTION

FIG. 1 is a perspective view of the top, front and right side of an impact driver showing our new design; FIG. 2 is a right side elevational view thereof; FIG. 3 is a left side elevational view thereof; FIG. 4 is a front elevational view thereof; FIG. 5 is a rear elevational view thereof; FIG. 6 is a top plan view thereof; and, FIG. 7 is a bottom plan view thereof.

1 Claim, 6 Drawing Sheets

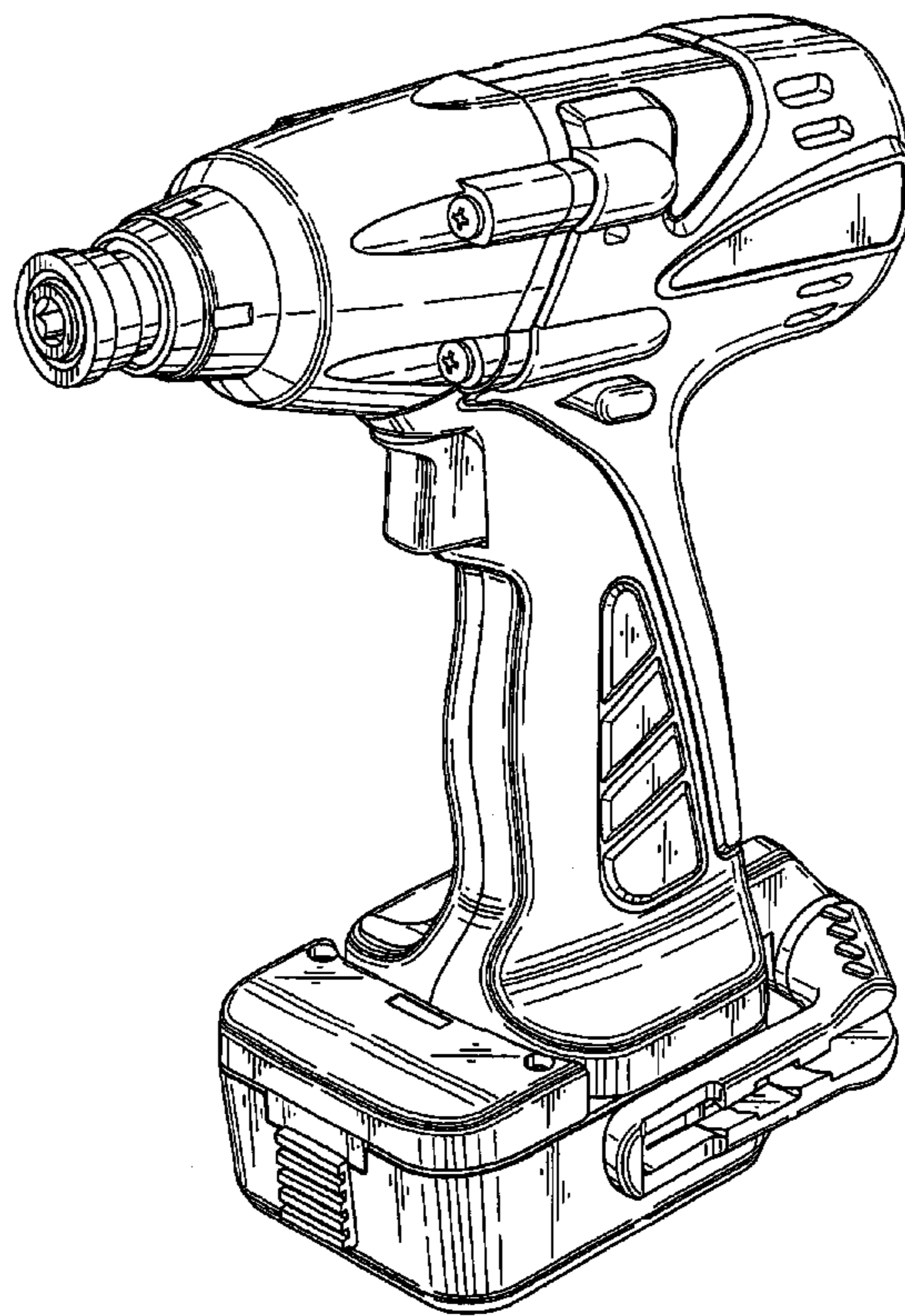


FIG. 1

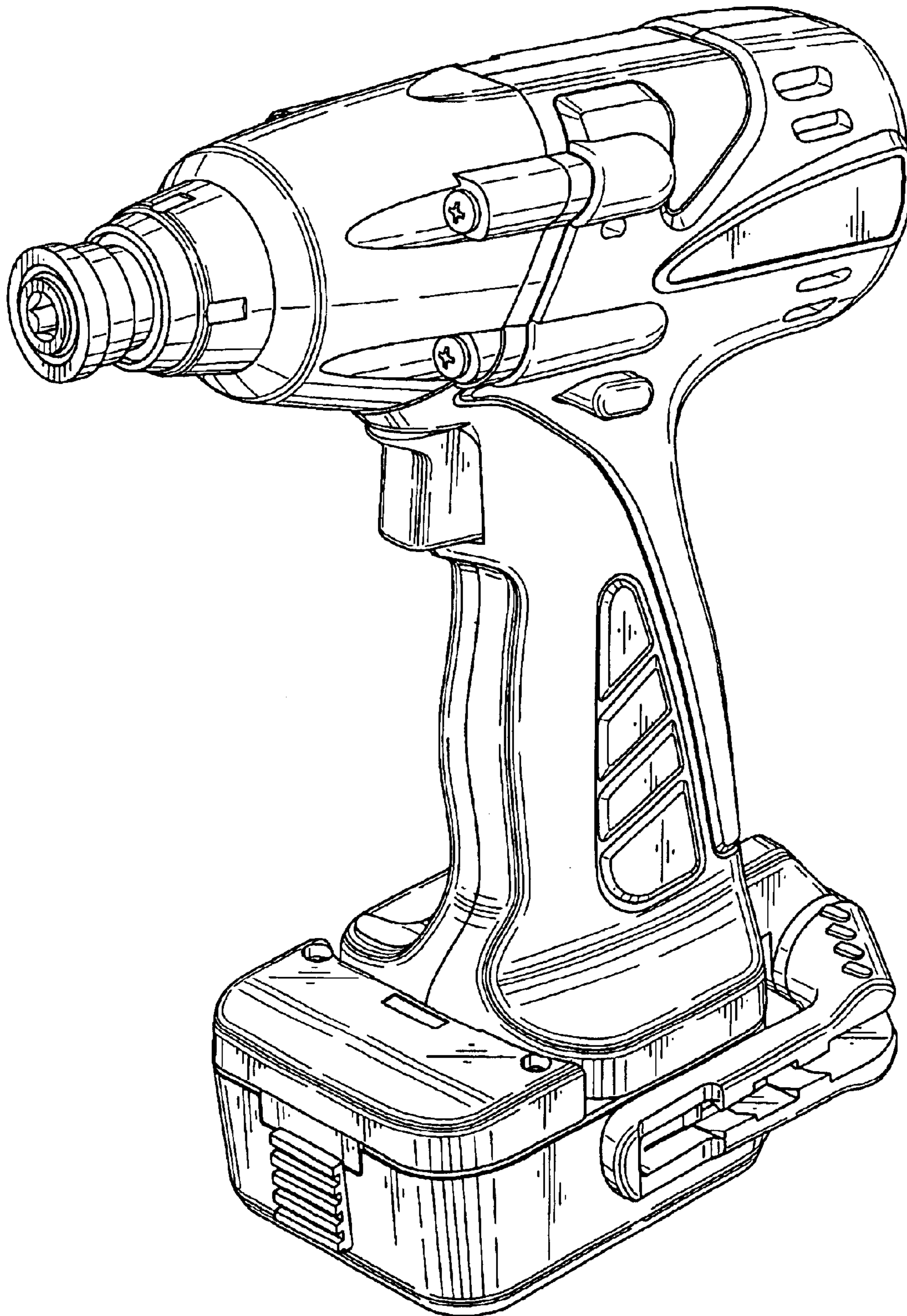


FIG. 2

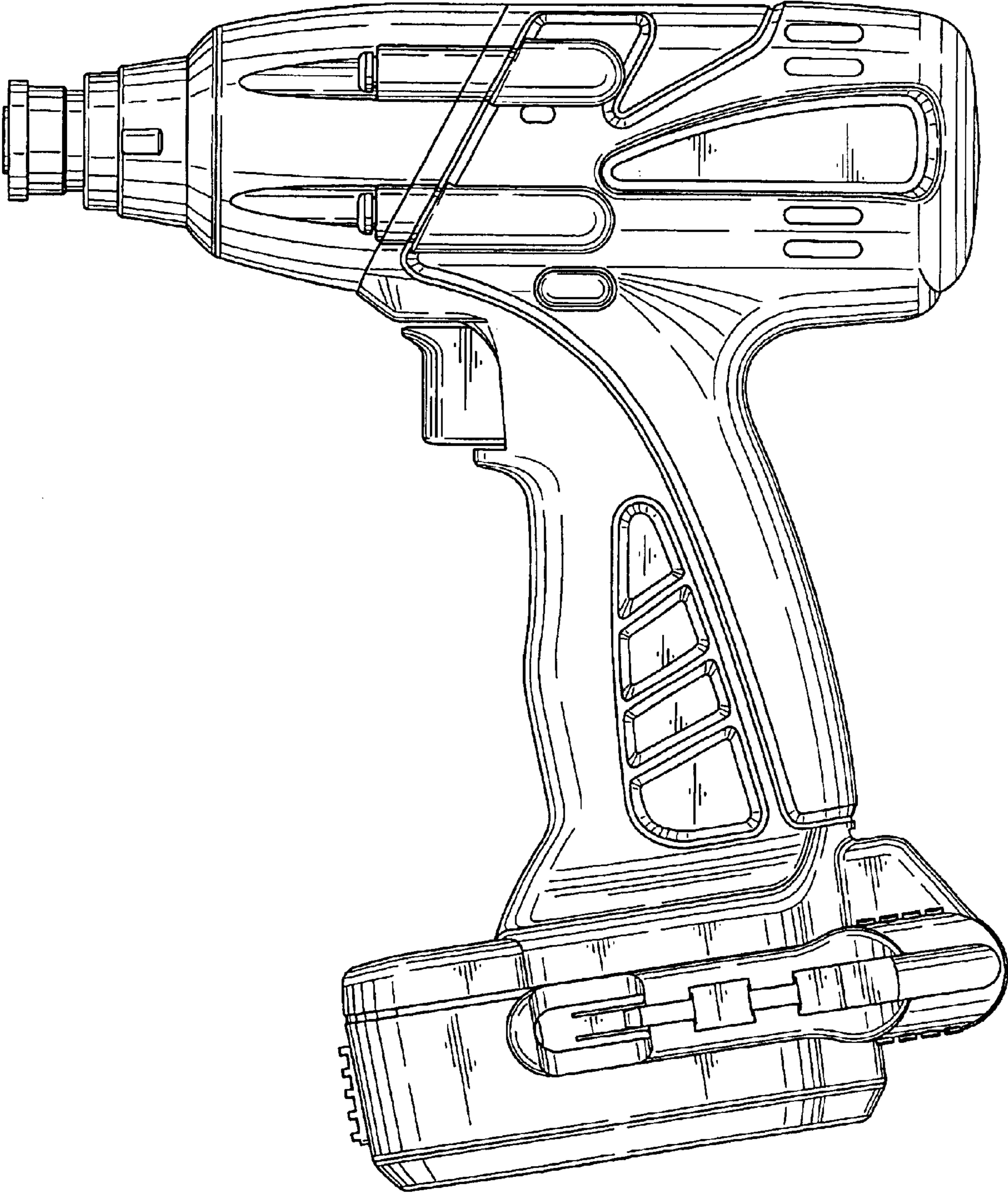


FIG. 3

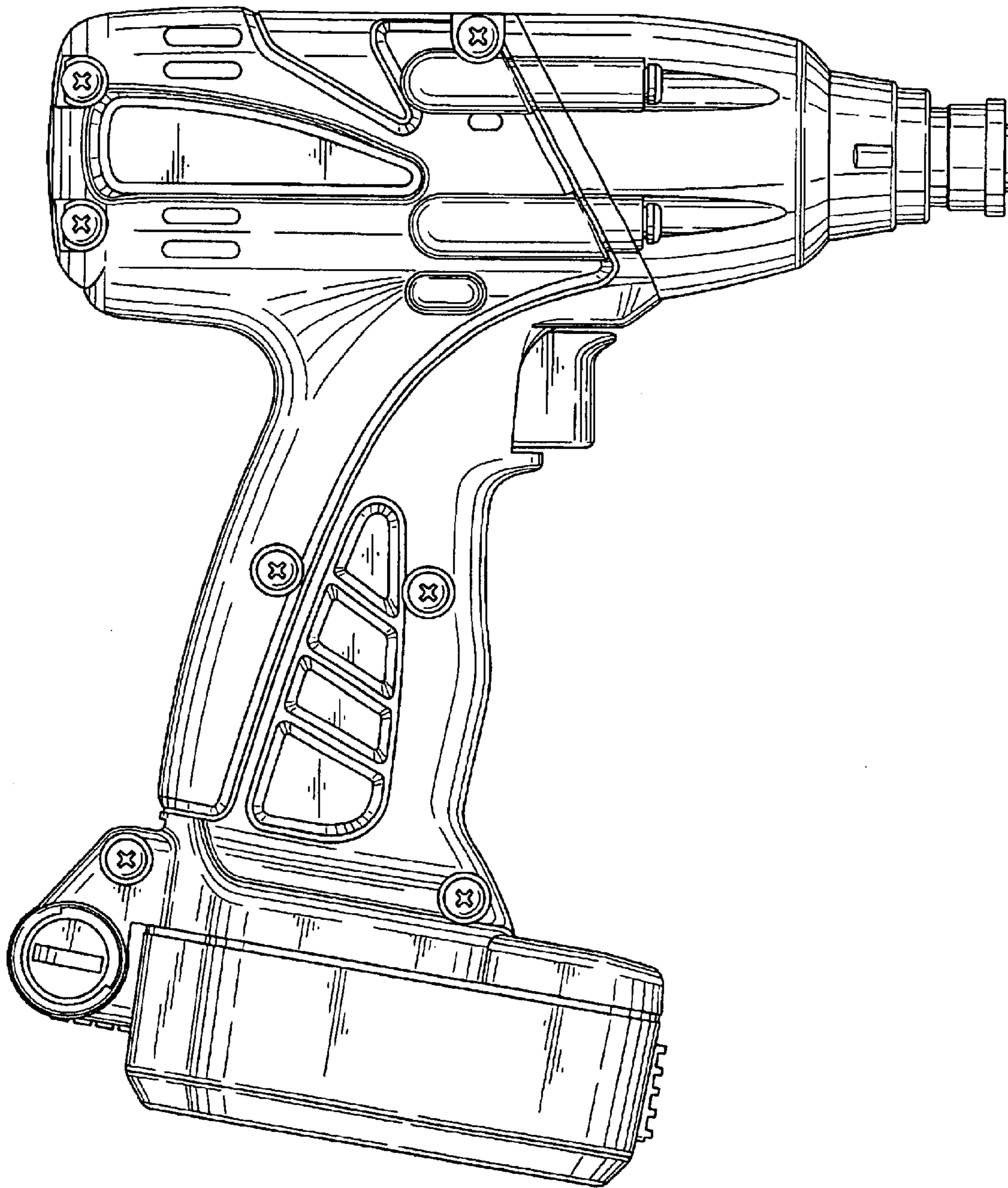


FIG. 4

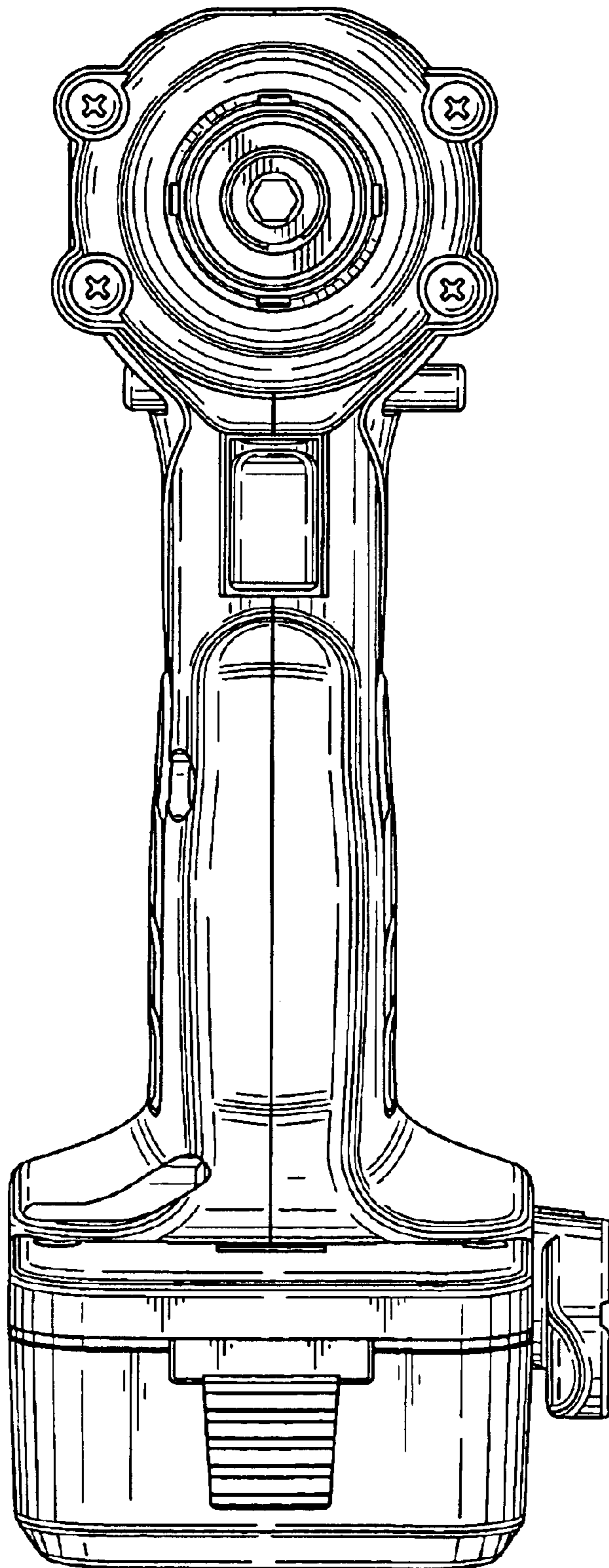


FIG. 5

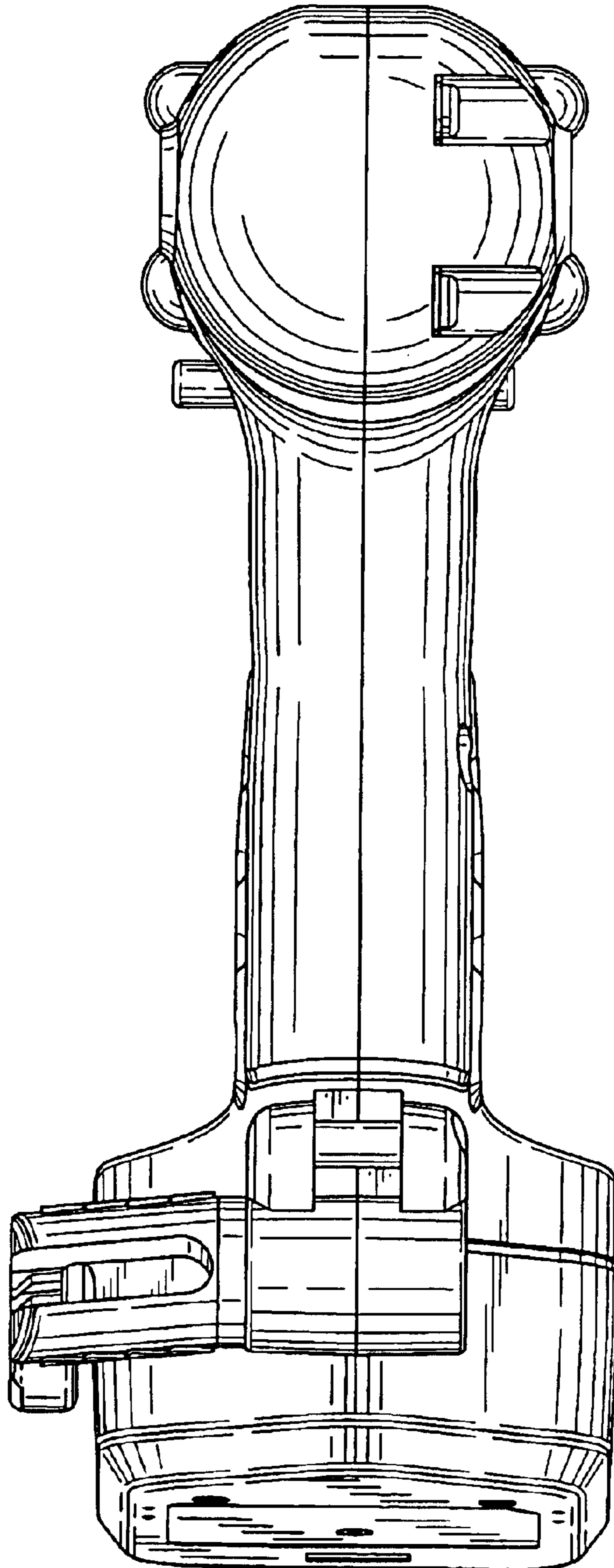


FIG. 6

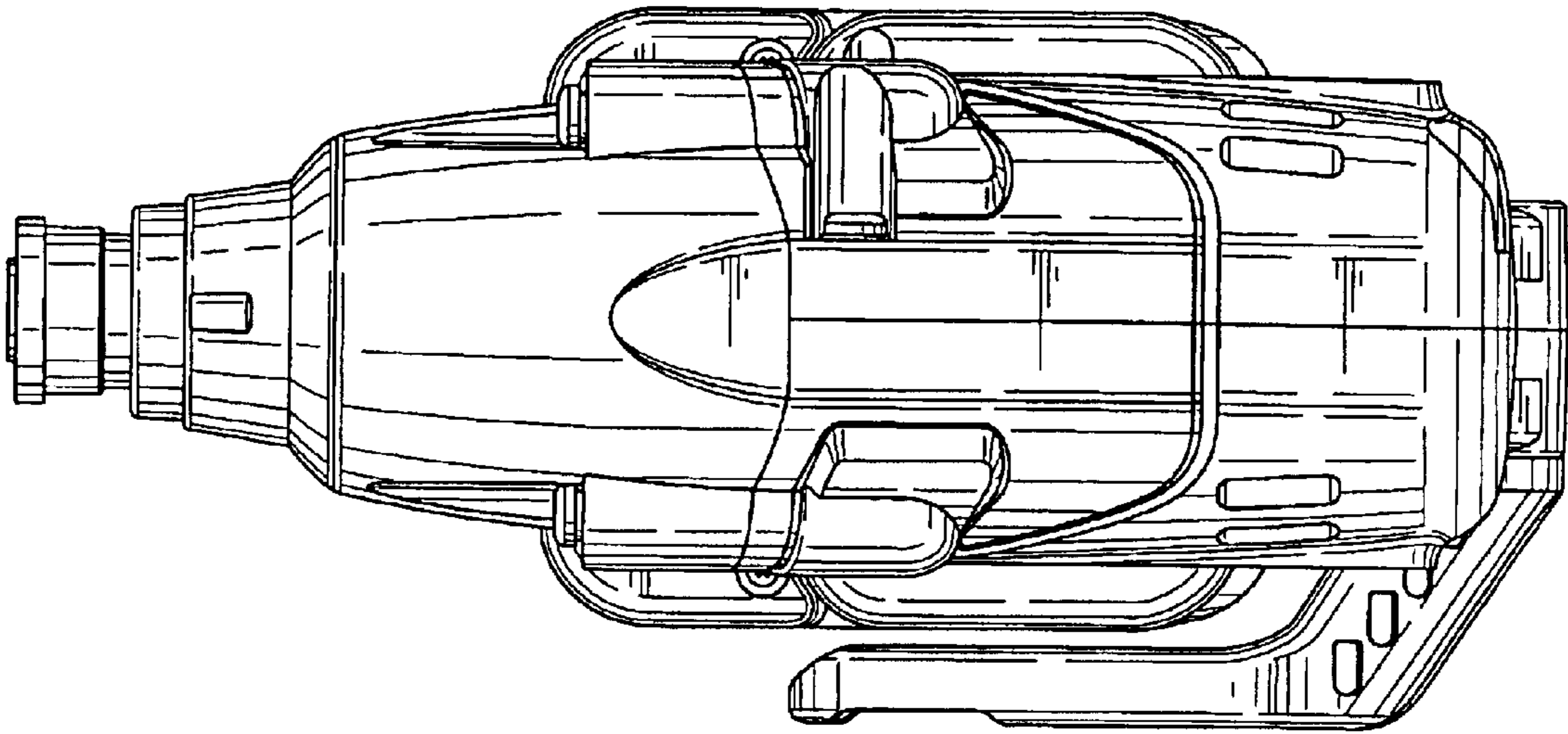


FIG. 7

