

US00D499944S

(12) **United States Design Patent**
Stroby et al.

(10) **Patent No.: US D499,944 S**

(45) **Date of Patent: ** Dec. 21, 2004**

(54) **CUTTING MACHINE**

(75) Inventors: **Anders Stroby**, Vastra Frolunda (SE);
Bengt Arvidsson, Stromsnasbruk (SE)

(73) Assignee: **AB Electrolux (Publ)**, Stockholm (SE)

(**) Term: **14 Years**

(21) Appl. No.: **29/173,638**

(22) Filed: **Jan. 3, 2003**

(30) **Foreign Application Priority Data**

Jul. 5, 2002 (SE) 02-1023

(51) **LOC (7) Cl.** **08-03**

(52) **U.S. Cl.** **D8/64**

(58) **Field of Search** D8/61, 64, 67,
D8/69, 70, 66; 30/373, 374, 375, 376, 377,
388, 389, 391, 392, 393, 394; 83/699.21;
173/170, 216, 217; D24/146

(56) **References Cited**

U.S. PATENT DOCUMENTS

- 3,537,490 A * 11/1970 Shaw et al. D8/64
- 3,583,106 A * 6/1971 Dobbertin 30/390
- D284,546 S * 7/1986 Kawakami et al. D8/66
- 4,785,540 A * 11/1988 Arvidsson D8/67
- 4,937,943 A * 7/1990 Nieminen 30/376
- D314,697 S * 2/1991 Pioch et al. D8/64

- 5,596,810 A * 1/1997 Neubert et al. 30/369
- D406,510 S * 3/1999 Nilsson et al. D8/66

* cited by examiner

Primary Examiner—Joel A. Sincavage

Assistant Examiner—Elizabeth Albert

(74) *Attorney, Agent, or Firm*—Nixon & Vanderhye

(57) **CLAIM**

The ornamental design for a “cutting machine,” as shown and described.

DESCRIPTION

FIG. 1 is a front perspective view of the cutting machine according to our design;

FIG. 2 is a side view thereof on a reduced scale as viewed from the right side of the cutting machine;

FIG. 3 is a side view thereof on a reduced scale as viewed from the left side of the cutting machine;

FIG. 4 is a rear perspective view of the cutting machine;

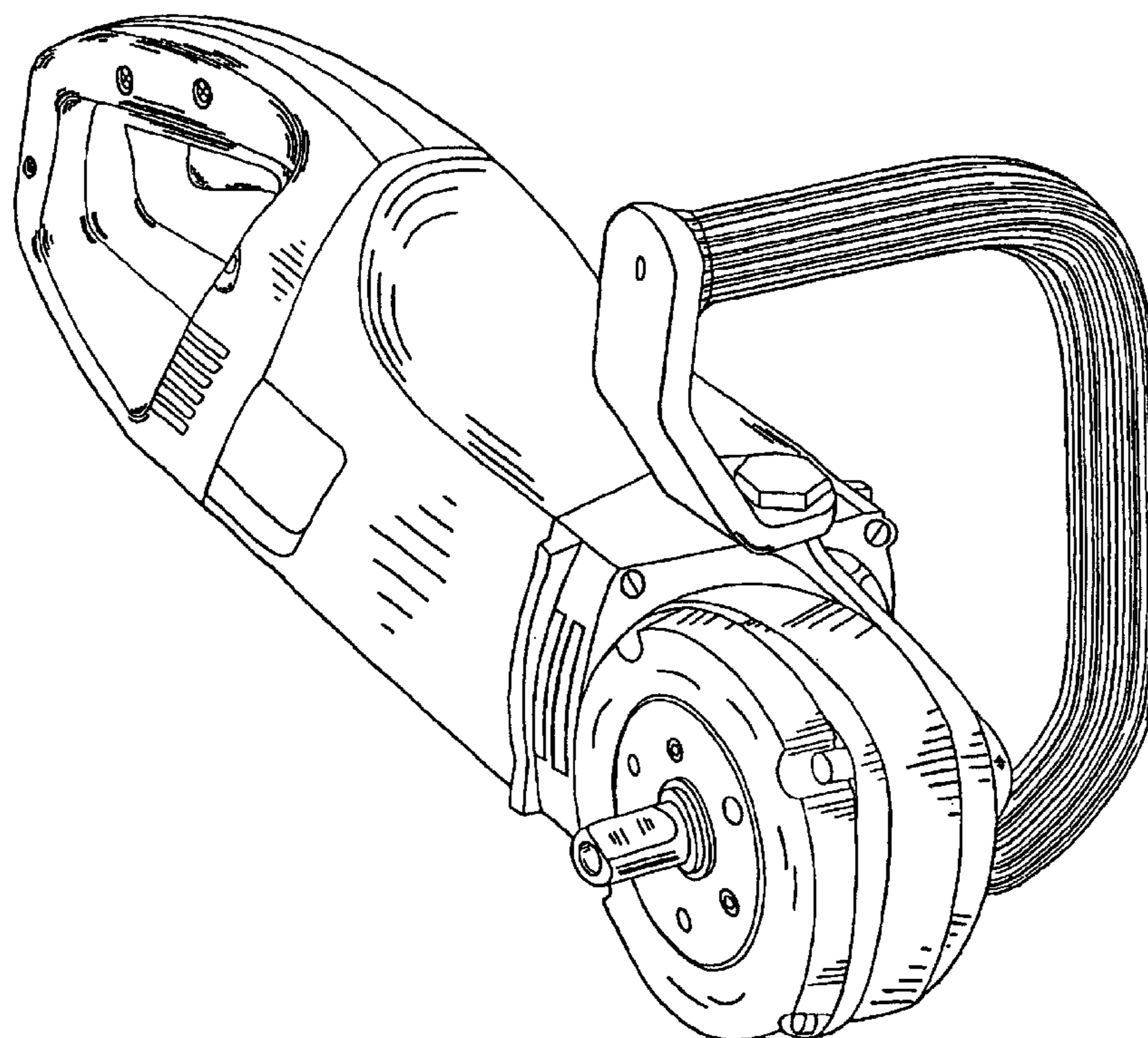
FIG. 5 is a top view on a reduced scale of the cutting machine;

FIG. 6 is a bottom view on a reduced scale of the cutting machine;

FIG. 7 is a perspective view as viewed from the rear of the cutting machine; and,

FIG. 8 is a perspective view as viewed from the front of the cutting machine.

1 Claim, 8 Drawing Sheets



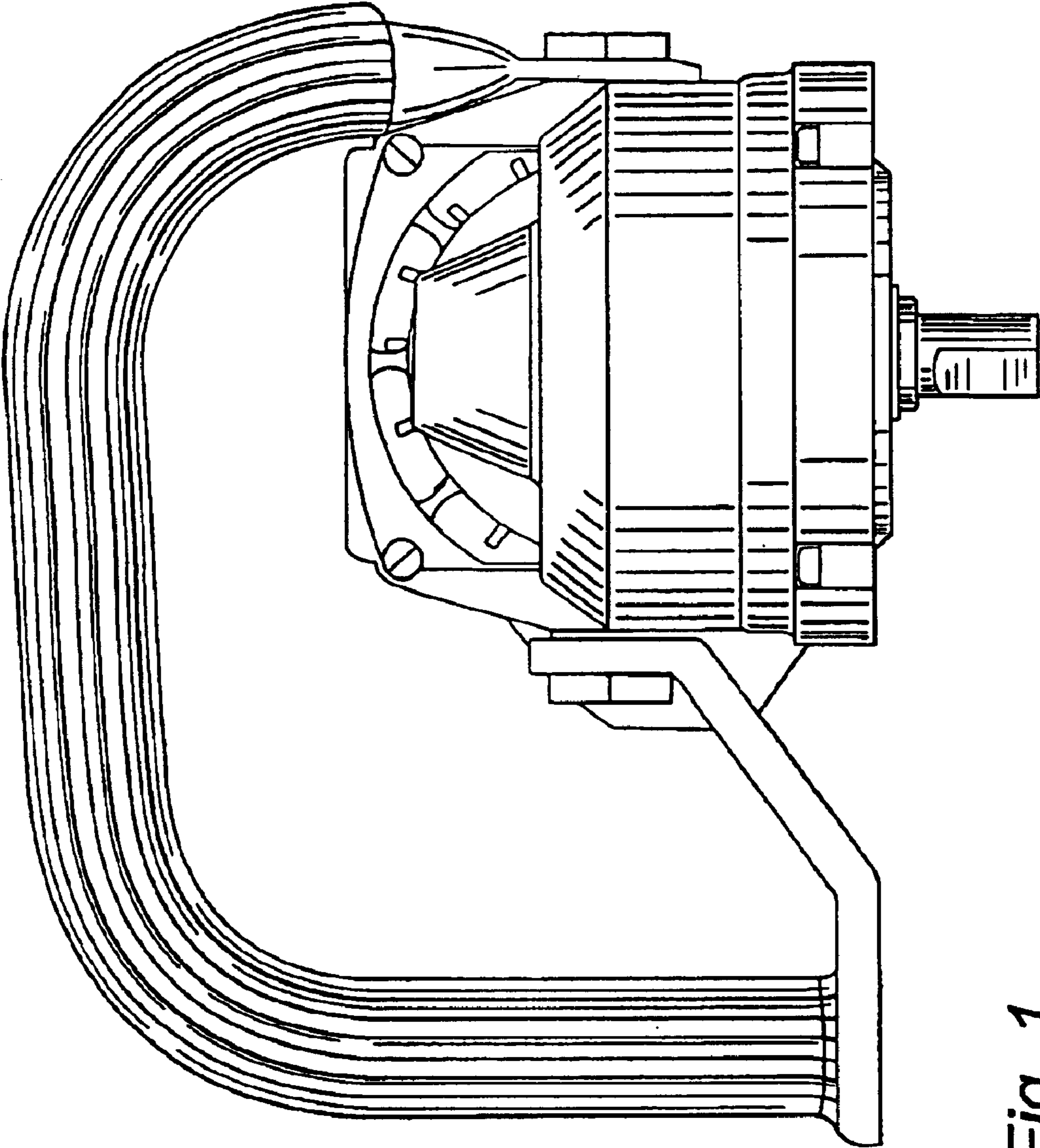


Fig. 1

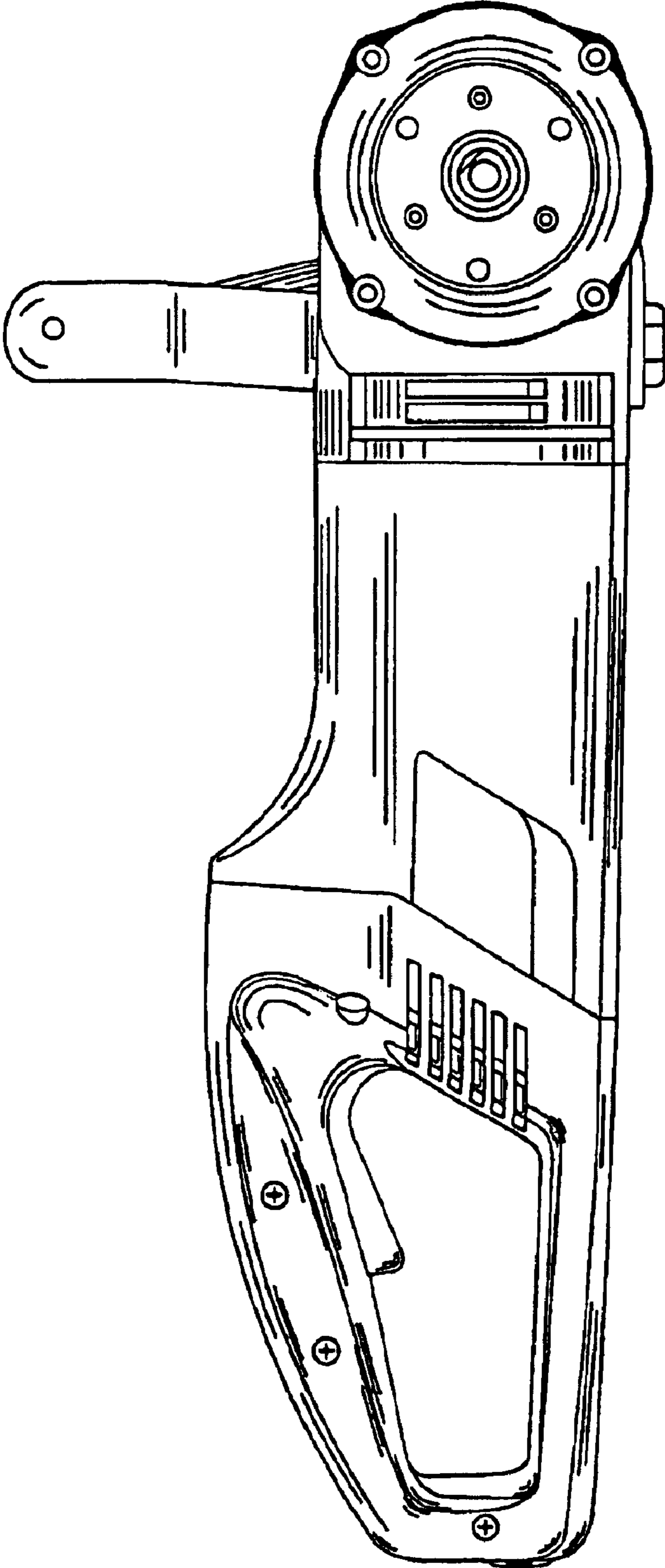


Fig. 2

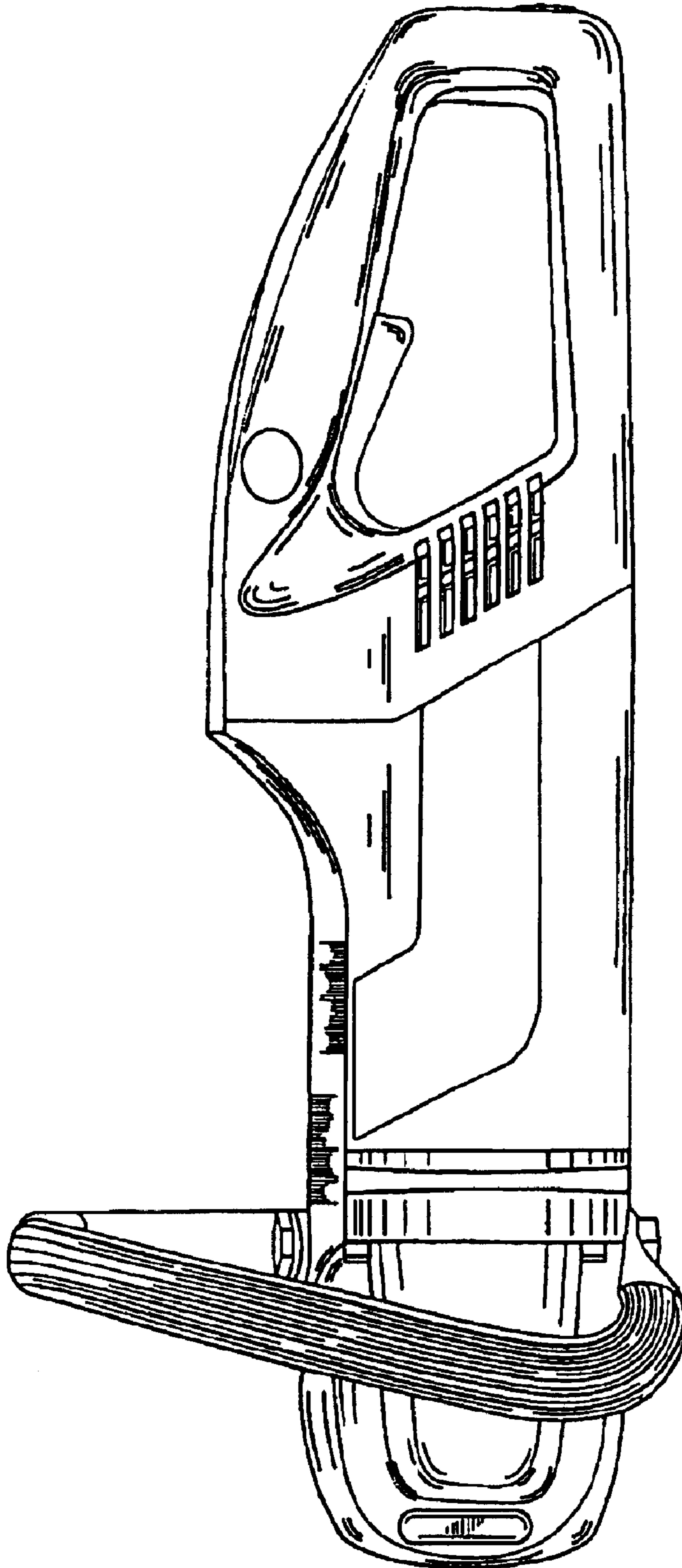


Fig. 3

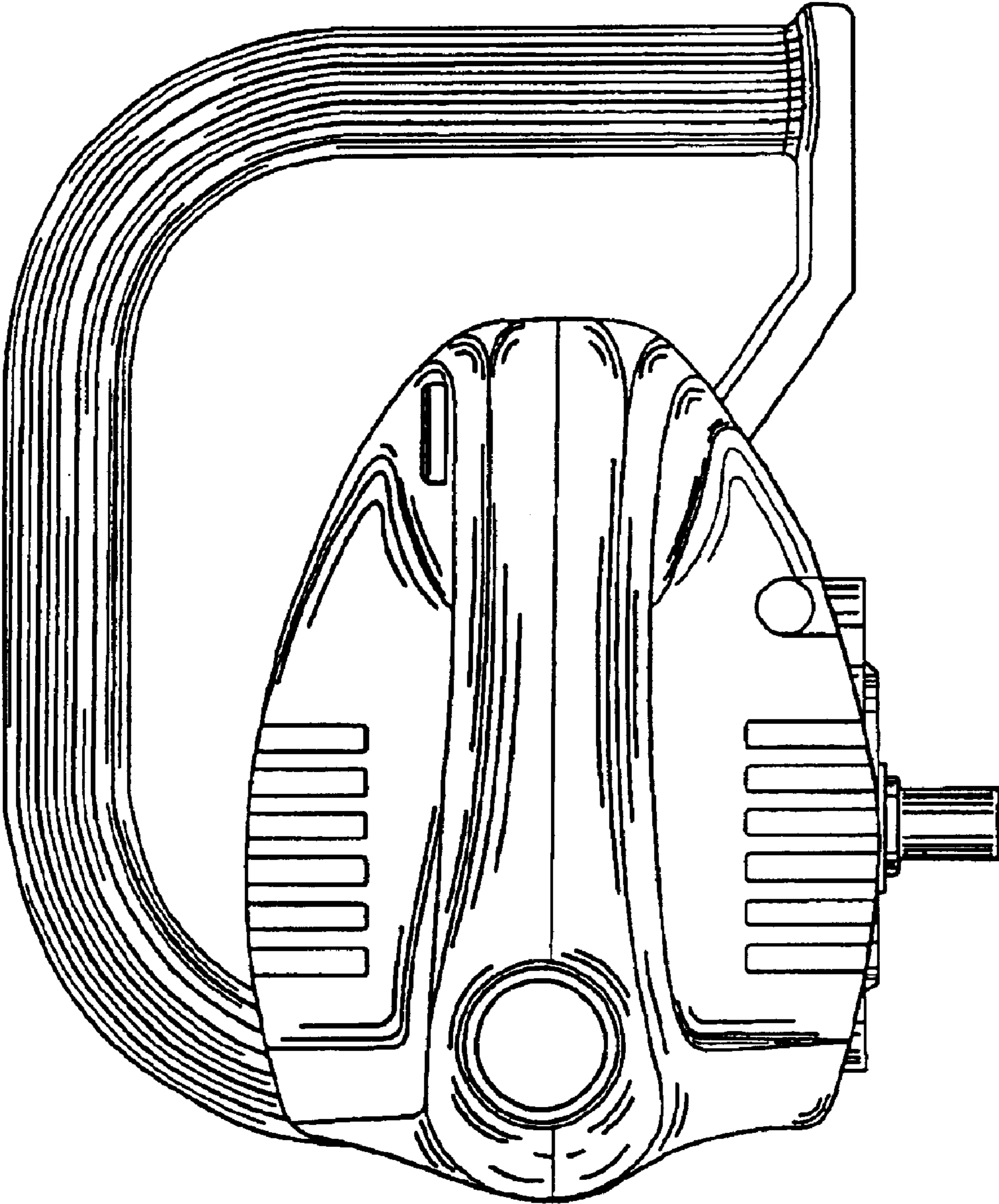


Fig. 4

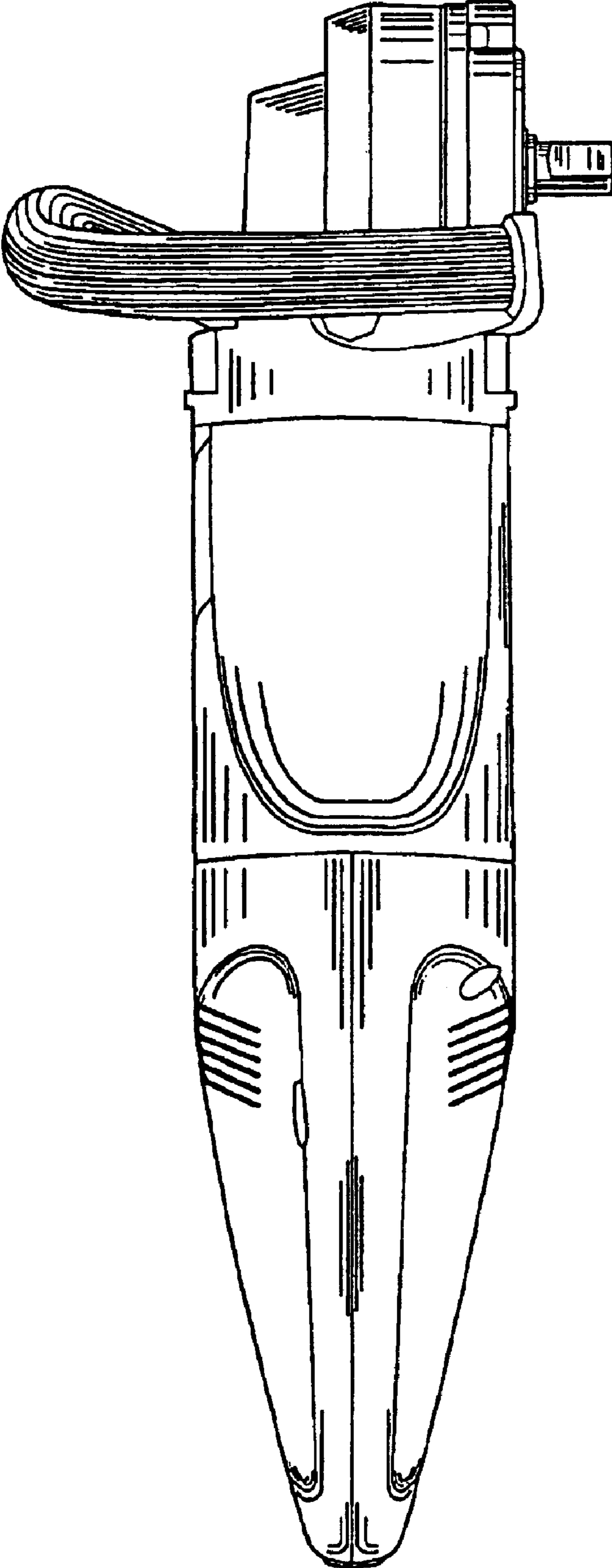


Fig. 5

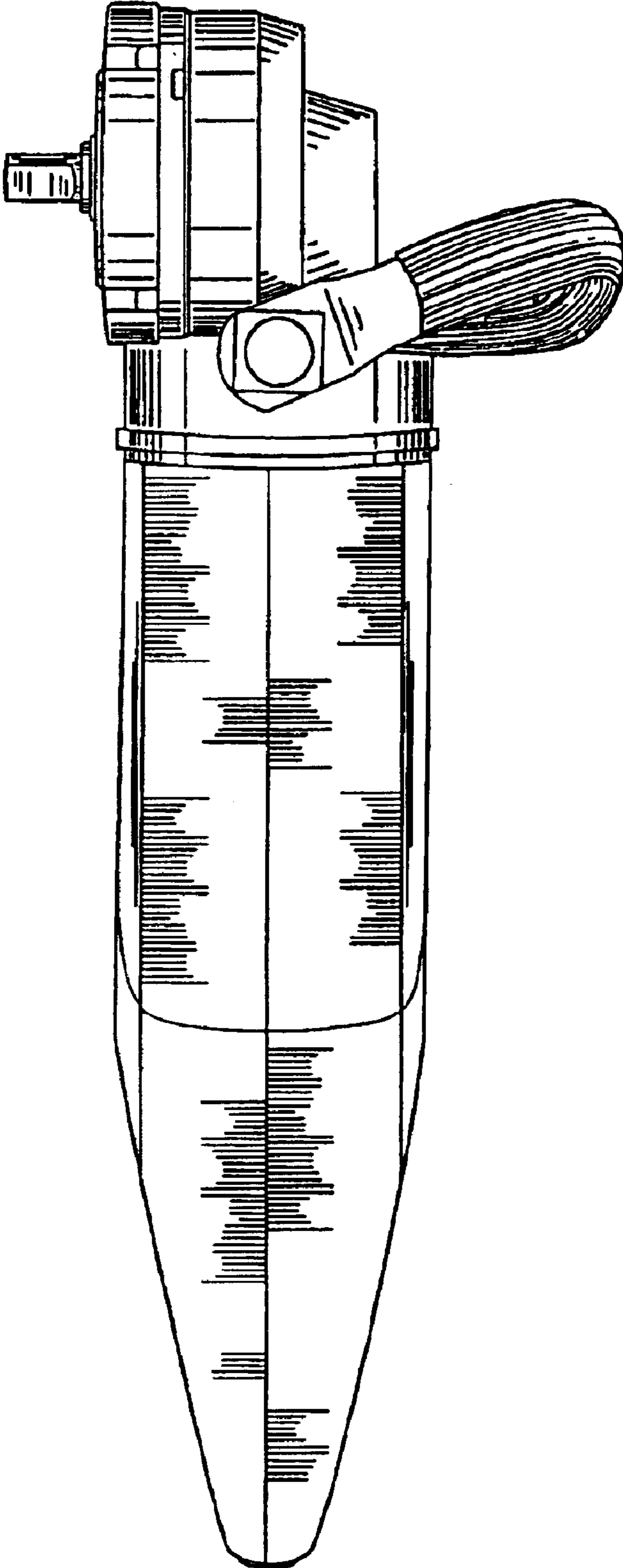


Fig. 6

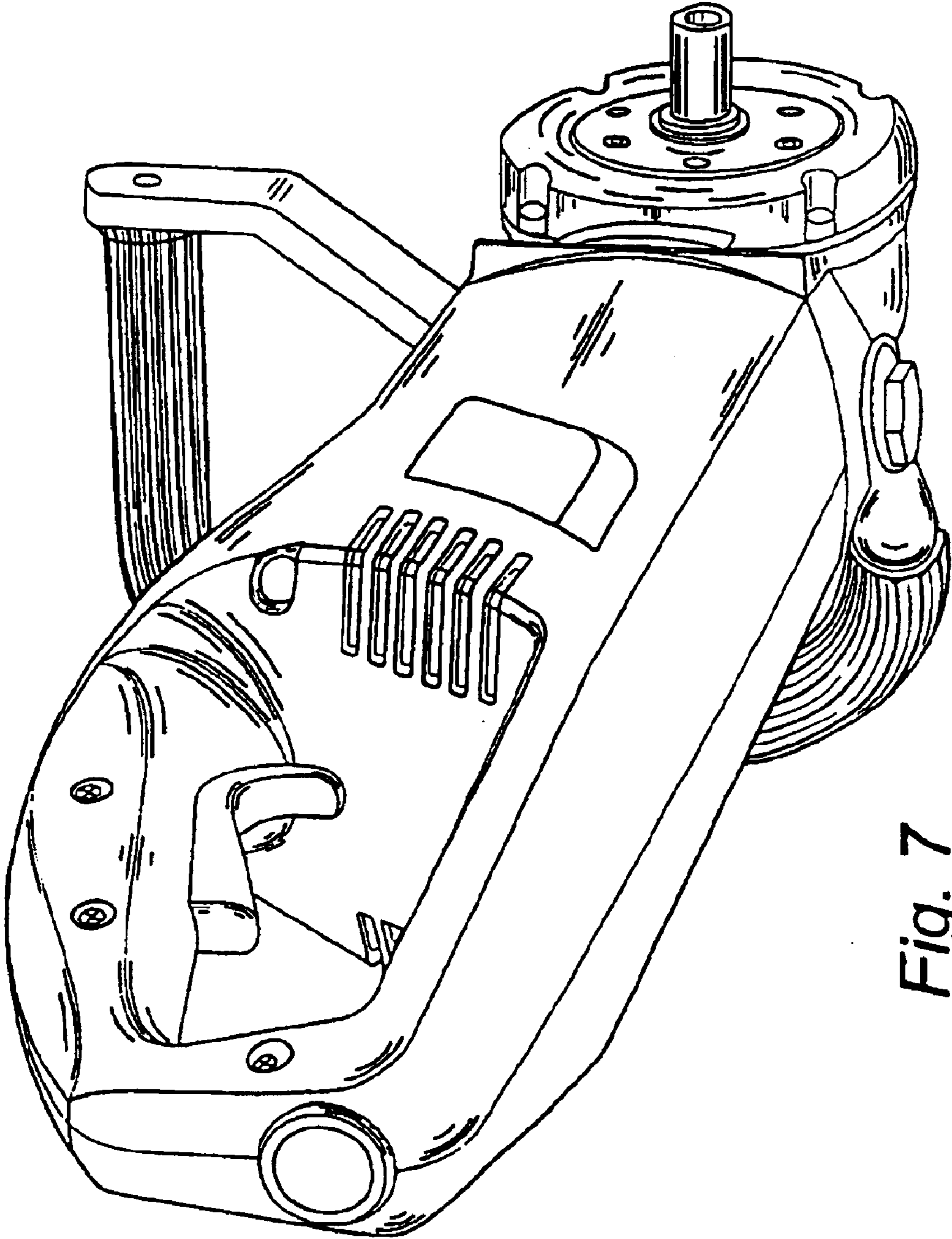


Fig. 7

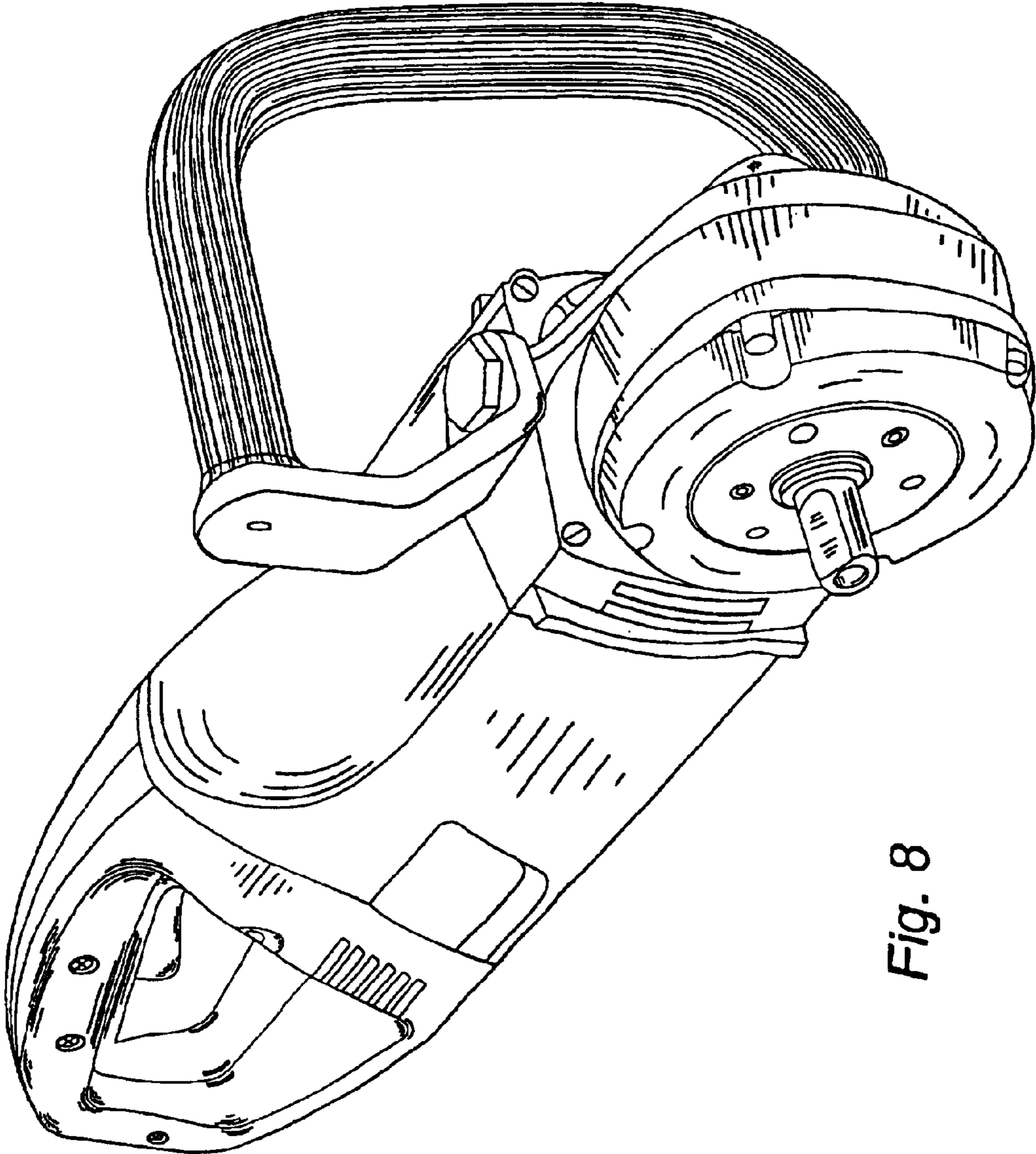


Fig. 8