

US00D499935S

(12) **United States Design Patent**  
**Smith et al.**

(10) **Patent No.:** **US D499,935 S**  
(45) **Date of Patent:** **\*\* Dec. 21, 2004**

- (54) **ERGONOMIC DISPOSABLE CUP**
- (75) Inventors: **Stephen Alan Smith**, Naperville, IL (US); **Kevin Ray Smith**, Round Lake Beach, IL (US); **Warren Giles Wiedmeyer**, Trevor, WI (US); **Kimberly Vaile Healy**, Chicago, IL (US); **Randy Golden**, Ada, OK (US); **Rudy DesChamps**, Mahomet, IL (US); **Irshad Khan**, Round Lake Beach, IL (US); **Bryce C. Rutter**, St. Louis, MO (US); **Brian C. Bone**, St. Louis, MO (US); **John H. Loudenslager**, Phoenix, AZ (US); **Jan Rolf Stillerman**, Phoenix, AZ (US)

2,629,534 A	2/1953	Reynolds	
2,745,586 A	* 5/1956	Thoma	..... 229/401
2,905,350 A	9/1959	Edwards	
3,009,603 A	11/1961	Stockdale	
3,091,360 A	5/1963	Edwards	
D197,313 S	1/1964	Wanderer	
3,126,139 A	3/1964	Schechter	

(List continued on next page.)

- (73) Assignee: **Solo Cup Company**, Highland Park, IL (US)

(\*\*) Term: **14 Years**

(21) Appl. No.: **29/194,963**

(22) Filed: **Dec. 3, 2003**

**Related U.S. Application Data**

- (63) Continuation-in-part of application No. 10/676,807, filed on Oct. 1, 2003.

- (51) **LOC (7) Cl.** ..... **07-01**
- (52) **U.S. Cl.** ..... **D7/396.2; D7/396.1**
- (58) **Field of Search** ..... D7/532, 531, 523, D7/507, 509, 392.1, 396, 396.2, 629, 615; D9/429, 556; 222/129, 465.1; 426/394, 86; 428/36.4; 206/520, 519, 217, 514; 366/341; 215/373, 384; 220/705, 676, 738, 671, 675, 669, 694, 735; 229/403, 400, 402, 401; 53/426

(56) **References Cited**

**U.S. PATENT DOCUMENTS**

703,125 A	6/1902	Emrich
1,636,174 A	7/1927	Dolan et al.
2,013,243 A	9/1935	Landon

*Primary Examiner*—M. N. Pandozzi  
(74) *Attorney, Agent, or Firm*—Wallenstein Wagner & Rockey, Ltd.

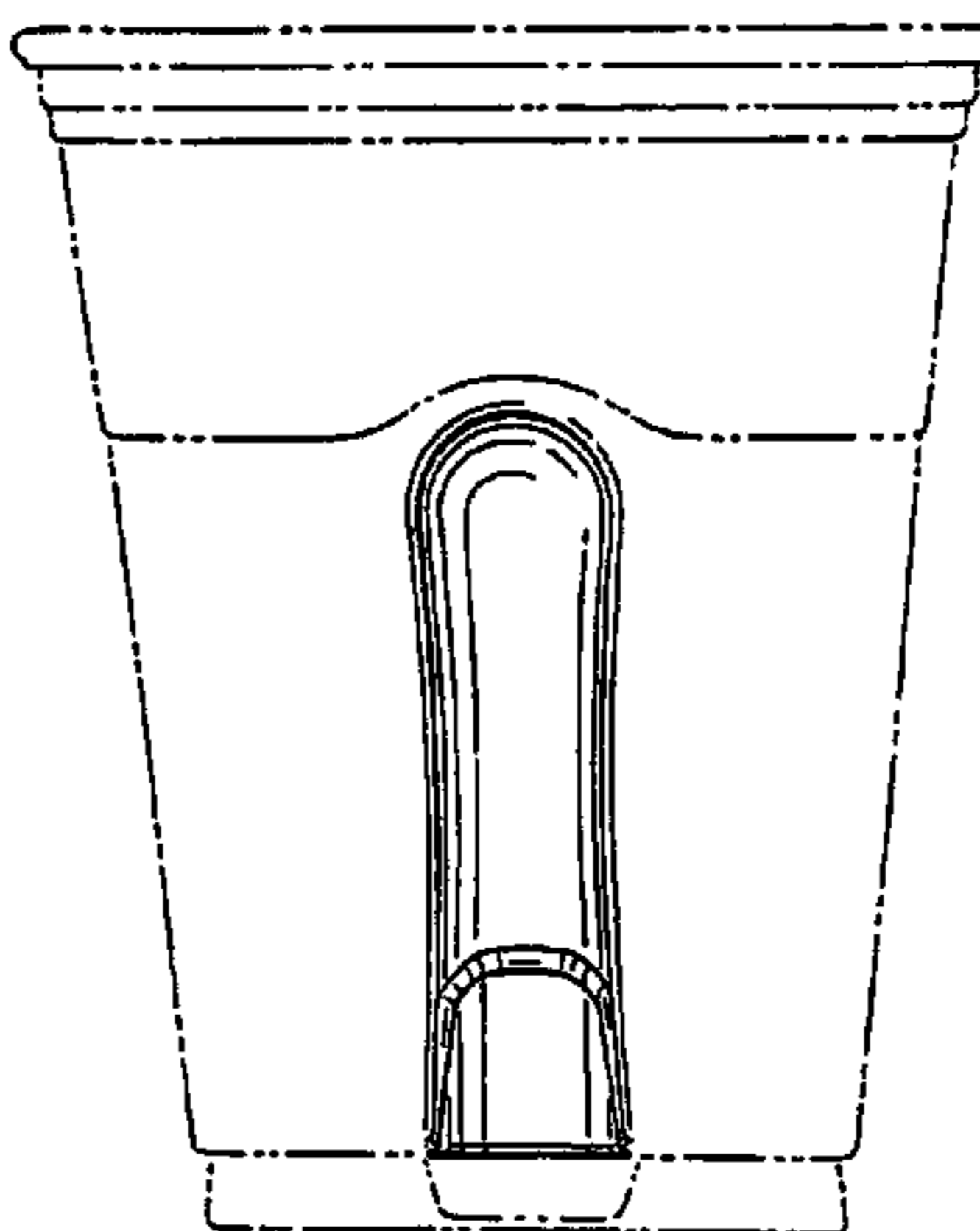
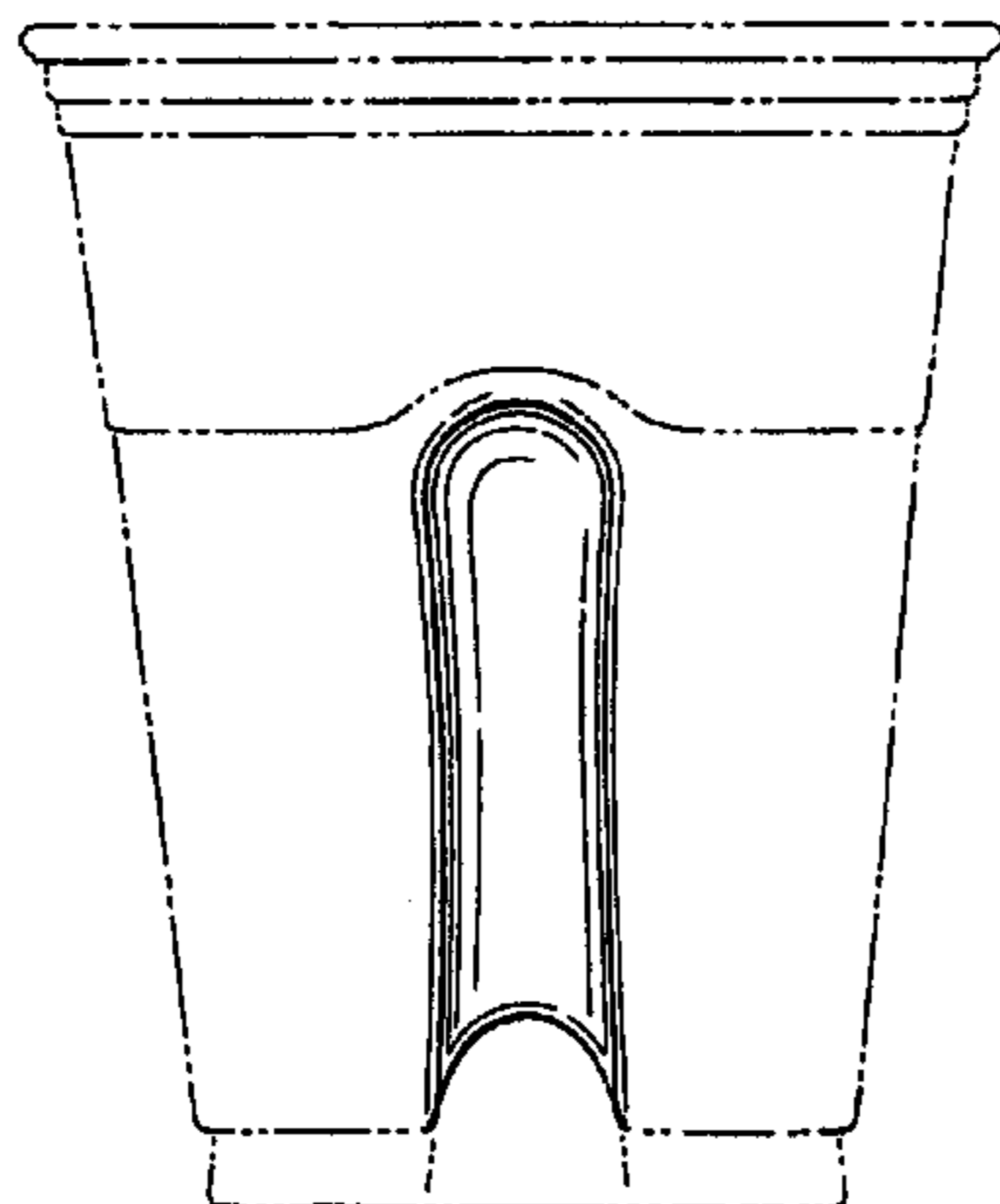
(57) **CLAIM**

We claim the ornamental Design for an ergonomic disposable cup, as shown and described. Broken lines in the Figures form no part of the claimed design.

**DESCRIPTION**

FIG. 1 is a perspective view of a first embodiment of an ergonomic disposable cup;  
 FIG. 2 is a front elevation view of the cup of FIG. 1, with an opposite view being identical thereto;  
 FIG. 3 is a side elevation view of the cup of FIG. 1, with an opposite view being identical thereto;  
 FIG. 4 is a bottom plan view of the cup of FIG. 1;  
 FIG. 5 is a perspective view of a second embodiment of the cup of the present invention;  
 FIG. 6 is a front elevation view of the cup of FIG. 5, with an opposite view being identical thereto;  
 FIG. 7 is a side elevation view of the cup of FIG. 5, with an opposite view being identical thereto;  
 FIG. 8 is a bottom plan view of the cup of FIG. 5;  
 FIG. 9 is a perspective view of a third embodiment of the cup of the present invention;  
 FIG. 10 is a front elevation view of the cup of FIG. 9, with an opposite view being identical thereto;  
 FIG. 11 is a side elevation view of the cup of FIG. 9, with an opposite view being identical thereto; and,  
 FIG. 12 is a bottom plan view of the cup of FIG. 9.  
 The broken lines in the drawings are for illustrative purposes only and form no part of the claimed design.

**1 Claim, 6 Drawing Sheets**



# US D499,935 S

Page 2

## U.S. PATENT DOCUMENTS

D198,139 S	5/1964	Edwards		D285,032 S	8/1986	Alonzo	
3,131,845 A	5/1964	Sherlock et al.		5,082,135 A *	1/1992	DeCoster	220/694
3,139,213 A	6/1964	Edwards		D328,014 S *	7/1992	DeCoster et al.	D7/629
D199,336 S	10/1964	Wanderer		D346,308 S	4/1994	Cautereels et al.	
D199,579 S	11/1964	Davis		5,423,160 A	6/1995	Rosén	
D208,872 S	10/1967	Davis		D368,234 S	3/1996	Dickinson et al.	
D210,767 S	4/1968	Anglada		5,634,569 A *	6/1997	DeCoster	220/735
3,375,954 A *	4/1968	Honkanen et al.	206/520	5,678,726 A *	10/1997	Porteous	220/676
D211,514 S	6/1968	Amberg		D387,619 S	12/1997	Gross et al.	
3,397,867 A	8/1968	van't Hoff		D399,099 S *	10/1998	Cousins	D7/615
D213,094 S *	1/1969	Davis	D7/531	D410,174 S	5/1999	Sheu	
D213,173 S	1/1969	Lockhart et al.		D413,067 S	8/1999	Haley	
D213,174 S *	1/1969	Davis	D7/531	D416,757 S	11/1999	Ginuntoli	
3,437,253 A *	4/1969	Davis	229/400	6,109,518 A *	8/2000	Mueller et al.	229/403
D223,999 S	6/1972	Klose		D436,295 S	1/2001	Furman et al.	
3,951,266 A	4/1976	Brewer		D441,252 S	5/2001	Gitschlag	
4,049,187 A	9/1977	Florian		D443,475 S *	6/2001	Miura	D7/507
4,052,037 A	10/1977	Mair et al.		D444,672 S *	7/2001	Miura	D7/507
4,061,782 A	12/1977	Baxter		6,264,068 B1	7/2001	Ours et al.	
4,102,454 A *	7/1978	Karevaara	206/514	D446,684 S *	8/2001	Price	D7/509
4,134,492 A	1/1979	Lucas		D446,687 S *	8/2001	Furman et al.	D7/523
4,420,081 A	12/1983	Dart		D448,976 S	10/2001	McDonough et al.	
D272,794 S	2/1984	Dart		6,554,154 B1	4/2003	Chauhan et al.	
4,548,348 A	10/1985	Clements		2003/0157224 A1	8/2003	Westerhof et al.	
4,578,296 A *	3/1986	Miyazaki et al.	428/36.4	2004/0045974 A1 *	3/2004	Gtruber et al.	220/669

\* cited by examiner

FIG. 1

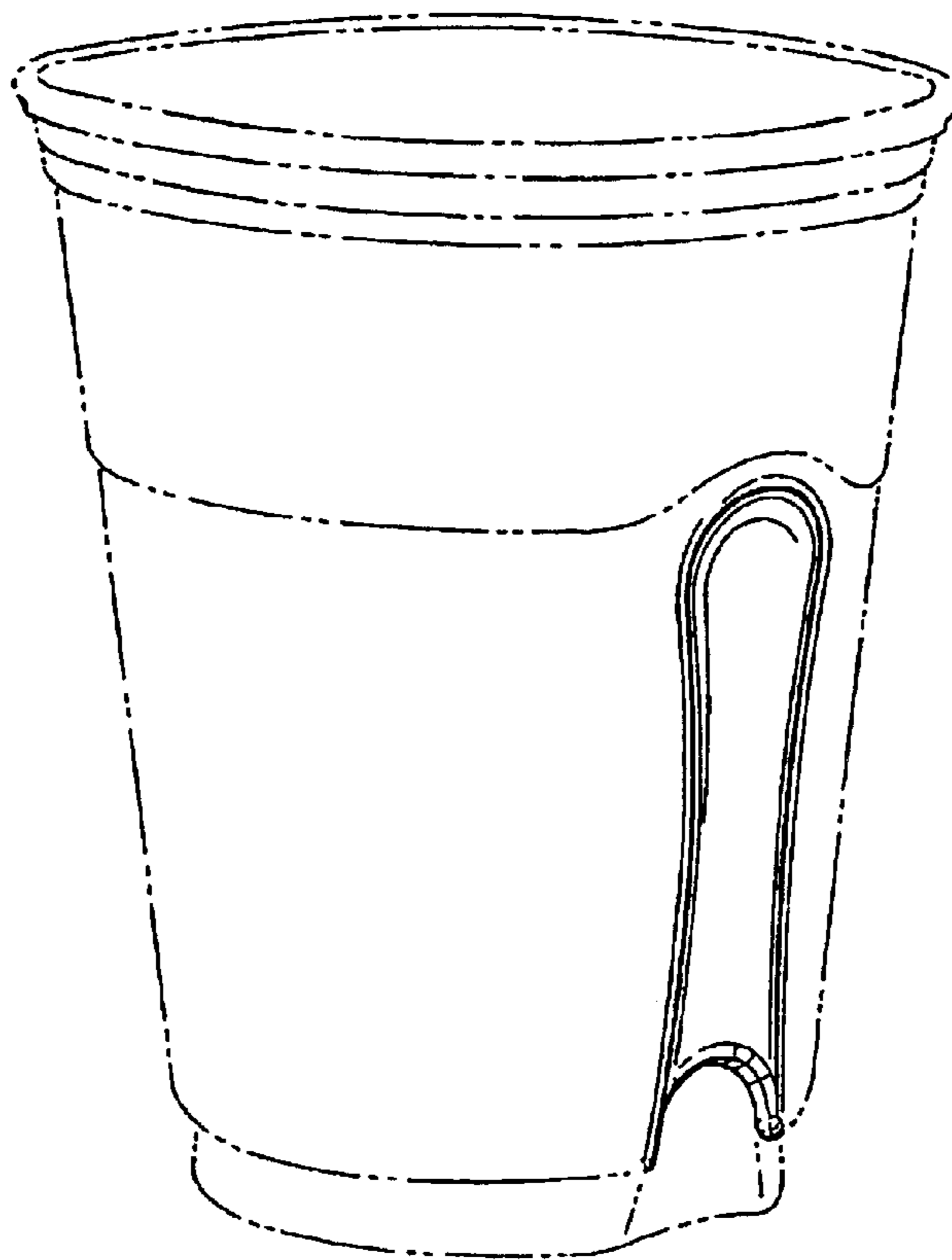


FIG. 2

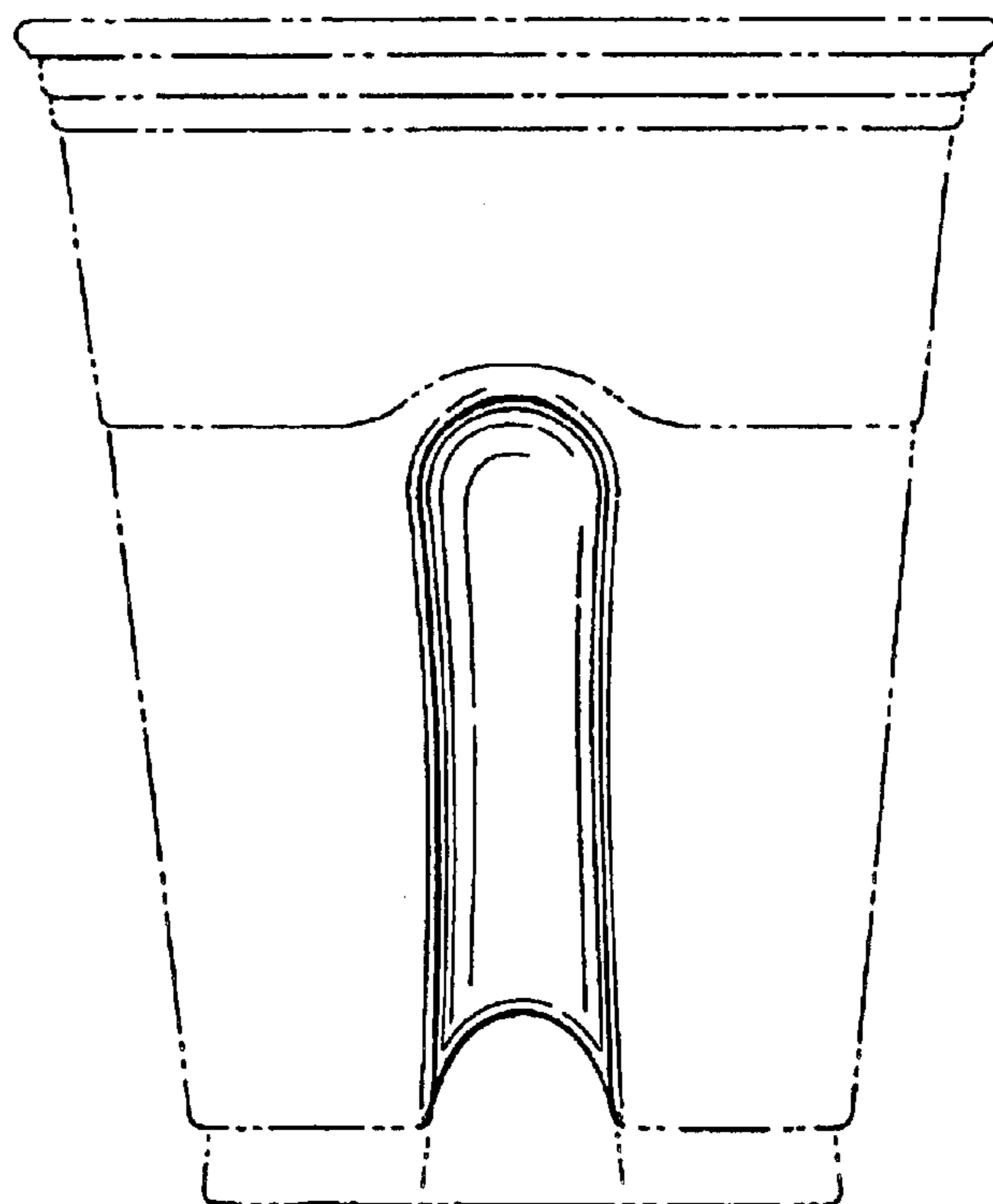


FIG. 3

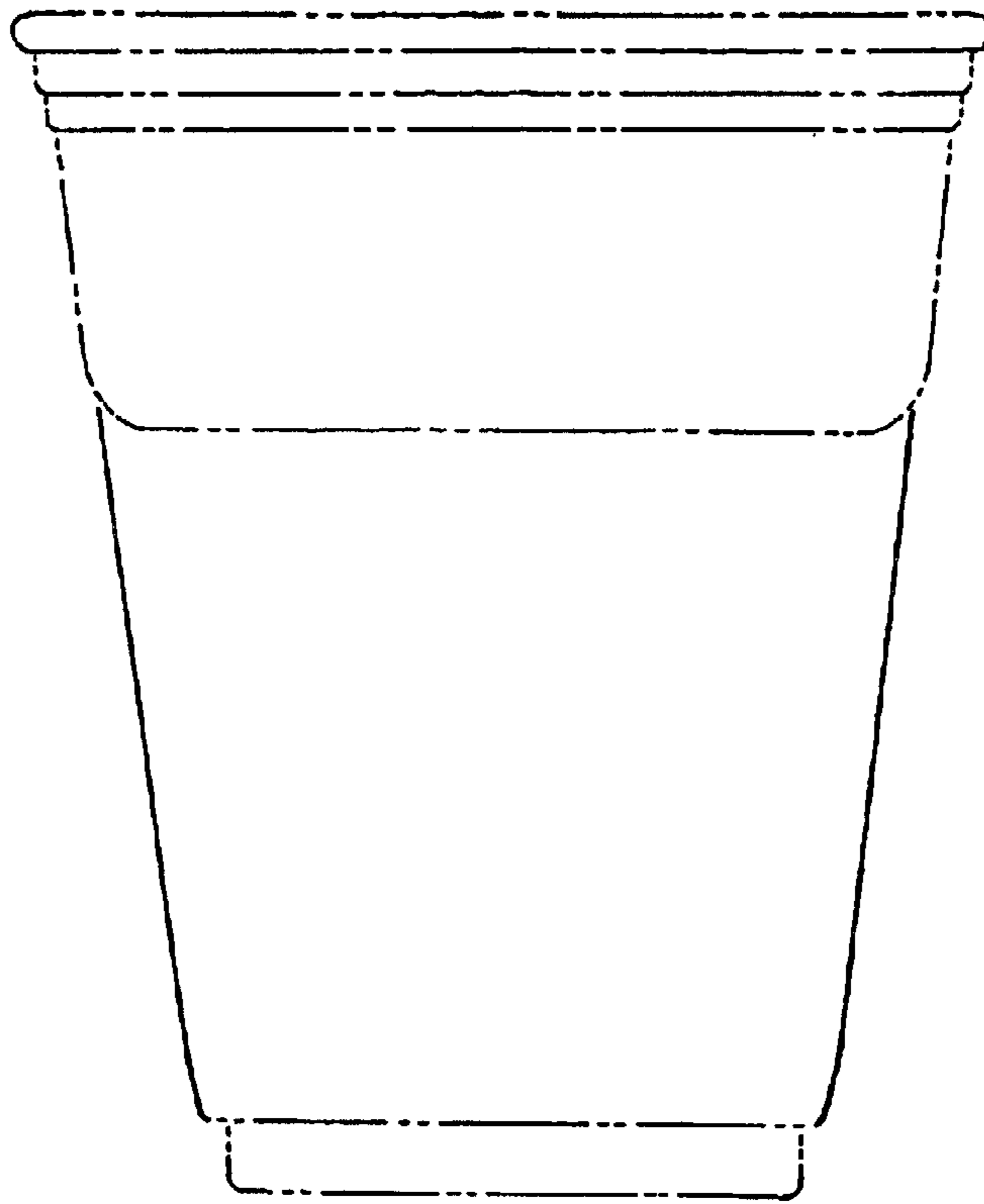


FIG. 4

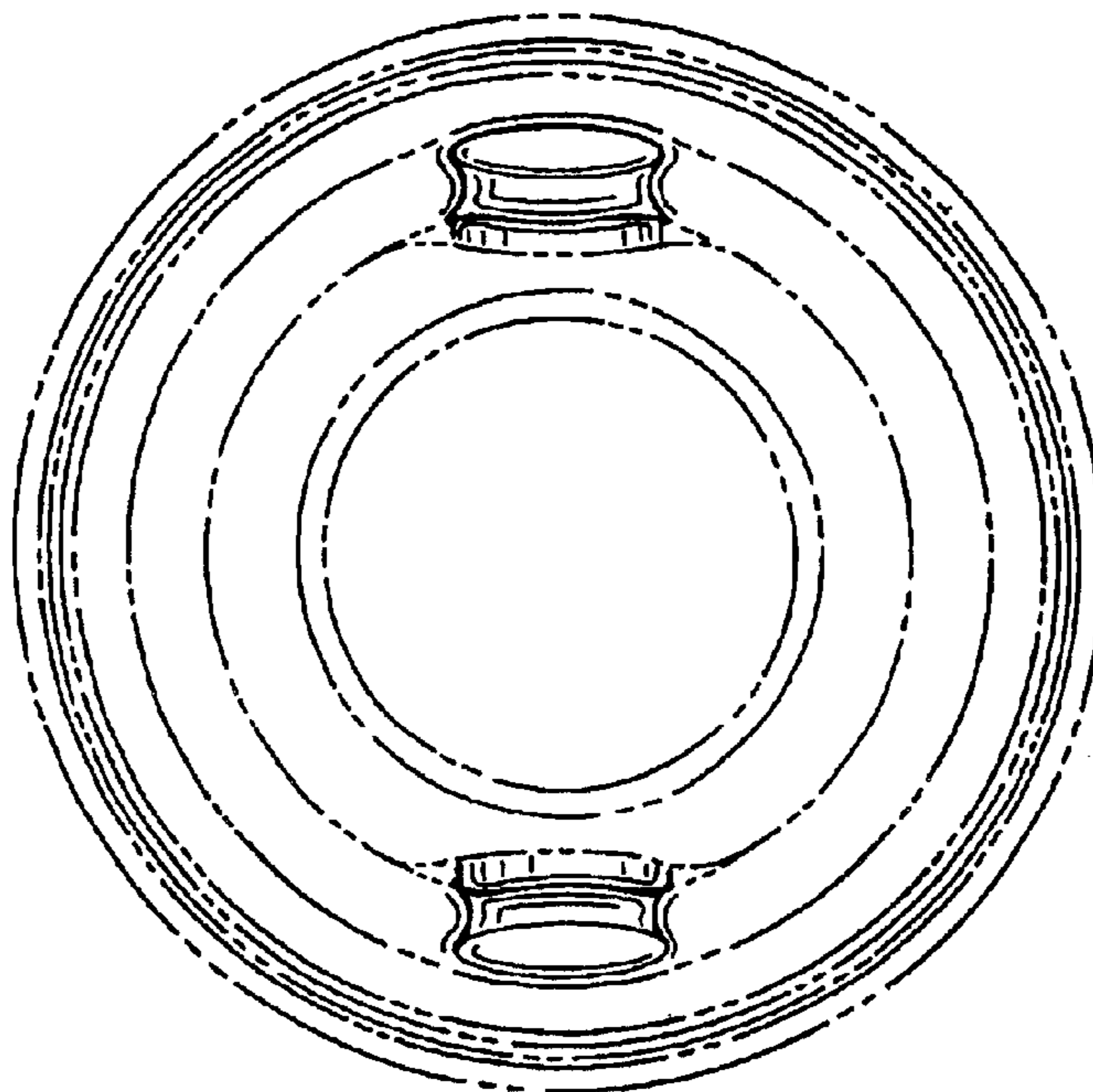


FIG. 5

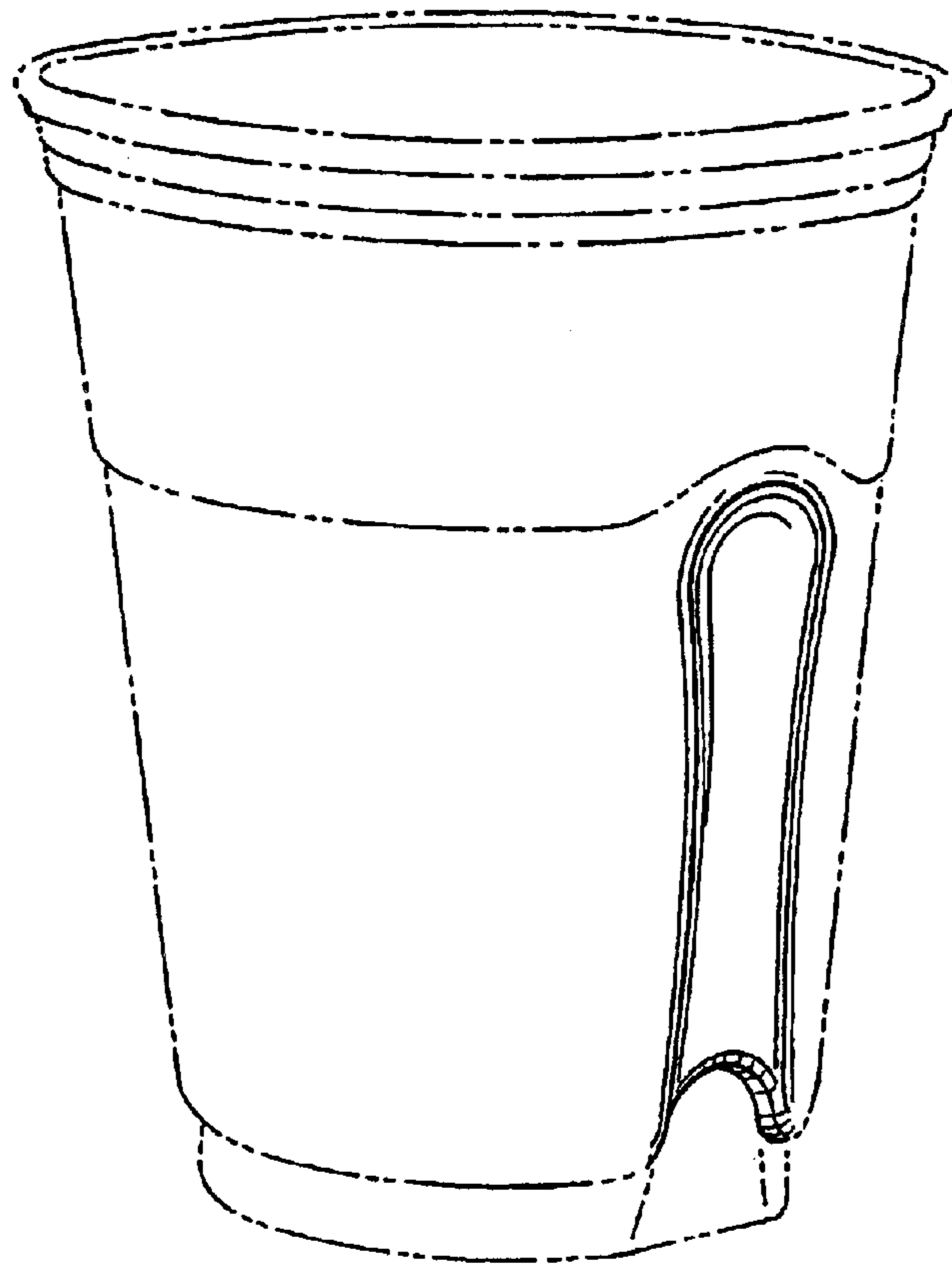


FIG. 6

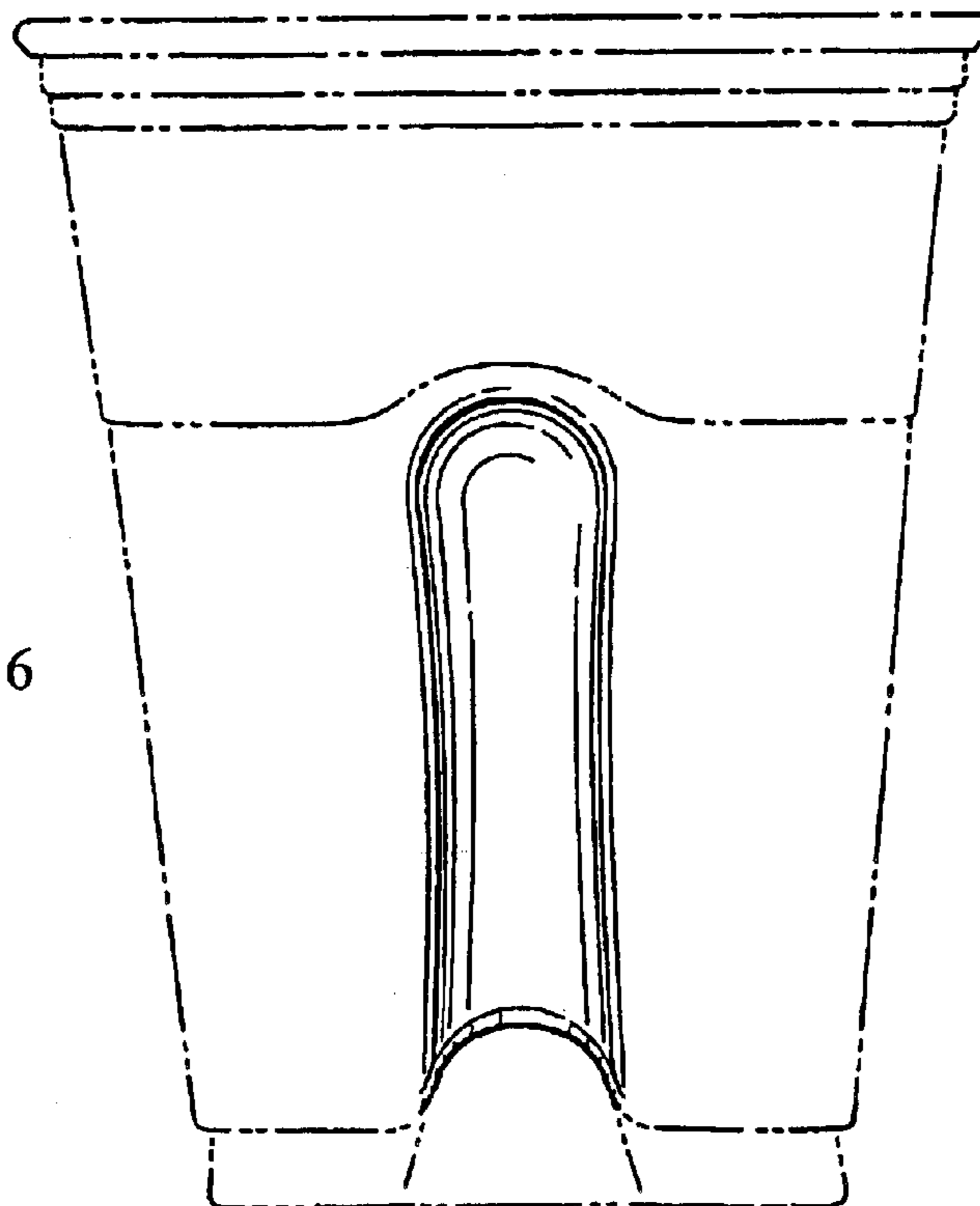


FIG. 7

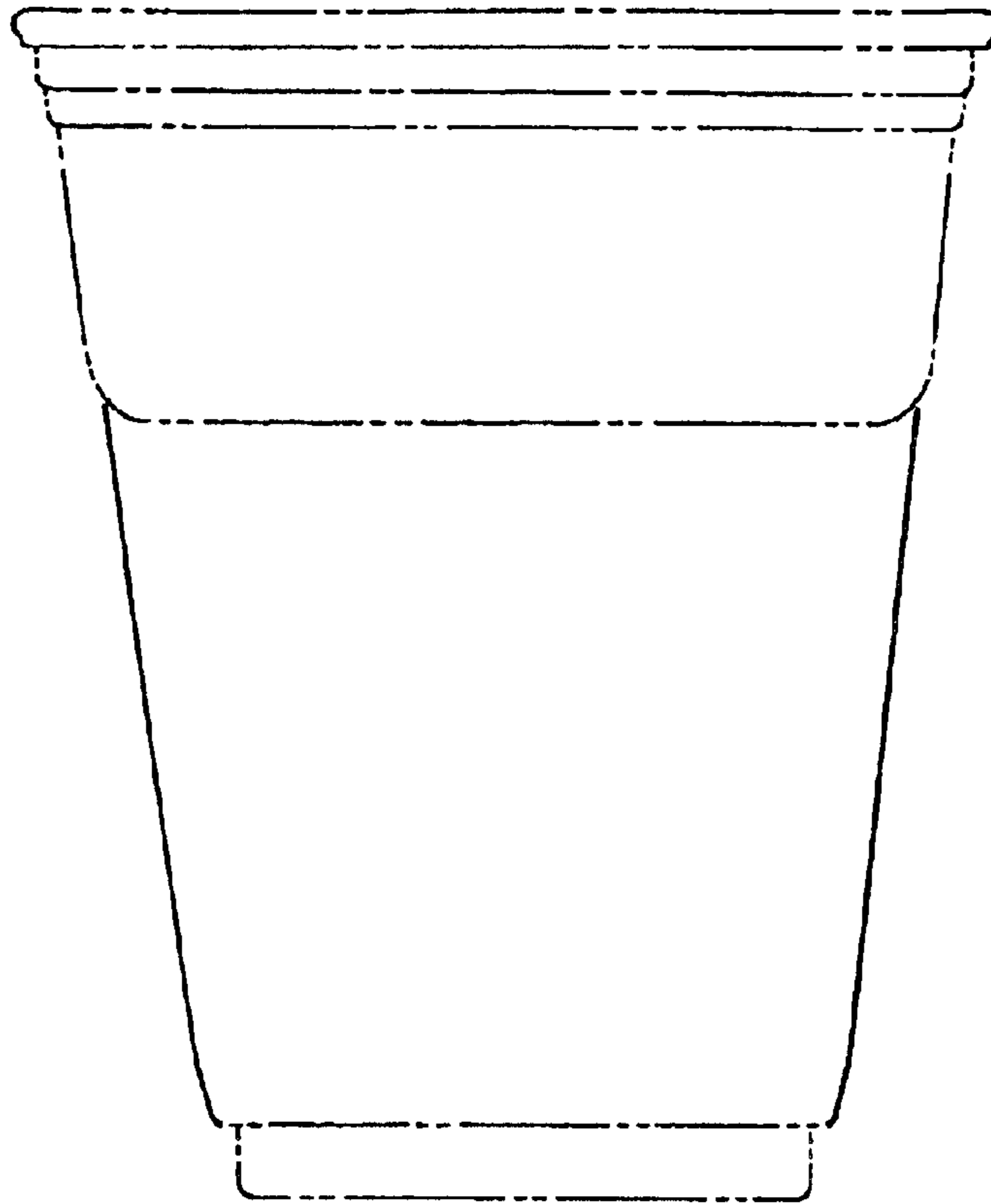


FIG. 8

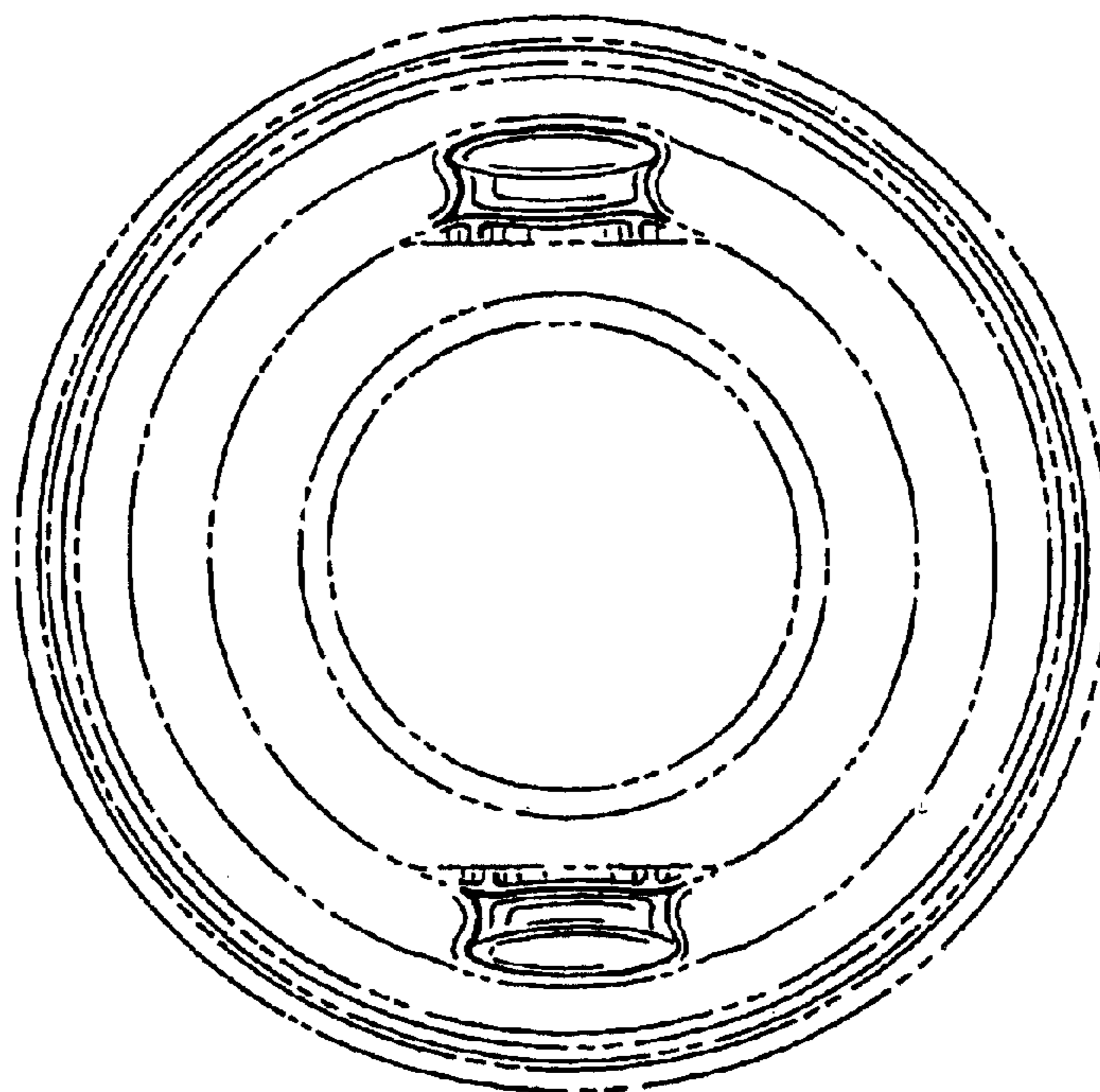


FIG. 9

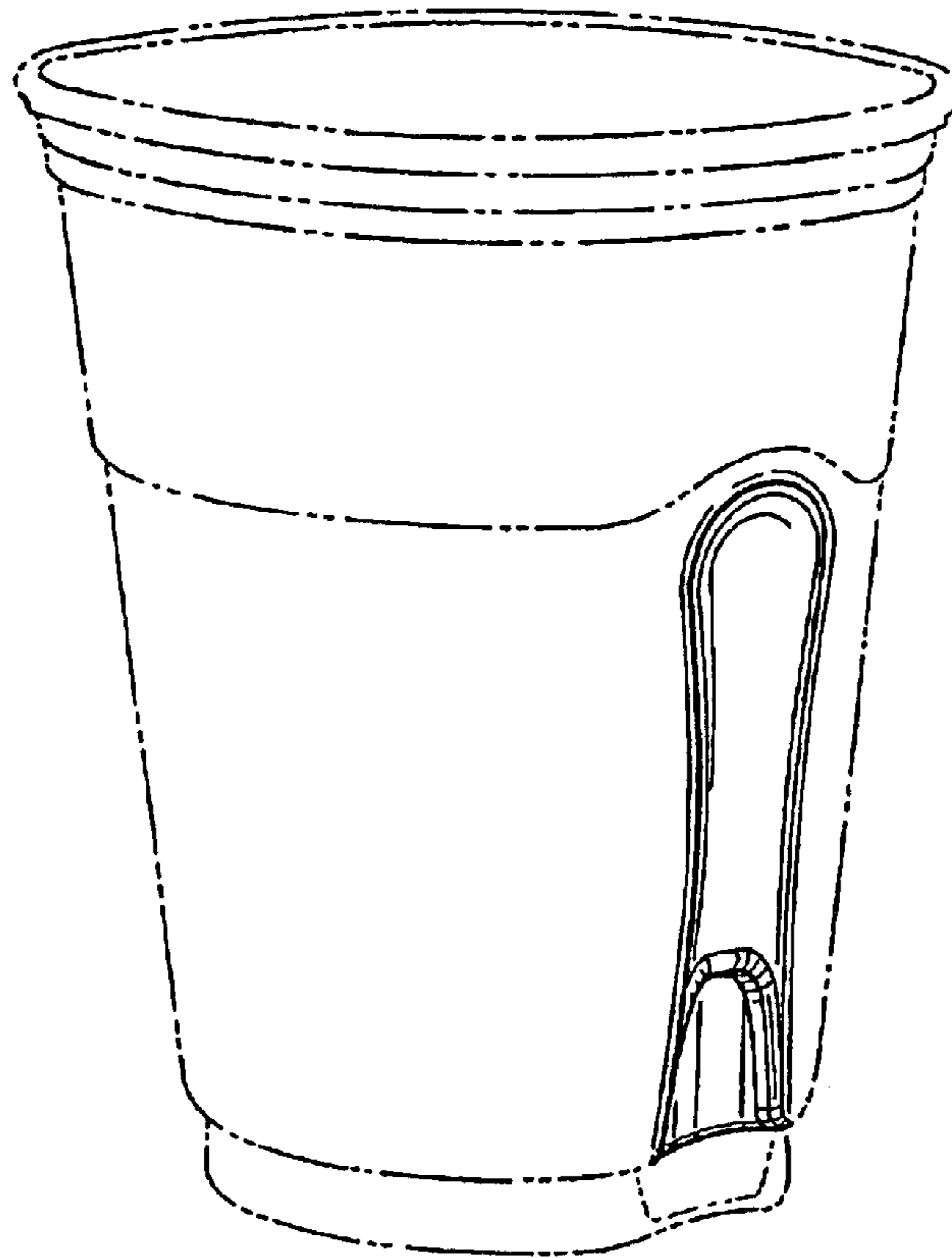


FIG. 10

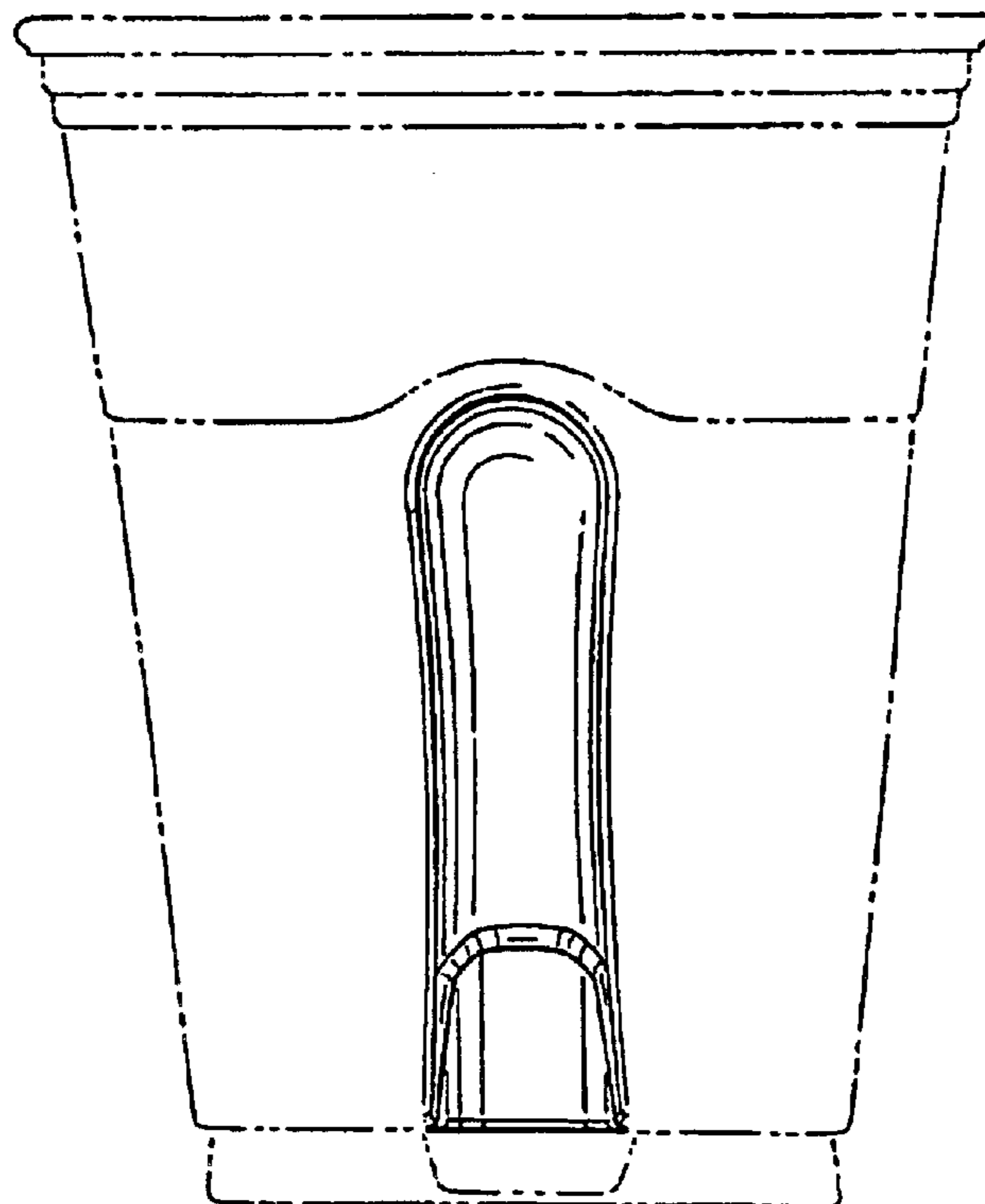


FIG. 11

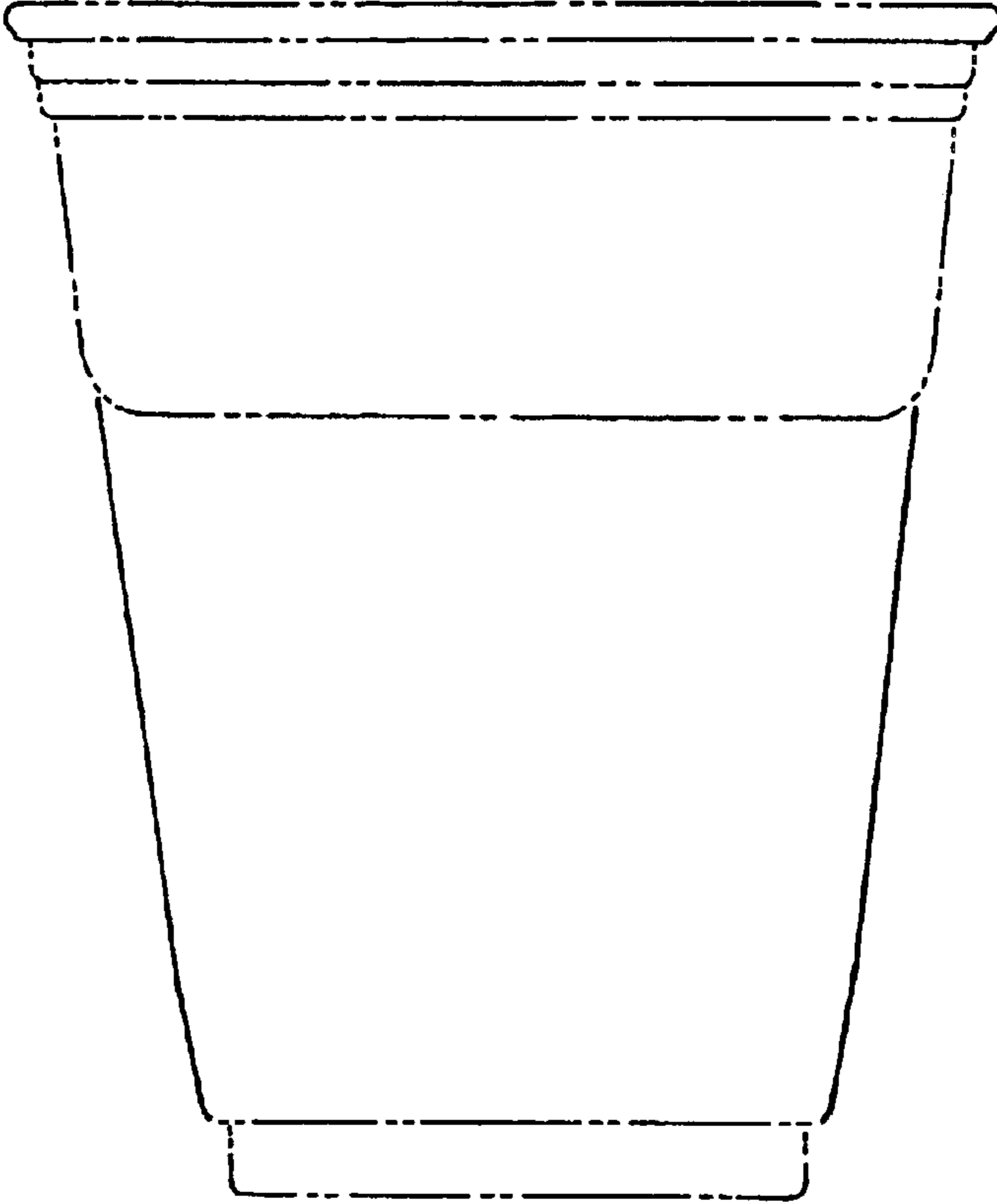


FIG. 12

