

US00D499933S

(12) **United States Design Patent** (10) **Patent No.:** **US D499,933 S**
Rutter et al. (45) **Date of Patent:** **** Dec. 21, 2004**

(54) **ERGONOMIC DISPOSABLE PLATE BOTTOM**

(75) Inventors: **Bryce G. Rutter**, St. Louis, MO (US); **John Howard Loudenslager**, Phoenix, AZ (US); **Brian C. Bone**, St. Louis, MO (US); **Jan R. Stillerman**, Phoenix, AZ (US); **Kimberly Vaile Healy**, Chicago, IL (US); **John Stewart Gitschlag**, Chicago, IL (US)

(73) Assignee: **Solo Cup Company**, Highland Park, IL (US)

(**) Term: **14 Years**

(21) Appl. No.: **29/182,708**

(22) Filed: **May 30, 2003**

Related U.S. Application Data

(63) Continuation-in-part of application No. 10/277,010, filed on Oct. 21, 2002.

(51) **LOC (7) Cl.** **07-02**

(52) **U.S. Cl.** **D7/396.1; D7/359**

(58) **Field of Search** D7/402, 354, 359, D7/360, 396.1, 393, 560, 545, 543, 548, 554.2, 552.1, 587, 586, 554.3; D9/434, 424, 425, 428; D11/156; 99/339; 220/671, 574, 573, 575, 23.83, 23.87; 206/217, 502, 557, 542, 519, 515; 229/4.5, 407

(56) **References Cited**

U.S. PATENT DOCUMENTS

- 1,440,070 A 12/1922 Fry
- D88,343 S 11/1932 Dowd
- D157,823 S * 3/1950 Wright D7/545
- D166,934 S 6/1952 Slobodkin
- 2,700,284 A 1/1955 Lyon, Jr.
- D184,875 S 4/1959 Johnson
- D185,067 S 5/1959 Clark, Jr.
- D209,605 S * 12/1967 Zoeller et al. D7/359

- D211,697 S * 7/1968 Collie D7/560
- D232,293 S * 8/1974 Christian et al. D7/586
- D244,245 S * 5/1977 Jensen D7/586
- D244,247 S 5/1977 Jensen
- D248,076 S 6/1978 Christian
- D250,402 S * 11/1978 Connell et al. D11/156

(List continued on next page.)

OTHER PUBLICATIONS

Die Modernen, *Schoner Wohnen*, Jul., 1989, p. 94.
Photos 1(a)–1(d) of plate; Hema B.V. Postbus 23220 1100 DS, Amsterdam, Netherlands; date unknown.
Photos 2(a)–2(e) of bowl; Hema B.V. Postbus 23220 1100 DS, Amsterdam, Netherlands; date unknown.

Primary Examiner—M. N. Pandozzi
(74) *Attorney, Agent, or Firm*—Wallenstein Wagner & Rockey, Ltd.

(57) **CLAIM**

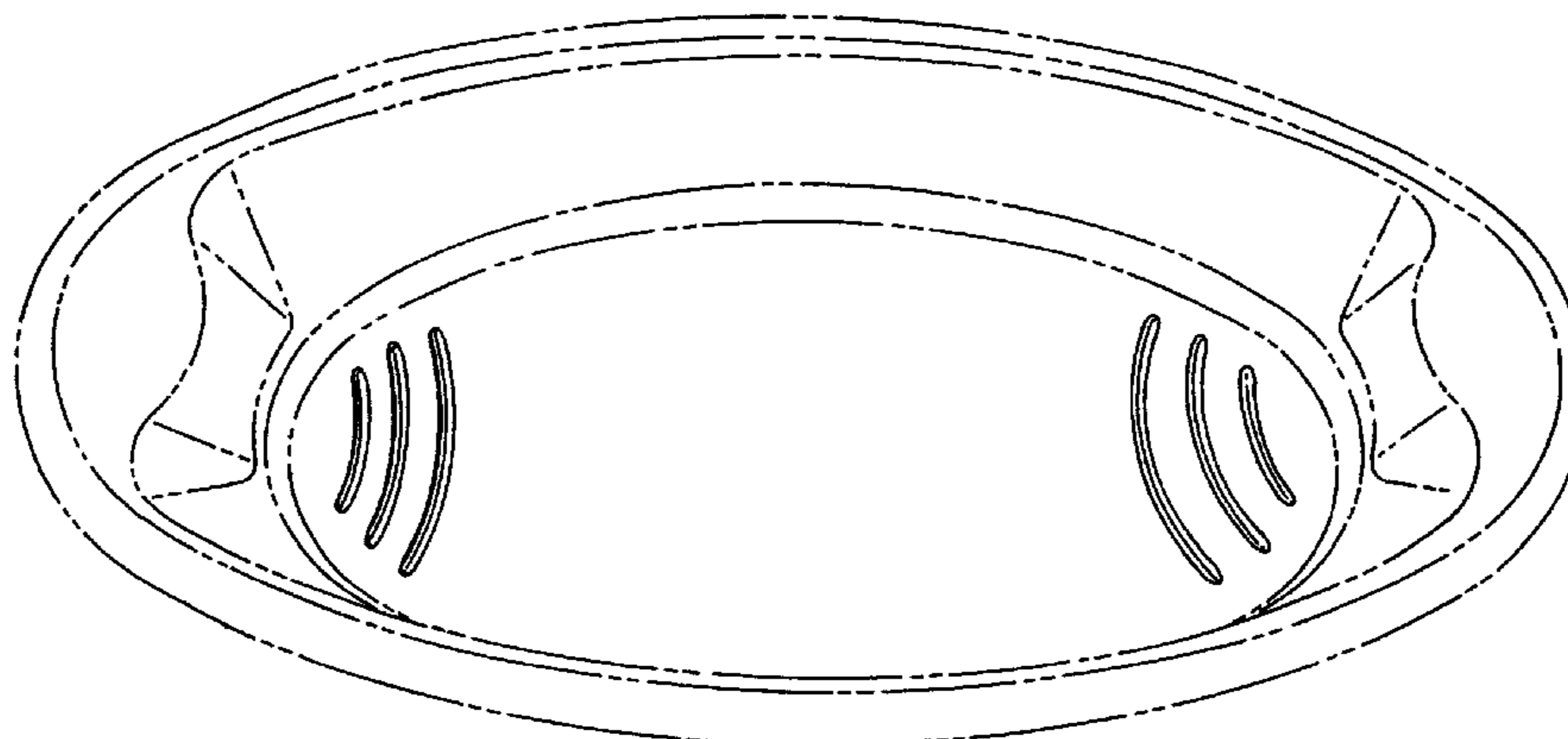
We claim the ornamental Design for an ergonomic disposable plate bottom, as shown and described.

DESCRIPTION

FIG. 1 is a perspective view of an ergonomic disposable plate bottom;
FIG. 2 is a front elevation view of the plate of FIG. 1, with an opposite view being identical thereto;
FIG. 3 is a side elevation view of the plate of FIG. 1, with an opposite view being identical thereto;
FIG. 4 is a top plan view of the plate of FIG. 1;
FIG. 5 is a bottom plan view of the plate of FIG. 1;
FIG. 6 is a cross-sectional front view of the plate of FIG. 1, with an opposite view being identical thereto;
FIG. 7 is a cross-sectional side view of the plate of FIG. 1, with an opposite view being identical thereto; and,
FIG. 8 is a perspective view of a second embodiment thereof.

The broken lines in the drawings are for illustrative purposes only and form no part of the claimed design.

1 Claim, 5 Drawing Sheets



US D499,933 S

Page 2

U.S. PATENT DOCUMENTS

D265,707 S	*	8/1982	Pickard	D7/545
D270,893 S	*	10/1983	Bowen et al.	D7/409
D272,505 S	*	2/1984	Daenen et al.	D7/554.3
D288,050 S		2/1987	Fox et al.		
4,704,955 A	*	11/1987	Archibald	99/339
D296,640 S		7/1988	Miller		
D303,196 S		9/1989	Unger		
D310,930 S		10/1990	Unger		
4,966,295 A		10/1990	Parrish		
D312,750 S		12/1990	Unger		
D313,922 S		1/1991	Scherer		
D314,884 S		2/1991	Unger		
D321,809 S	*	11/1991	Zobrist	D7/359
D322,539 S	*	12/1991	Unger	D7/545
D322,737 S	*	12/1991	Unger	D7/545
D335,795 S	*	5/1993	Conti	D7/545
D337,025 S		7/1993	Merwin et al.		
D337,485 S		7/1993	Merwin et al.		
D345,893 S		4/1994	Jaworski		
D346,934 S		5/1994	Littlejohn		
D359,879 S	*	7/1995	Fielding et al.	D7/354
D370,598 S	*	6/1996	Koch	D7/543
D373,053 S	*	8/1996	Allegre	D7/587
D373,509 S		9/1996	Bormioli		
D376,295 S		12/1996	Ahern, Jr. et al.		
D378,561 S	*	3/1997	Ferris et al.	D7/554.3
5,607,077 A		3/1997	Torkelson		
D380,349 S	*	7/1997	Indekeu	D7/543
5,662,240 A		9/1997	Norris		
D386,048 S		11/1997	Bebawey		
5,695,052 A		12/1997	Damato		
D392,152 S	*	3/1998	Rae	D7/402
D392,840 S	*	3/1998	Rae	D7/402
5,758,773 A		6/1998	Clements		
D405,561 S		2/1999	Willinger et al.		
D408,686 S	*	4/1999	Lillelund et al.	D7/554.2
D417,584 S		12/1999	Lillelund et al.		
D418,058 S	*	12/1999	Chatterton et al.	D9/434
D420,856 S		2/2000	Yeo et al.		
D424,881 S		5/2000	Sundberg		
D427,842 S	*	7/2000	Iacchetti	D7/359
D432,360 S		10/2000	Greene		
D433,878 S	*	11/2000	Joergensen	D7/552.1
D434,605 S		12/2000	Littlejohn et al.		
D438,063 S		2/2001	Indekeu		
D445,303 S		7/2001	Littlejohn et al.		
D445,304 S		7/2001	Littlejohn et al.		
D450,221 S		11/2001	Littlejohn et al.		
D452,118 S		12/2001	Benson		
D452,417 S		12/2001	Whitmore et al.		
6,401,955 B1		6/2002	Yang		
6,401,962 B1		6/2002	Littlejohn et al.		
D466,762 S	*	12/2002	Cote et al.	D7/545
D470,006 S	*	2/2003	Cooper et al.	D7/360
D470,711 S	*	2/2003	Kloppsteck	D7/359
D475,571 S	*	6/2003	Hopkins	D7/359
D475,579 S	*	6/2003	Jørgensen	D7/545
D477,187 S	*	7/2003	McCallister et al.	D7/545
D480,604 S	*	10/2003	Lillelund et al.	D7/543
D487,214 S	*	3/2004	Rutter et al.	D7/393
D487,669 S	*	3/2004	Smith et al.	D7/396.1

* cited by examiner

FIG. 1

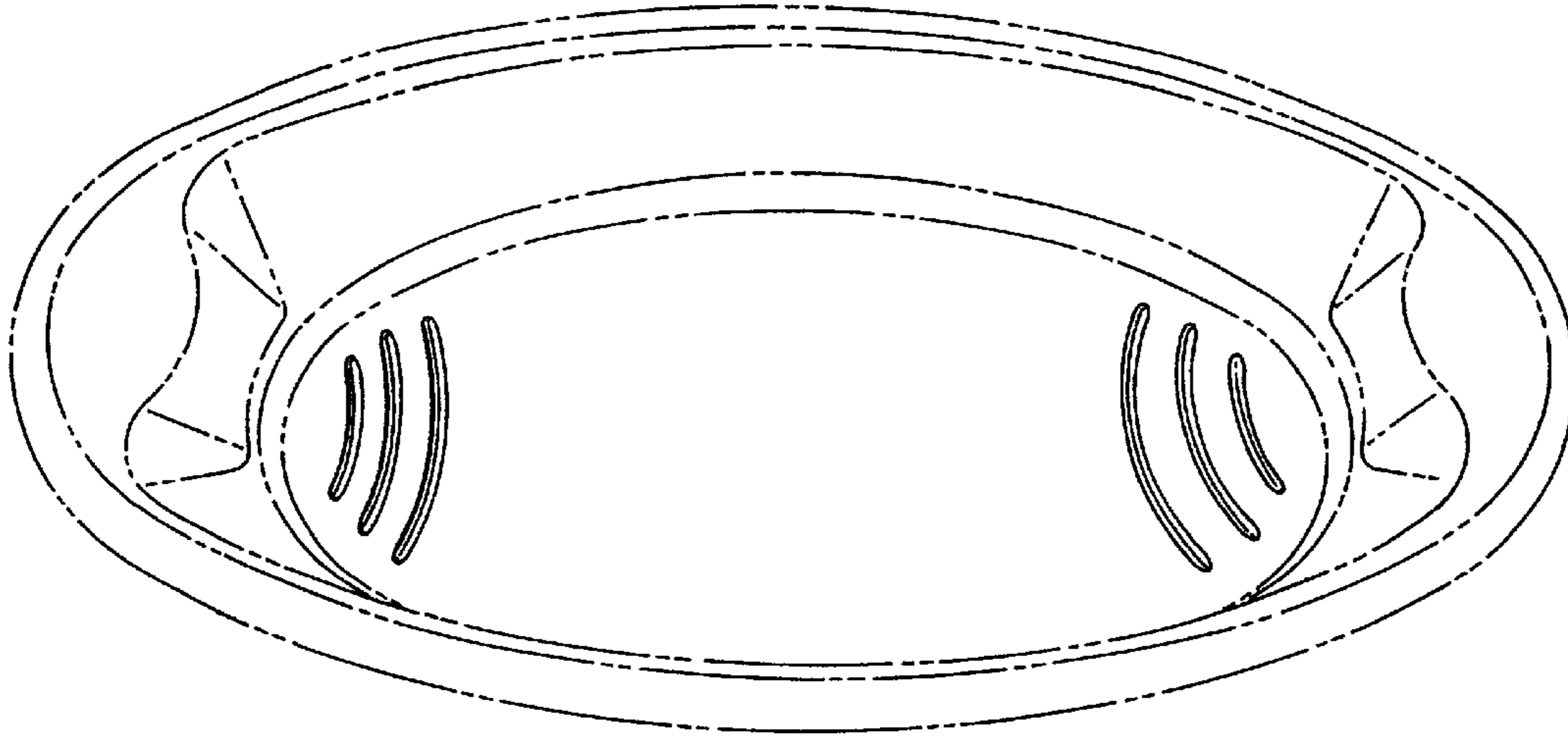


FIG. 2

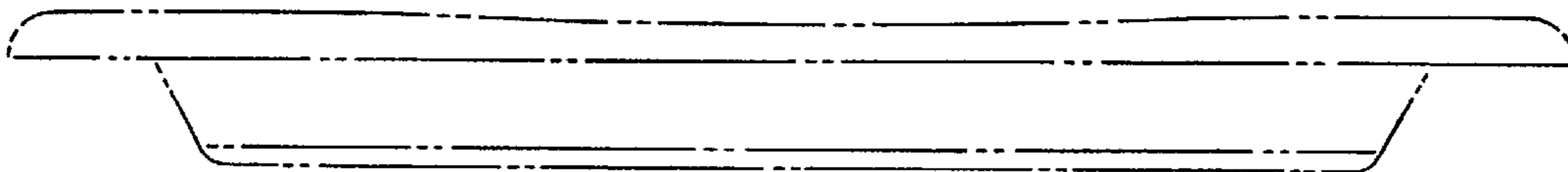


FIG. 3

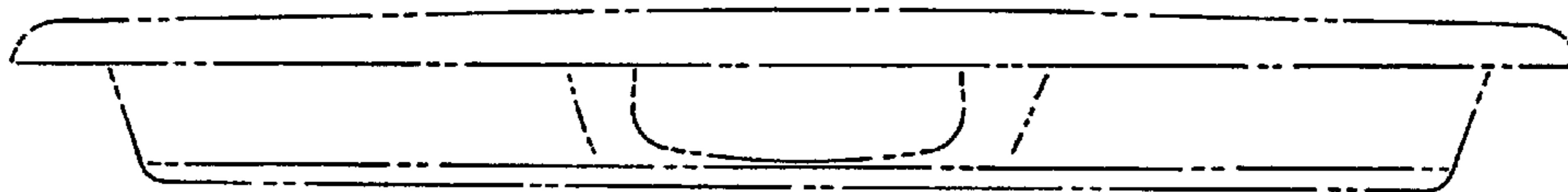


FIG. 4

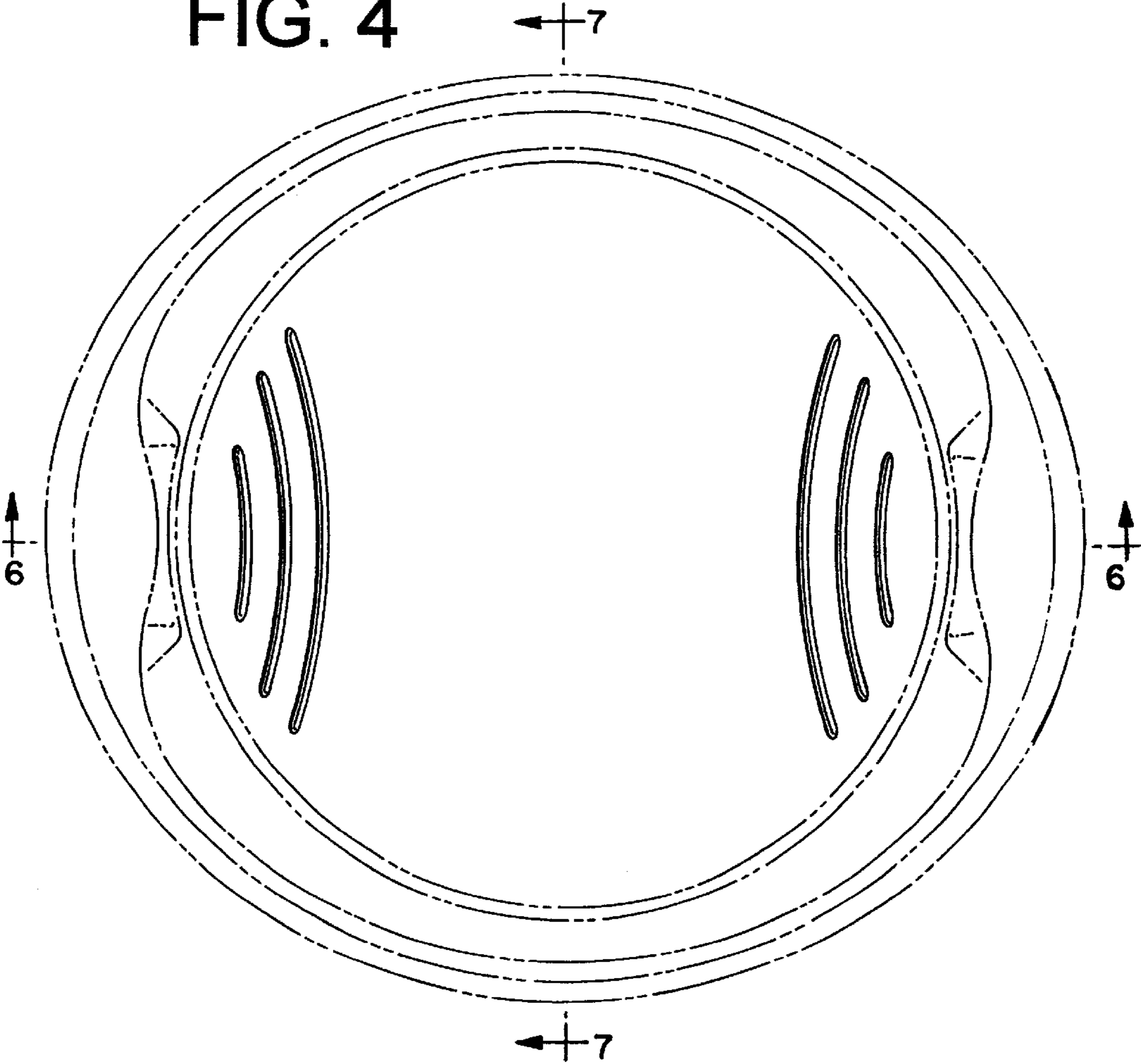


FIG. 5

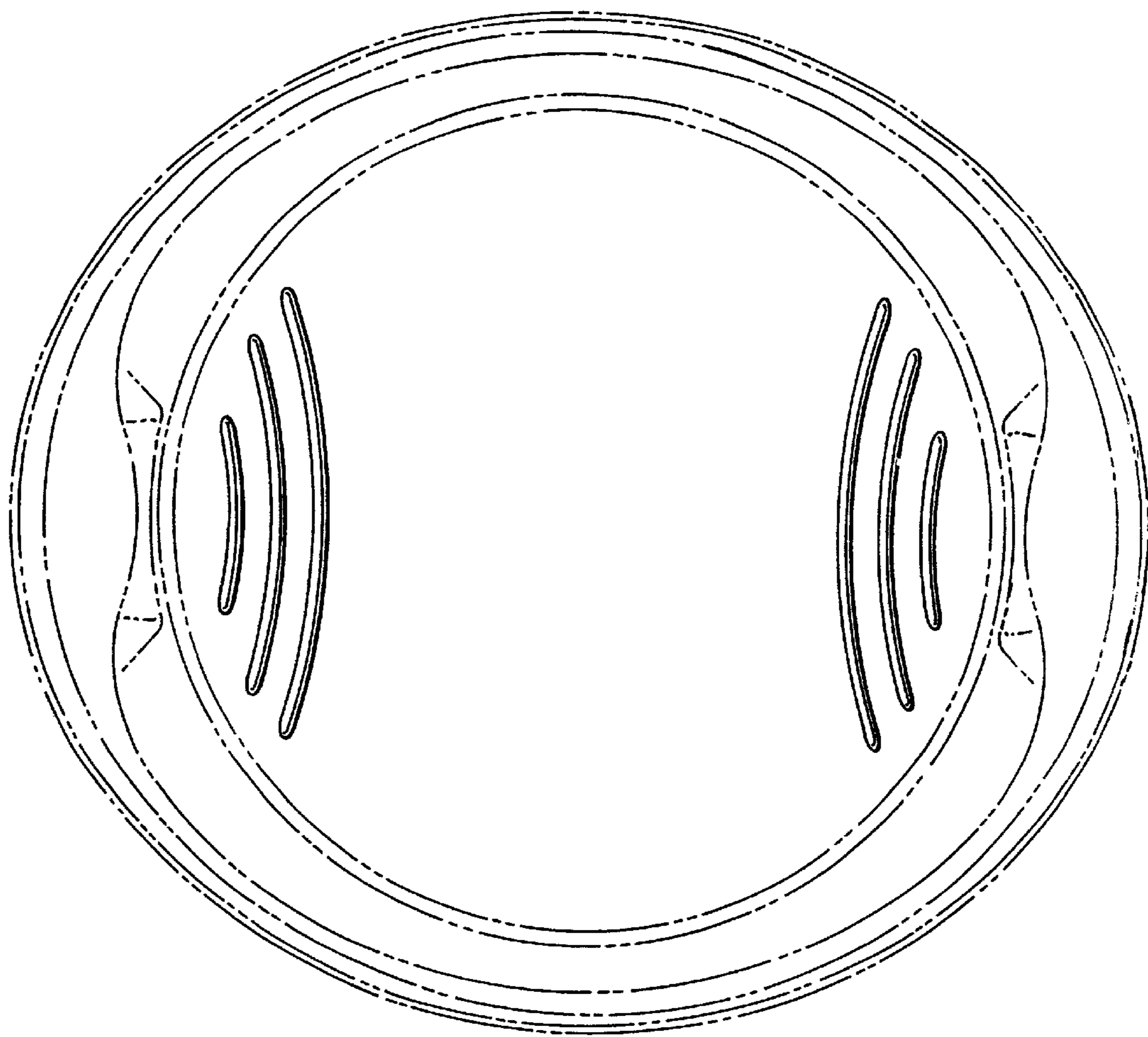


FIG. 6

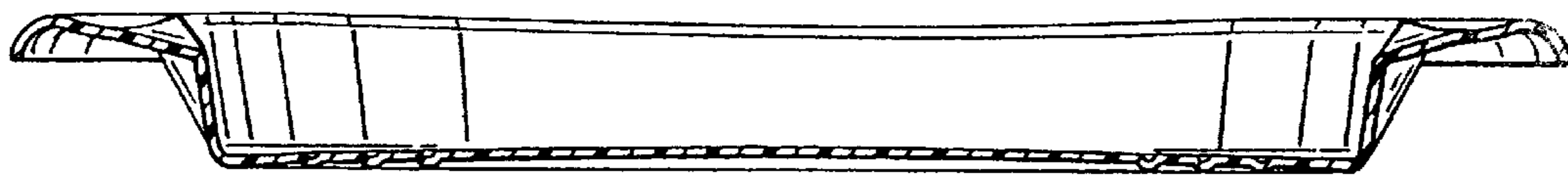


FIG. 7

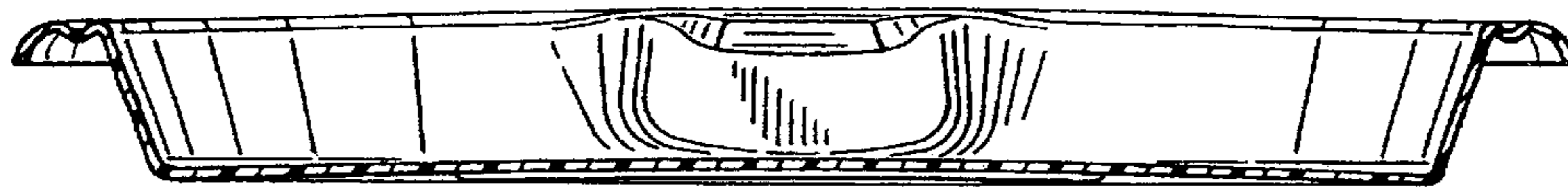


FIG. 8

