

US00D499930S

(12) **United States Design Patent**
Bodum

(10) **Patent No.:** **US D499,930 S**
(45) **Date of Patent:** **** Dec. 21, 2004**

(54) **PAN**
(75) **Inventor:** **Jørgen Bodum, St. Niklausen (CH)**
(73) **Assignee:** **PI-Design AG, Triengen (CH)**
(**) **Term:** **14 Years**

1,933,890 A * 11/1933 Carlson 220/912
5,121,848 A * 6/1992 Waligorski 220/912
D375,433 S * 11/1996 Jorgensen D7/354

FOREIGN PATENT DOCUMENTS

GB Design 2058142 * 4/1996

* cited by examiner

Primary Examiner—Caron D. Veynar

(74) *Attorney, Agent, or Firm*—Nath & Associates PLLC

(21) **Appl. No.:** **29/194,933**
(22) **Filed:** **Dec. 4, 2003**
(30) **Foreign Application Priority Data**

Jun. 20, 2003 (DK) 2003 00326

(51) **LOC (7) Cl.** **07-02**

(52) **U.S. Cl.** **D7/361**

(58) **Field of Search** D7/500, 323, 354–361,
D7/391, 393–396; 99/324, 339; 219/620–622;
220/573.1–574, 912

(57) **CLAIM**

The ornamental design for a pan, as shown and described.

DESCRIPTION

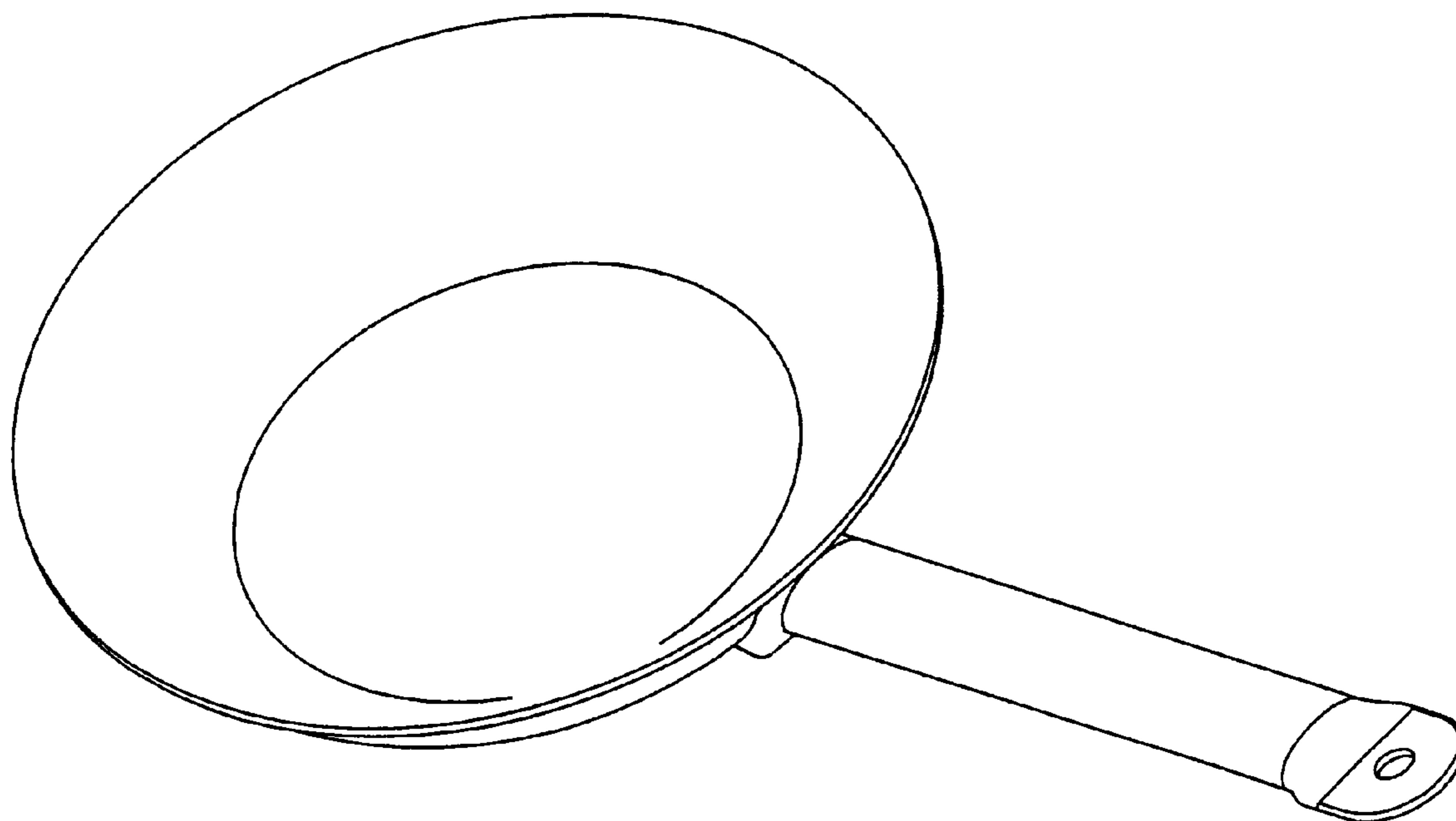
FIG. 1 is an oblique perspective view of the pan;
FIG. 2 is a front view of the pan, as shown in FIG. 1;
FIG. 3 is a back side view of the pan;
FIG. 4 is a right side view of the pan;
FIG. 5 is a left side view of the pan;
FIG. 6 is a top view of the pan; and,
FIG. 7 is a bottom view of the pan.

(56) **References Cited**

U.S. PATENT DOCUMENTS

D29,714 S * 11/1898 Hall D7/359

1 Claim, 7 Drawing Sheets



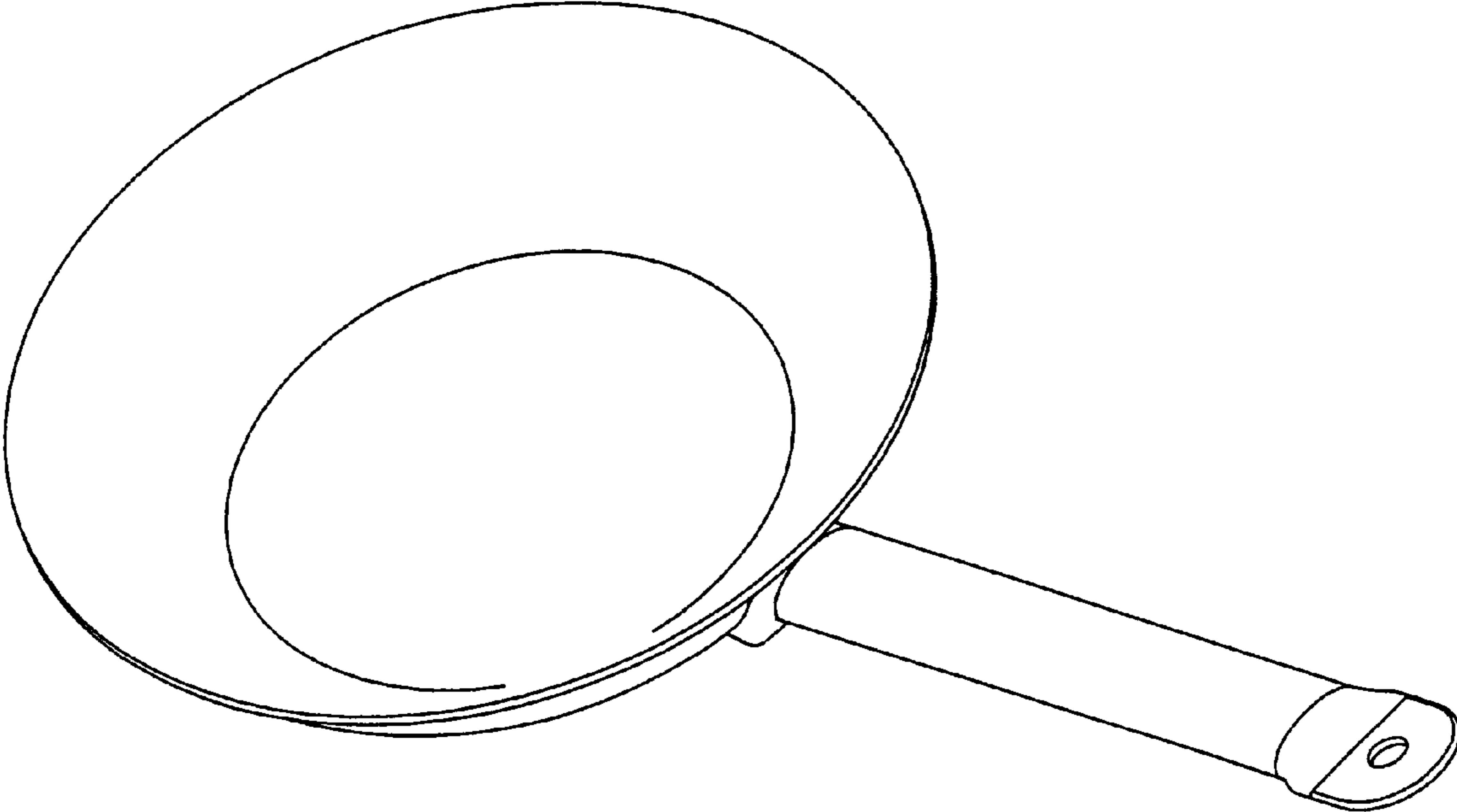


Fig. 1

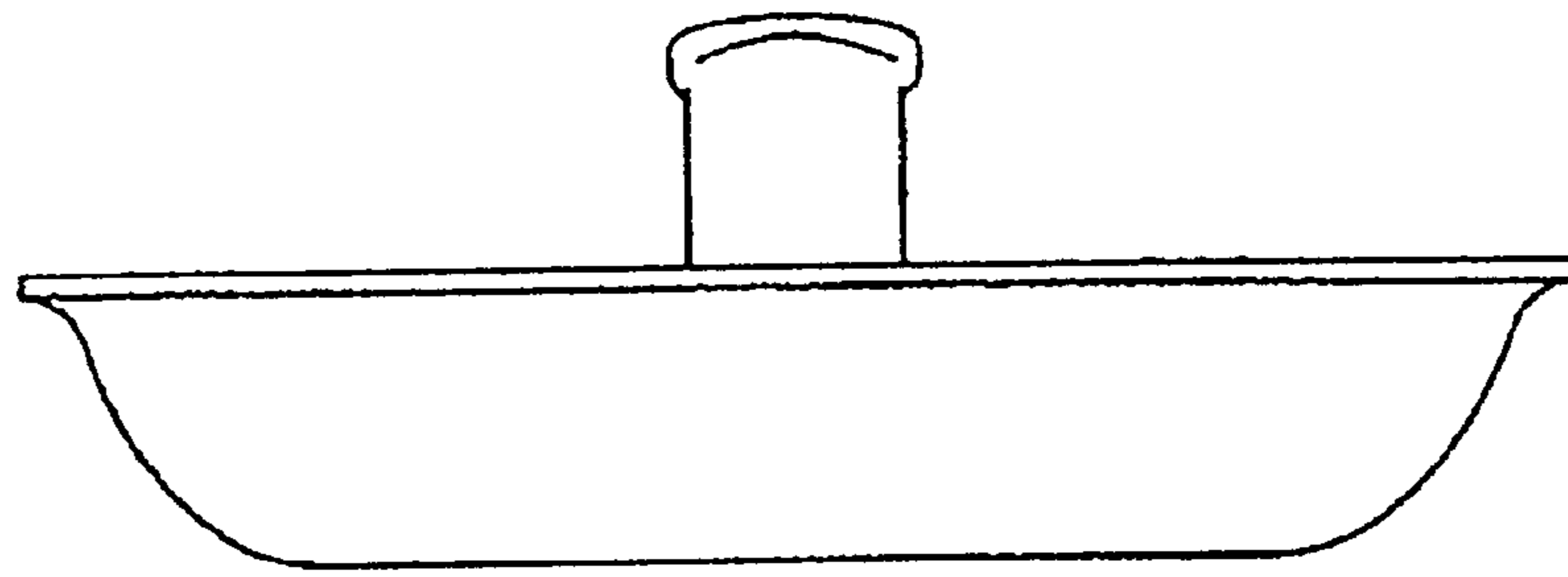


Fig. 2

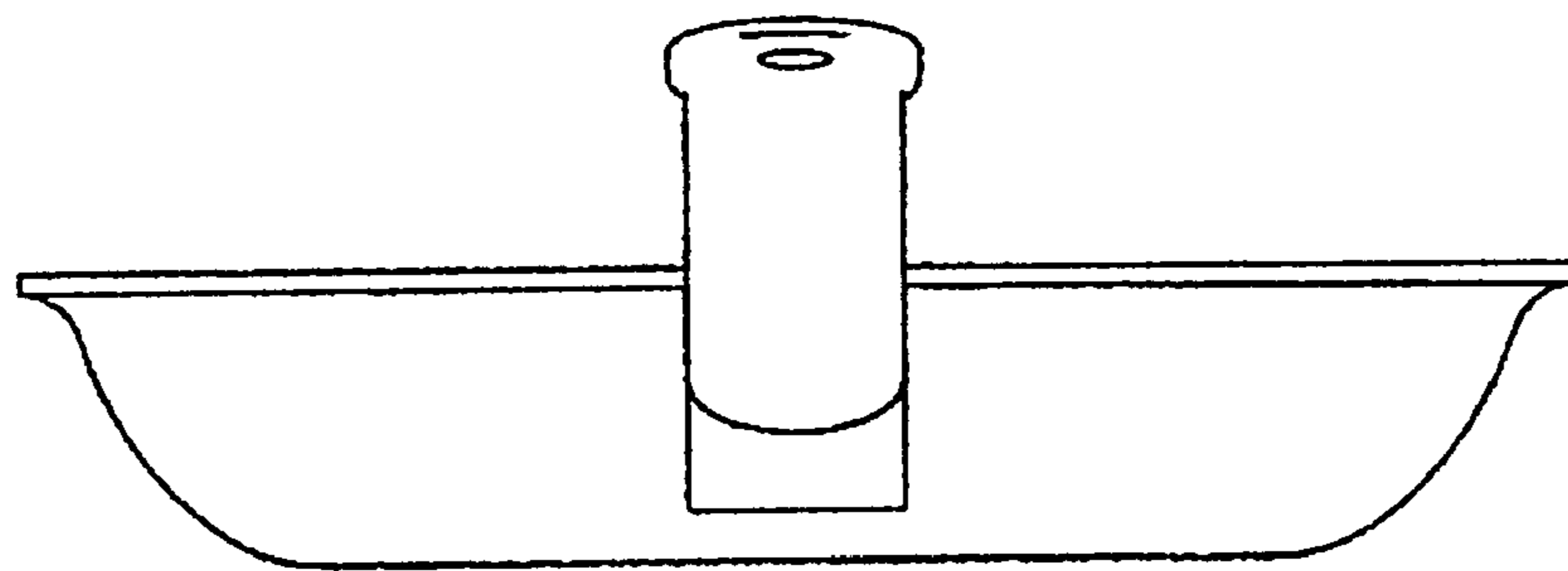


Fig. 3

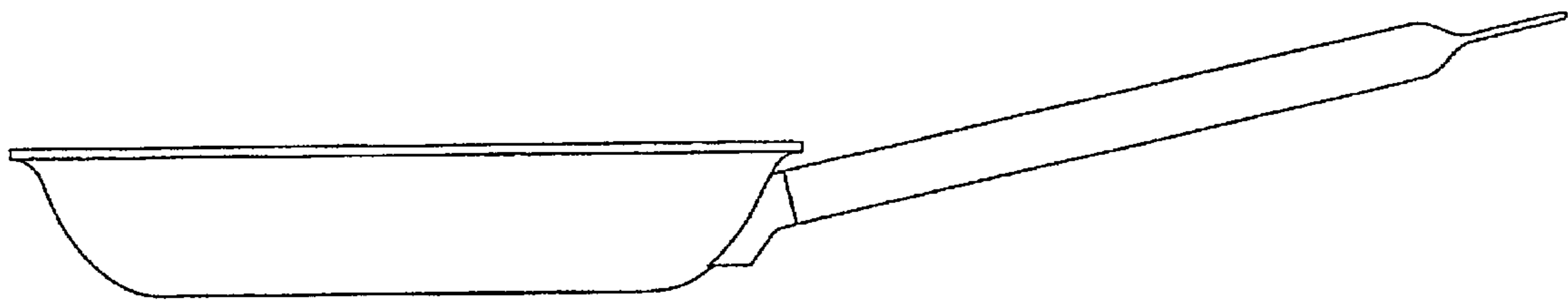


Fig. 4

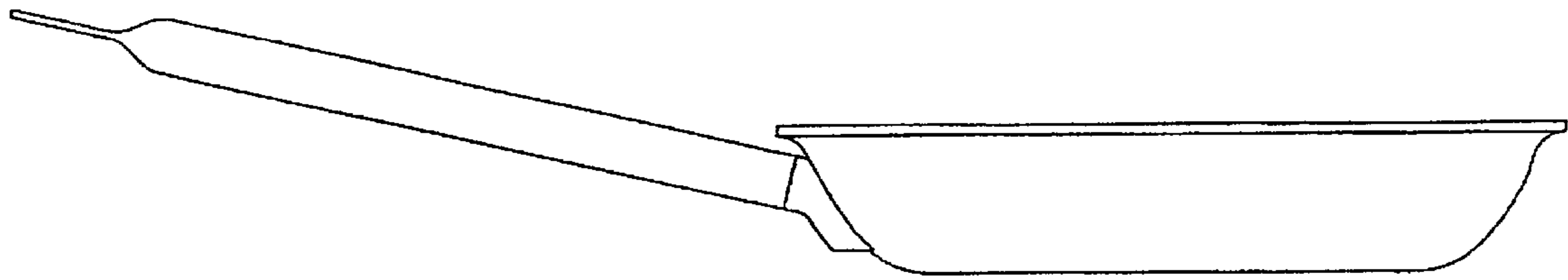


Fig. 5

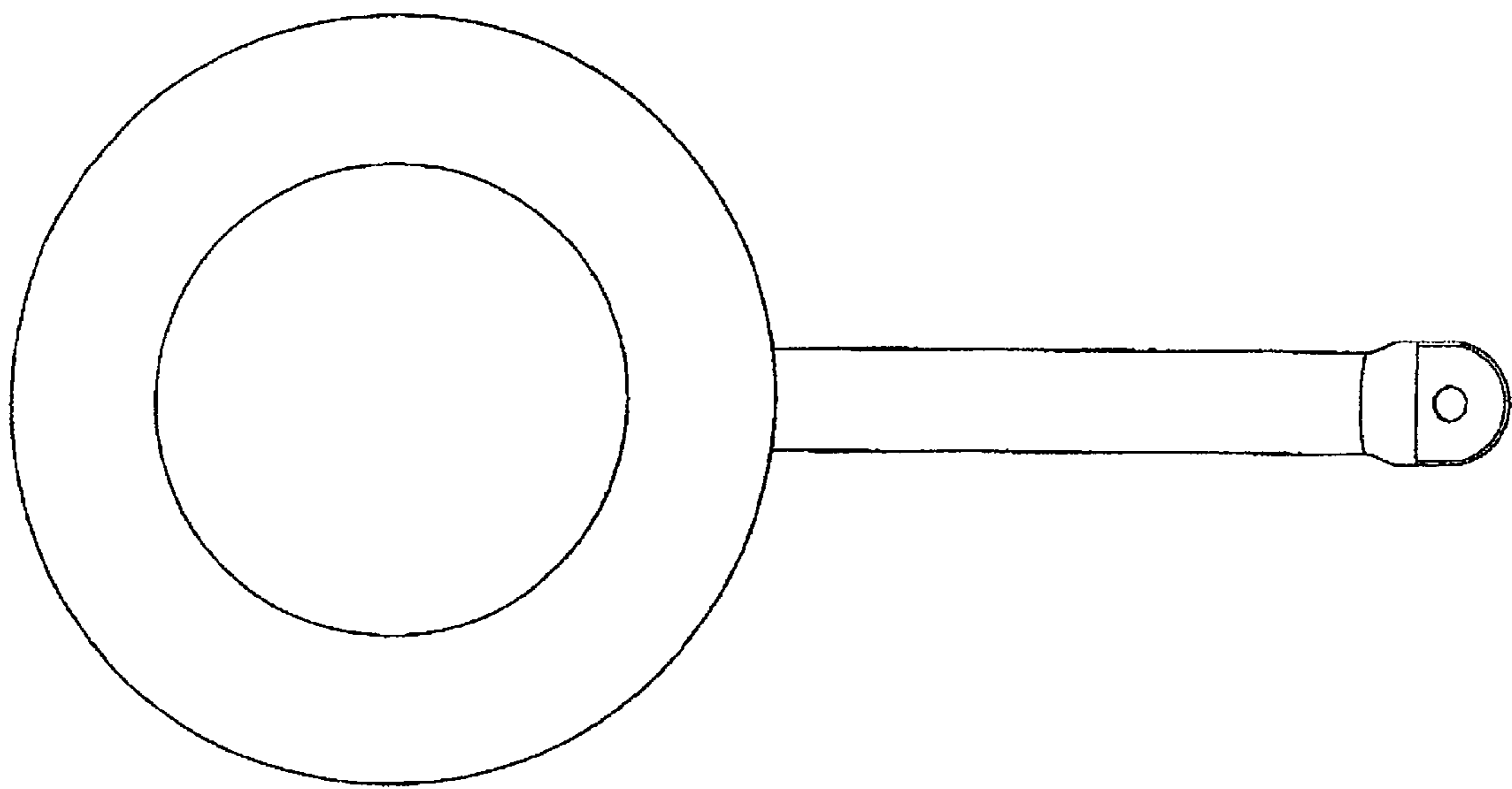


Fig. 6

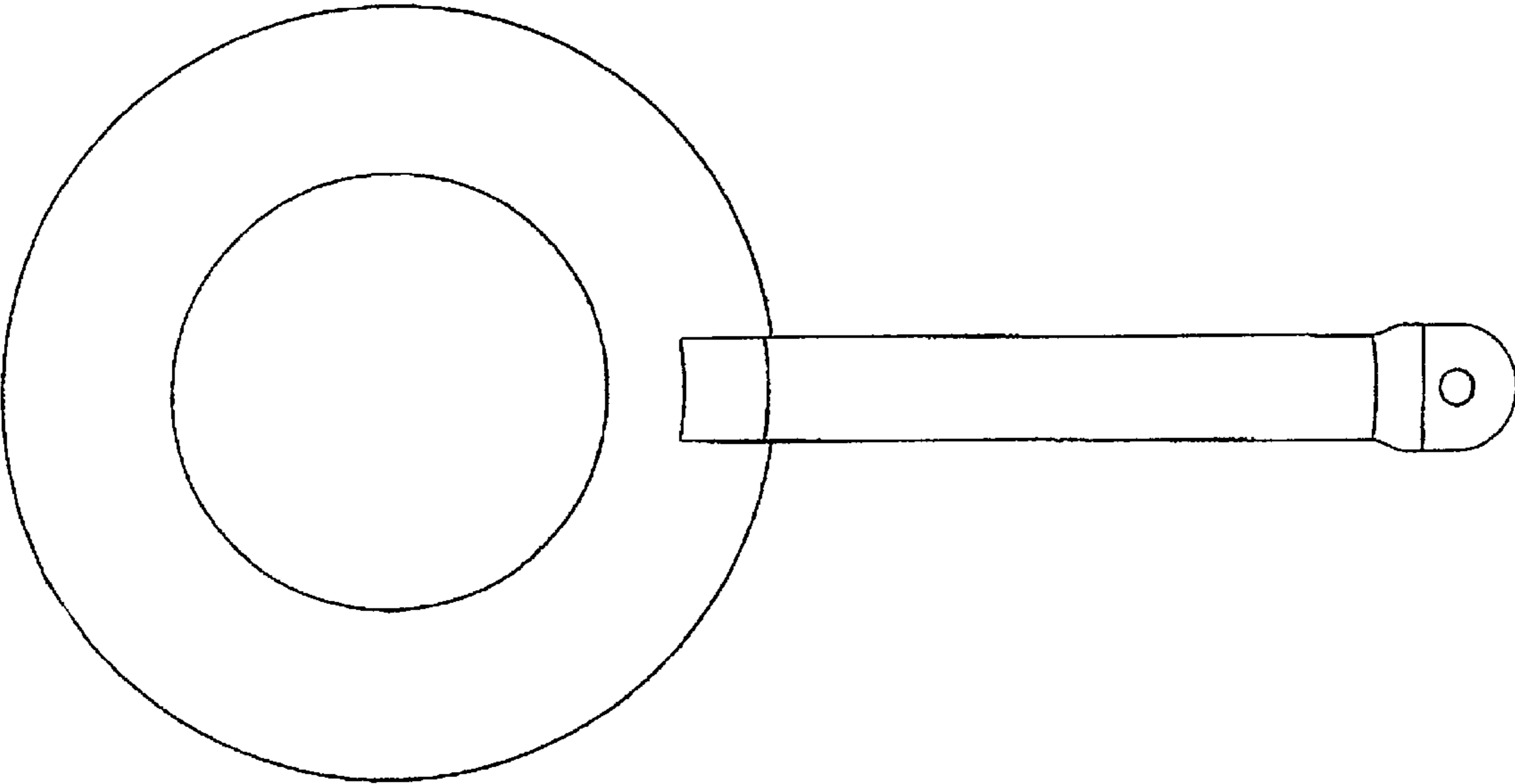


Fig. 7