

US00D499928S

(12) **United States Design Patent**  
**Zhang**

(10) **Patent No.:** **US D499,928 S**

(45) **Date of Patent:** **\*\* Dec. 21, 2004**

(54) **BARBEQUE GRILL COOKING APPARATUS**

(76) **Inventor:** **S. R. Zhang**, Block 6, Lakepoint Drive,  
No. 03-38, Singapore (SG), 648925

(\*\*) **Term:** **14 Years**

(21) **Appl. No.:** **29/189,598**

(22) **Filed:** **Sep. 6, 2003**

(51) **LOC (7) Cl.** ..... **07-02**

(52) **U.S. Cl.** ..... **D7/334**

(58) **Field of Search** ..... D7/332-337, 402-405,  
D7/350.1, 350.4; 126/25 R, 41 R, 37 R,  
38, 50, 9 R, 9 B; D21/540; D29/106; D22/104

(56) **References Cited**

**U.S. PATENT DOCUMENTS**

D461,359 S	*	8/2002	Coleman et al.	.....	D7/334
D462,227 S	*	9/2002	Alden et al.	.....	D7/334
D465,123 S	*	11/2002	Coleman et al.	.....	D7/334
D465,693 S	*	11/2002	Coleman et al.	.....	D7/334
D466,756 S	*	12/2002	Bossler et al.	.....	D7/334

D470,357 S	*	2/2003	Home	.....	D7/334
D471,057 S	*	3/2003	Chung	.....	D7/334
D475,235 S	*	6/2003	Home	.....	D7/334

\* cited by examiner

*Primary Examiner*—Ruth McInroy

(74) *Attorney, Agent, or Firm*—Leonard Tachner

(57) **CLAIM**

The ornamental design for a barbeque grill cooking apparatus, as shown and described.

**DESCRIPTION**

FIG. 1 is a front view of a barbeque grill cooking apparatus showing my new design;

FIG. 2 is a bottom view thereof;

FIG. 3 is a perspective view thereof;

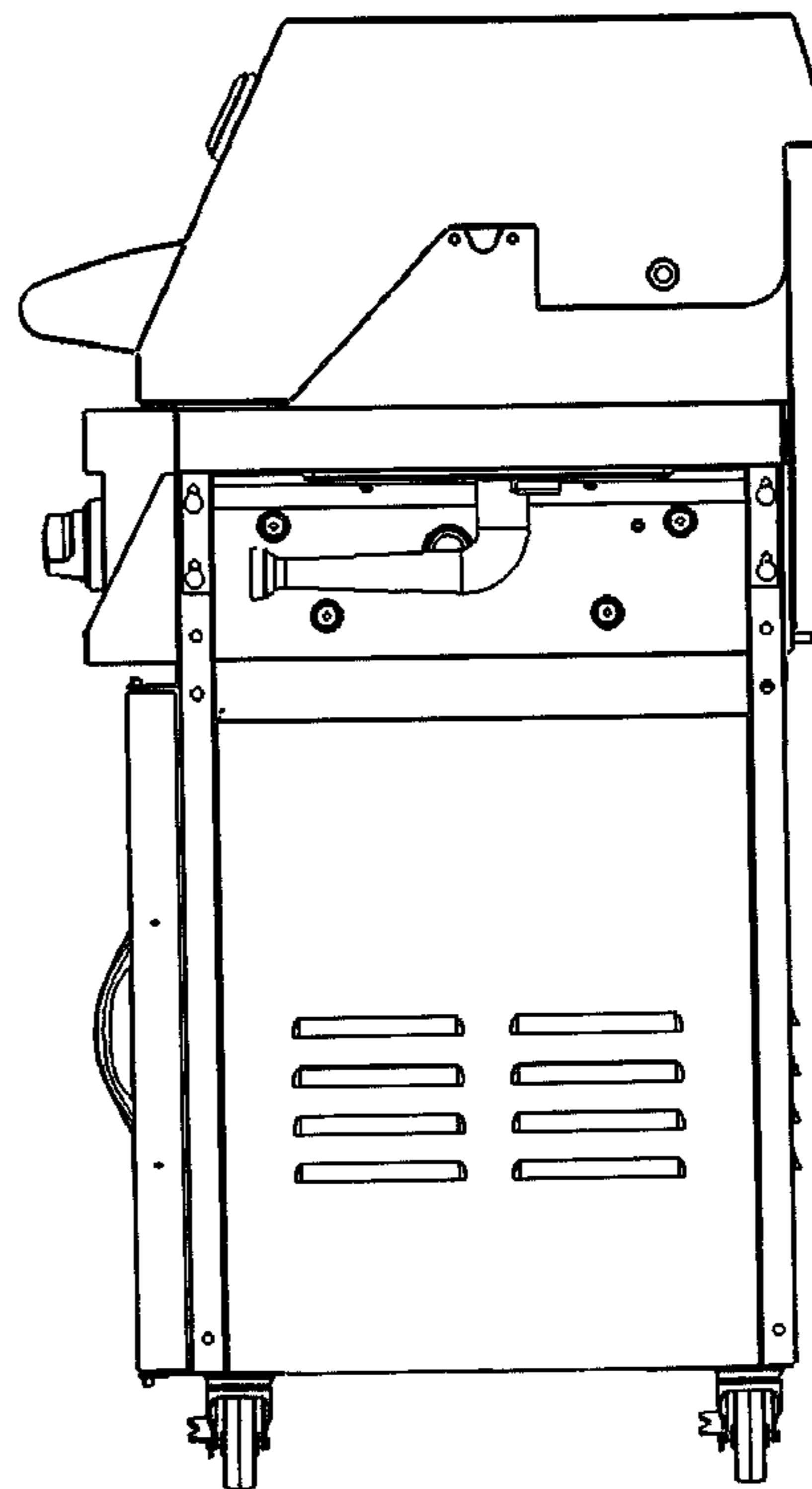
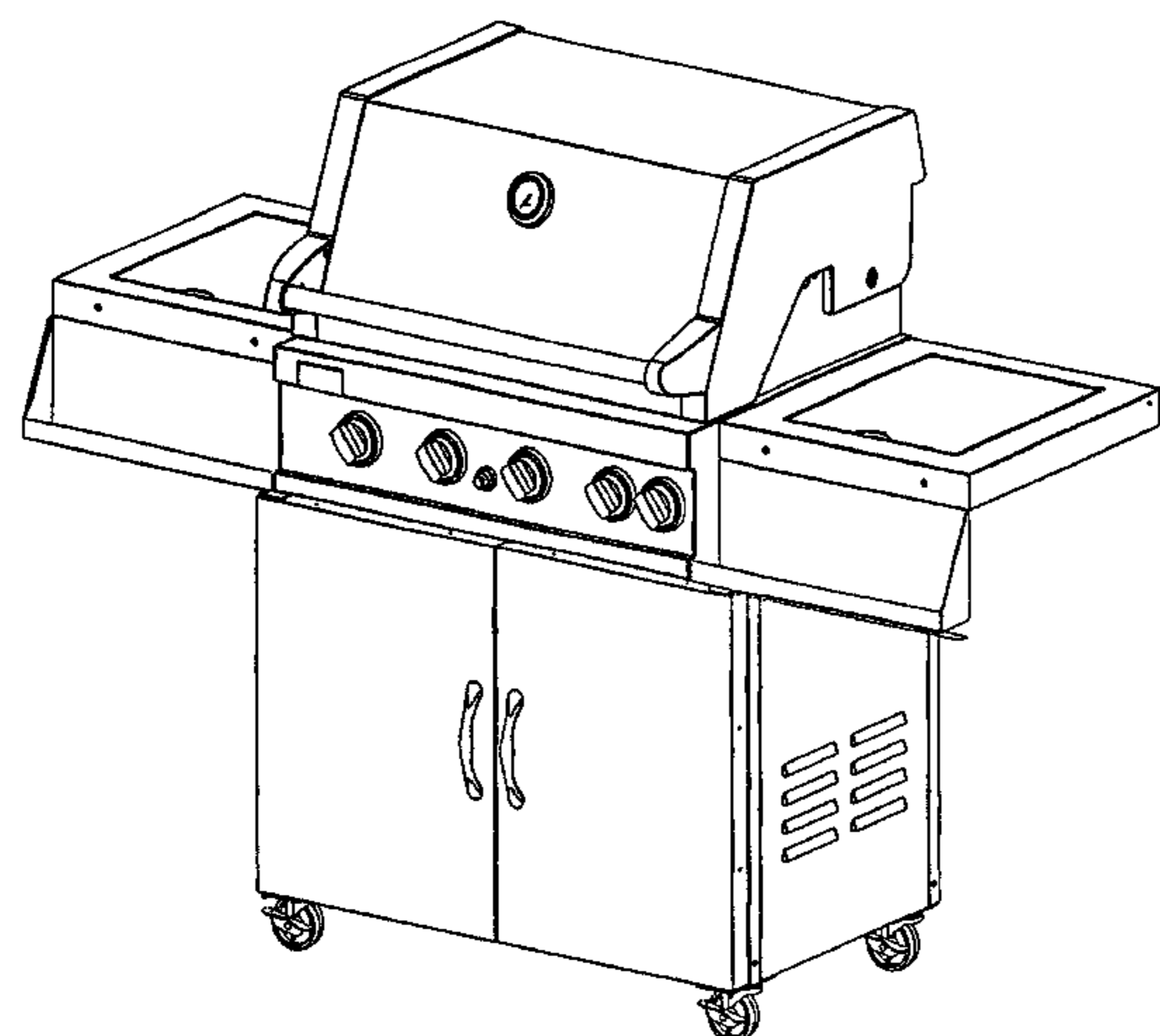
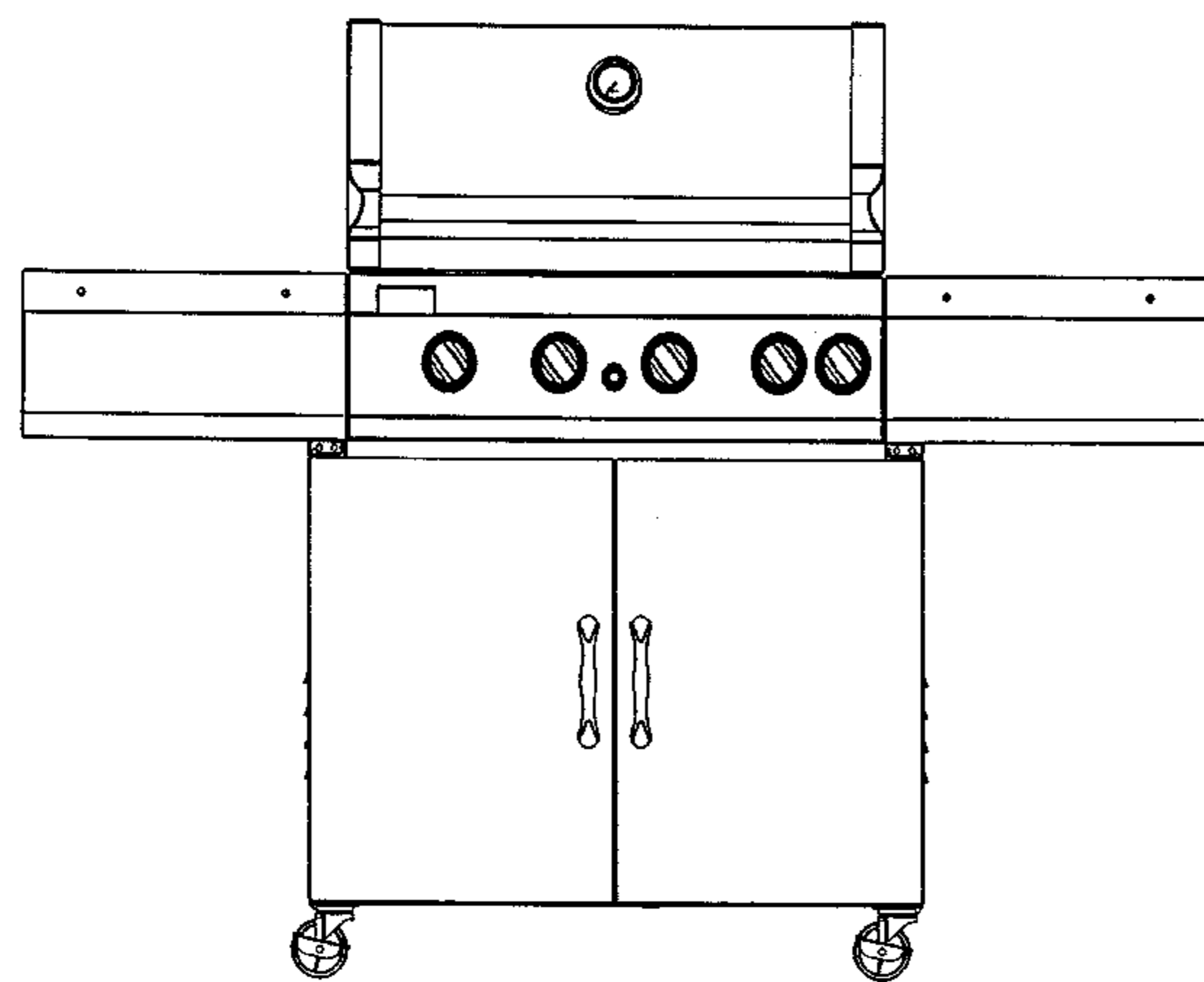
FIG. 4 is an enlarged right side view thereof;

FIG. 5 is an enlarged left side view thereof; and

FIG. 6 is a top view thereof; and,

FIG. 7 is a back view thereof.

**1 Claim, 7 Drawing Sheets**



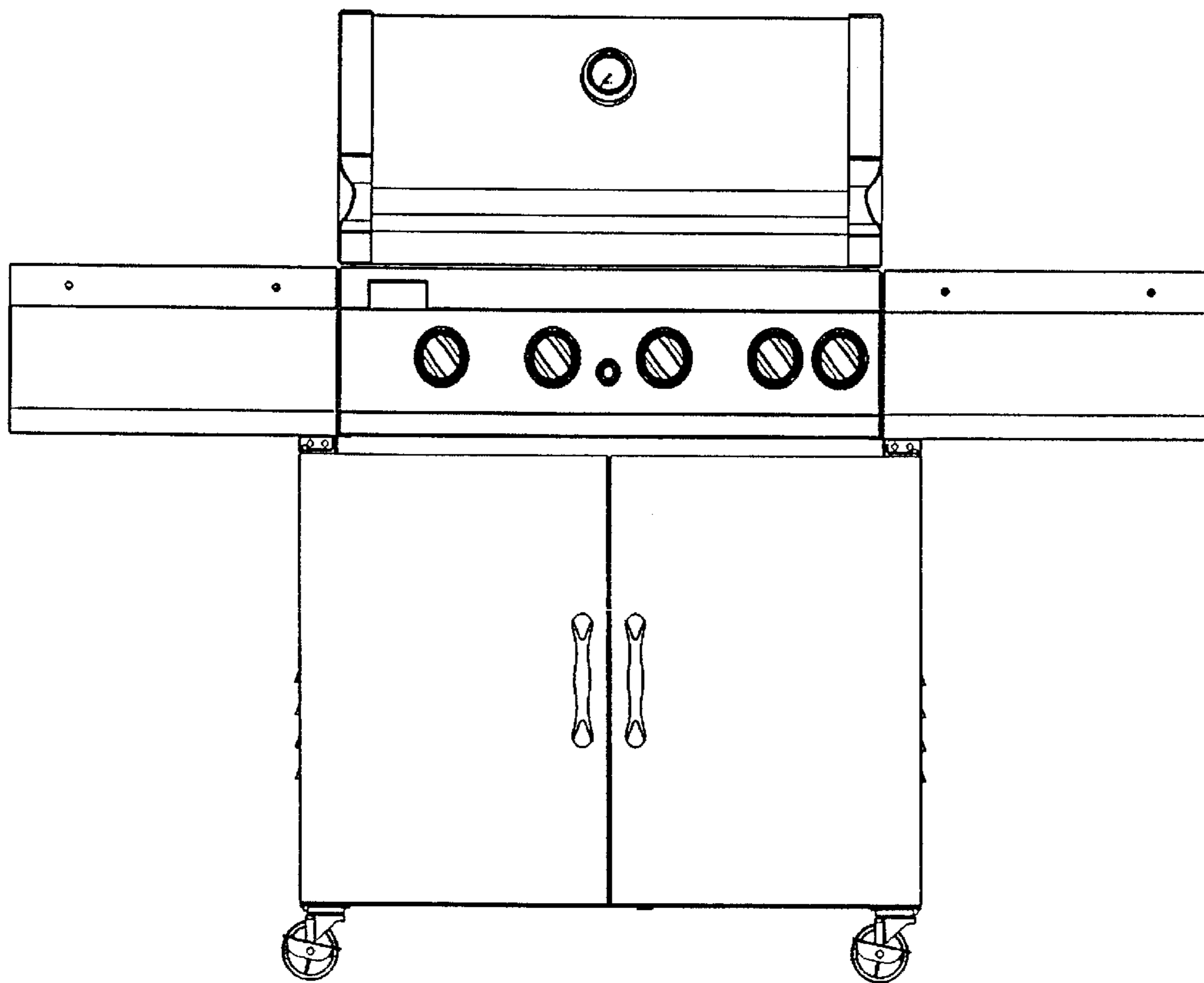


FIG. 1

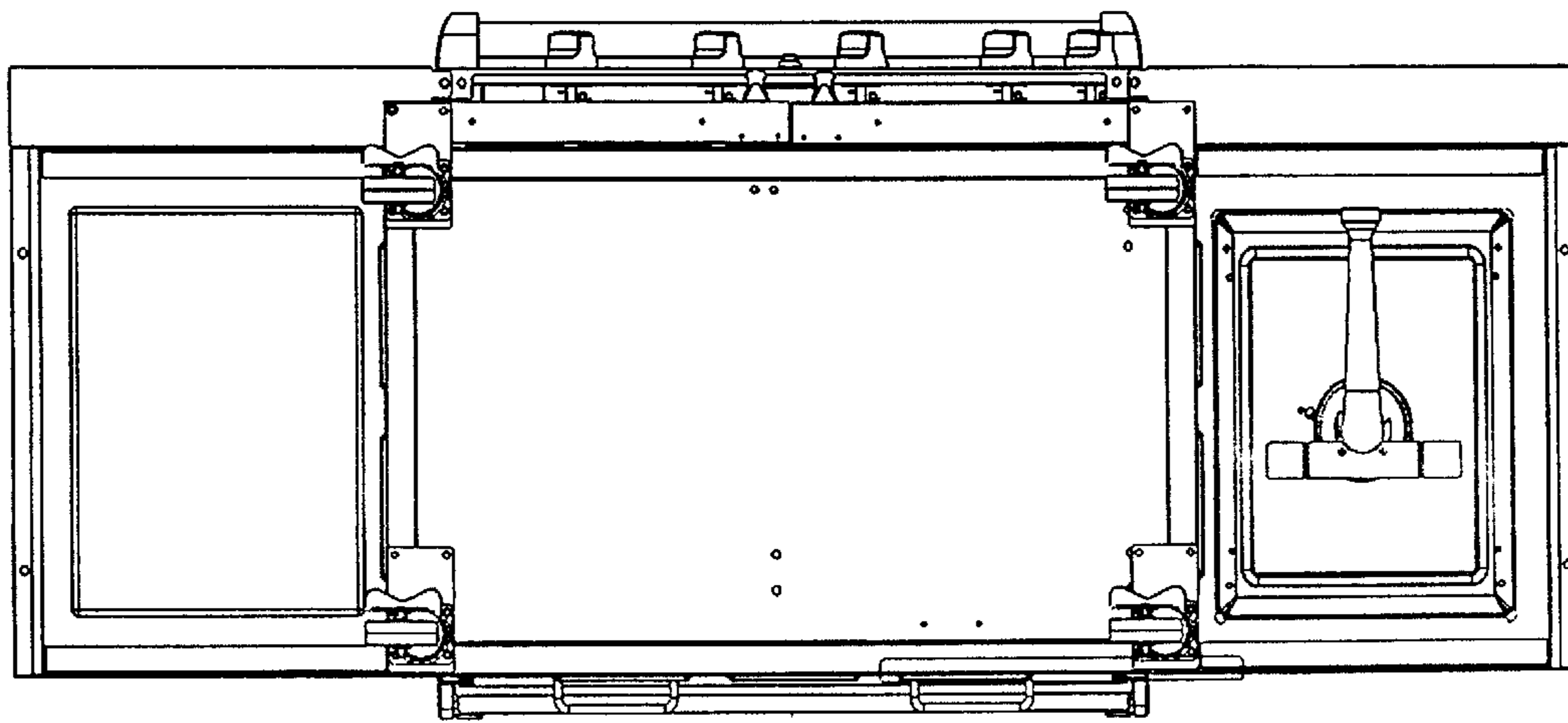


FIG. 2

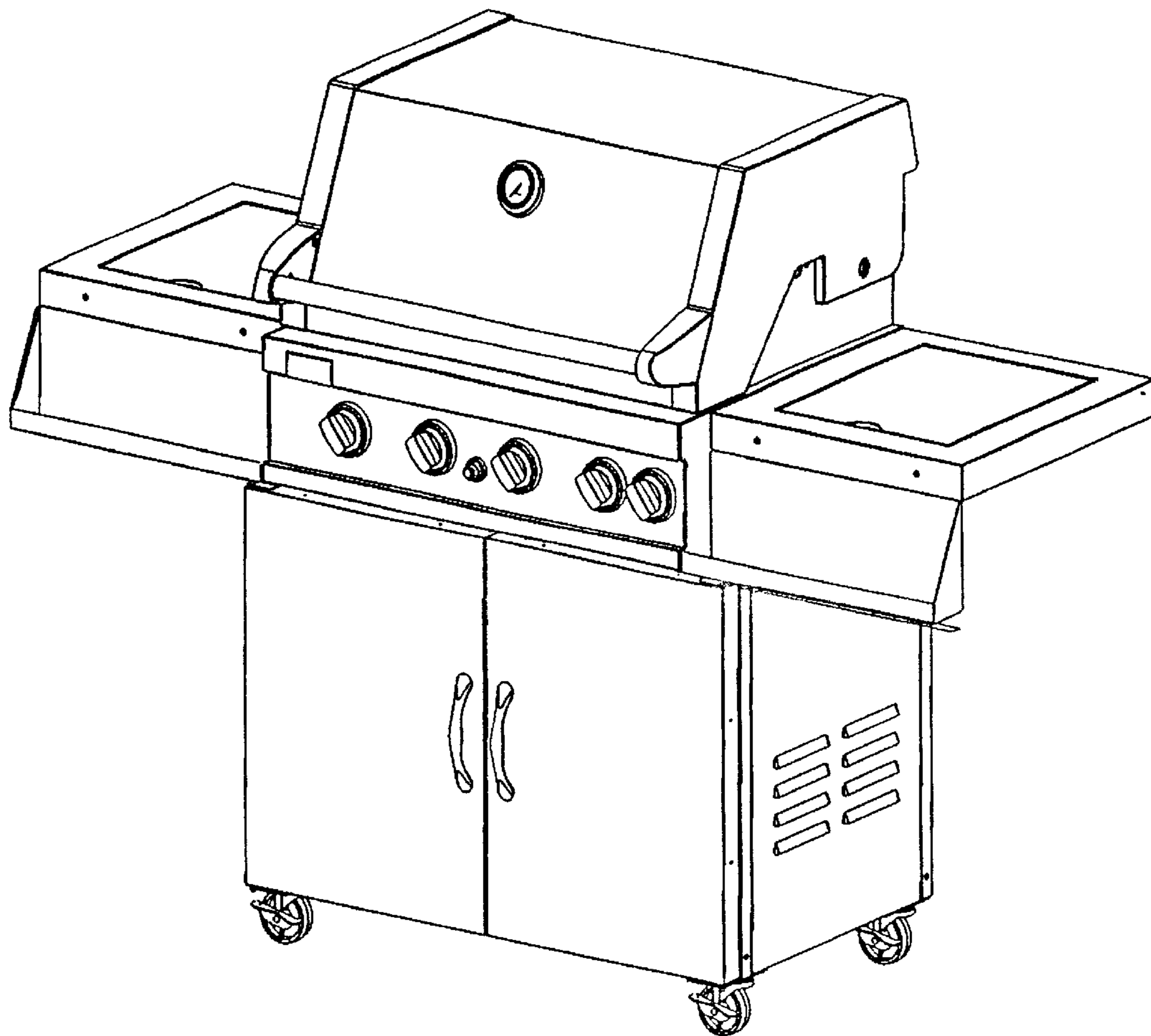


FIG. 3

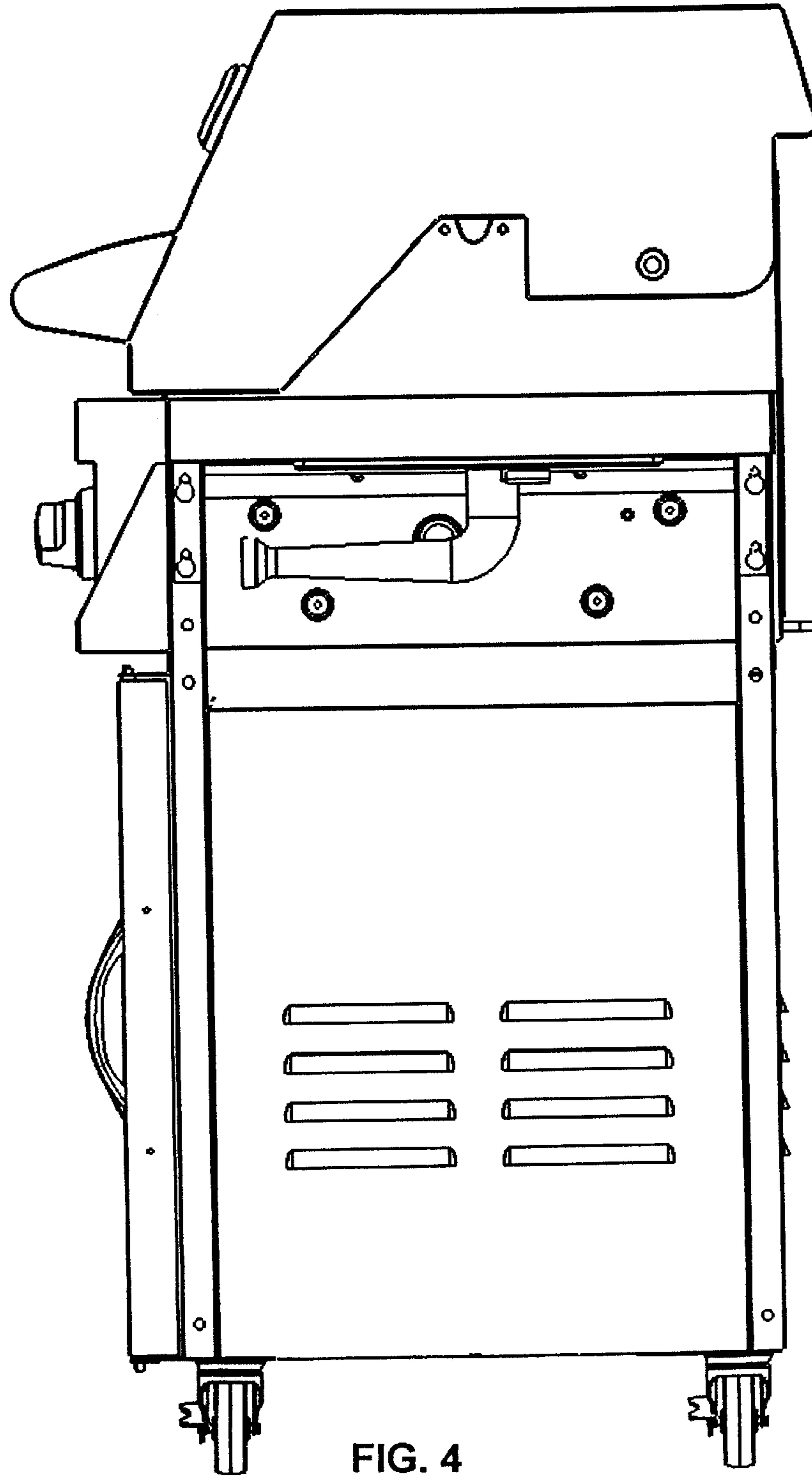


FIG. 4

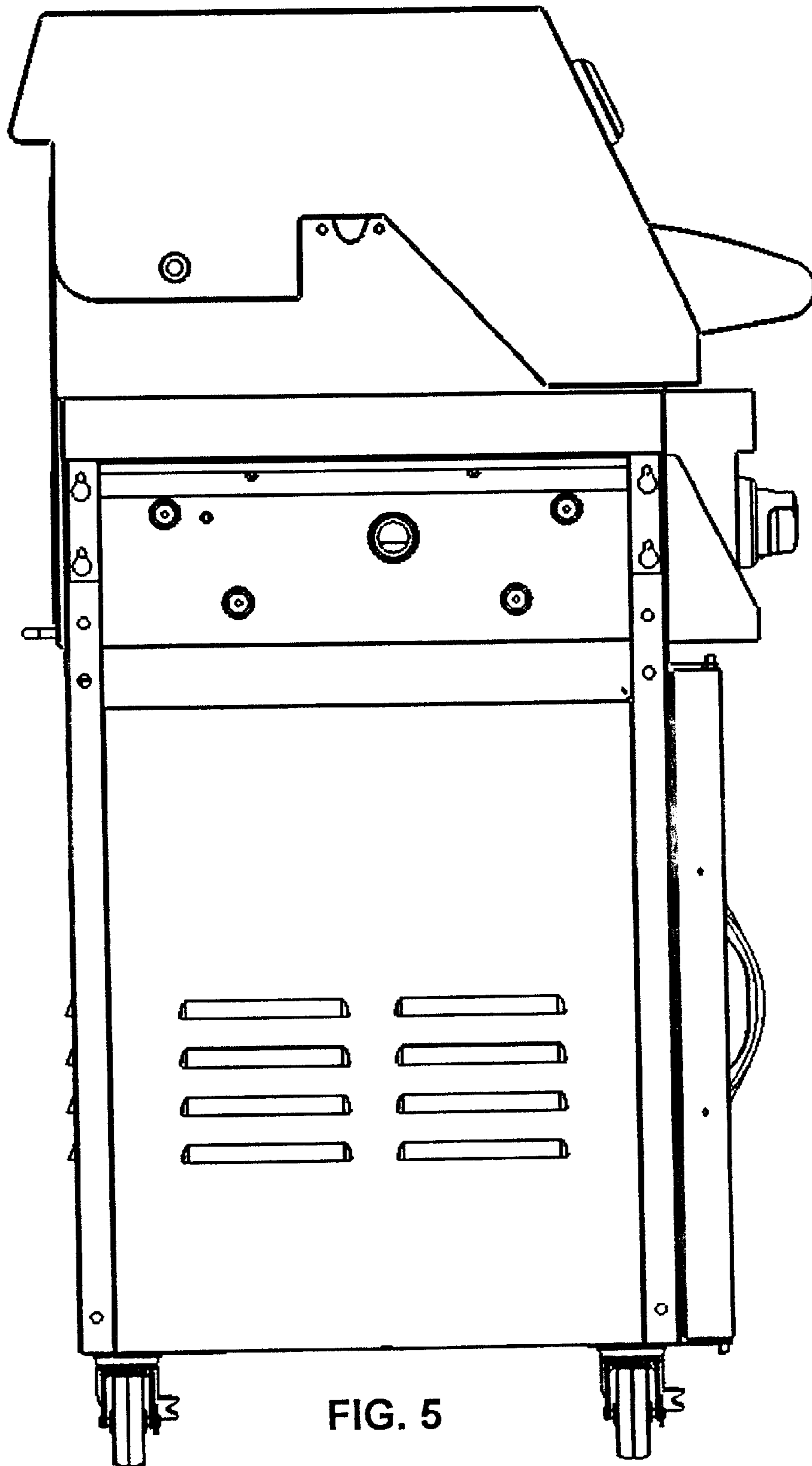


FIG. 5

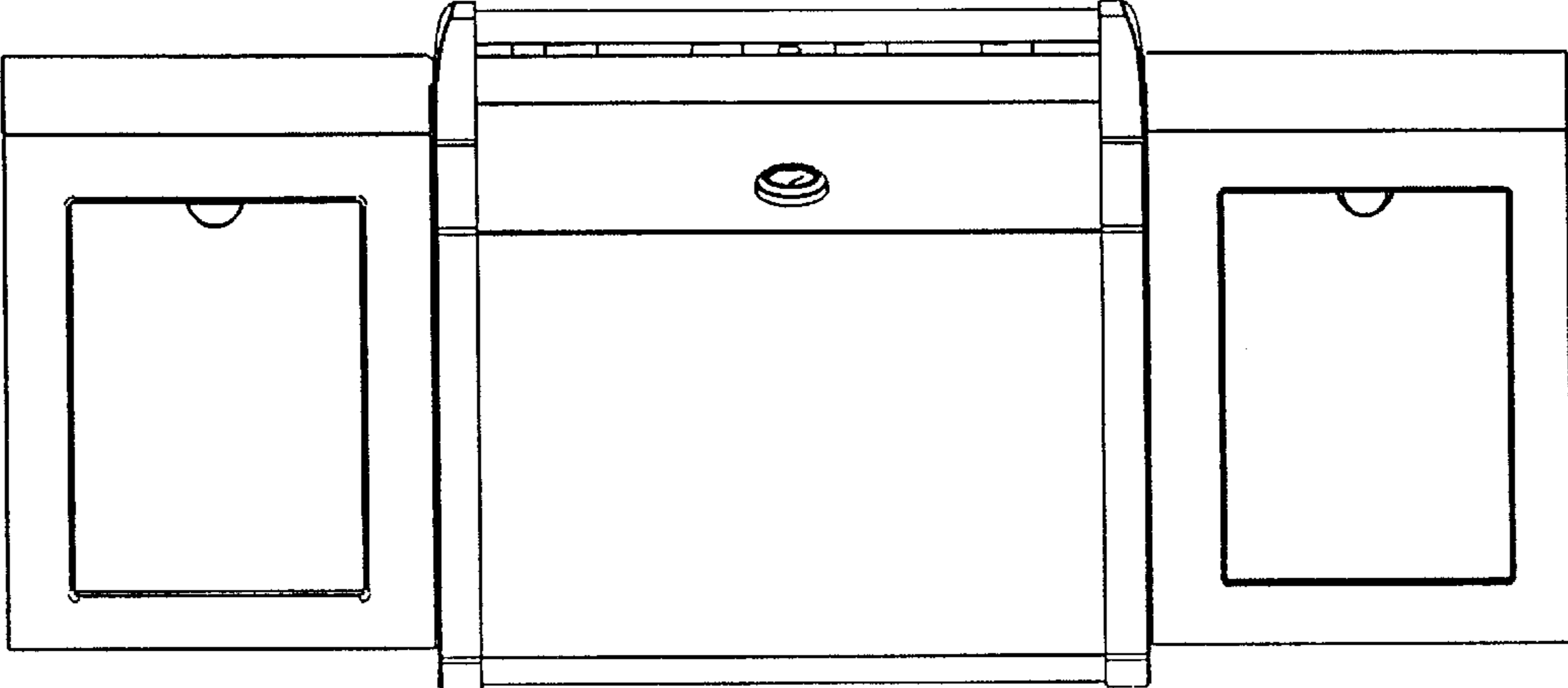


FIG. 6

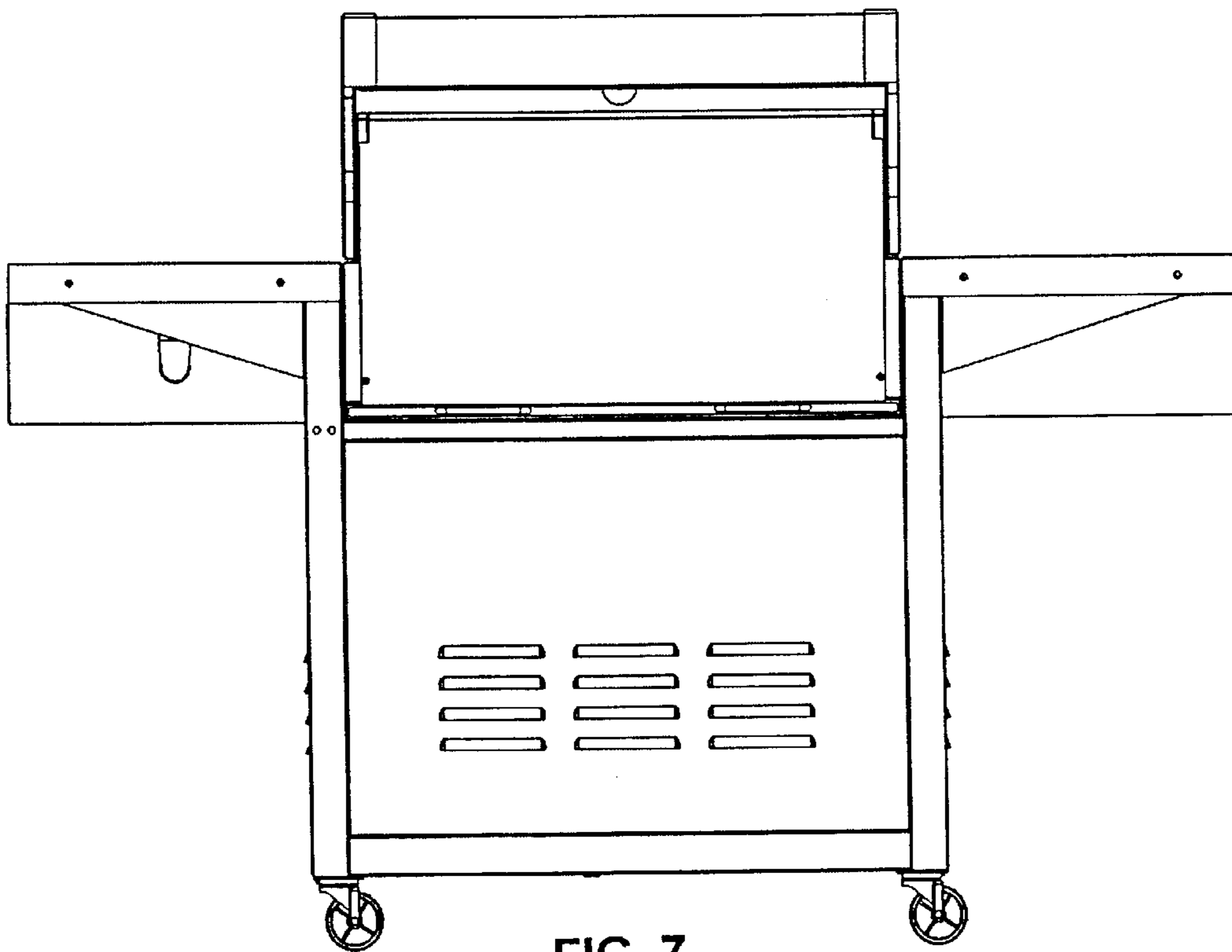


FIG. 7