

US00D499926S

(12) **United States Design Patent** (10) **Patent No.:** **US D499,926 S**
Cahen (45) **Date of Patent:** **** Dec. 21, 2004**

(54) **MILK FROTH MACHINE**

(75) Inventor: **Antoine Cahen**, Lausanne (CH)

(73) Assignee: **Societe des Produits Nestle S.A.**,
Vevey (CH)

(**) Term: **14 Years**

(21) Appl. No.: **29/198,841**

(22) Filed: **Feb. 4, 2004**

(51) **LOC (7) Cl.** **07-01**

(52) **U.S. Cl.** **D7/300; D7/309; D7/310;**
D7/311; D7/379

(58) **Field of Search** **D7/300, 312, 309,**
D7/310, 311, 306, 305, 377, 378, 376,
379; 366/130, 347, 206, 207, 197, 317,
264, 139, 286, 279, 200; 99/292, 293, 279-323.3

(56) **References Cited**

U.S. PATENT DOCUMENTS

D116,747 S * 9/1939 Meeker et al. D7/379
D168,037 S * 10/1952 Karstadt D7/379
4,325,643 A 4/1982 Scott et al. 366/200
D278,200 S * 4/1985 Dahlberg D7/312
4,822,172 A 4/1989 Stottmann
4,893,942 A * 1/1990 Stottmann 366/279
D322,009 S * 12/1991 Doggett D7/379
D322,010 S * 12/1991 Doggett D7/379
D342,183 S 12/1993 de Salazar Camara D7/309
5,524,530 A 6/1996 Nijzingh et al.
5,570,955 A * 11/1996 Swartwout et al. 366/264
5,730,525 A 3/1998 Browne
D394,781 S * 6/1998 Doggett D7/379

6,062,725 A 5/2000 Paturel et al.
D459,628 S 7/2002 Cahen D7/307
D461,358 S 8/2002 Cahen D7/309
6,439,760 B1 8/2002 Langeloh et al.
D468,581 S * 1/2003 Short D7/379
D489,214 S * 5/2004 Noda et al. D7/309
D489,216 S * 5/2004 Stoner D7/309

* cited by examiner

Primary Examiner—M. N. Pandozzi

(74) *Attorney, Agent, or Firm*—Denton L. Anderson;
Sheldon & Mak

(57) **CLAIM**

The ornamental design for a milk froth machine, as shown
and described.

DESCRIPTION

FIG. 1 is a perspective view of the milk froth machine of the
invention;

FIG. 2 is a front view of the milk froth machine illustrated
in FIG. 1;

FIG. 3 is a first side view of the milk froth machine
illustrated in FIG. 1;

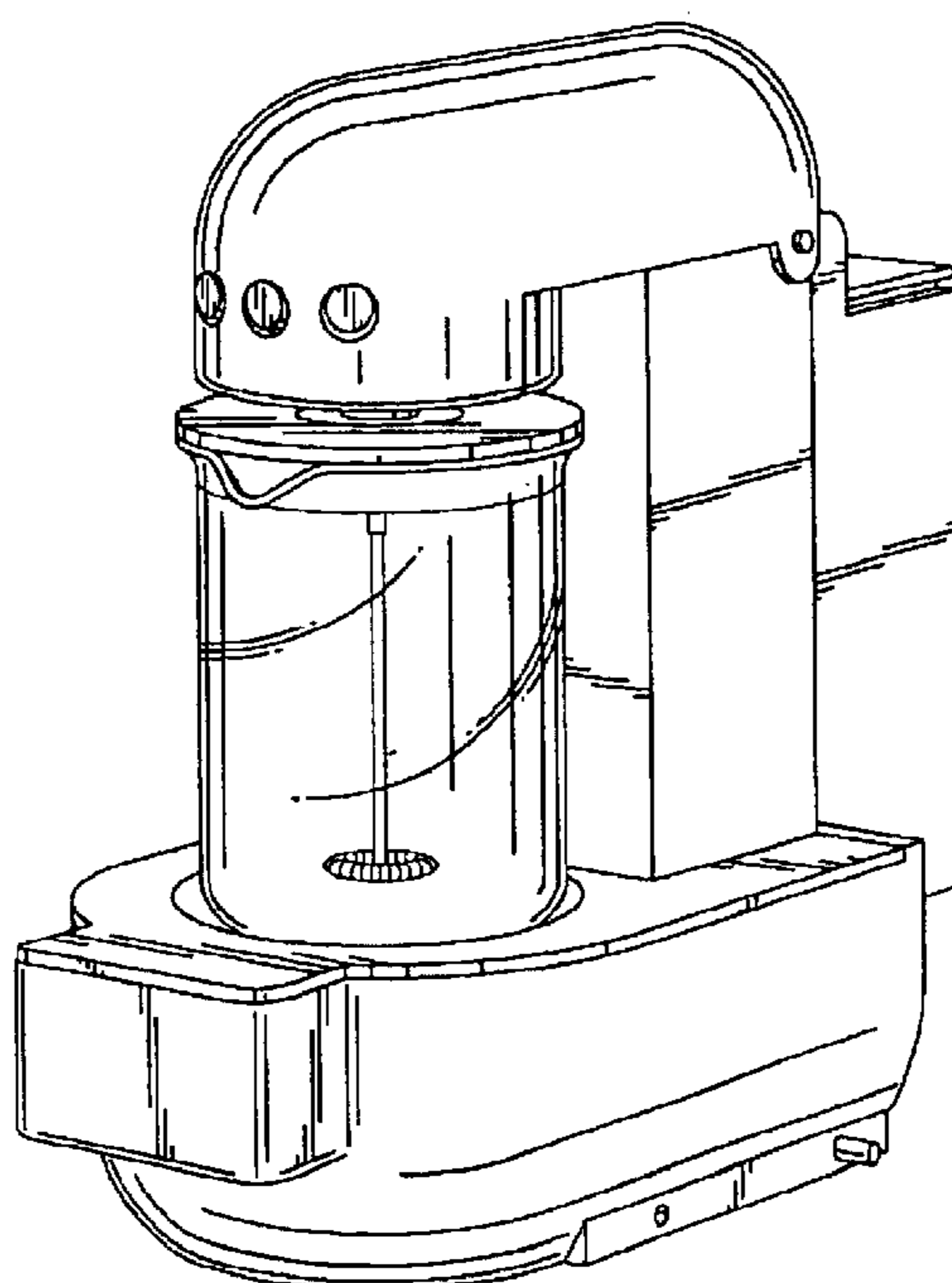
FIG. 4 is a second side view of the milk froth machine
illustrated in FIG. 1;

FIG. 5 is a plan view of the milk froth machine illustrated
in FIG. 1;

FIG. 6 is a bottom view of the milk froth machine illustrated
in FIG. 1; and,

FIG. 7 is a rear view of the milk froth machine illustrated in
FIG. 1.

1 Claim, 3 Drawing Sheets



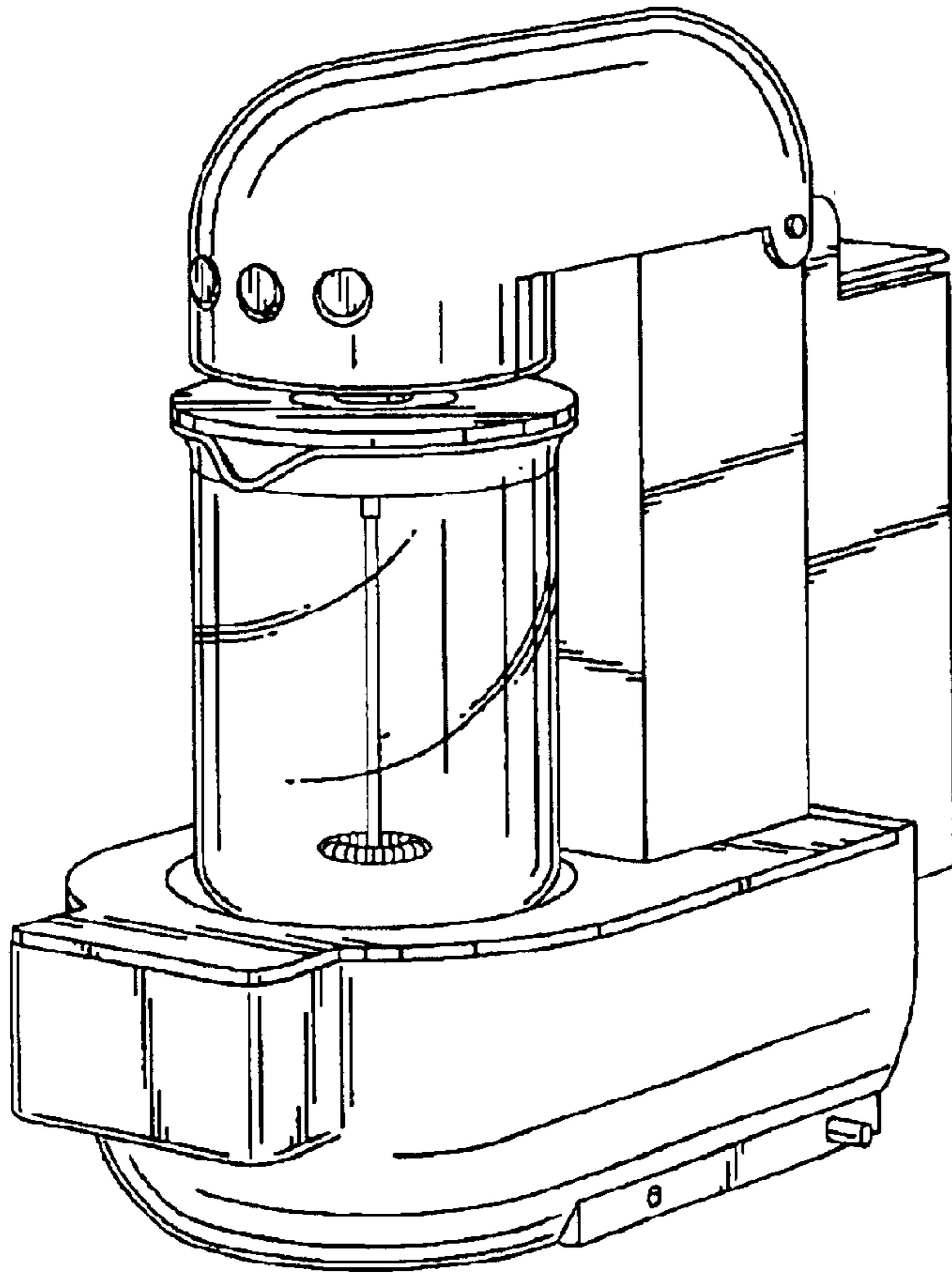


FIG. 1

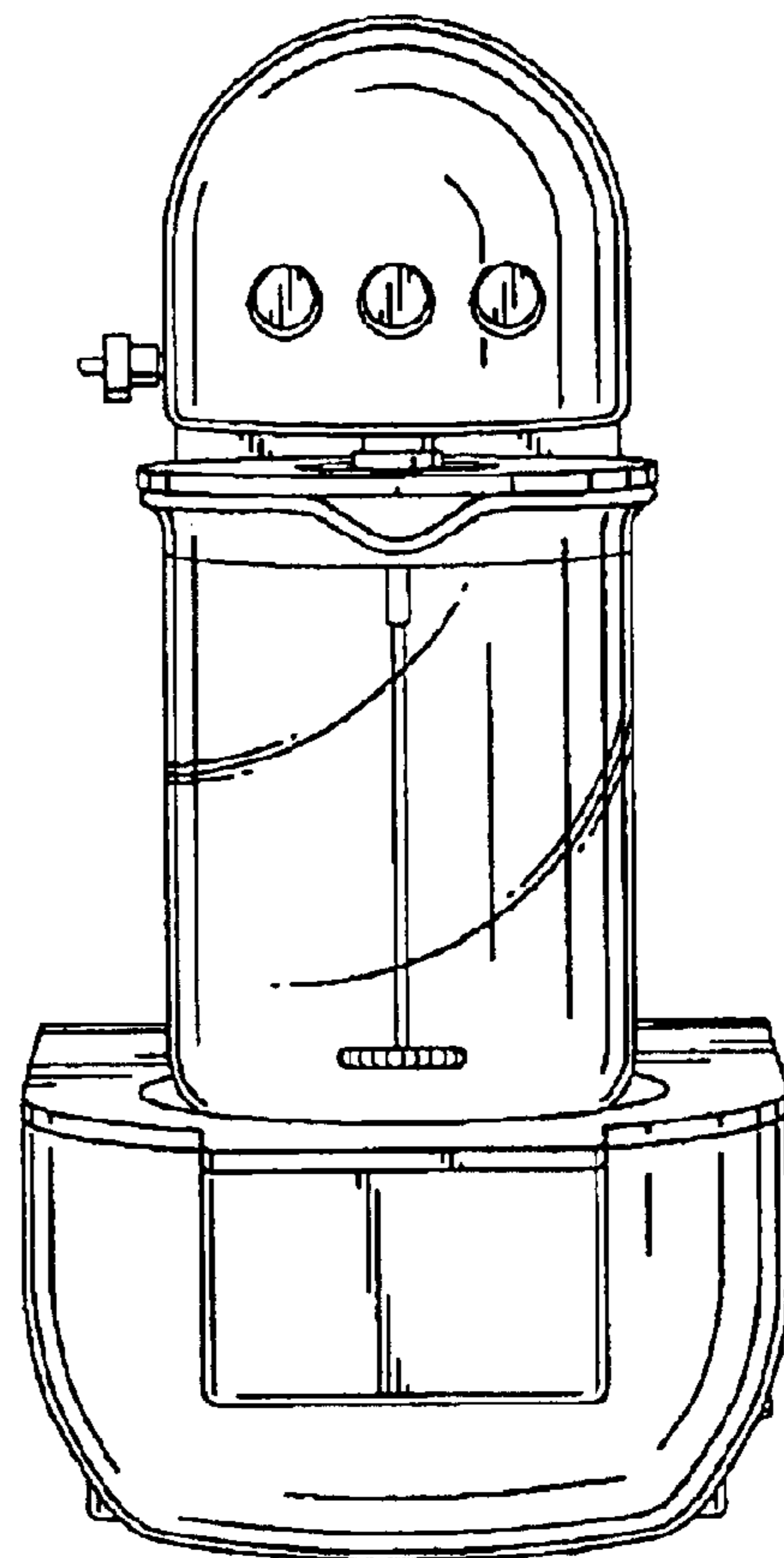


FIG. 2

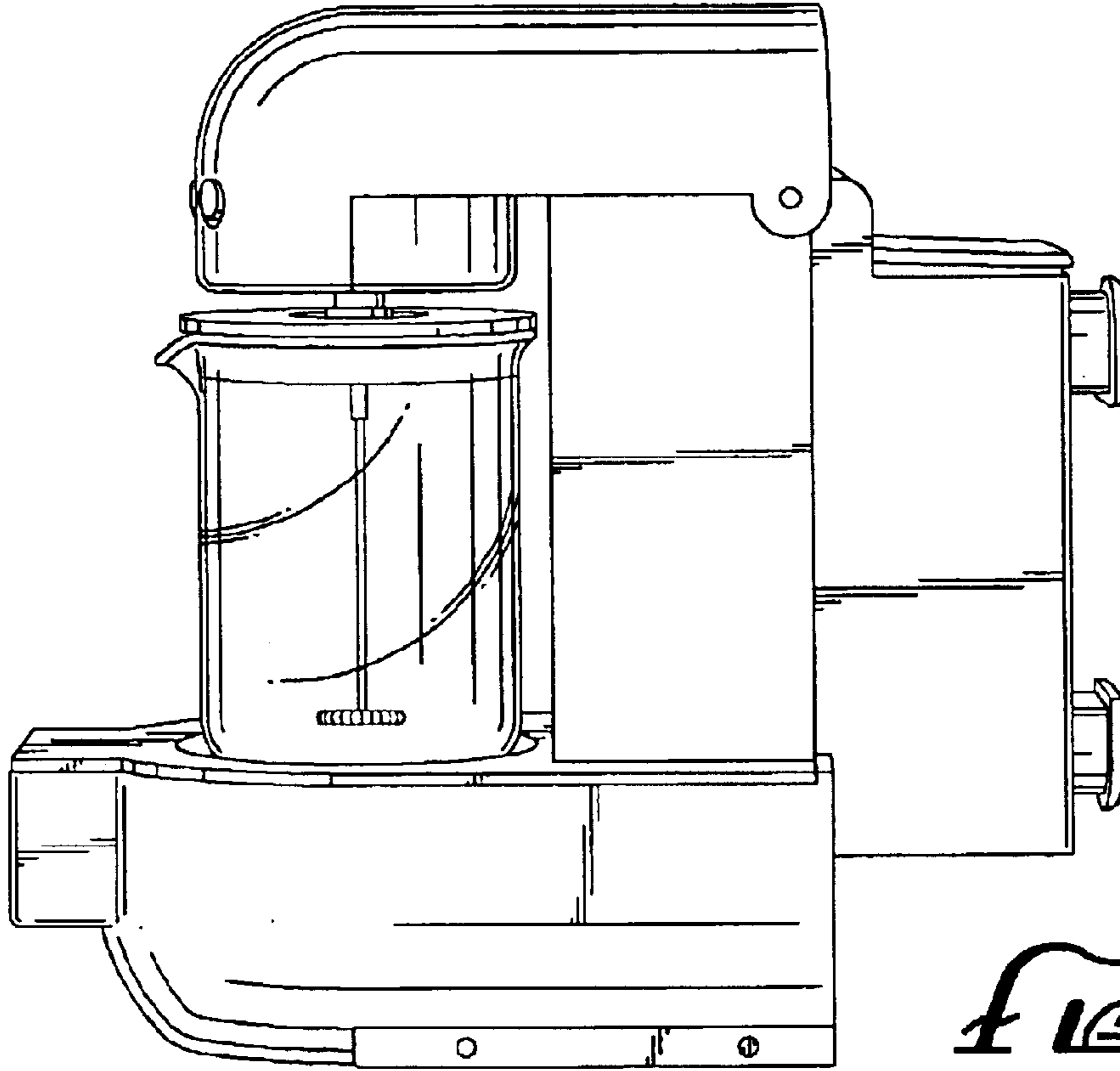


FIG. 3

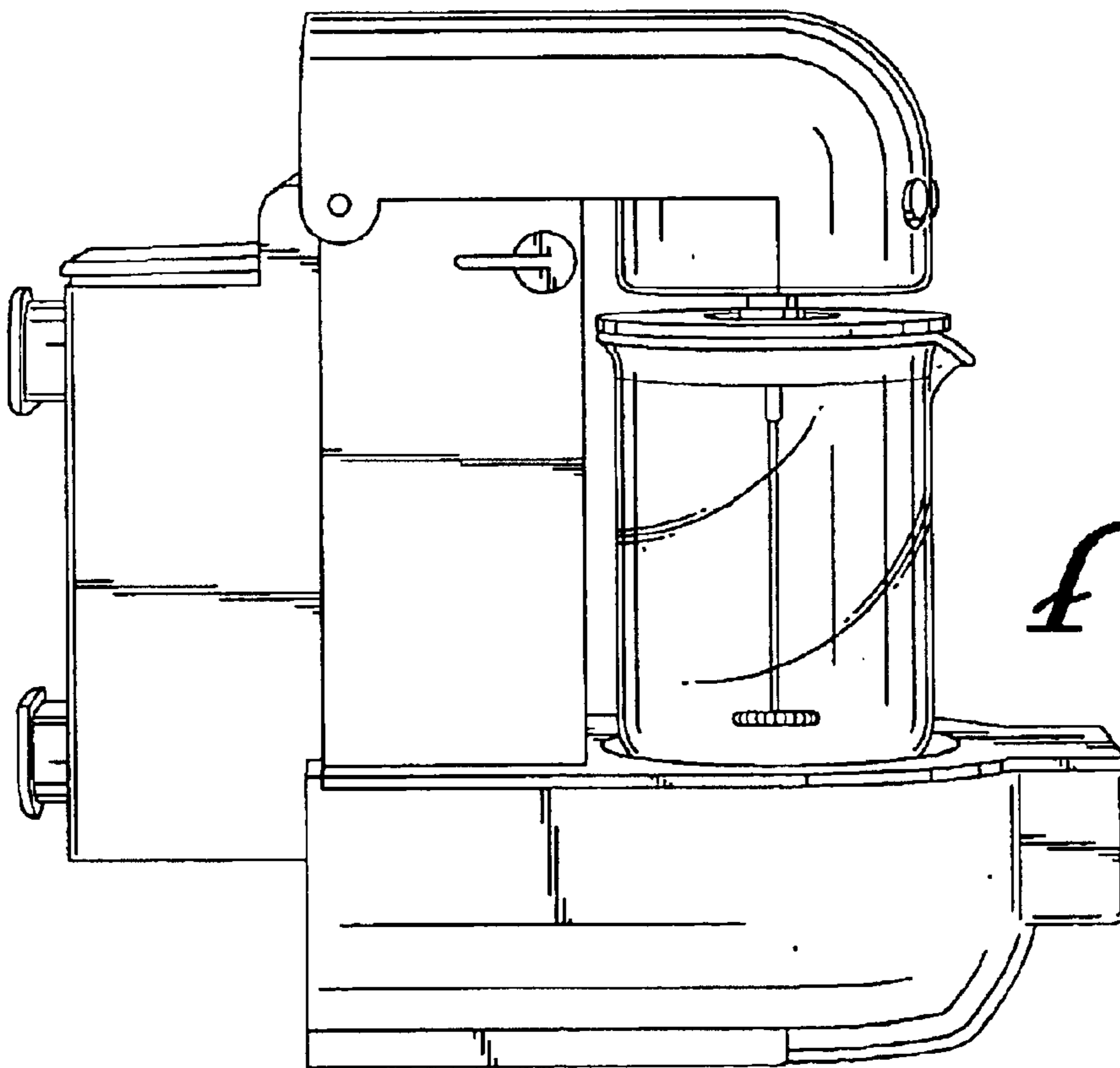


FIG. 4

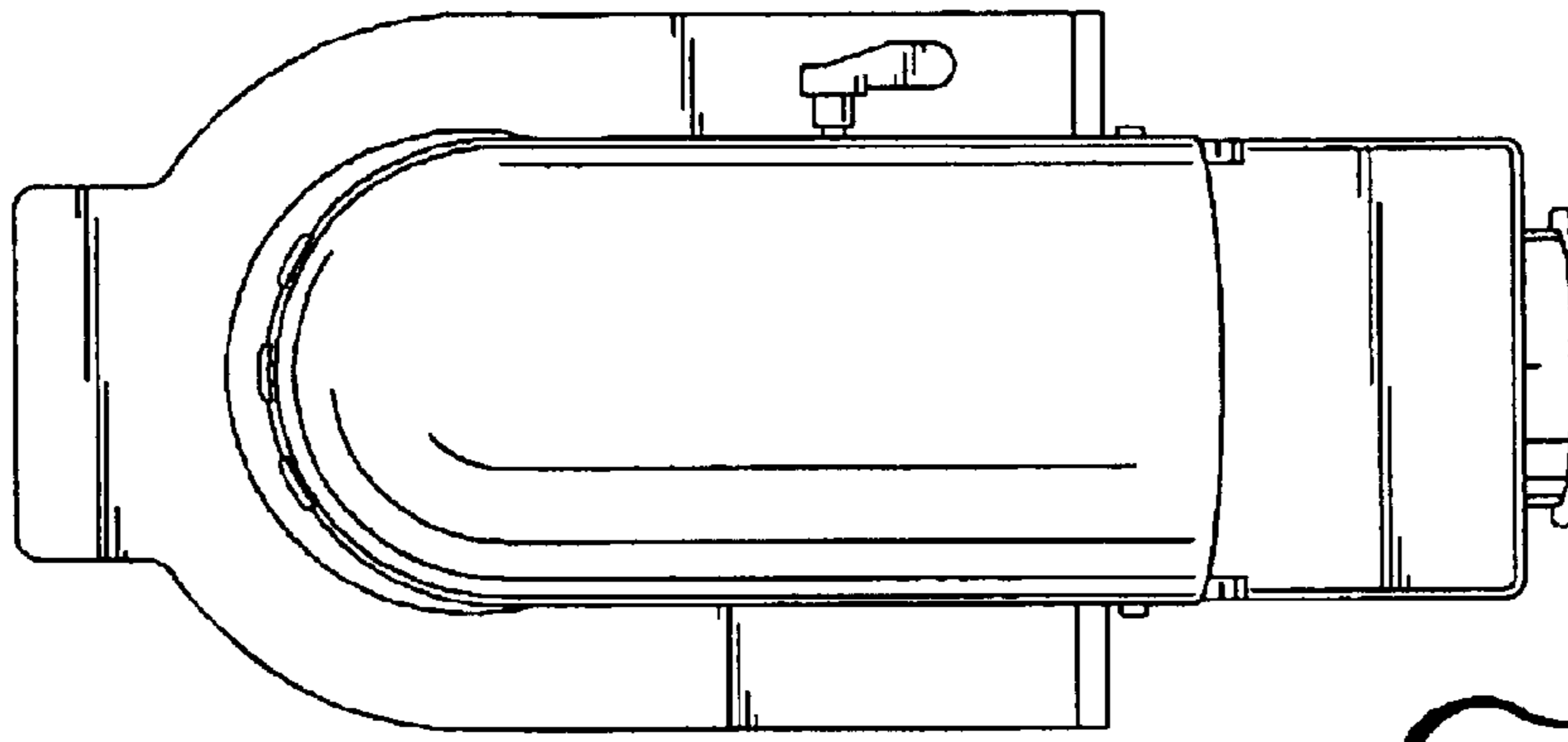


FIG. 5

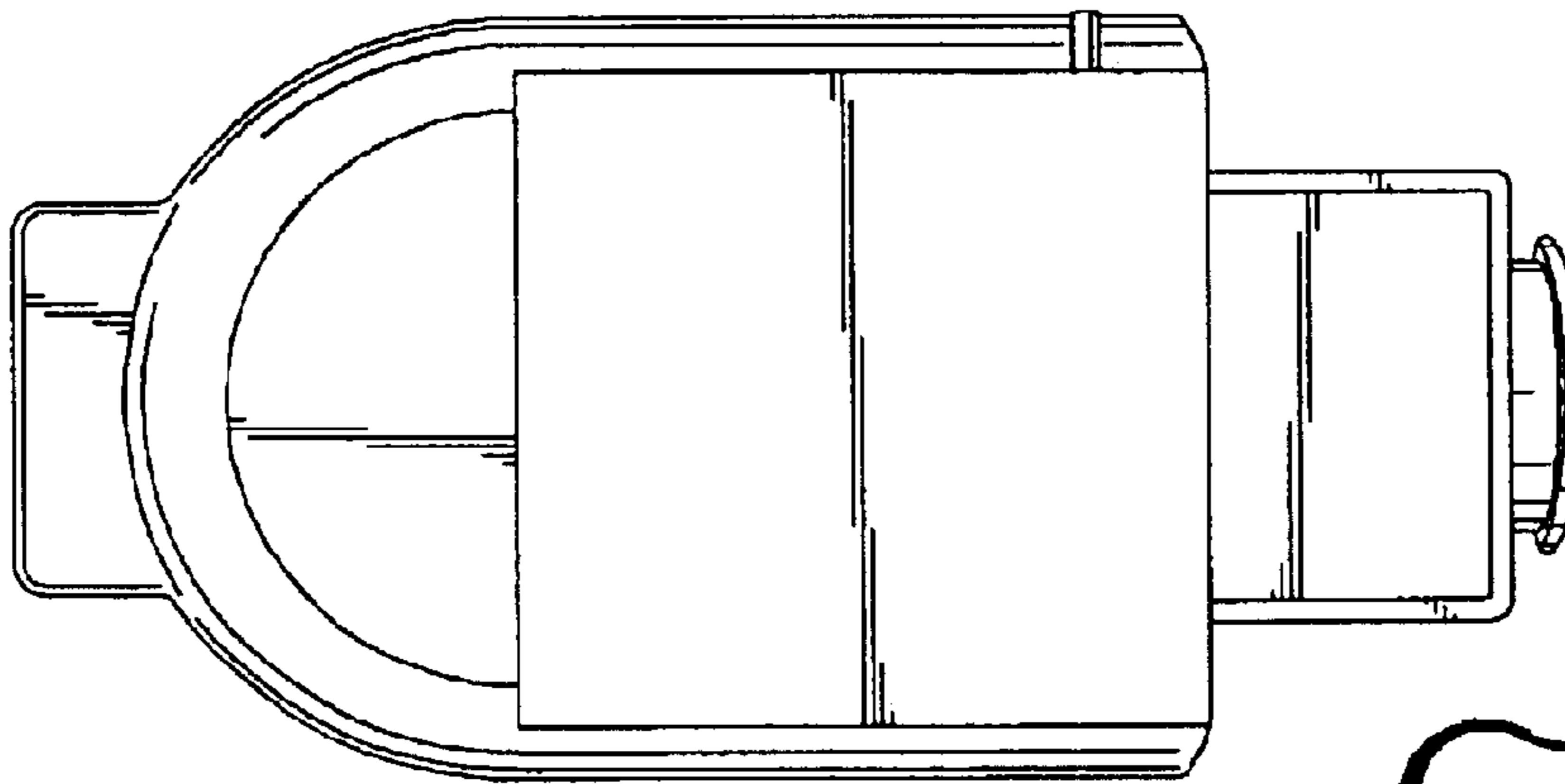


FIG. 6

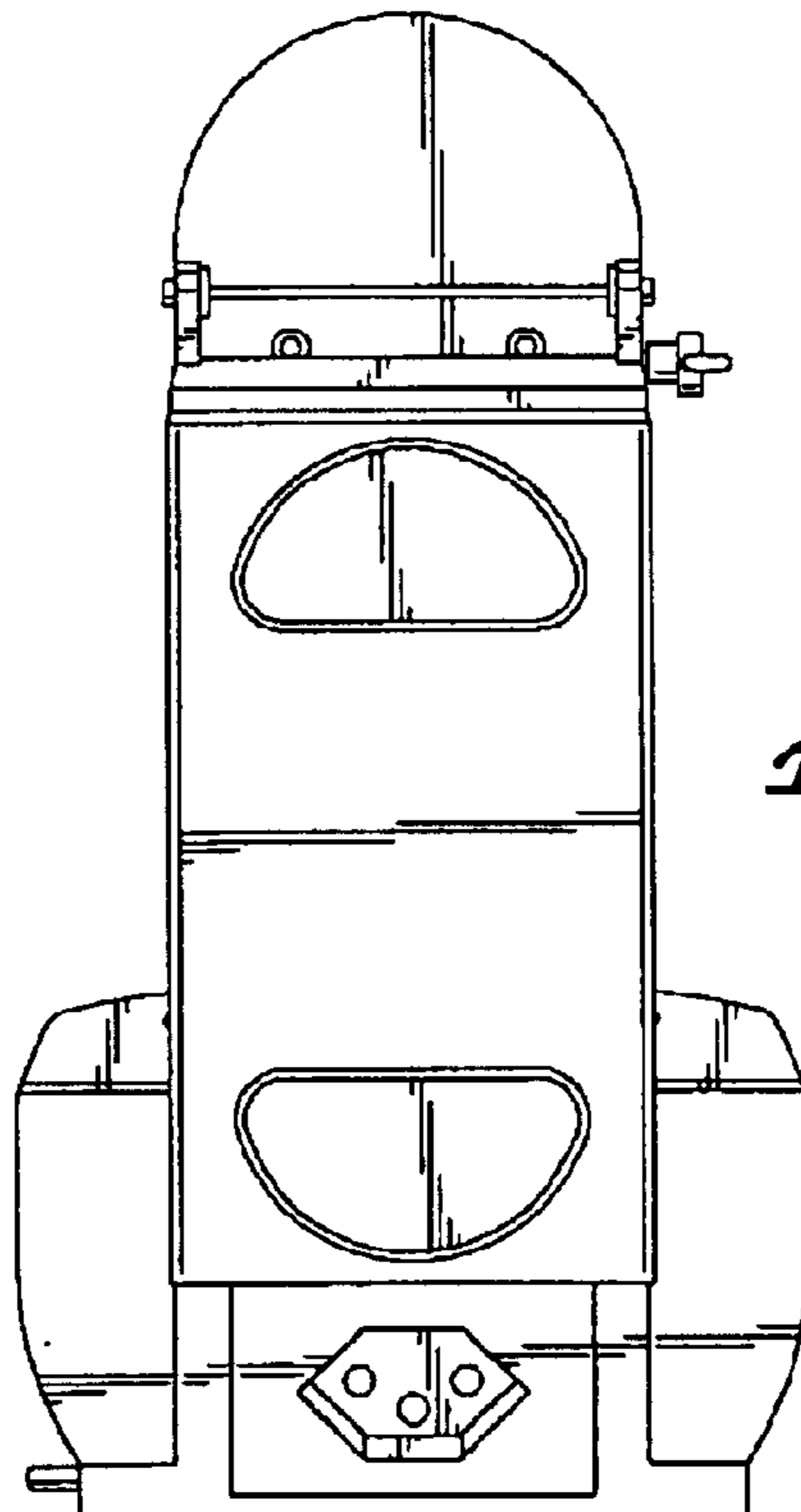


FIG. 7