



US00D499925S

(12) **United States Design Patent** (10) **Patent No.:** **US D499,925 S**  
**Kwok** (45) **Date of Patent:** **\*\* Dec. 21, 2004**

(54) **STORAGE CABINET FOR COMPACT DISCS**

(75) Inventor: **Ho Chung Kwok**, Hong Kong (CN)

(73) Assignee: **Kwok's Brother Manufacturing Limited**, Hong Kong (CN)

(\*\*) Term: **14 Years**

(21) Appl. No.: **29/199,379**

(22) Filed: **Feb. 12, 2004**

(30) **Foreign Application Priority Data**

Aug. 12, 2003 (HK) ..... 0311312

(51) **LOC (7) Cl.** ..... **06-04**

(52) **U.S. Cl.** ..... **D6/632**

(58) **Field of Search** ..... D6/629-632, 432,  
D6/446, 448; 211/40, 41.18, 87.01, 90,  
134, 186-189; 108/91, 92, 99, 115; 206/387.15,  
307.1; 312/9.9, 9.64, 9.48, 9.53

(56) **References Cited**

**U.S. PATENT DOCUMENTS**

D320,126 S	*	9/1991	Anderson et al.	.....	D6/436
D362,366 S	*	9/1995	Temple et al.	.....	D6/631
D368,604 S	*	4/1996	Gotham et al.	.....	D6/436
D379,274 S	*	5/1997	Ati et al.	.....	D6/436
D379,616 S	*	6/1997	Hellhake et al.	.....	D12/423
D380,189 S	*	6/1997	Hellhake et al.	.....	D12/424
D435,741 S	*	1/2001	Schlereth	.....	D6/446
D472,070 S	*	3/2003	de Carolis	.....	D6/441

\* cited by examiner

*Primary Examiner*—Cathron Brooks

(74) *Attorney, Agent, or Firm*—Townsend and Townsend and Crew LLP

(57) **CLAIM**

The ornamental design for a storage cabinet for compact discs, as shown and described.

**DESCRIPTION**

FIG. 1 is a perspective view of the front right side of the storage cabinet for compact discs showing my new ornamental design;

FIG. 2 is a perspective view of the rear right side thereof;

FIG. 3 is a front elevational view thereof;

FIG. 4 is a rear elevational view thereof;

FIG. 5 is a left side elevational view thereof;

FIG. 6 is a right side elevational view thereof;

FIG. 7 is a top plan view thereof;

FIG. 8 is a bottom plan view thereof;

FIG. 9 is a perspective view of the front right side of the storage cabinet of FIG. 1 in an open display position;

FIG. 10 is a front elevational view of the storage cabinet of FIG. 9;

FIG. 11 is a rear elevational view of the storage cabinet of FIG. 9;

FIG. 12 is a left side elevational view of the storage cabinet of FIG. 9;

FIG. 13 is a right side elevational view of the storage cabinet of FIG. 9;

FIG. 14 is a top plan view of the storage cabinet of FIG. 9;

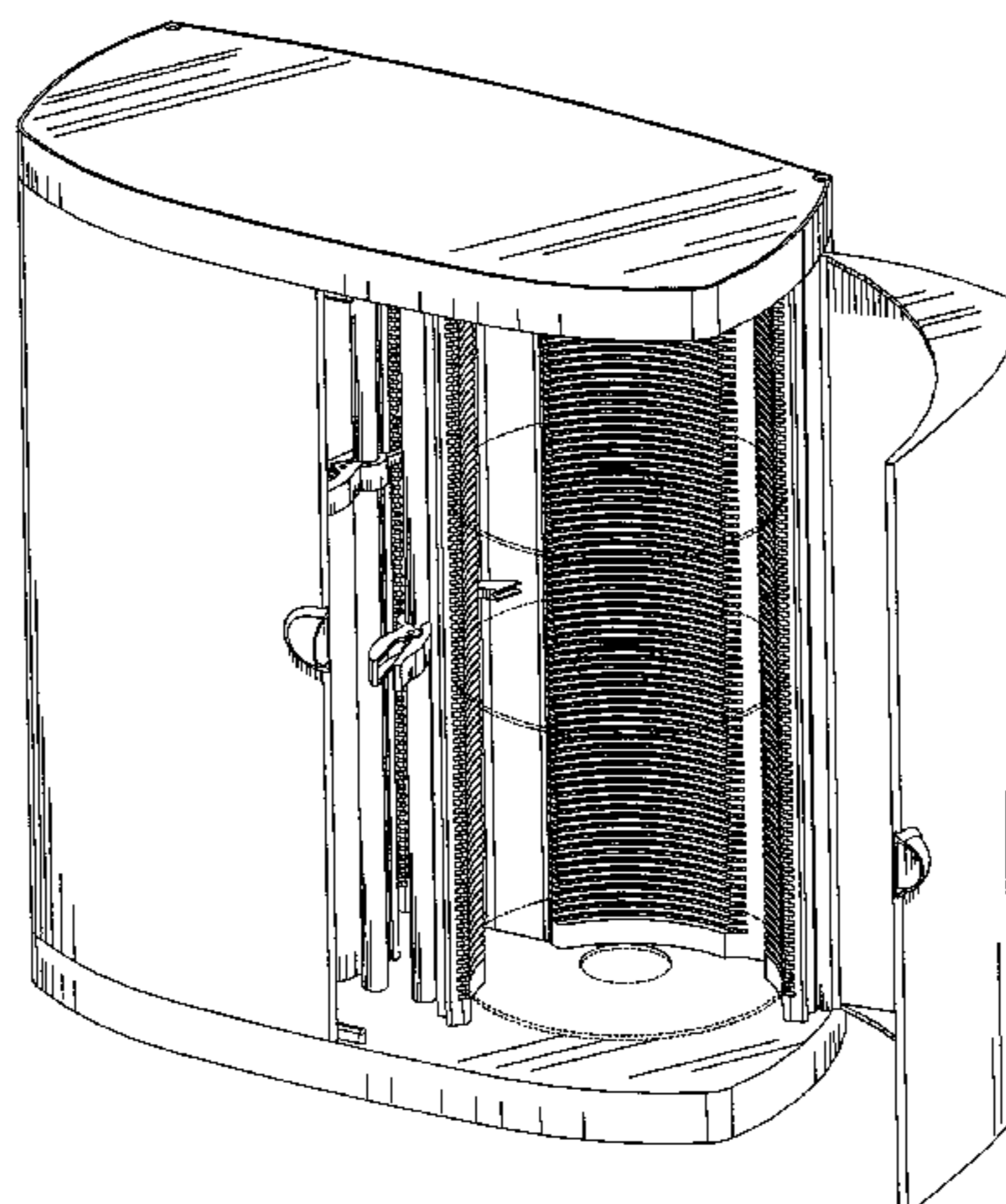
FIG. 15 is a bottom plan view of the storage cabinet of FIG. 9;

FIG. 16 is a perspective view of the storage cabinet of FIG. 1 in an open display position displaying a number of compact discs stored therein (the compact discs shown being for illustration purposes only); and,

FIG. 17 is a perspective view of the storage cabinet of FIG. 1 in a half open display position displaying a number of compact discs stored therein (the compact discs shown being for illustration purposes only).

The broken line showing of compact discs forms no part of the claimed design.

**1 Claim, 17 Drawing Sheets**



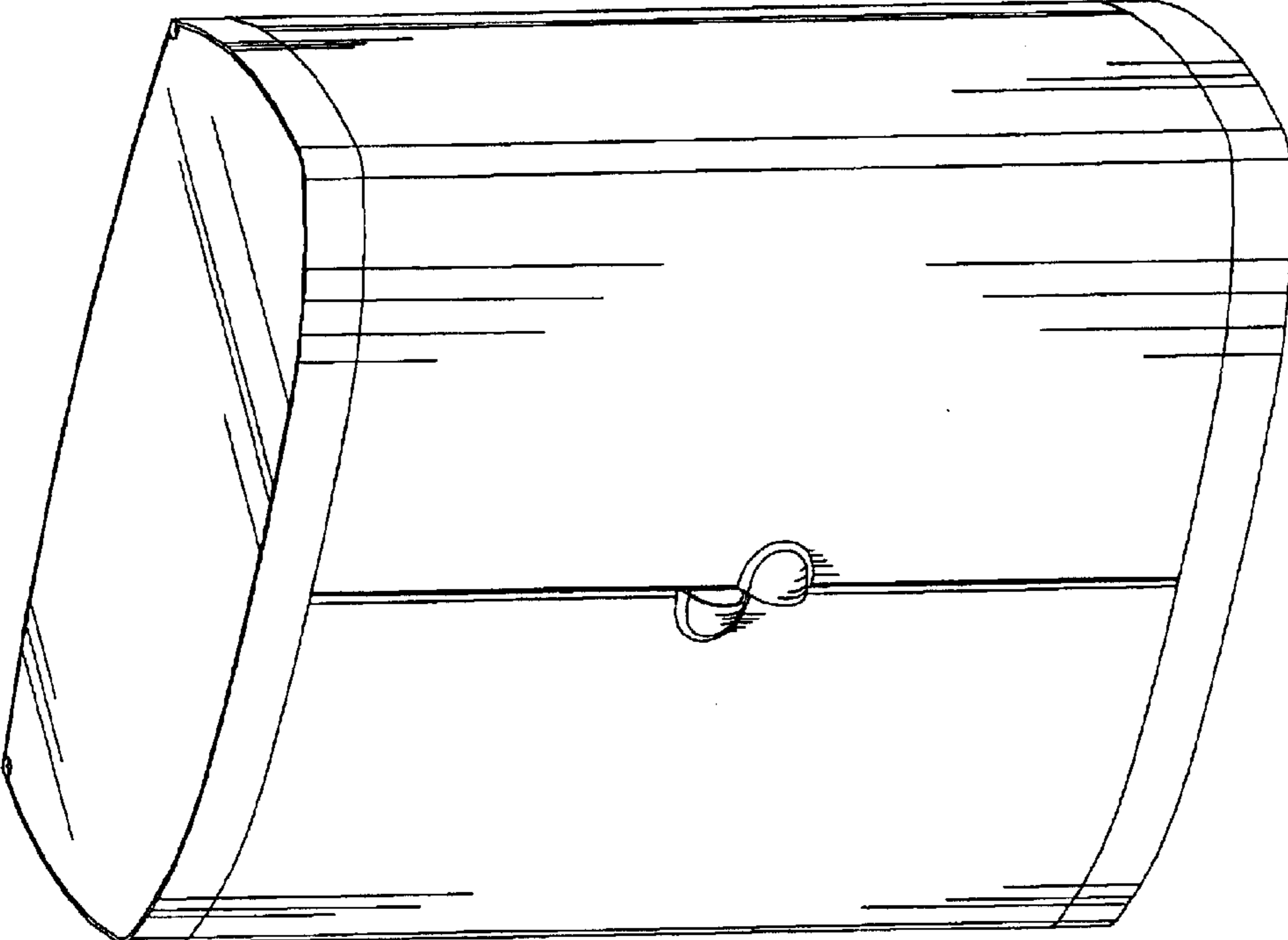


Fig. 1

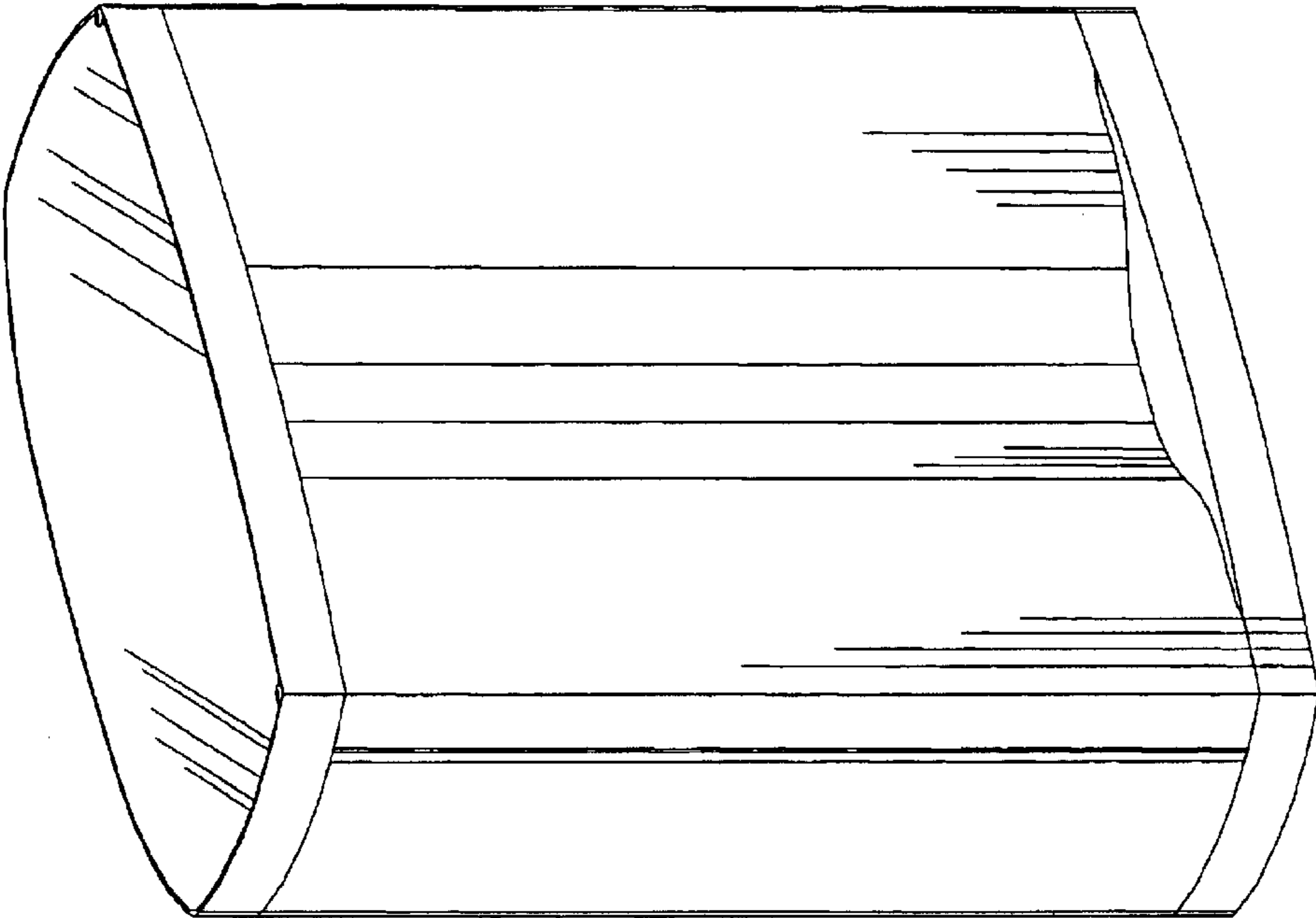


Fig.2

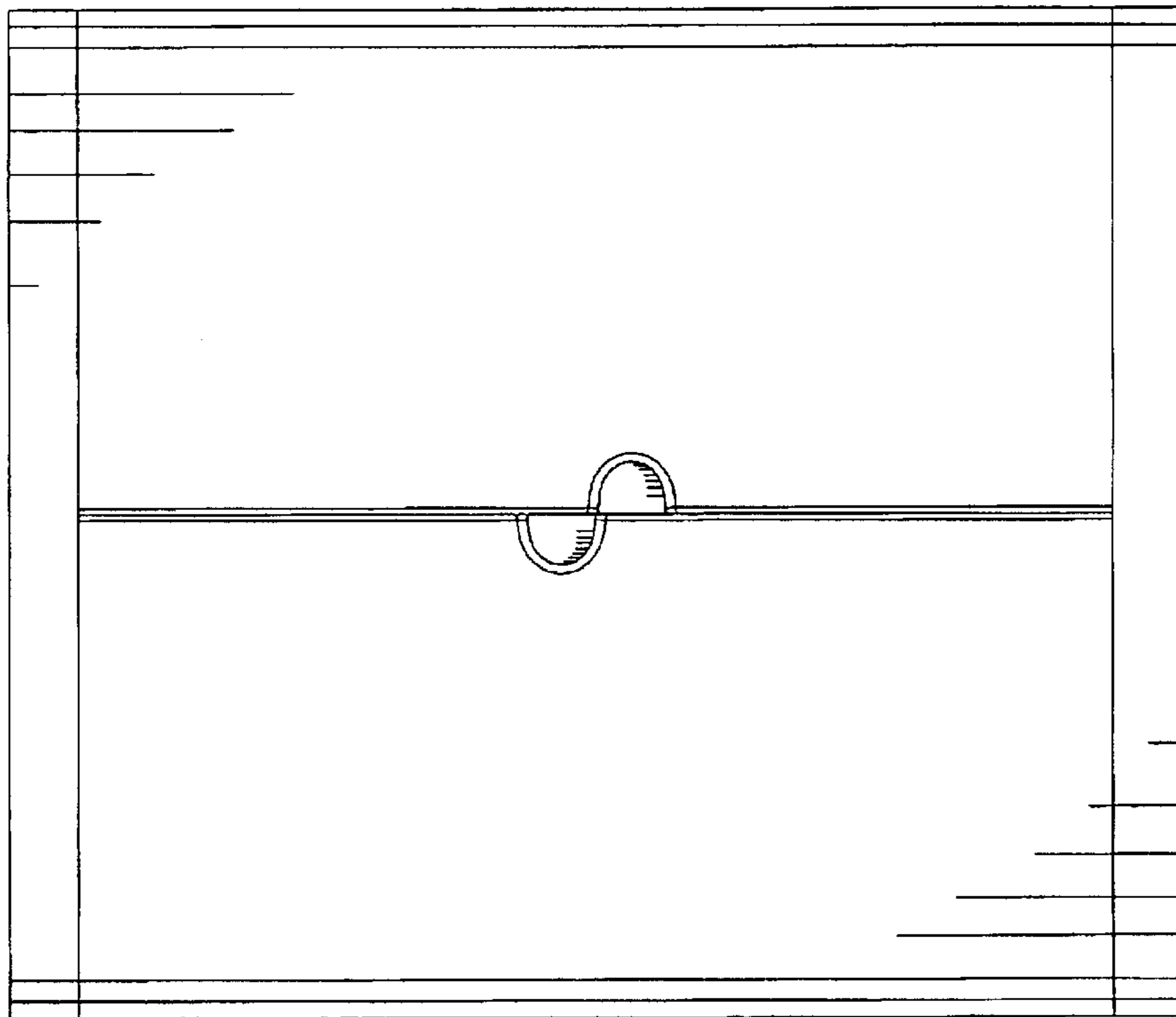


Fig. 3

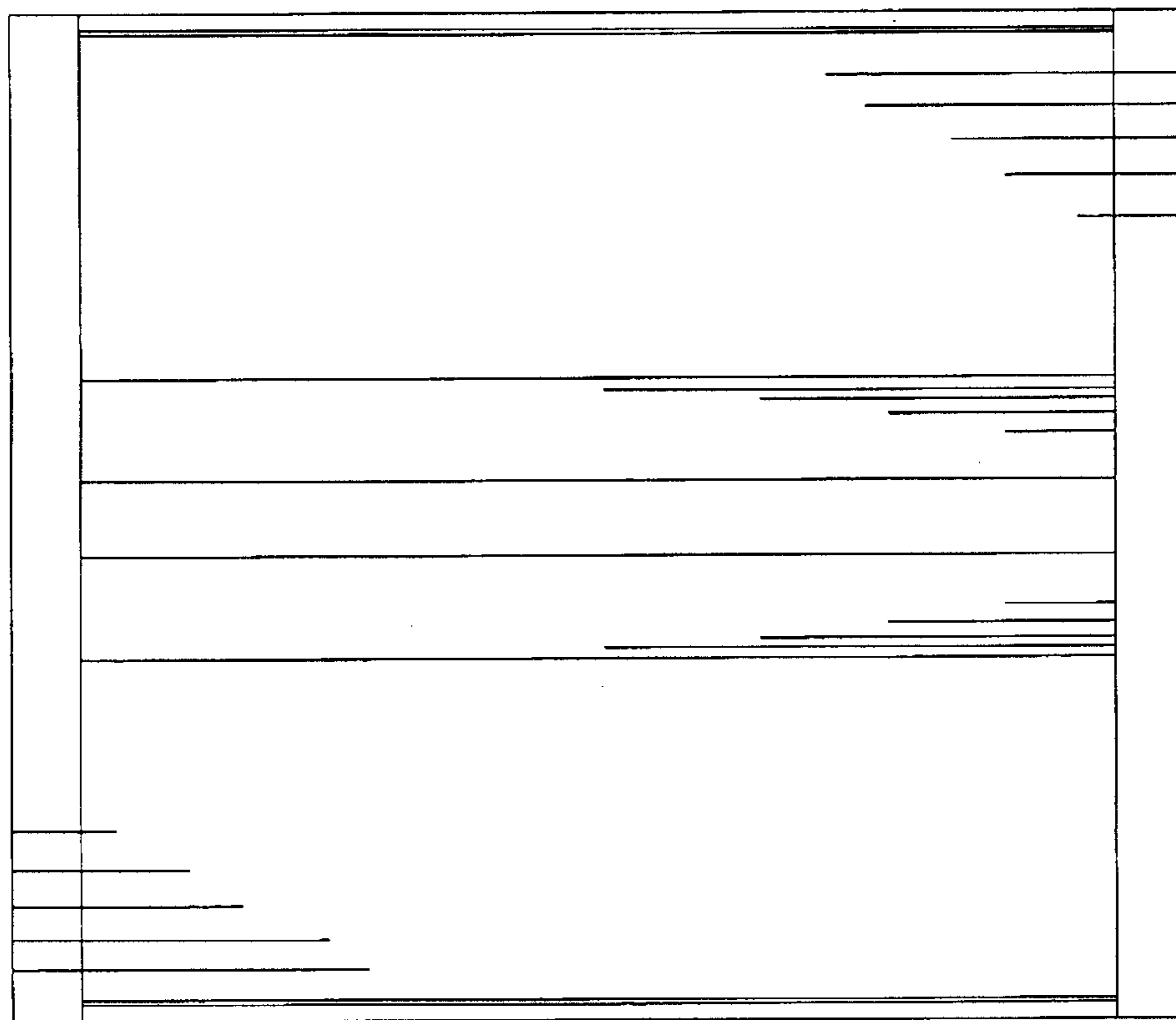


Fig. 4

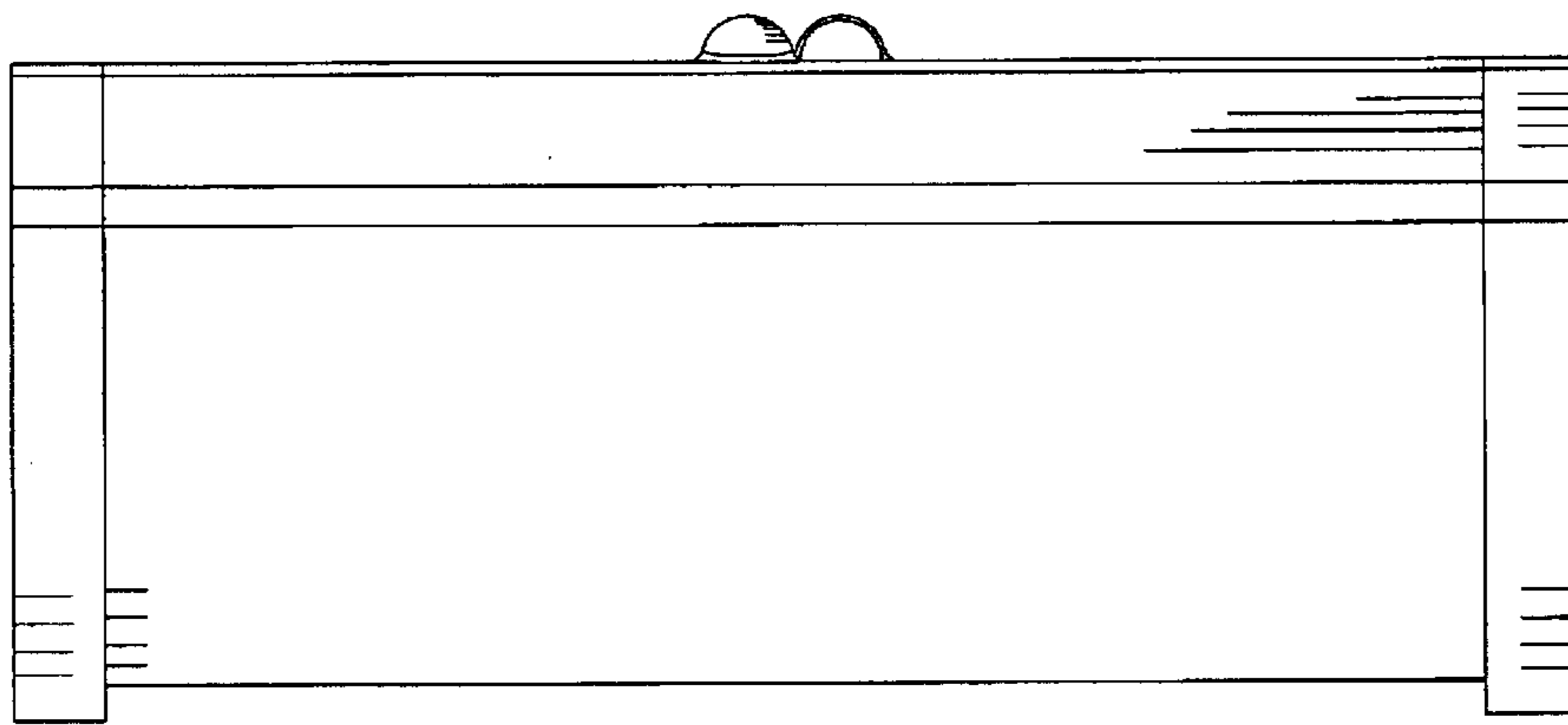


Fig. 5

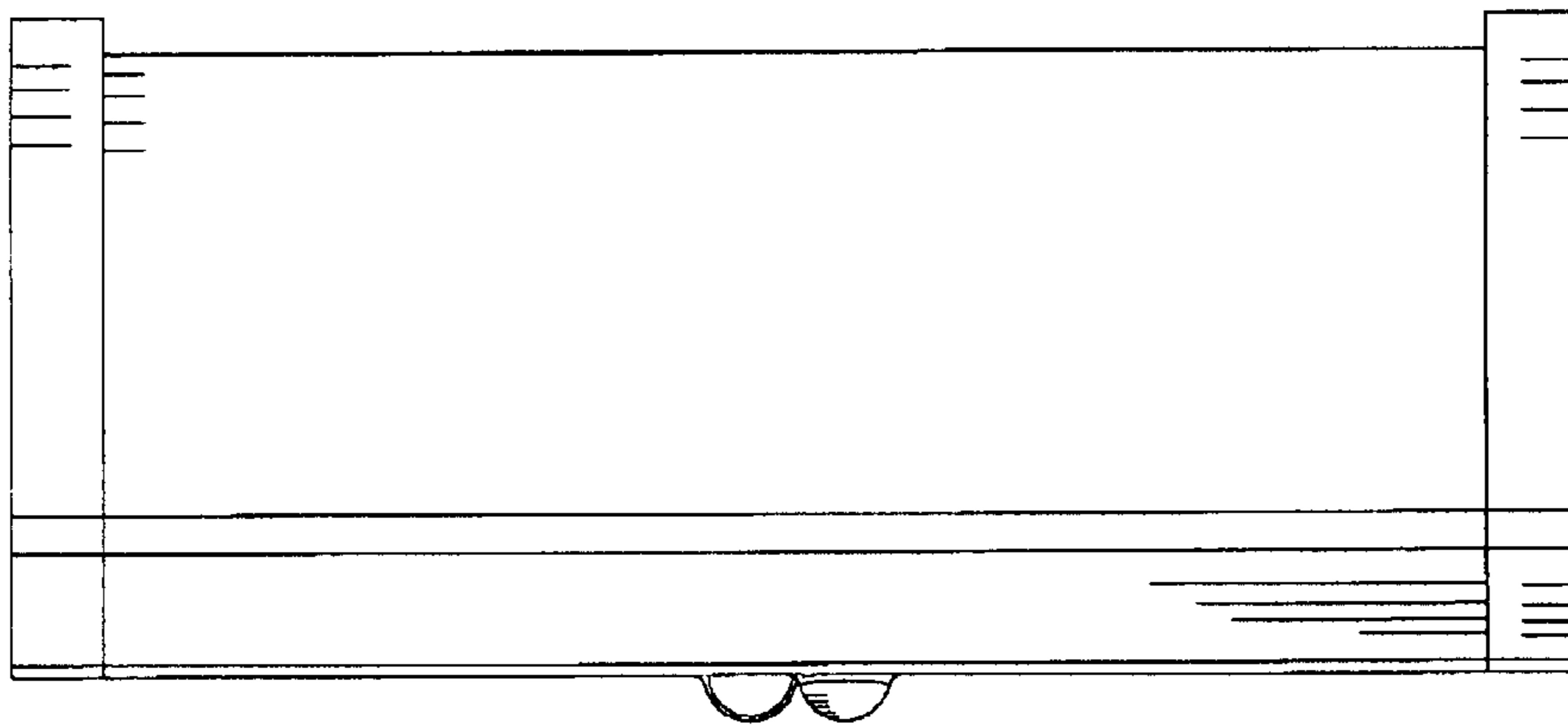


Fig. 6

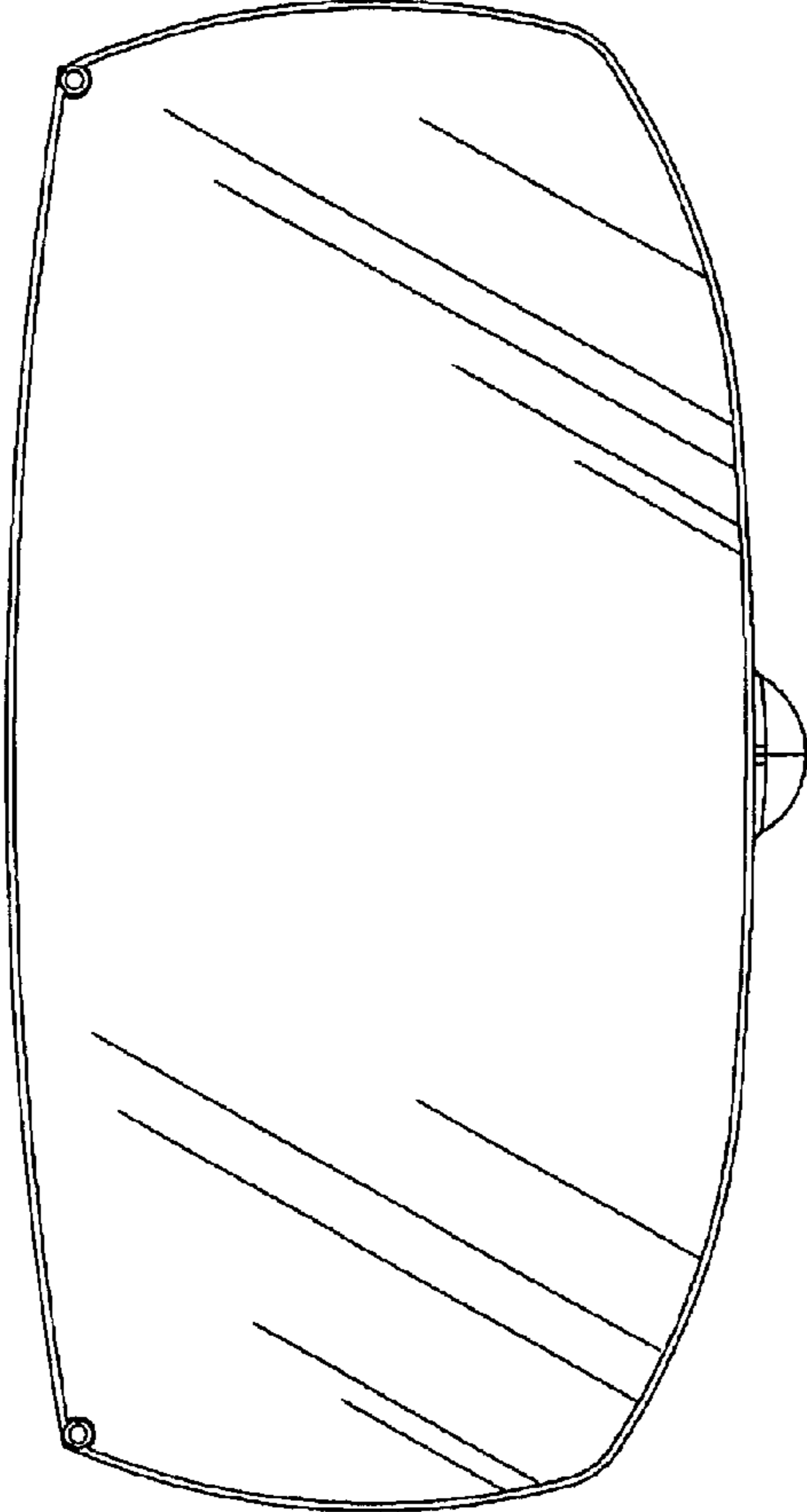


Fig.7



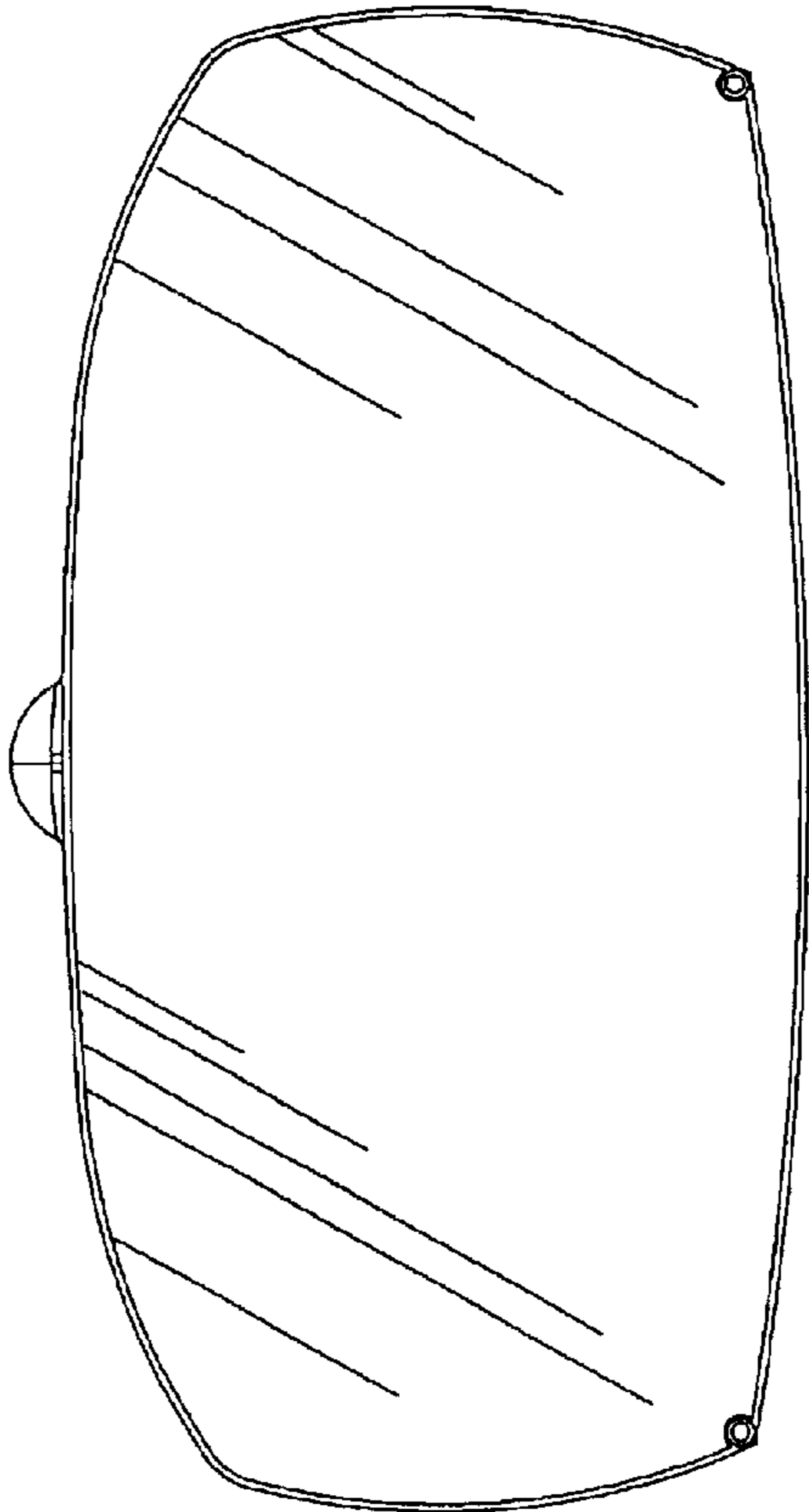


Fig. 8

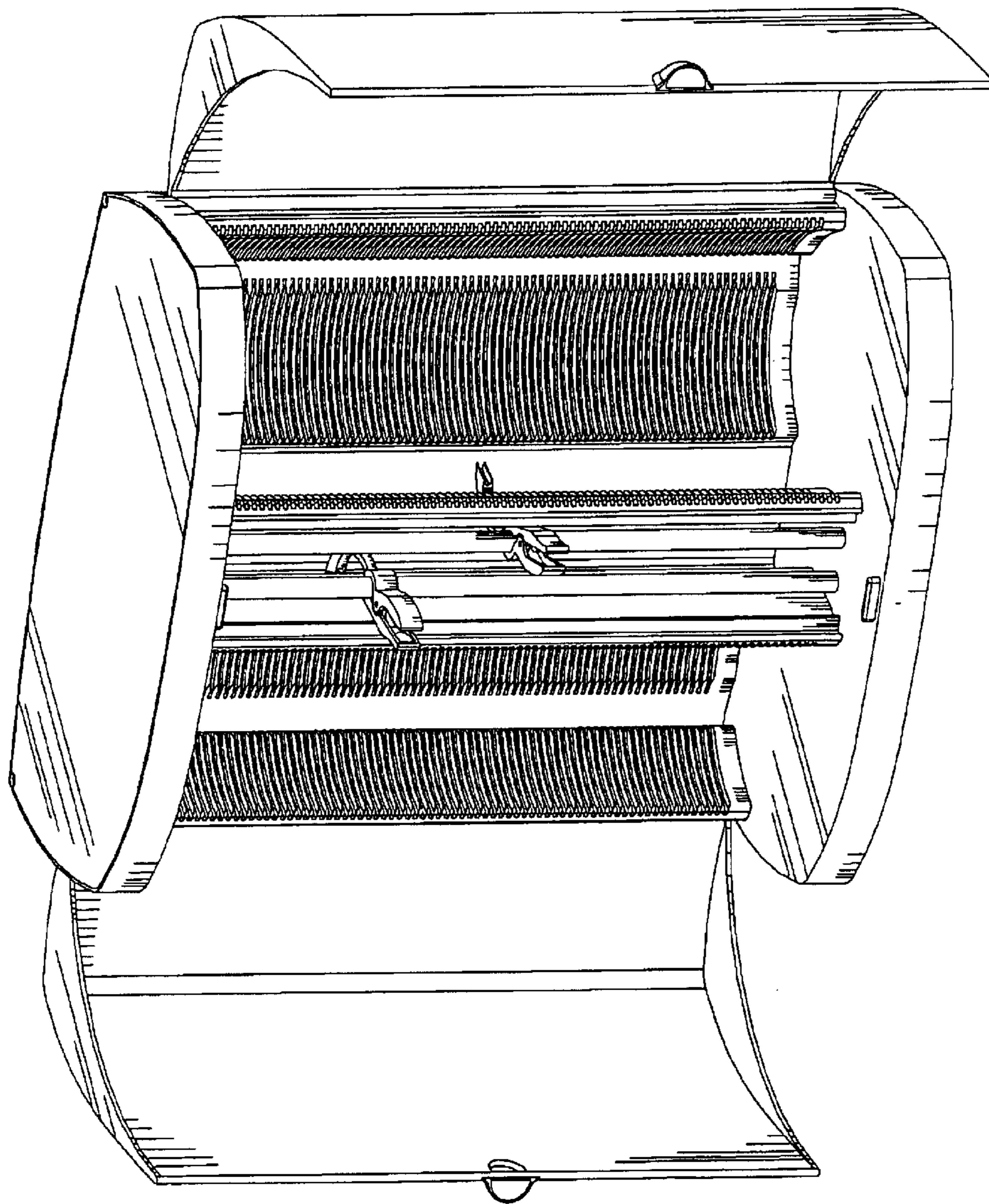


Fig. 9

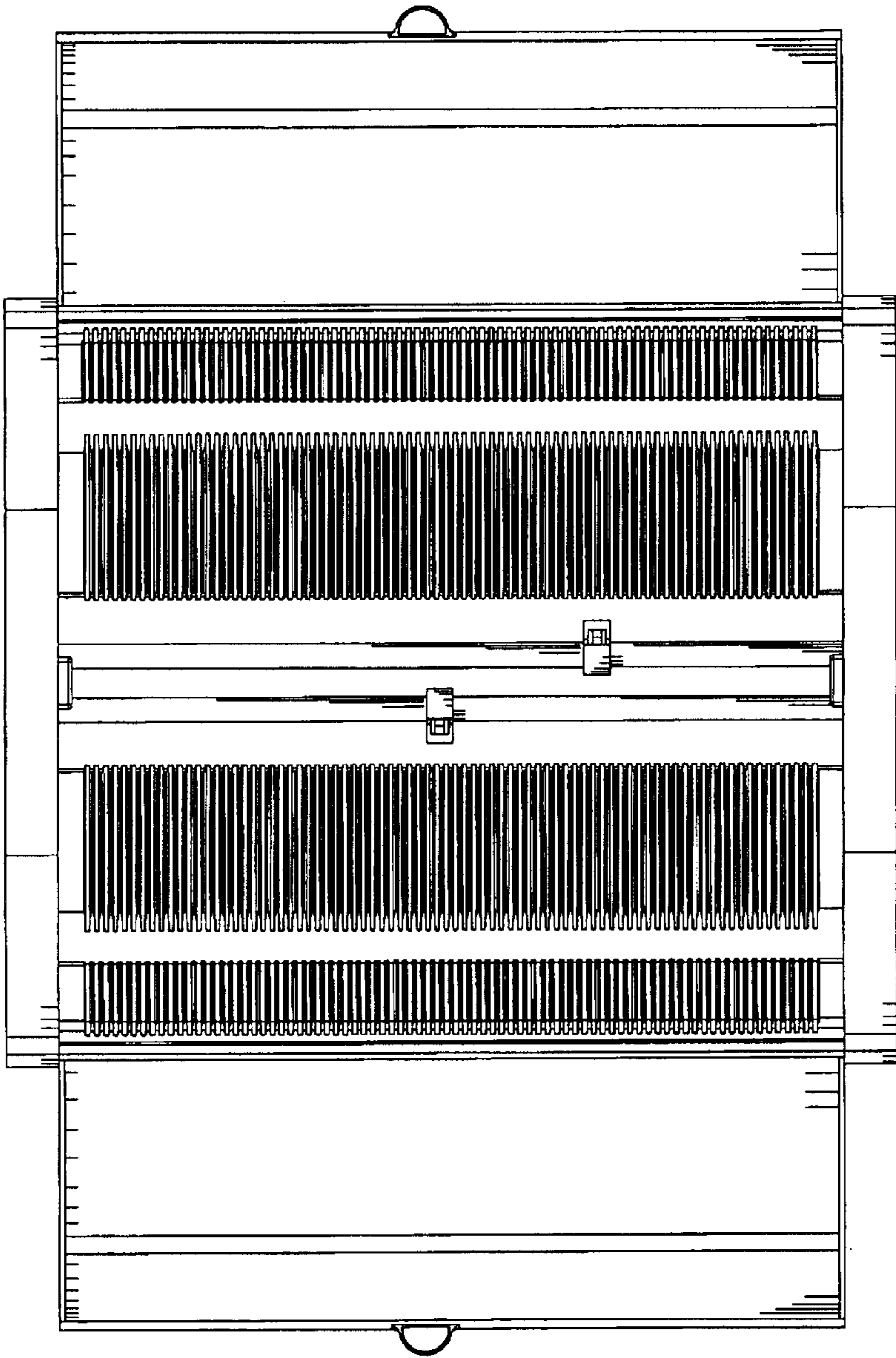


Fig. 10

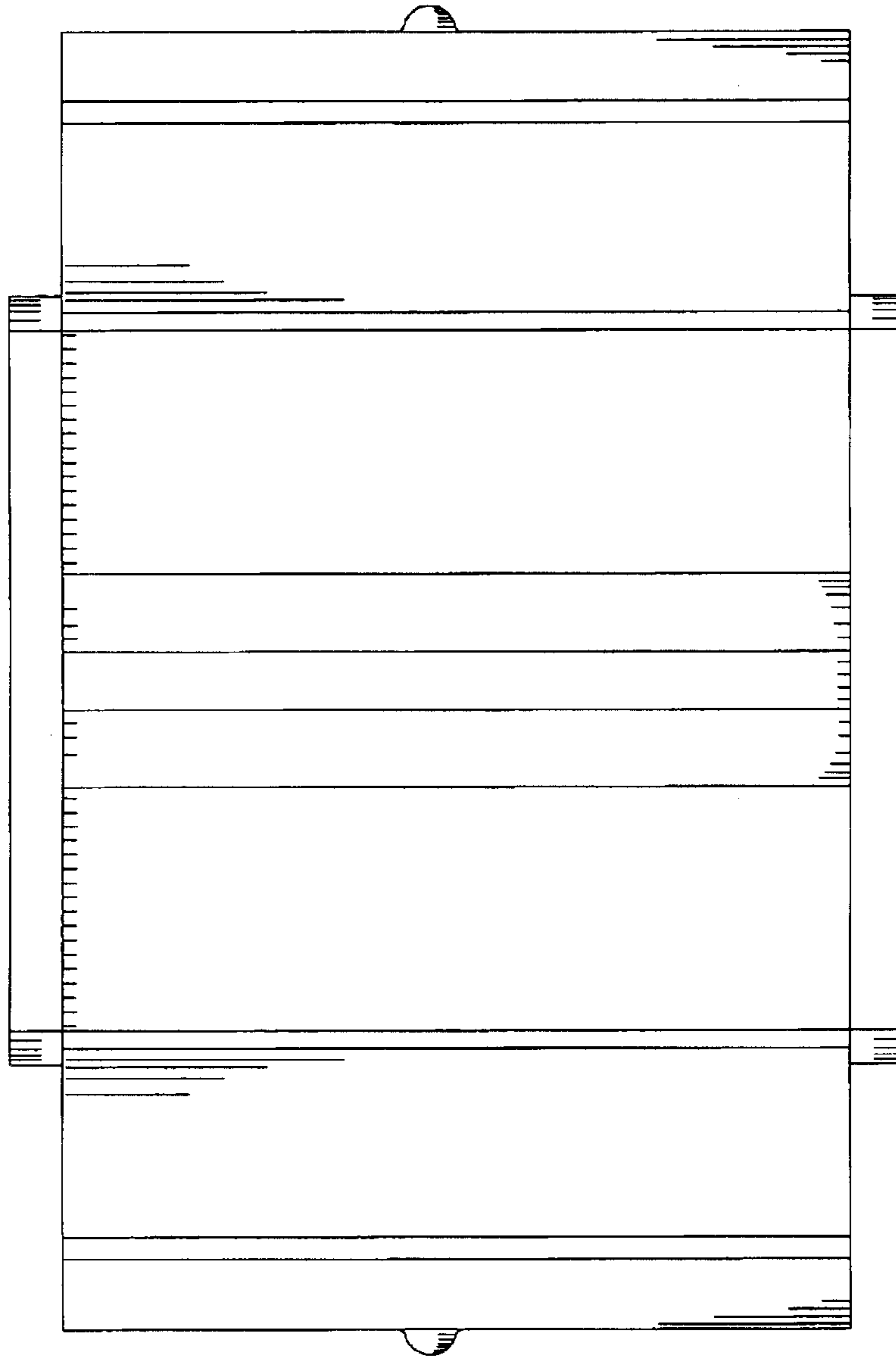


Fig. 11

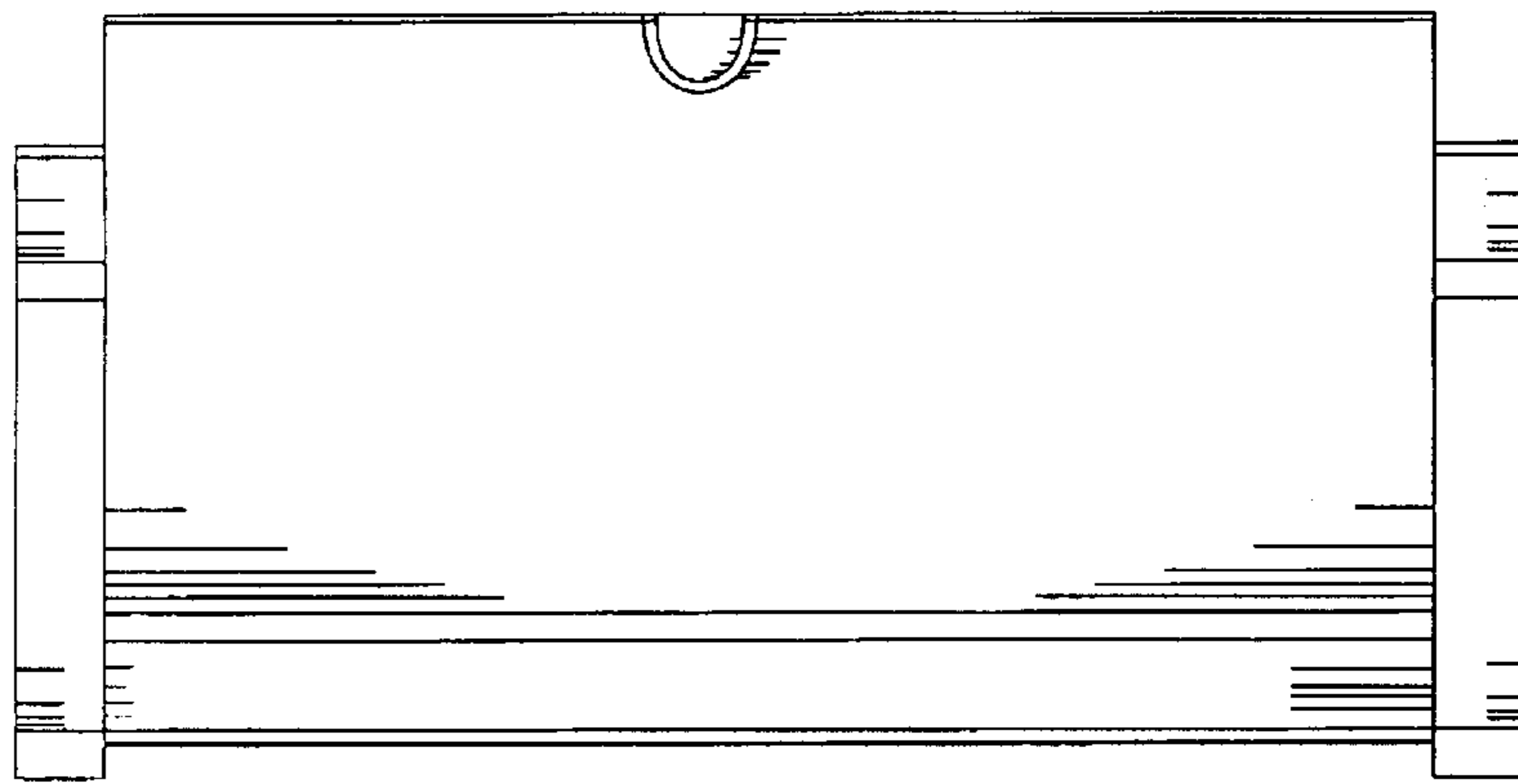


Fig. 12

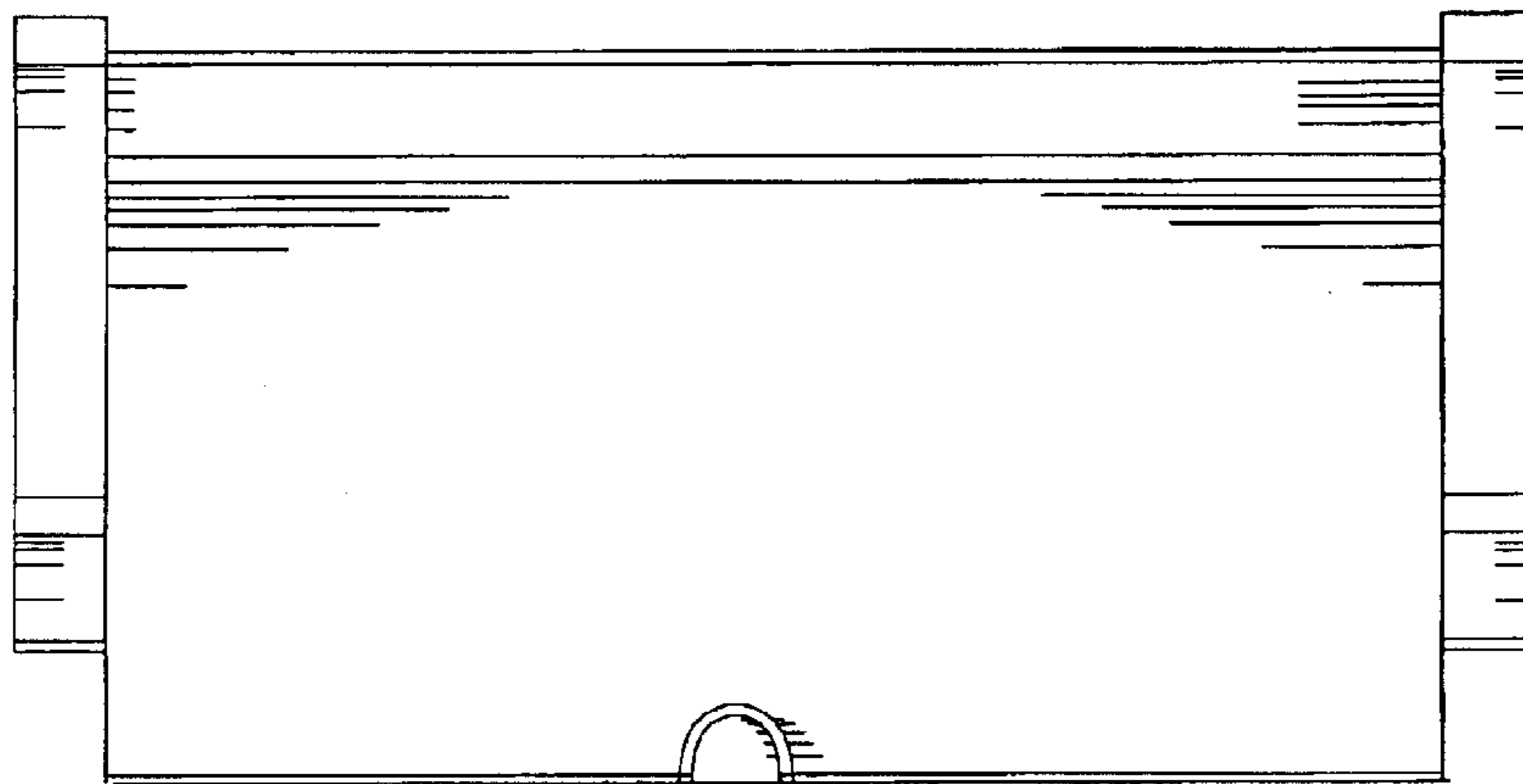


Fig. 13

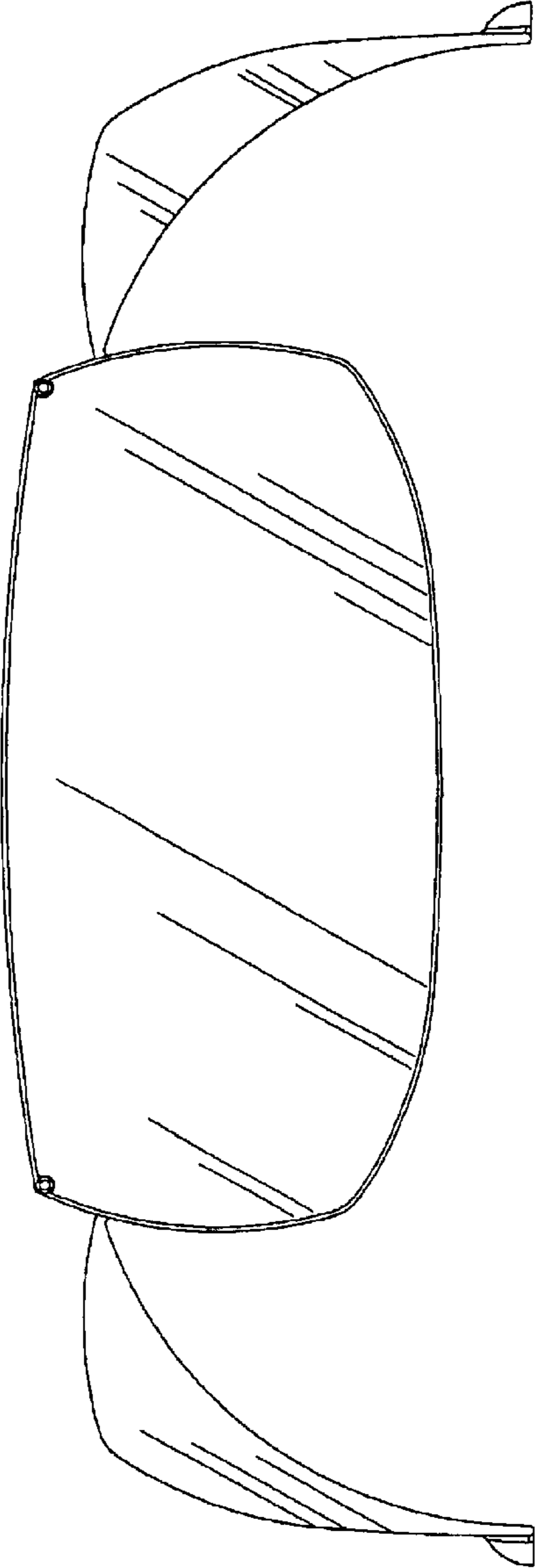


Fig. 14

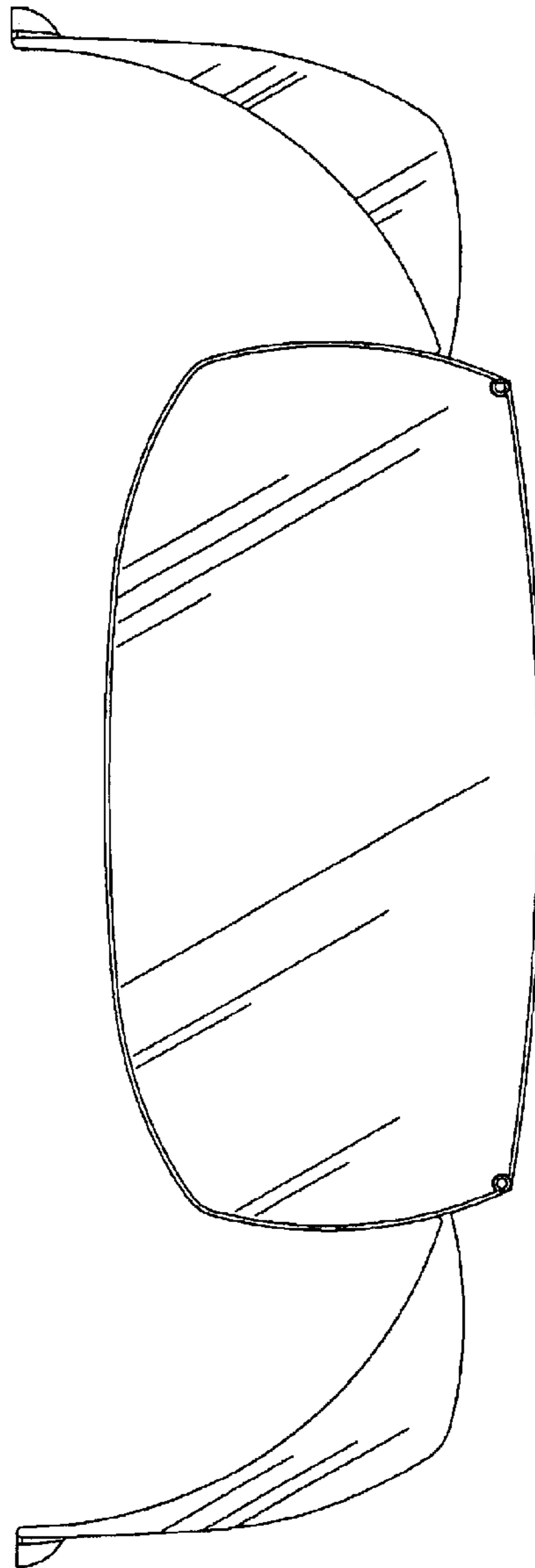


Fig. 15



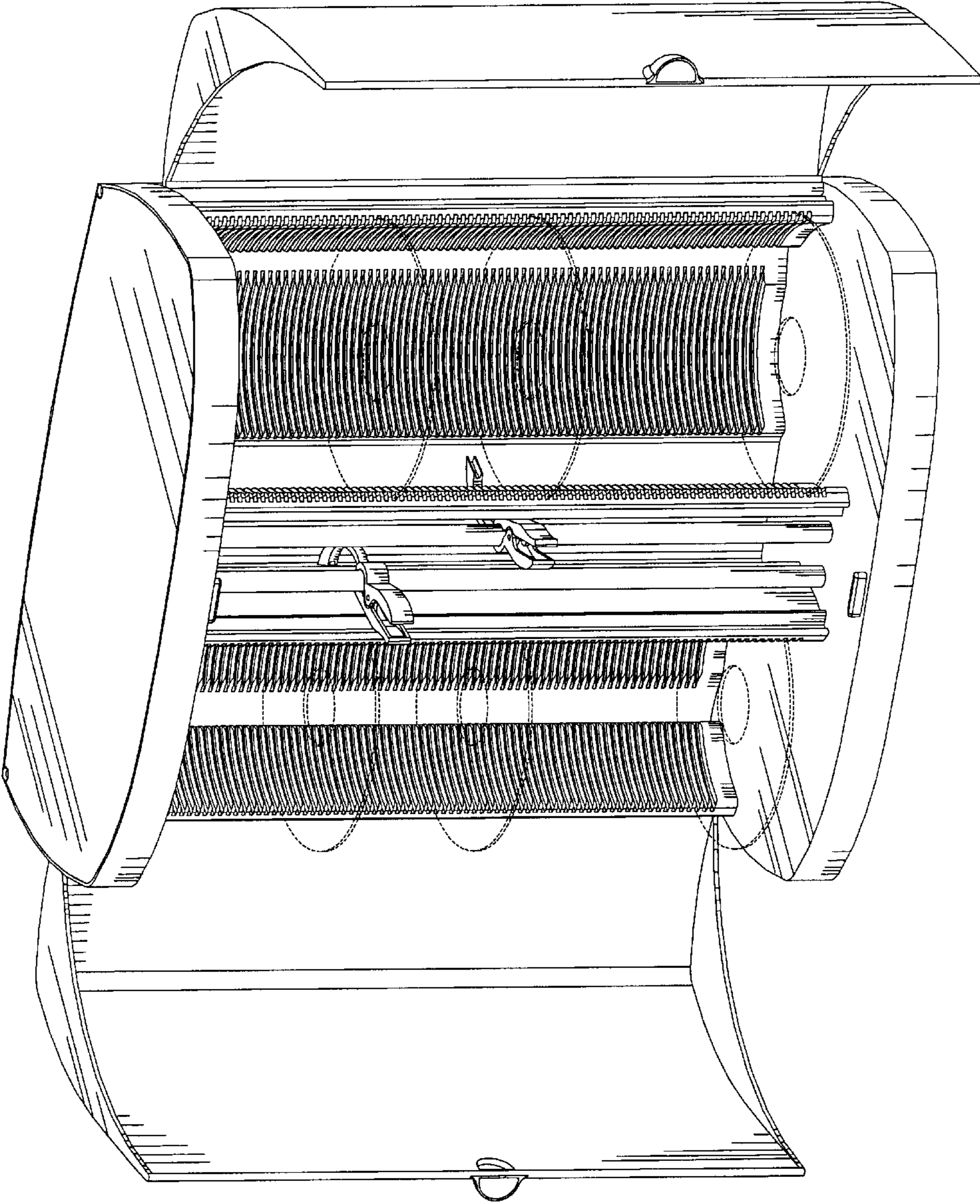


Fig. 16

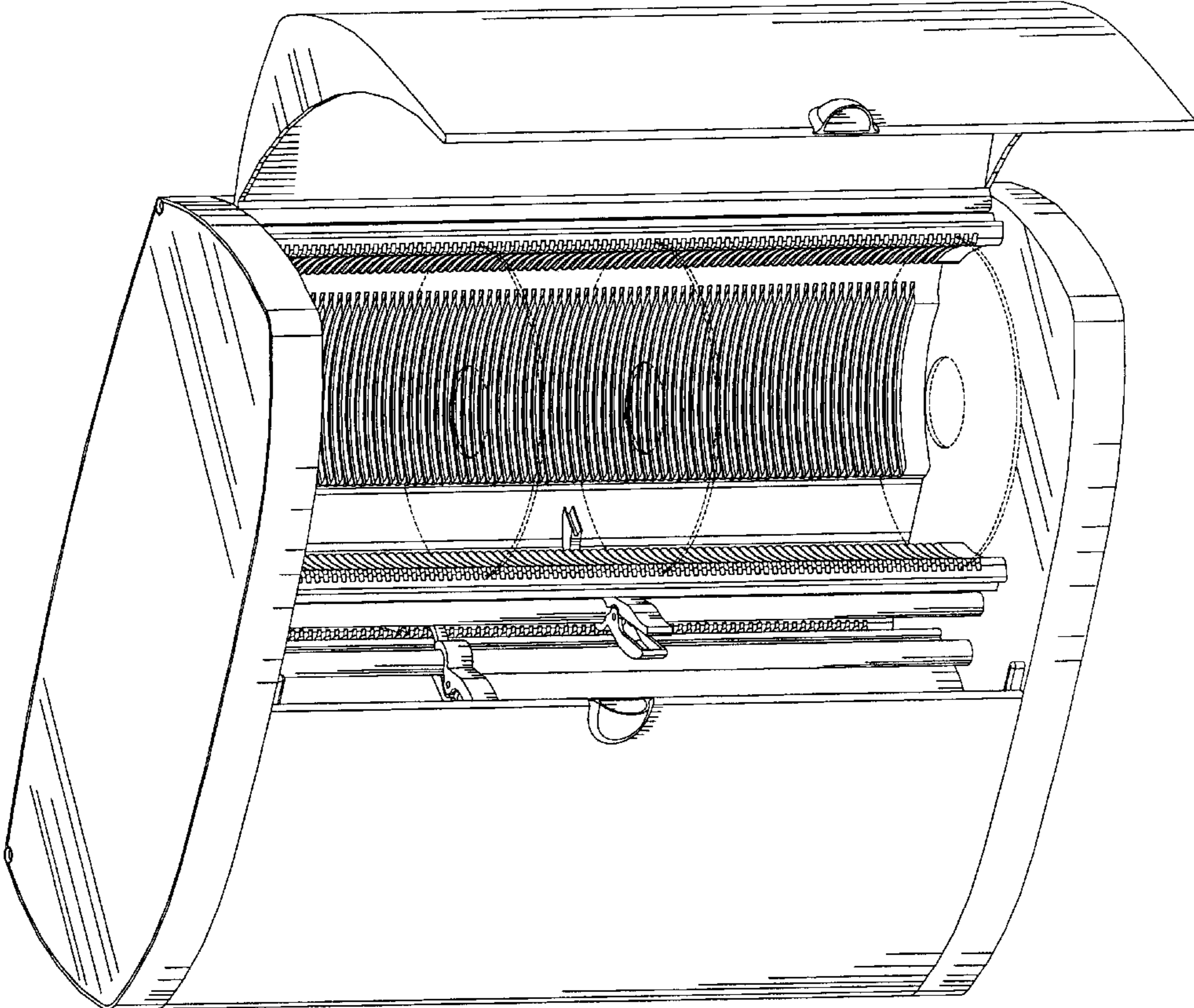


Fig.17