



US00D499923S

(12) **United States Design Patent**  
**Aquilina et al.**

(10) **Patent No.:** **US D499,923 S**

(45) **Date of Patent:** **\*\* Dec. 21, 2004**

(54) **WINDOW SHADE FRAME**

D353,737 S \* 12/1994 Bussert ..... D6/575  
D389,690 S \* 1/1998 Denson ..... D6/575

(76) Inventors: **Christine M. Aquilina**, 16925 Mist Moor La., Spring Hill, FL (US) 34610;  
**Philip Aquilina**, 16925 Mist Moor La., Spring Hill, FL (US) 34610

\* cited by examiner

*Primary Examiner*—Holly Baynham

(\*\*) **Term:** **14 Years**

(57) **CLAIM**

The ornamental design for a window shade frame, as shown and described.

(21) **Appl. No.:** **29/200,008**

(22) **Filed:** **Feb. 24, 2004**

**DESCRIPTION**

(51) **LOC (7) Cl.** ..... **06-10**

FIG. 1 is a front view of a window shade frame showing my new design.

(52) **U.S. Cl.** ..... **D6/579**

FIG. 2 is a side edge view of the window shade frame.

(58) **Field of Search** ..... D6/575, 579; 160/84.01, 160/84.04, 237, 348

FIG. 3 is a top edge view of the window shade frame.

FIG. 4 is a bottom edge view of the window shade frame; and,

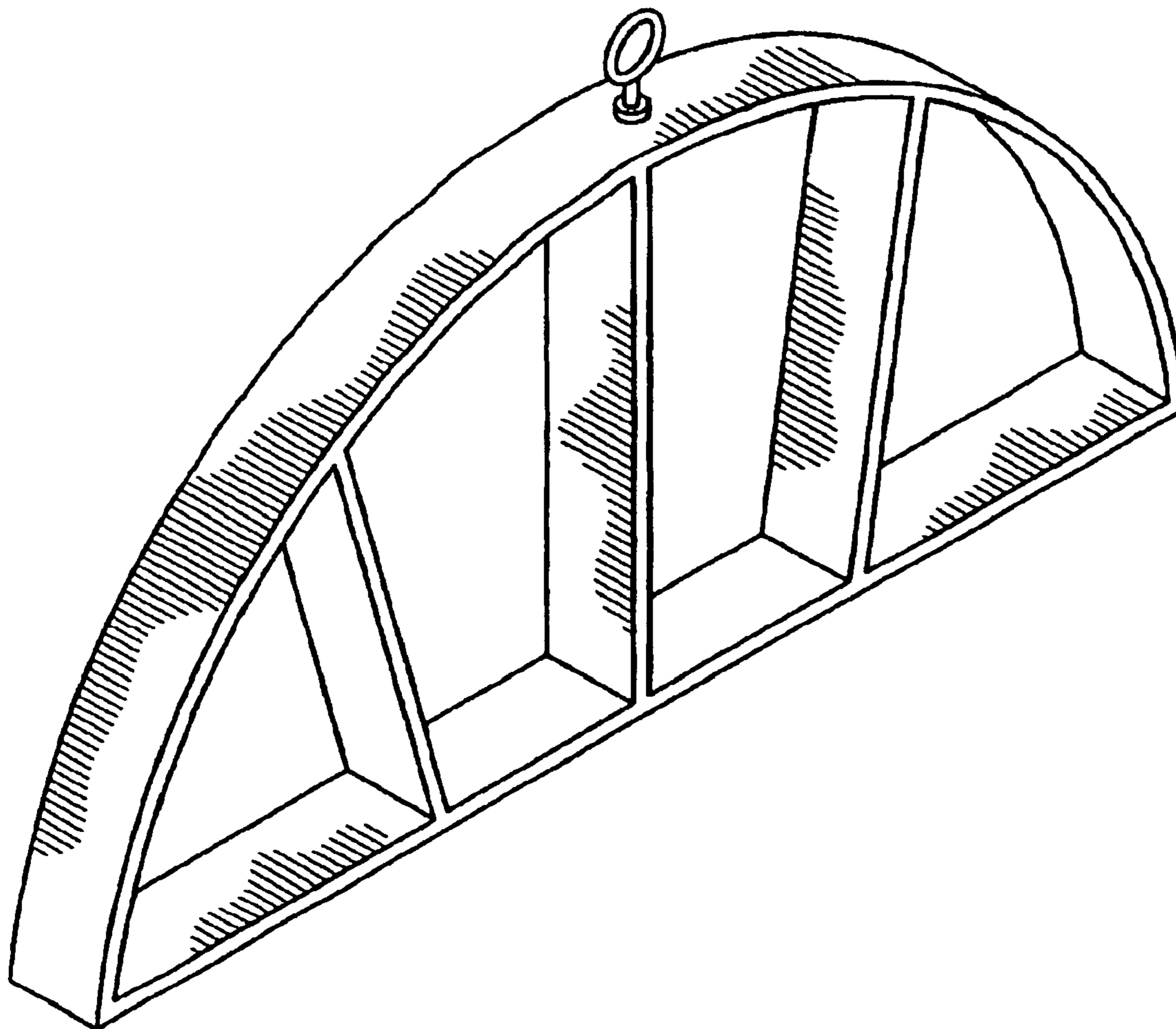
FIG. 5 is a perspective view of the window shade frame.

(56) **References Cited**

**U.S. PATENT DOCUMENTS**

5,086,822 A \* 2/1992 Keighler ..... 160/38

**1 Claim, 3 Drawing Sheets**



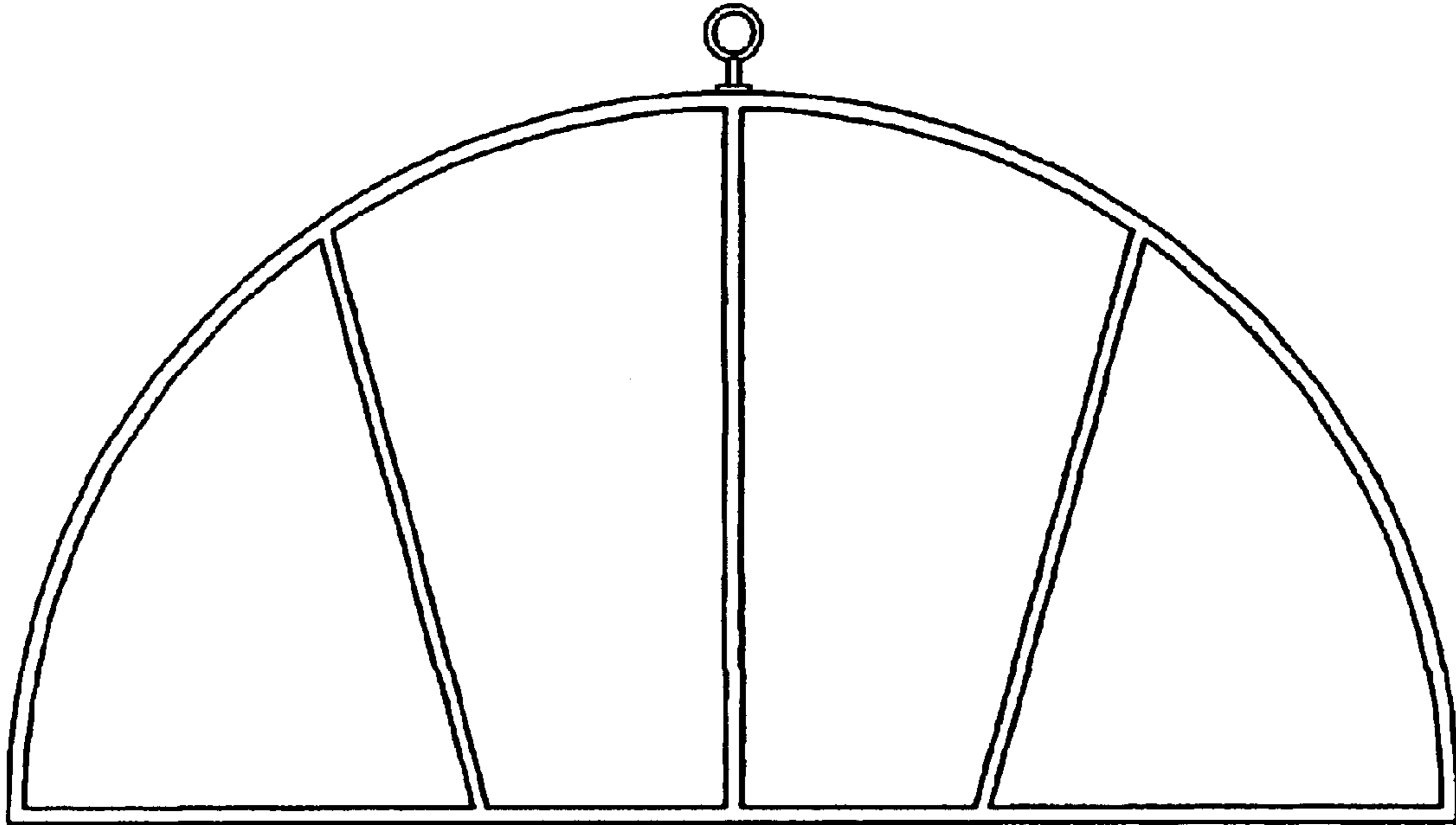


FIG. 1

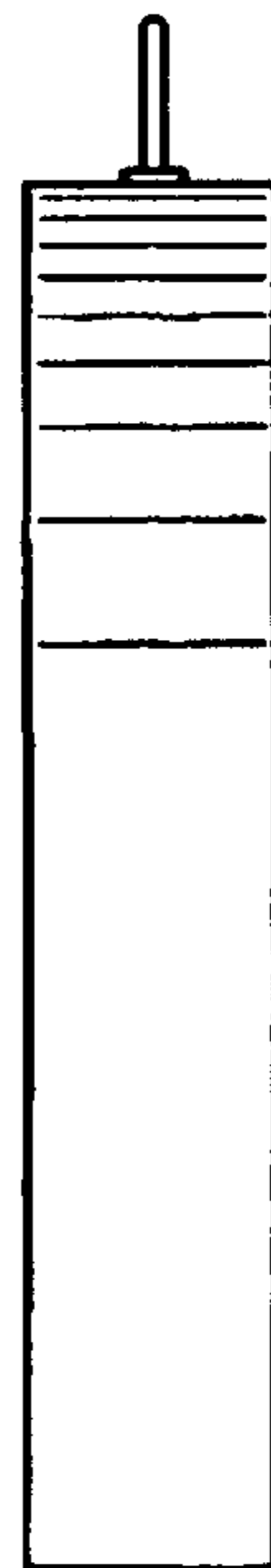


FIG. 2



FIG. 3

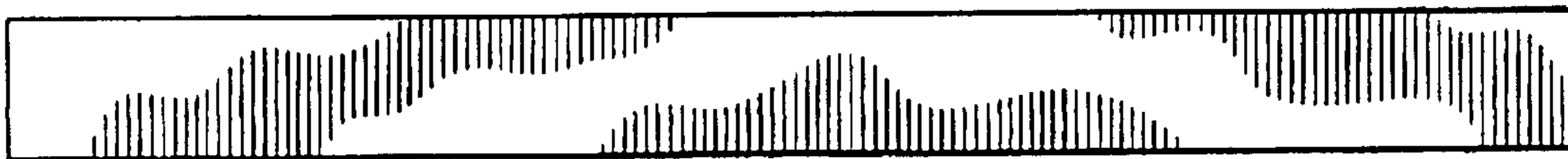


FIG. 4

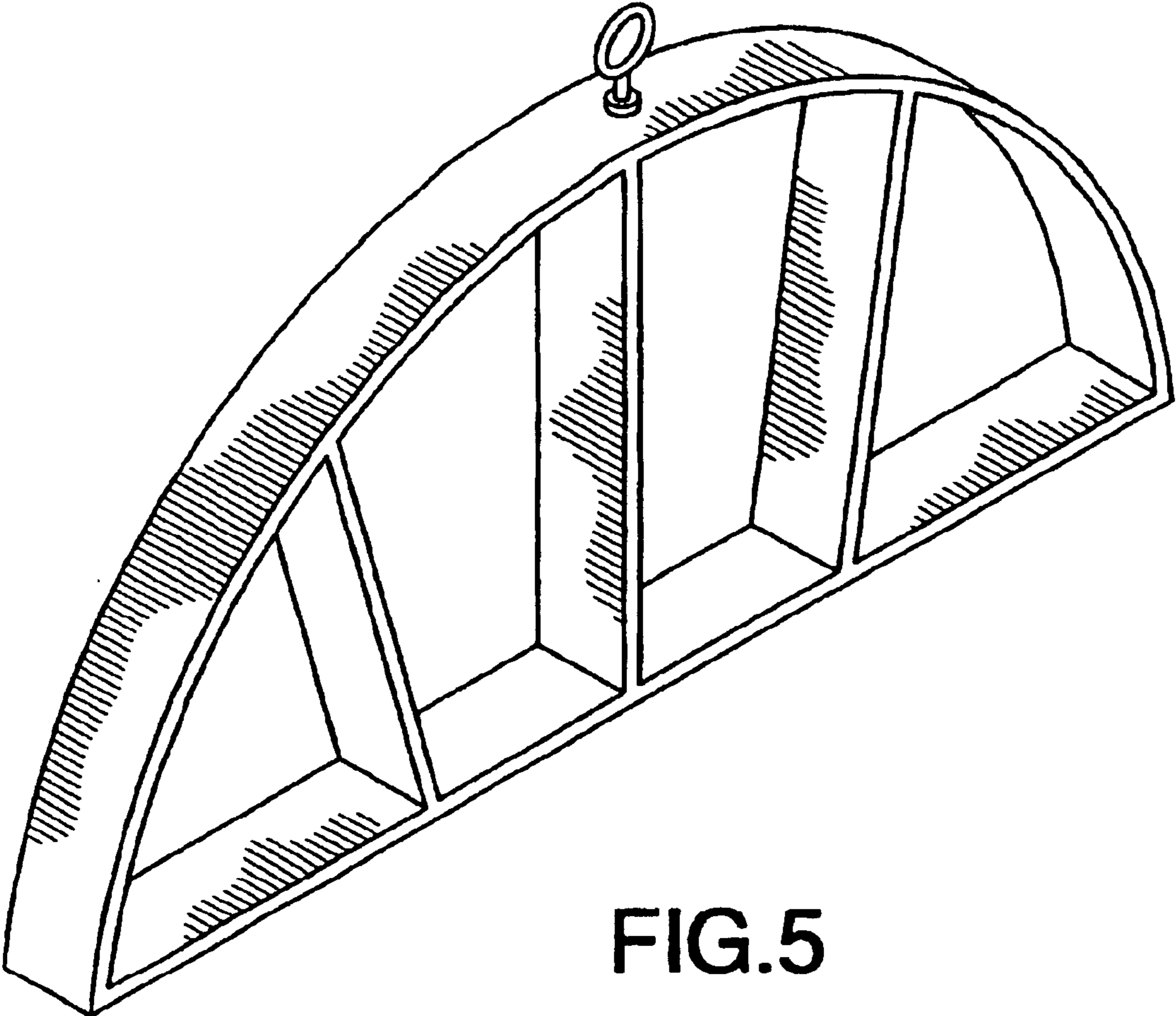


FIG. 5