

US00D499922S

(12) **United States Design Patent**  
**Anderson et al.**

(10) **Patent No.:** **US D499,922 S**

(45) **Date of Patent:** **\*\* Dec. 21, 2004**

(54) **LARGE WIRE SHELF**

(75) Inventors: **Torrence Anderson**, Overland Park, KS  
(US); **Adam Thomas**, Wheaton, IL  
(US)

(73) Assignee: **Suncast Corporation**, Batavia, IL (US)

(\*\*) Term: **14 Years**

(21) Appl. No.: **29/202,964**

(22) Filed: **Apr. 6, 2004**

(51) **LOC (7) Cl.** ..... **06-04**

(52) **U.S. Cl.** ..... **D6/566**

(58) **Field of Search** ..... D6/566, 552-553,  
D6/567, 572, 574, 511; D3/304, 306; 108/161;  
206/557; 211/13.1, 41.3, 41.4, 86.01, 88.01,  
126.1, 134, 181.1; 248/302

(56) **References Cited**

**U.S. PATENT DOCUMENTS**

4,777,888 A \* 10/1988 Waterman et al. .... D6/574

5,547,088 A \* 8/1996 Belokin et al. .... 211/88.01  
D442,002 S \* 5/2001 Rodack ..... D6/566  
6,497,331 B1 \* 12/2002 Morandi ..... 211/181.1  
D477,957 S \* 8/2003 Mikich et al. .... D6/574

\* cited by examiner

*Primary Examiner*—Brian N Vinson

(74) *Attorney, Agent, or Firm*—McHale & Slavin, P.A.

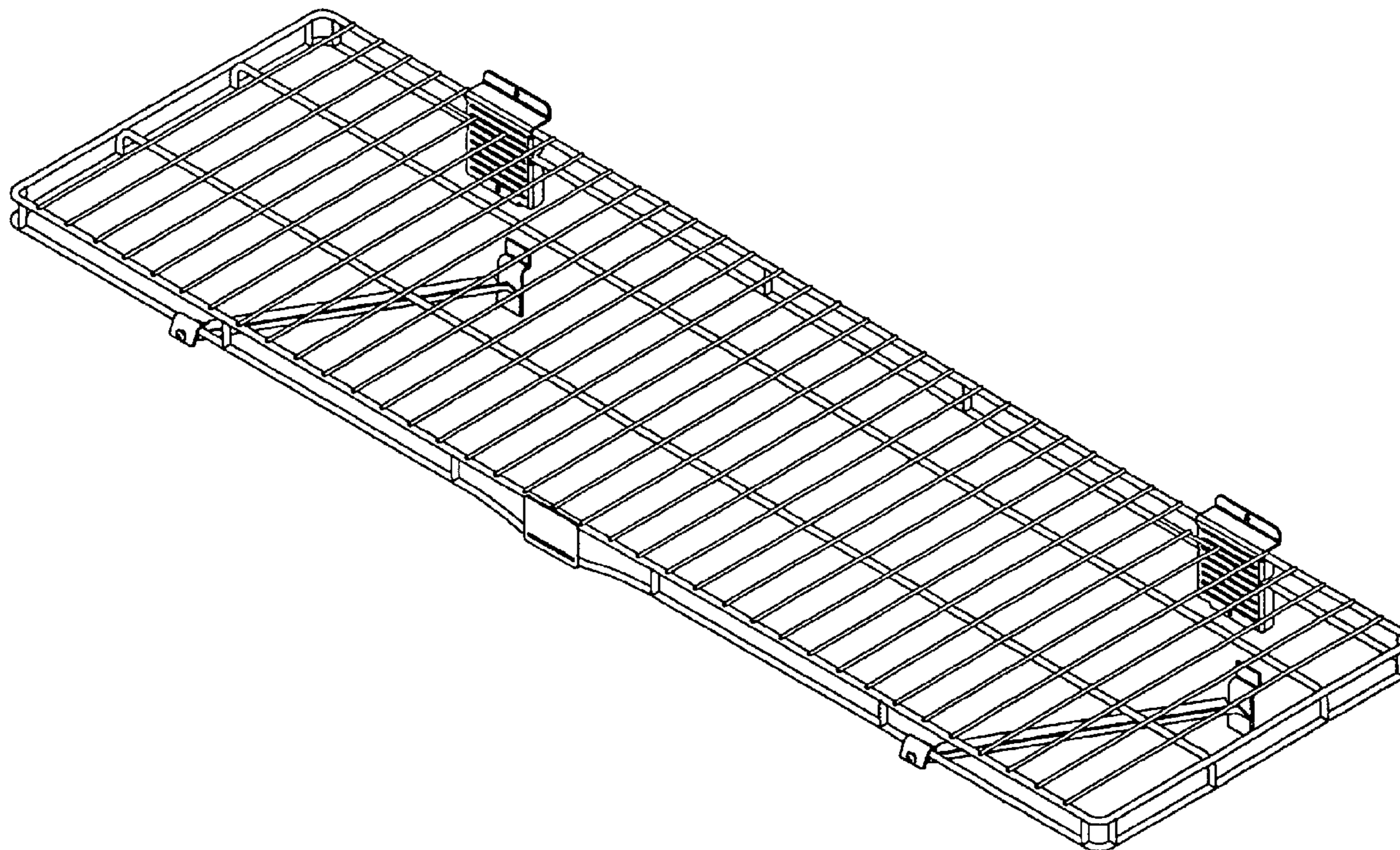
(57) **CLAIM**

The ornamental design for a large wire shelf, as shown and described.

**DESCRIPTION**

FIG. 1 is a perspective view of the large wire shelf of the instant invention;  
FIG. 2 is a front elevation view thereof;  
FIG. 3 is a rear view thereof;  
FIG. 4 is a right side view thereof;  
FIG. 5 is a left side view thereof;  
FIG. 6 is a top view thereof; and,  
FIG. 7 is a bottom view.

**1 Claim, 7 Drawing Sheets**



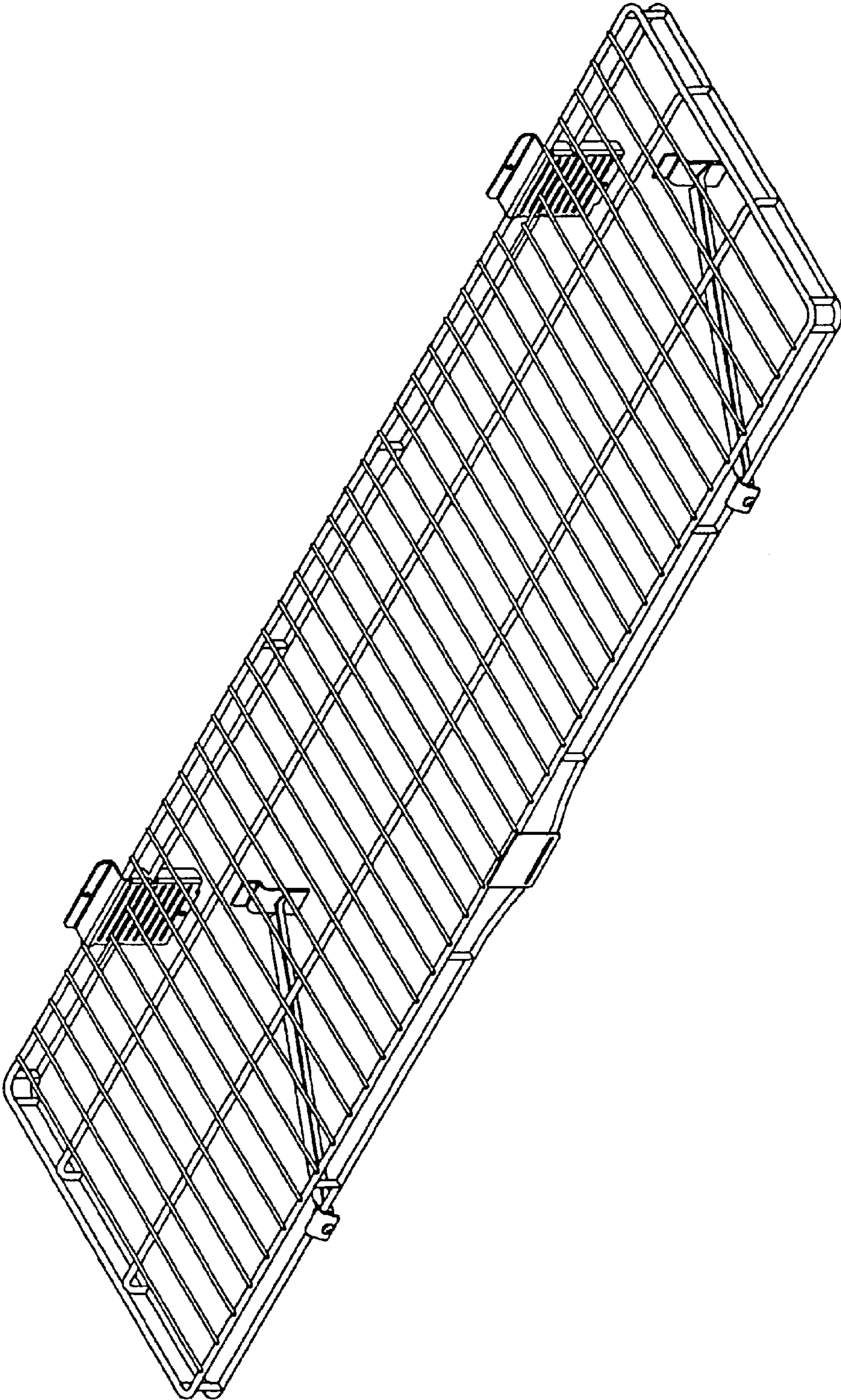


FIGURE 1

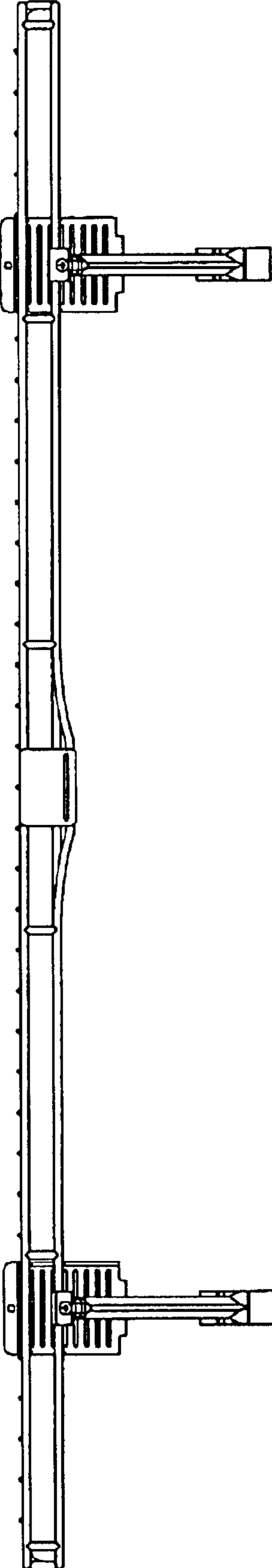


FIGURE 2

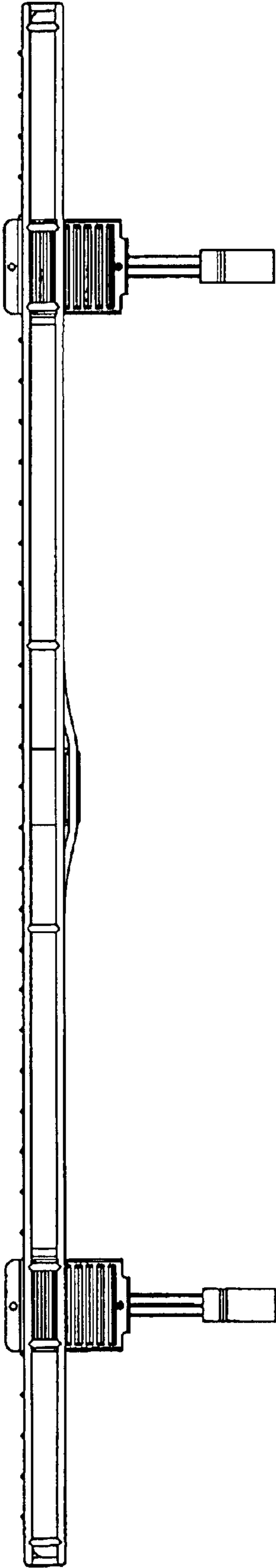
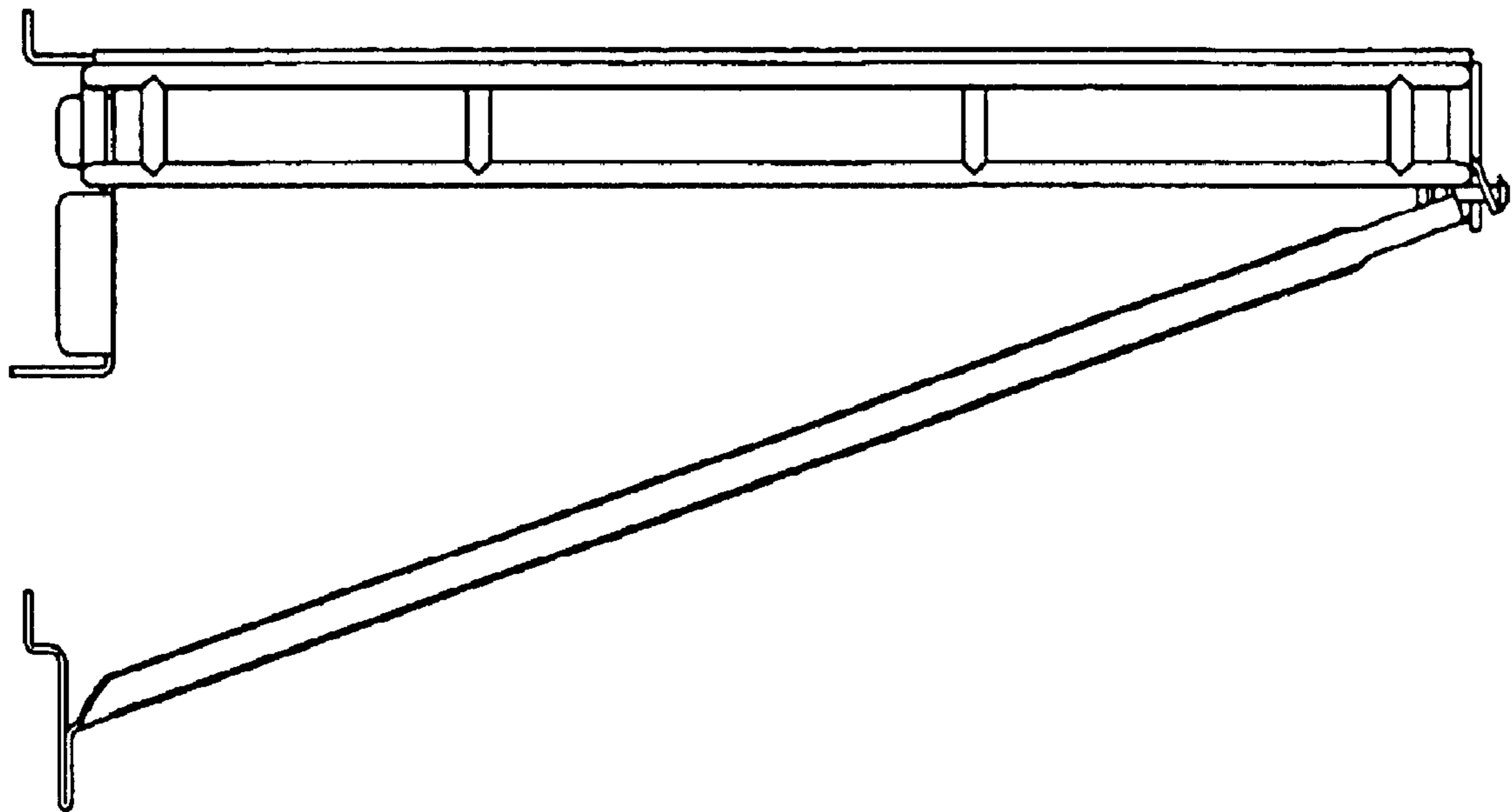
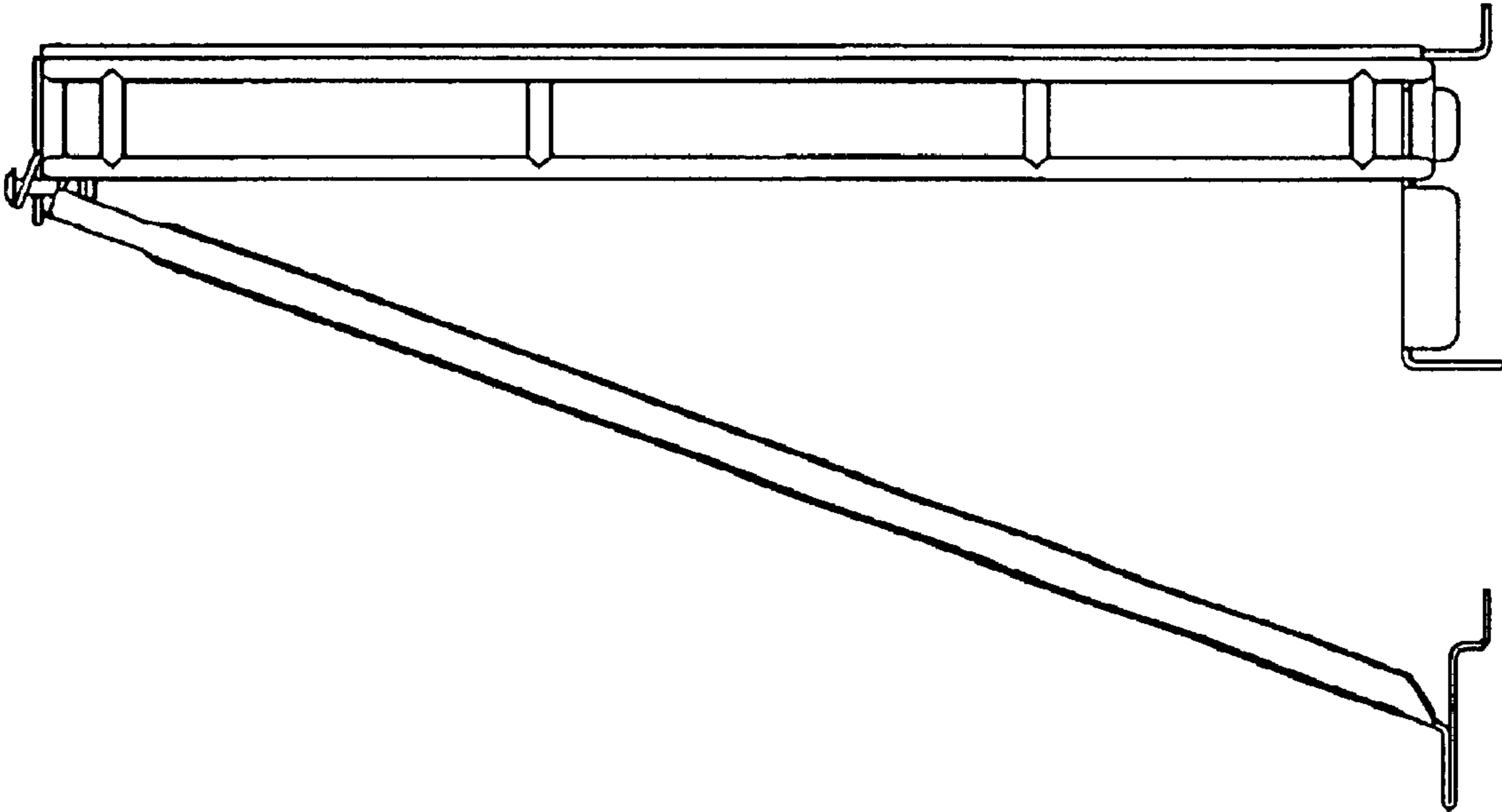


FIGURE 3



**FIGURE 4**



**FIGURE 5**

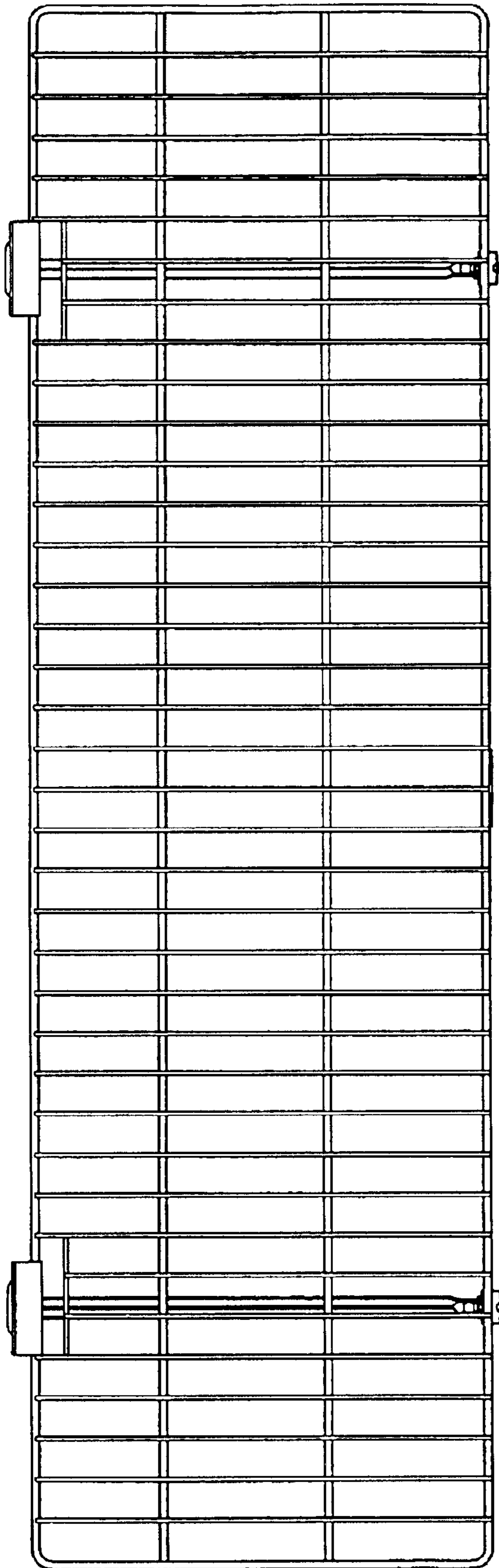


FIGURE 6

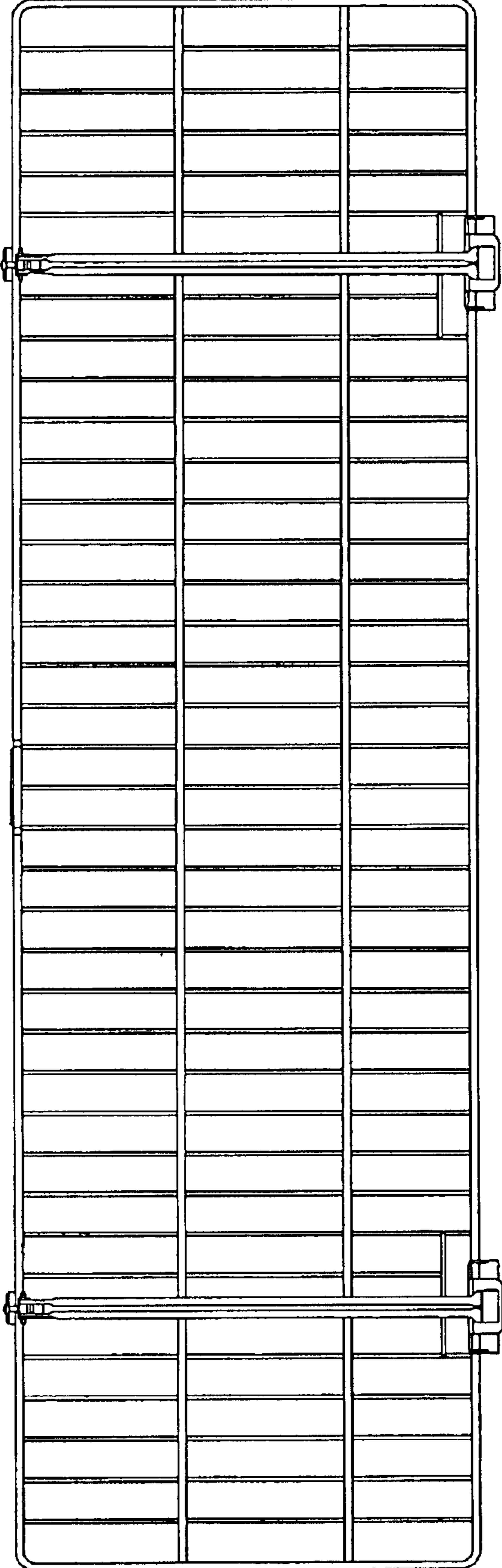


FIGURE 7