



US00D499918S

(12) **United States Design Patent**  
**Snell**

(10) **Patent No.:** **US D499,918 S**

(45) **Date of Patent:** **\*\* Dec. 21, 2004**

(54) **TOOTHBRUSH STAND**

D477,734 S \* 7/2003 Snell ..... D6/534  
D478,231 S \* 8/2003 Snell ..... D6/534  
D482,222 S \* 11/2003 Dretzka ..... D6/534

(75) **Inventor:** **Russell Benton Snell**, Bentleyville, OH  
(US)

\* cited by examiner

(73) **Assignee:** **InterDesign, Inc.**, Solon, OH (US)

*Primary Examiner*—Brian N Vinson

(\*\*) **Term:** **14 Years**

(74) *Attorney, Agent, or Firm*—D. Peter Hochberg; Sean Mellino; Katherine R. Vieyra

(21) **Appl. No.:** **29/188,638**

(57) **CLAIM**

(22) **Filed:** **Aug. 21, 2003**

The ornamental design for a toothbrush stand, as shown and described.

(51) **LOC (7) Cl.** ..... **06-02**

(52) **U.S. Cl.** ..... **D6/534**

(58) **Field of Search** ..... D6/524, 526, 527,  
D6/528, 534; 206/228, 208, 209, 209.1,  
361, 362, 362.1, 362.2, 362.3; 211/13.1,  
65, 66, 70.6, 86.01, 87.01

**DESCRIPTION**

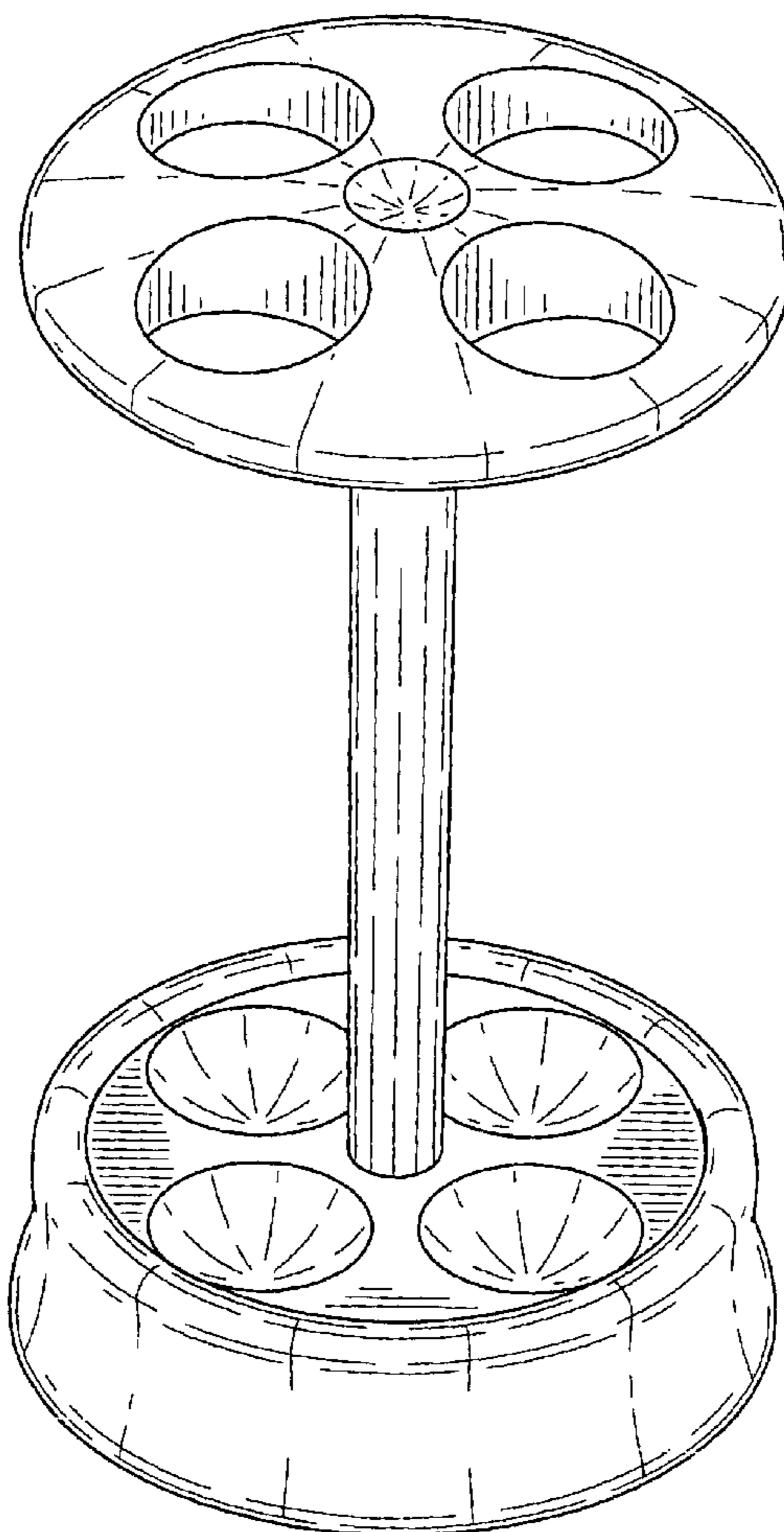
FIG. 1 is a perspective view of a toothbrush stand embodying this invention;  
FIG. 2 is a top view of the toothbrush stand shown in FIG. 1;  
FIG. 3 is a front view of the toothbrush stand shown in FIG. 1; and,  
FIG. 4 is a bottom view of the toothbrush stand shown in FIG. 1.

(56) **References Cited**

**U.S. PATENT DOCUMENTS**

D312,182 S \* 11/1990 Ritchie ..... D6/528  
D418,706 S \* 1/2000 Robishaw ..... D6/534  
D425,255 S \* 5/2000 Chen ..... D6/526

**1 Claim, 2 Drawing Sheets**



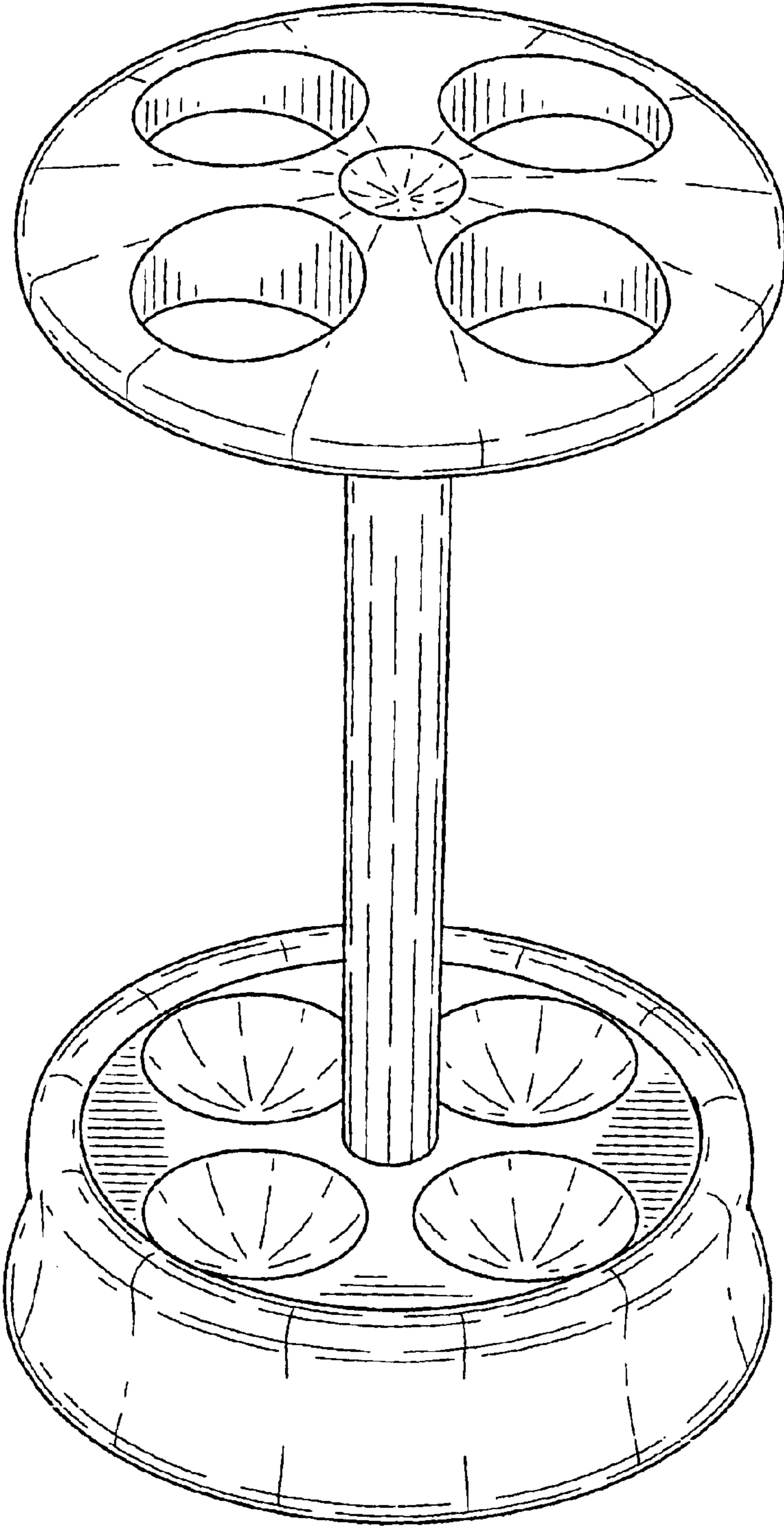


FIG-1

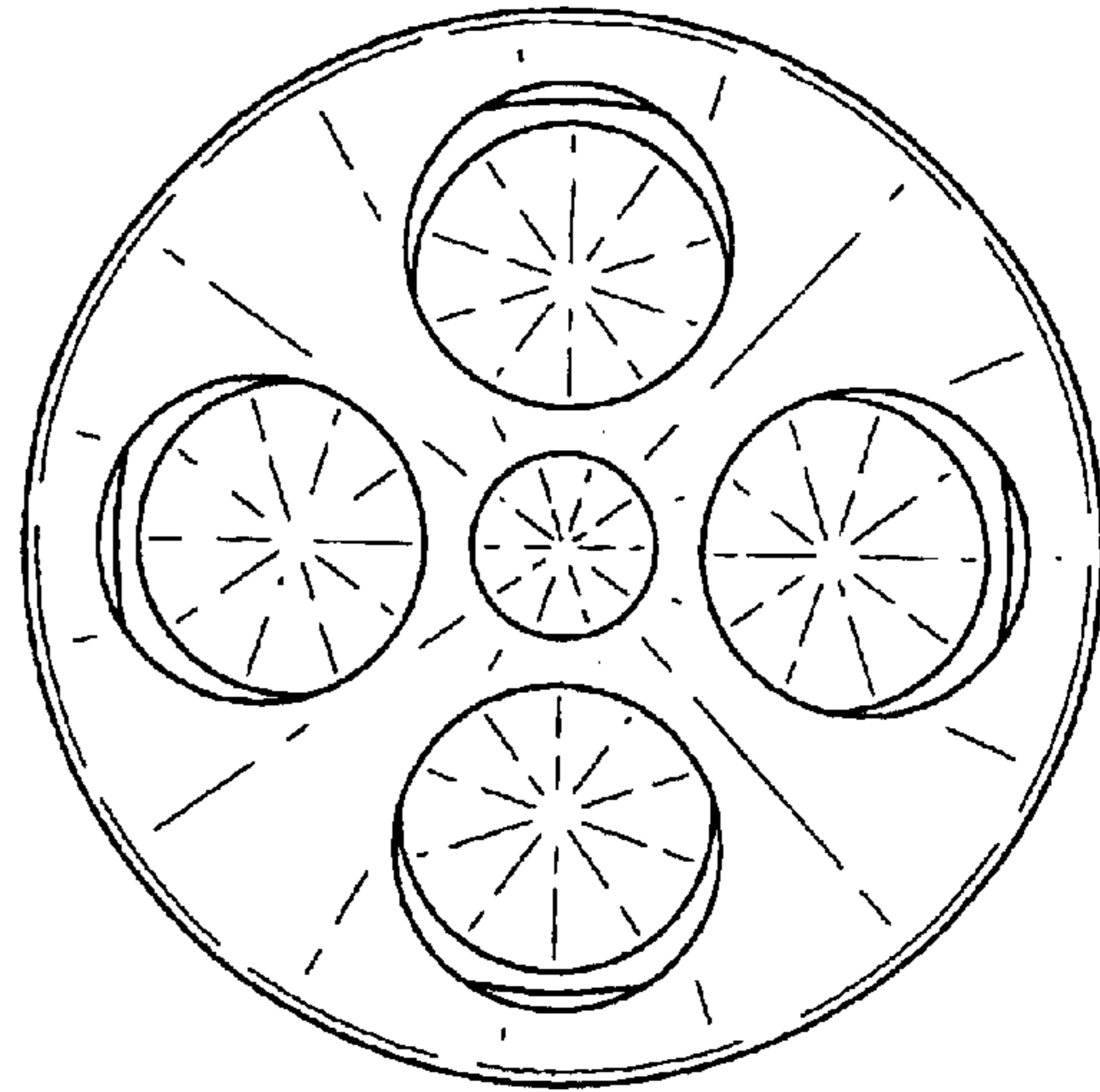


FIG-2

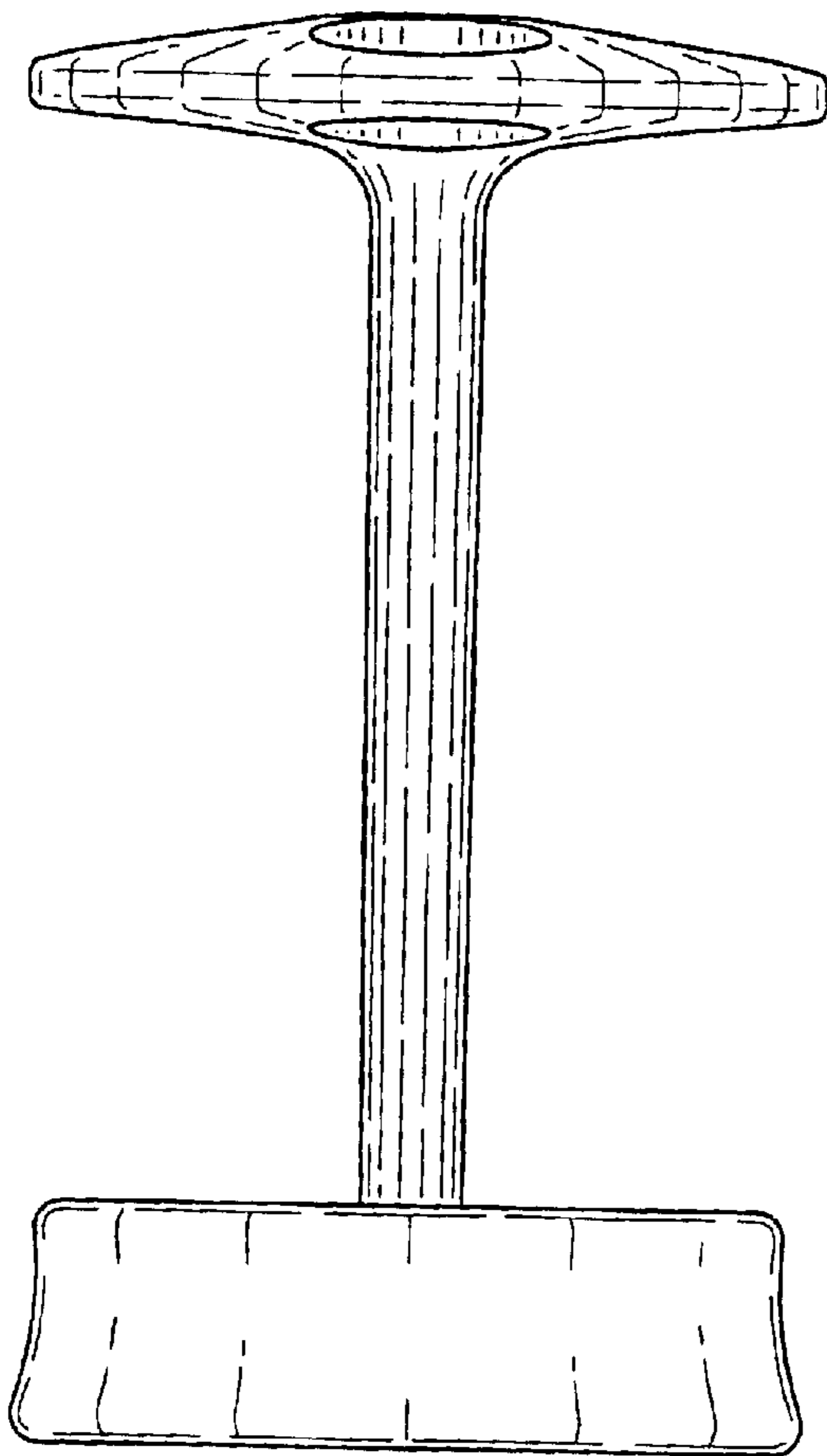


FIG-3

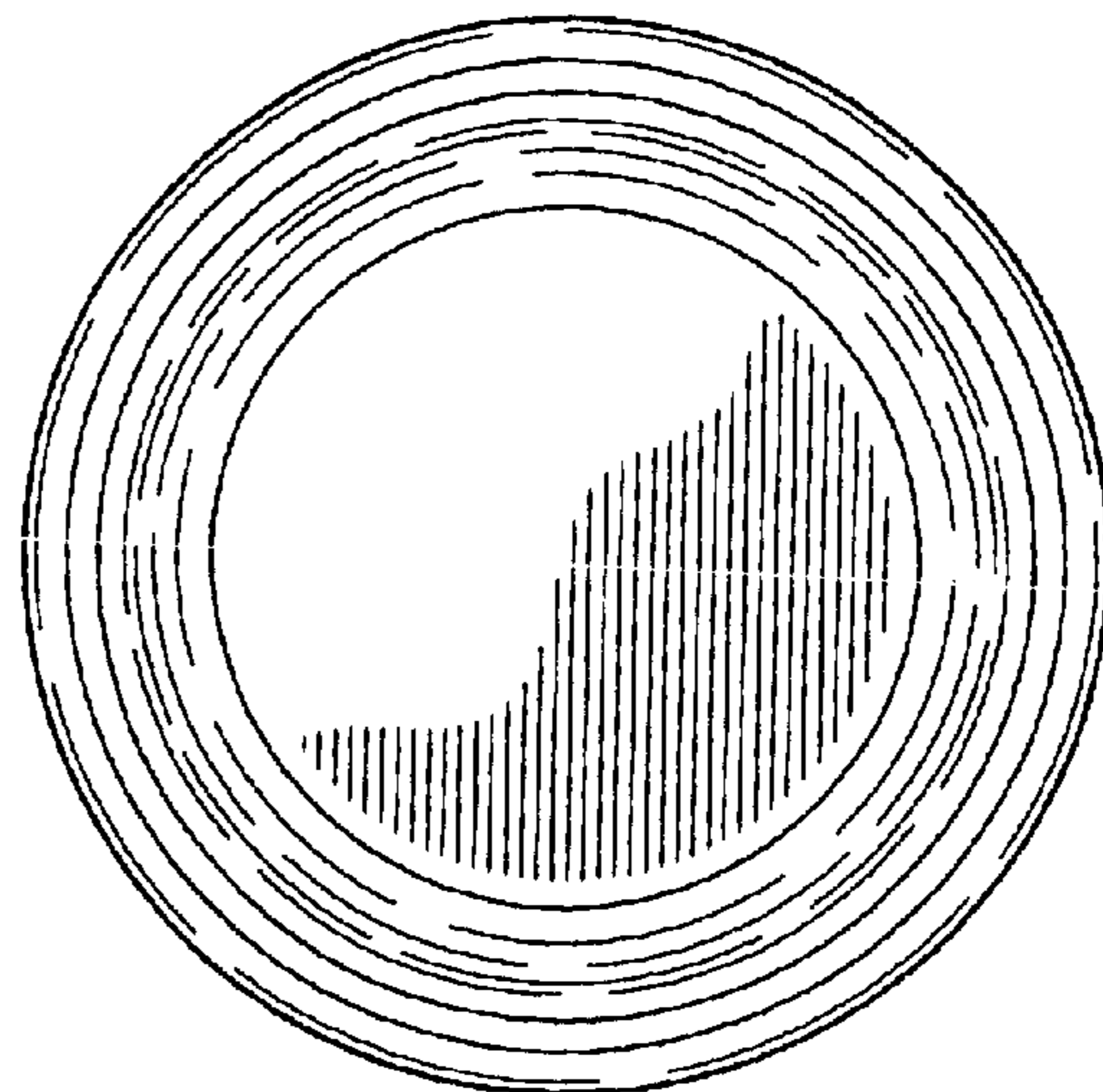


FIG-4