

US00D499910S

(12) **United States Design Patent**
Mohundro

(10) **Patent No.:** **US D499,910 S**
(45) **Date of Patent:** **** Dec. 21, 2004**

(54) **BED FOOTBOARD**

D495,161 S * 8/2004 Cappaert D6/393

(75) **Inventor:** **James Glenn Mohundro, Taichung (TW)**

OTHER PUBLICATIONS

Burlington, Stone Gate, c1983, headboard at bottom right.*

(73) **Assignee:** **Pacific Marketing International Co., Ltd., Taichung (TW)**

* cited by examiner

(**) **Term:** **14 Years**

Primary Examiner—Janice E. Seeger

(74) *Attorney, Agent, or Firm*—Rosenberg, Klein & Lee

(21) **Appl. No.:** **29/192,134**

(57) **CLAIM**

(22) **Filed:** **Oct. 21, 2003**

The ornamental design for a bed footboard, as shown and described.

(51) **LOC (7) Cl.** **06-06**

DESCRIPTION

(52) **U.S. Cl.** **D6/505**

(58) **Field of Search** D6/382, 388, 389,
D6/392–395, 505–508, 503; 5/53.1, 279.1,
280, 281, 907, 285, 310

FIG. 1 is a perspective view of a bed footboard, showing my new design;

FIG. 2 is a front elevational view thereof;

FIG. 3 is a rear elevational view thereof;

FIG. 4 is a left elevational view thereof; and

FIG. 5 is a right elevational view thereof;

FIG. 6 is a top plan view thereof; and,

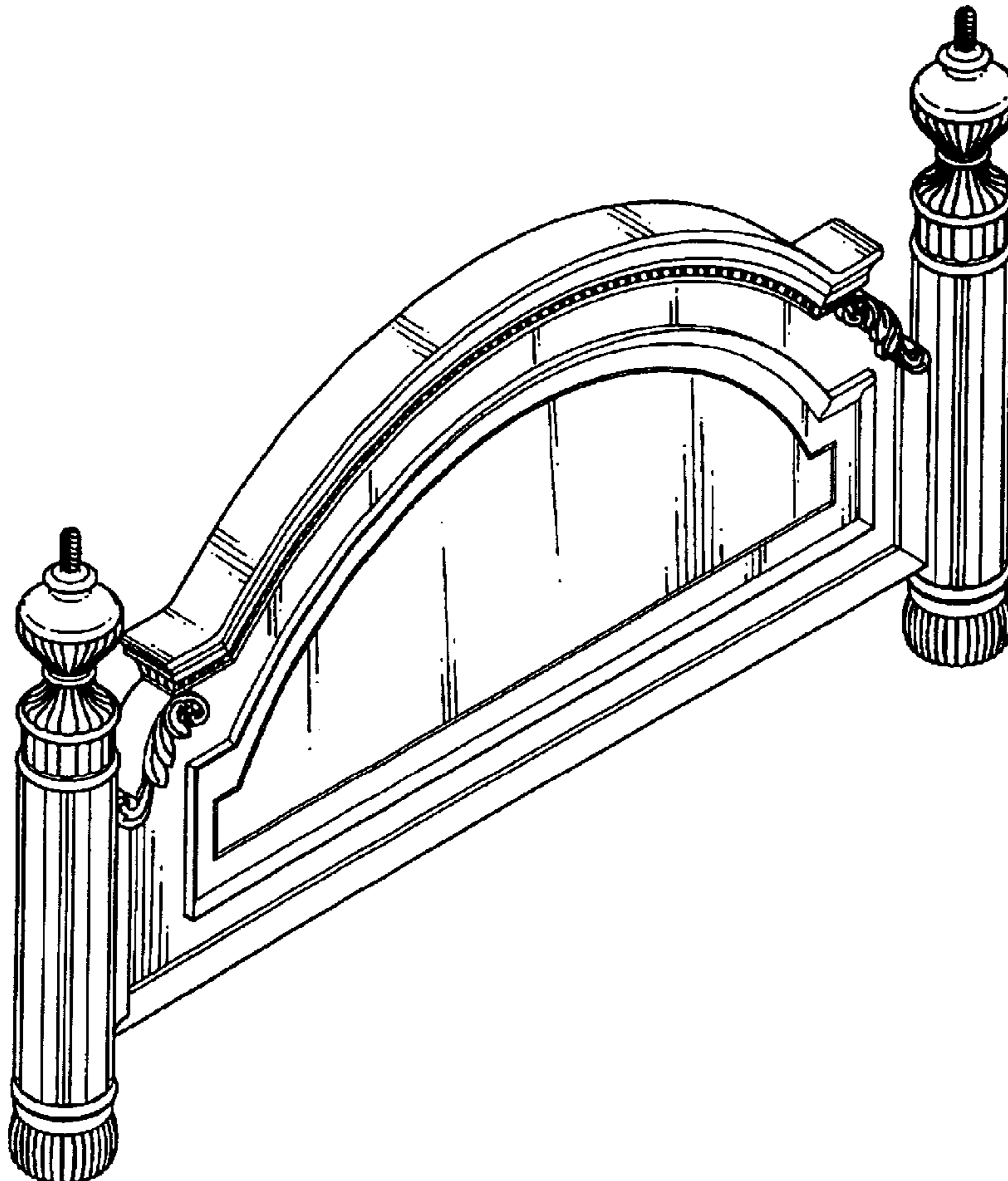
FIG. 7 is a bottom plan view thereof.

(56) **References Cited**

U.S. PATENT DOCUMENTS

D462,848 S * 9/2002 Lenger D6/393
D469,285 S * 1/2003 Stanton D6/505
D474,918 S * 5/2003 Tobin, Jr. D6/393

1 Claim, 5 Drawing Sheets



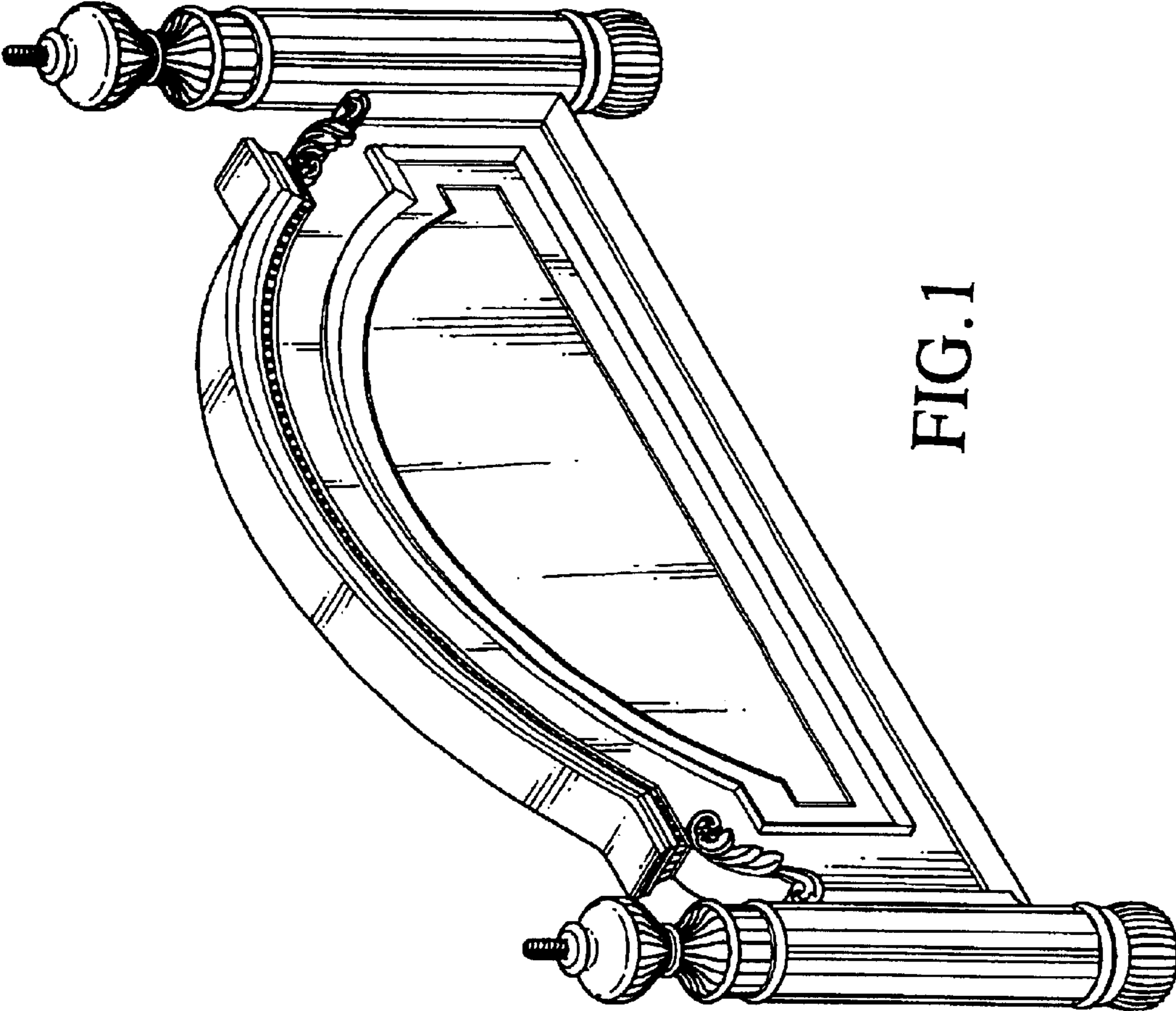


FIG. 1

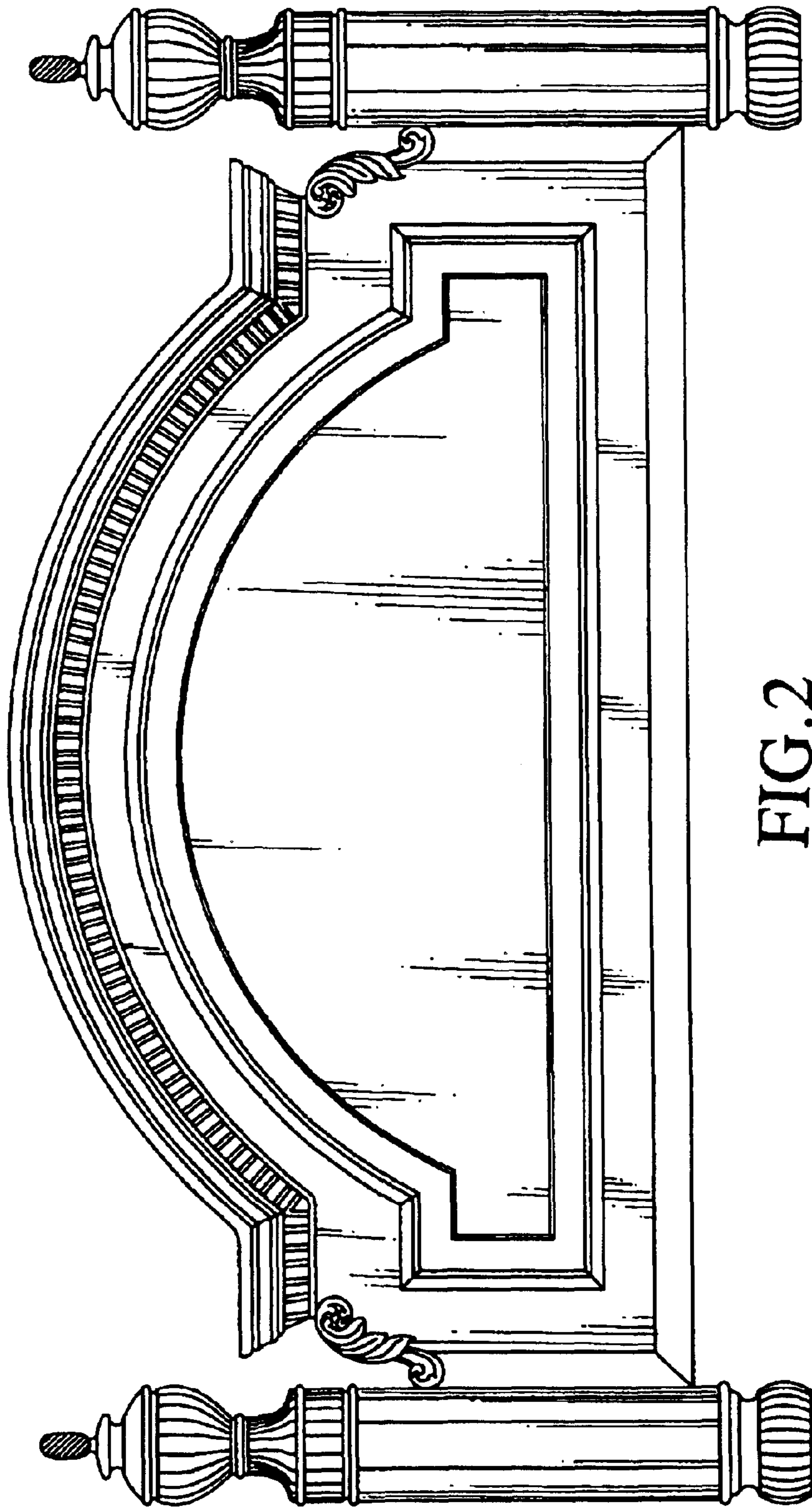


FIG. 2

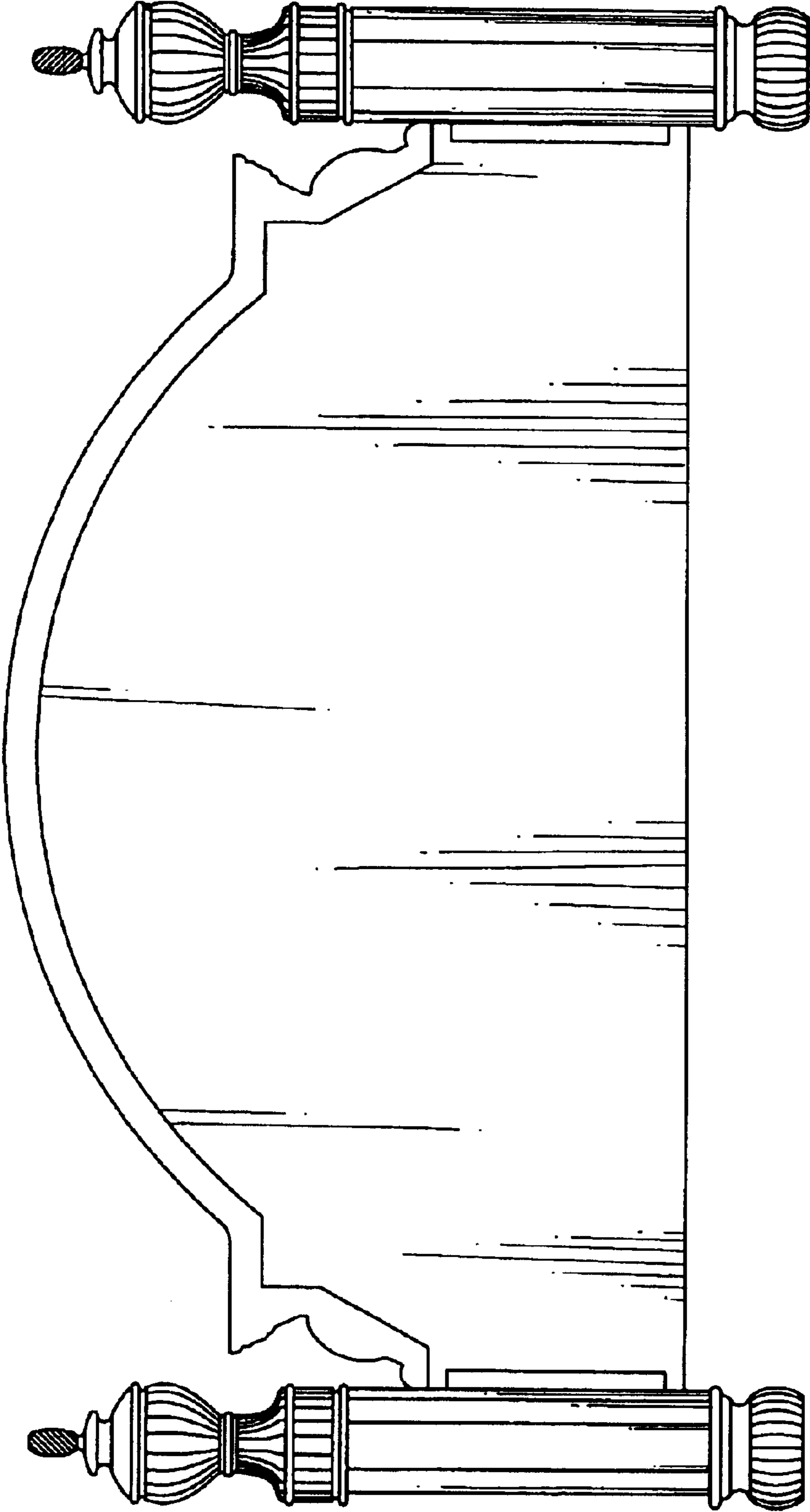


FIG. 3

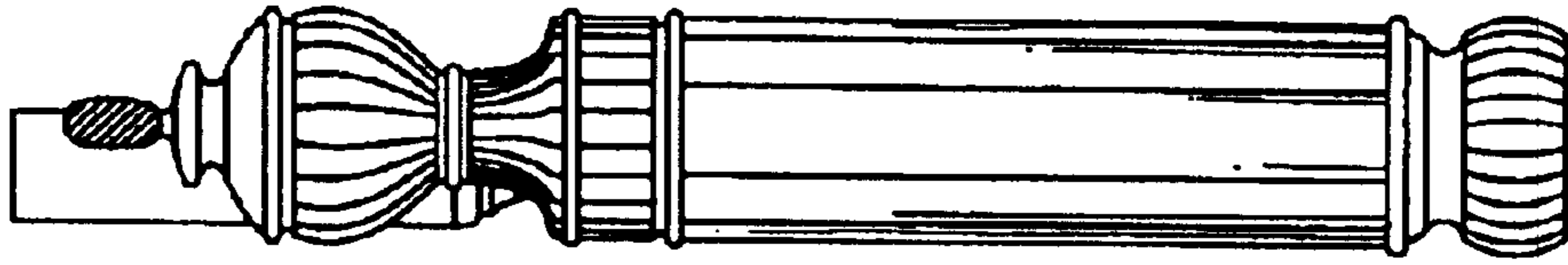


FIG. 5

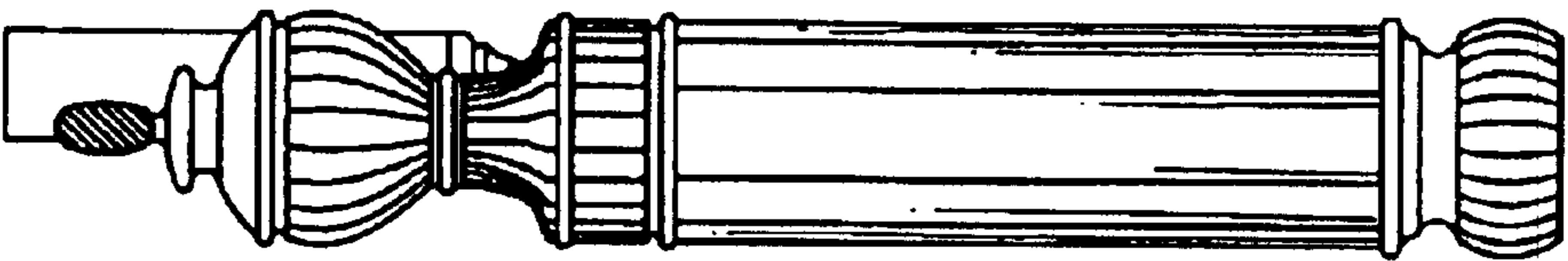


FIG. 4

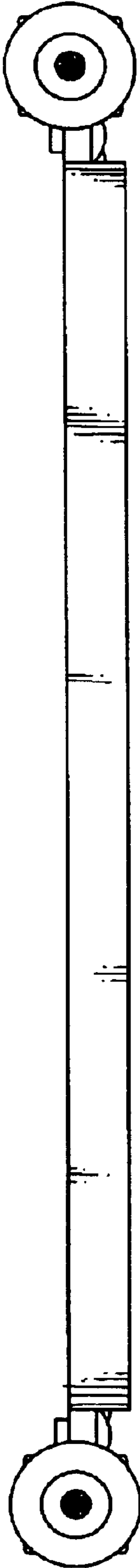


FIG. 6

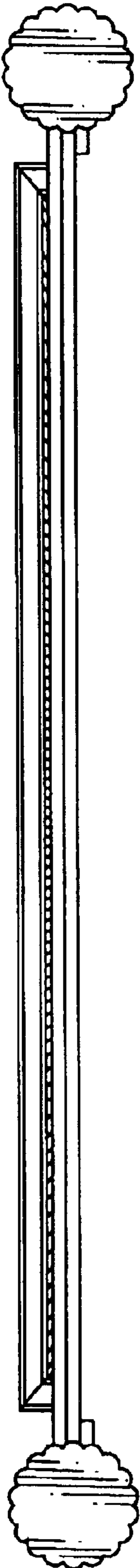


FIG. 7