

US00D499908S

(12) **United States Design Patent**  
**Edwards et al.**

(10) **Patent No.:** **US D499,908 S**

(45) **Date of Patent:** **\*\* Dec. 21, 2004**

(54) **CHAIR ARM**

(75) Inventors: **Tom Edwards**, Spring Lake, MI (US);  
**Errol Pearsons**, Grand Haven, MI (US)

(73) Assignee: **HON Technology, Inc.**, Muscatine, IA (US)

(\*\*) Term: **14 Years**

(21) Appl. No.: **29/198,601**

(22) Filed: **Jan. 30, 2004**

(51) **LOC (7) Cl.** ..... **06-01**

(52) **U.S. Cl.** ..... **D6/501; D6/366**

(58) **Field of Search** ..... D6/334, 335, 364,  
D6/365, 366, 367, 500-502; 297/411.2,  
411.27

(56) **References Cited**

**U.S. PATENT DOCUMENTS**

D289,707 S \* 5/1987 Favaretto ..... D6/366  
D368,380 S \* 4/1996 Olson et al. .... D6/366

D446,033 S \* 8/2001 Koepke et al. .... D6/366  
D472,065 S \* 3/2003 Tseng ..... D6/366  
D474,040 S \* 5/2003 Meda ..... D6/366

\* cited by examiner

*Primary Examiner*—Gary D. Watson

(74) *Attorney, Agent, or Firm*—Ronald A. Sandler; Jones Day

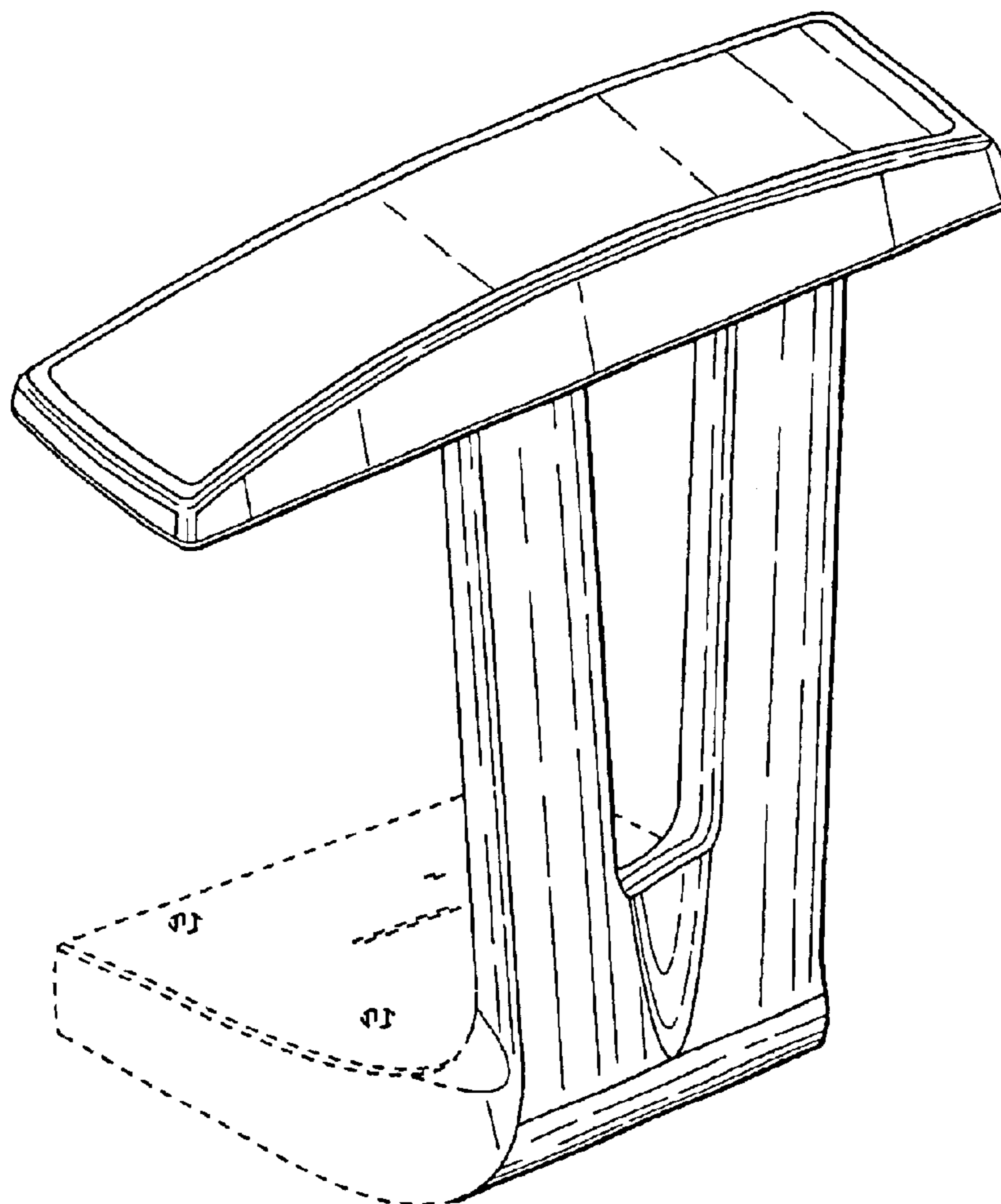
(57) **CLAIM**

The ornamental design for a chair arm, as shown and described.

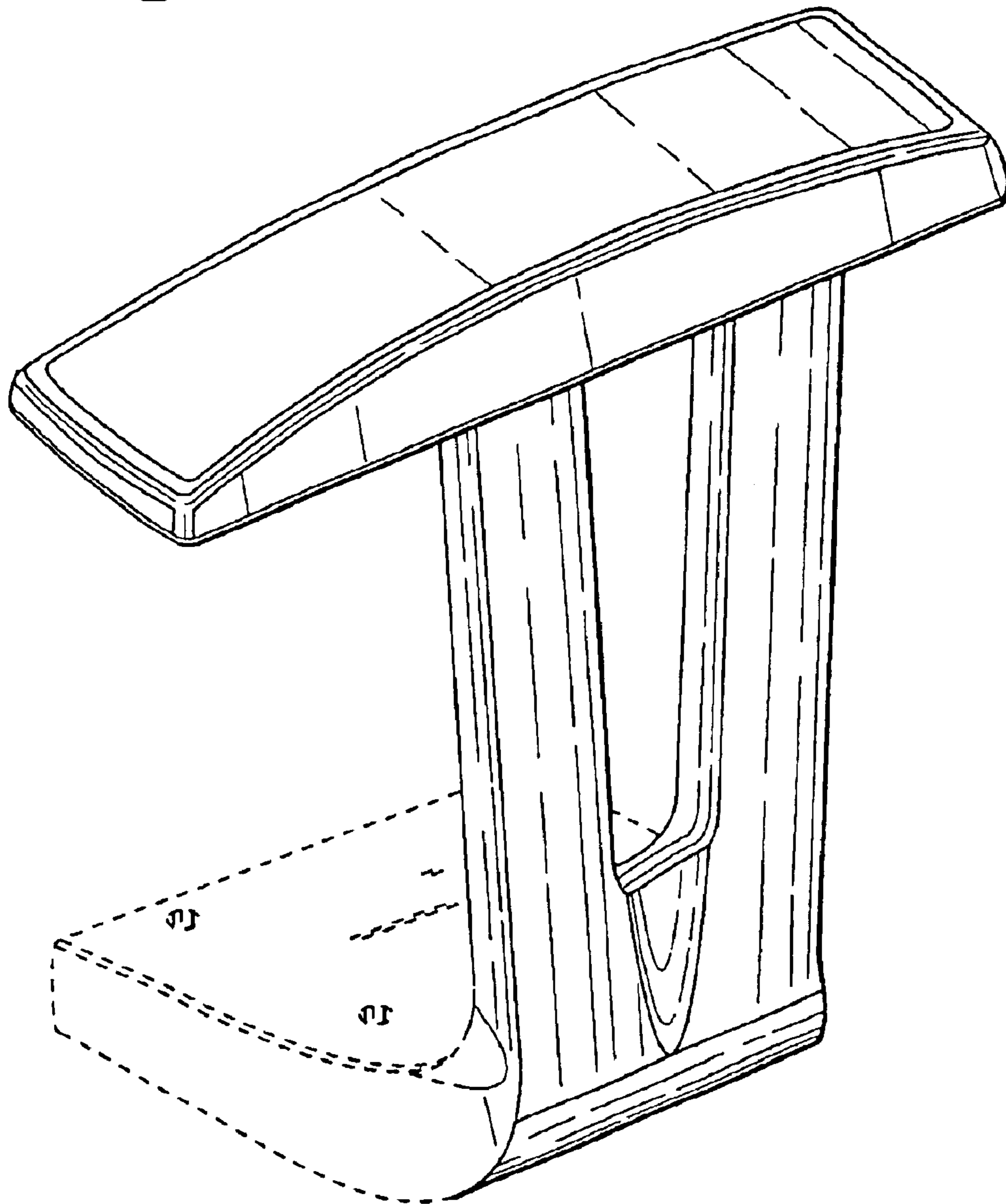
**DESCRIPTION**

FIG. 1 is an isometric view of a left side of the chair arm showing the new design;  
FIG. 2 is a left side elevation view thereof;  
FIG. 3 is a right side elevation view thereof;  
FIG. 4 is a rear elevation view thereof;  
FIG. 5 is a front elevation view thereof; and,  
FIG. 6 is a top plan view thereof.

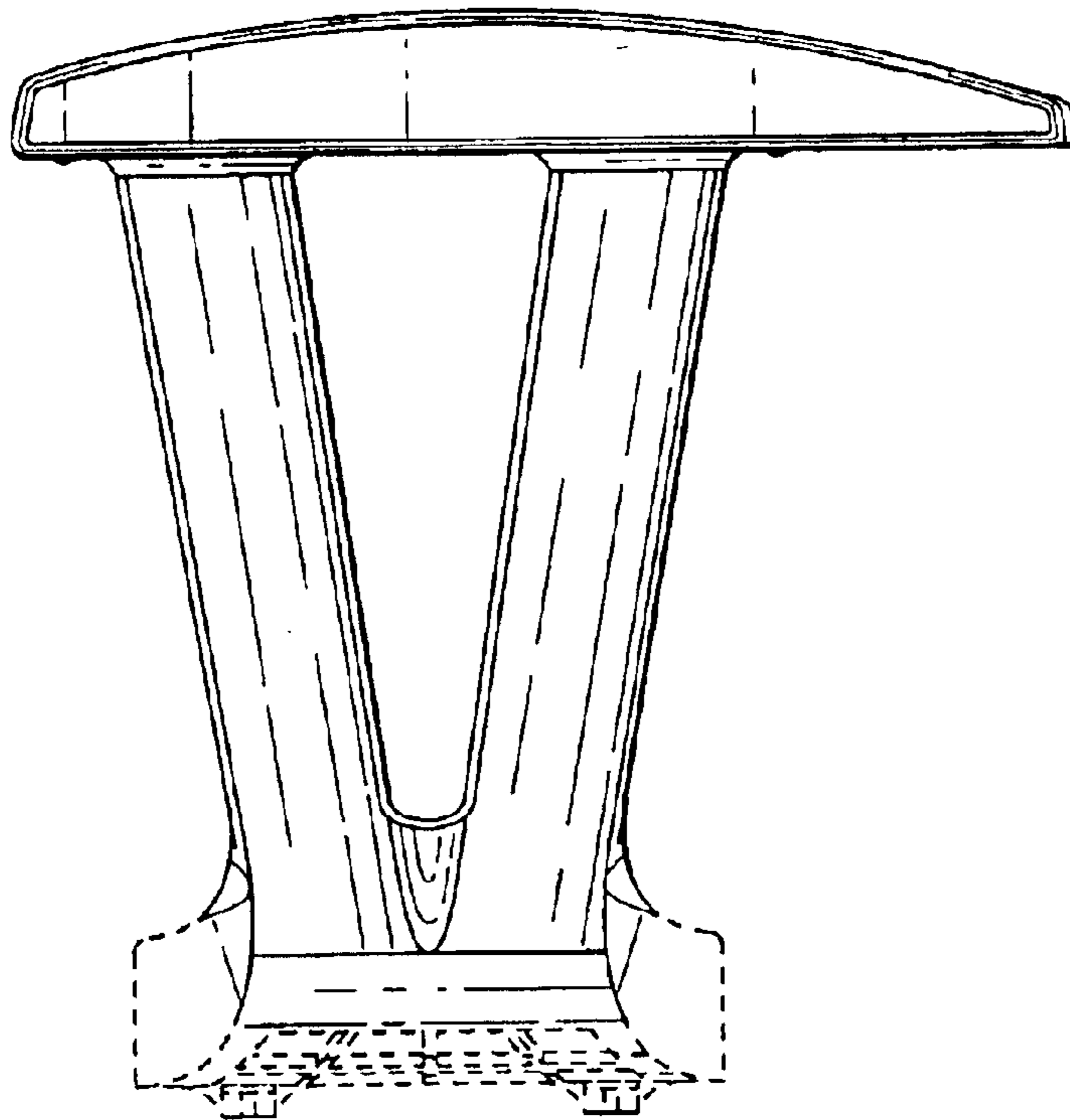
**1 Claim, 4 Drawing Sheets**



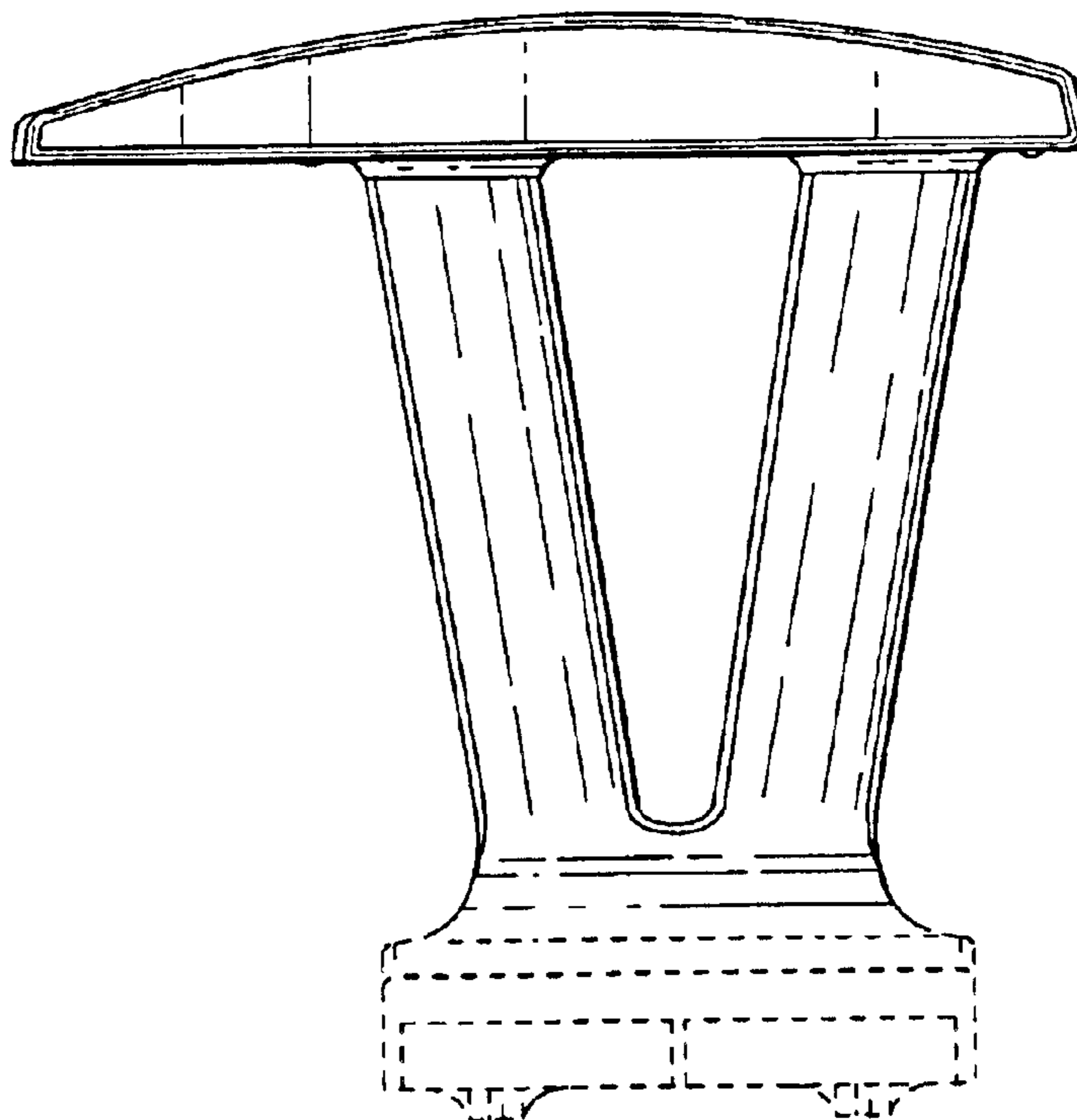
*Fig. 1*



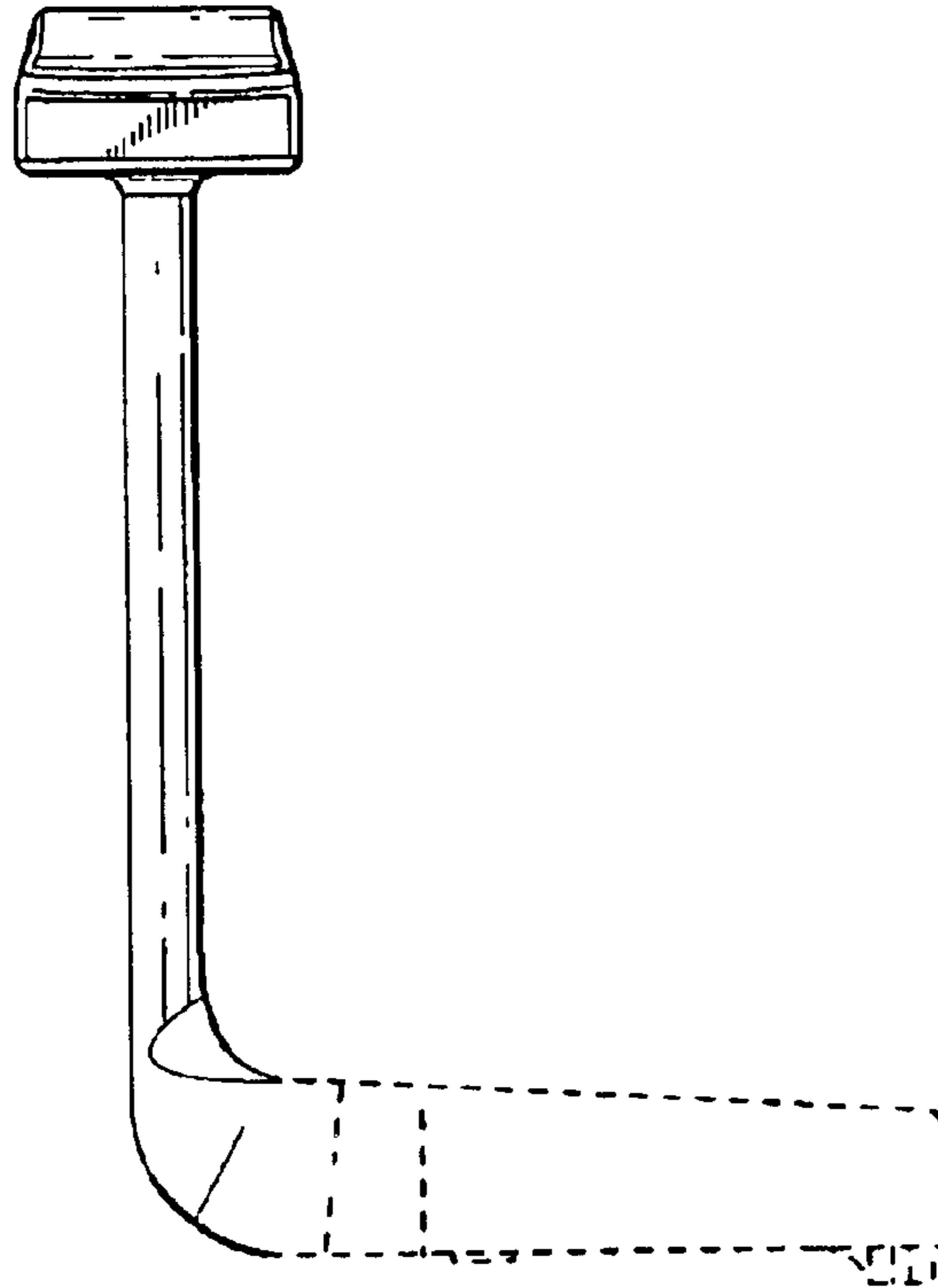
*Fig. 2*



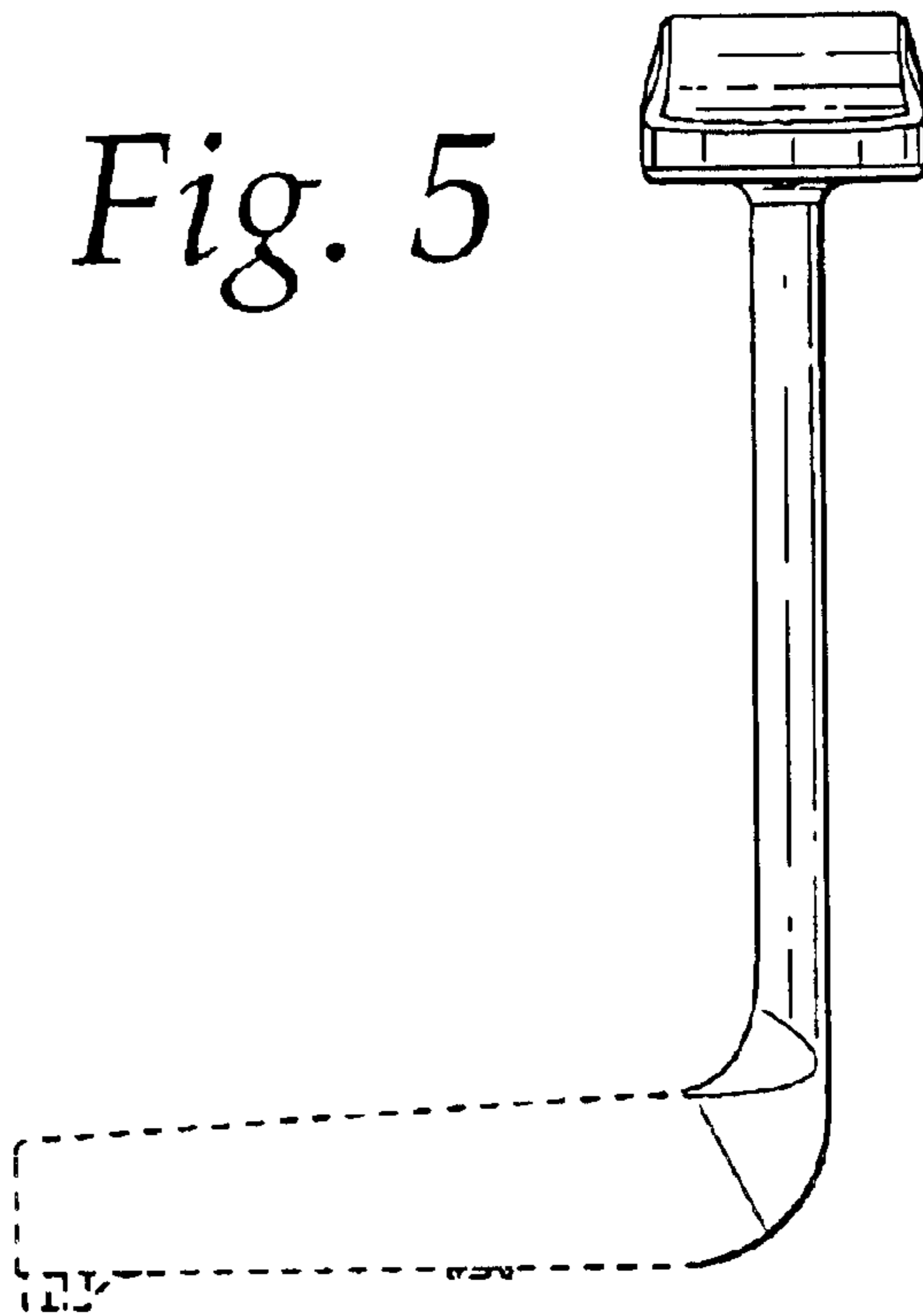
*Fig. 3*



*Fig. 4*



*Fig. 5*



*Fig. 6*

