

US00D499906S

(12) **United States Design Patent** (10) **Patent No.:** **US D499,906 S**  
**Stanton** (45) **Date of Patent:** **\*\* Dec. 21, 2004**

(54) **FURNITURE POST SECTION**

(75) Inventor: **Shawn C. Stanton**, High Point, NC (US)

(73) Assignee: **Thomasville Furniture Industries, Inc.**, Thomasville, NC (US)

(\*\*) Term: **14 Years**

(21) Appl. No.: **29/194,038**

(22) Filed: **Nov. 18, 2003**

(51) **LOC (7) Cl.** ..... **06-06**

(52) **U.S. Cl.** ..... **D6/495; D6/393**

(58) **Field of Search** ..... D6/382, 388, 389, D6/392-395, 505-508, 503, 495, 491; 5/53.1, 279.1, 280, 281, 907, 285, 310

(56) **References Cited**

**U.S. PATENT DOCUMENTS**

D422,167 S	*	4/2000	Vaaler	.....	D6/495
D423,246 S		4/2000	Cain	.....	D6/393
D430,428 S		9/2000	Cain	.....	D6/446
D431,393 S		10/2000	Walters, III et al.	.....	D6/446
D455,283 S	*	4/2002	McDaniel et al.	.....	D6/393
D455,284 S	*	4/2002	Vaaler	.....	D6/393
D459,120 S		6/2002	Stanton	.....	D6/505
D466,320 S		12/2002	Tobin, Jr.	.....	D6/379
D469,285 S		1/2003	Stanton	.....	D6/505

**OTHER PUBLICATIONS**

Bedpost on poster bed, *Serafina Bedroom* catalogue, Thomasville Furniture Industries, Inc., Thomasville, North Carolina, p. 5, 2000.

Table leg on Rectangular Cocktail Table, *Grand Classics Bedroom/Dining Room/Living Room* catalogue, Thomasville Furniture Industries, Inc., Thomasville, North Carolina, p. 20, 1993.

Leg on Russell Planter's Chair, *Ernest Hemingway: The Collection of a Lifetime: Paris/Kenya/Ketchum/Key West/Havana* catalogue, Thomasville Furniture Industries, Inc., Thomasville, North Carolina, p. 72, 2001.

Bedpost on poster bed, *Terrace Garden Bedroom/Dining Room/Living Room* catalogue, Thomasville Furniture Industries, Inc., Thomasville, North Carolina, p. 3, date unknown, believed to be available as of filing date.

Bedpost on poster bed, *Elysée Bedroom/Dining Room/Living Room* catalogue, Thomasville Furniture Industries, Inc., Thomasville, North Carolina, p. 7, 1995.

Bedpost on Canopy Frame bed, *Fisher Park Bedroom/Dining Room/Living Room* catalogue, Thomasville Furniture Industries, Inc., Thomasville, North Carolina, pp. 3 and 31, date unknown, believed to be available as of filing date.

Table leg on Chesterton Rectangular Dining Table, *Ernest Hemingway: The Collection of a Lifetime: Windemere/Kenya/Key West/Ketchum/Havana/Paris* catalogue, Thomasville Furniture Industries, Inc., Thomasville, North Carolina, p. 15, 2002.

(List continued on next page.)

*Primary Examiner*—Janice E. Seeger

(74) *Attorney, Agent, or Firm*—Womble Carlyle Sandridge & Rice, PLLC

(57) **CLAIM**

The ornamental design for a furniture post section, as shown and described.

**DESCRIPTION**

FIG. 1 is a perspective view of a furniture post section of indefinite length showing my new design;

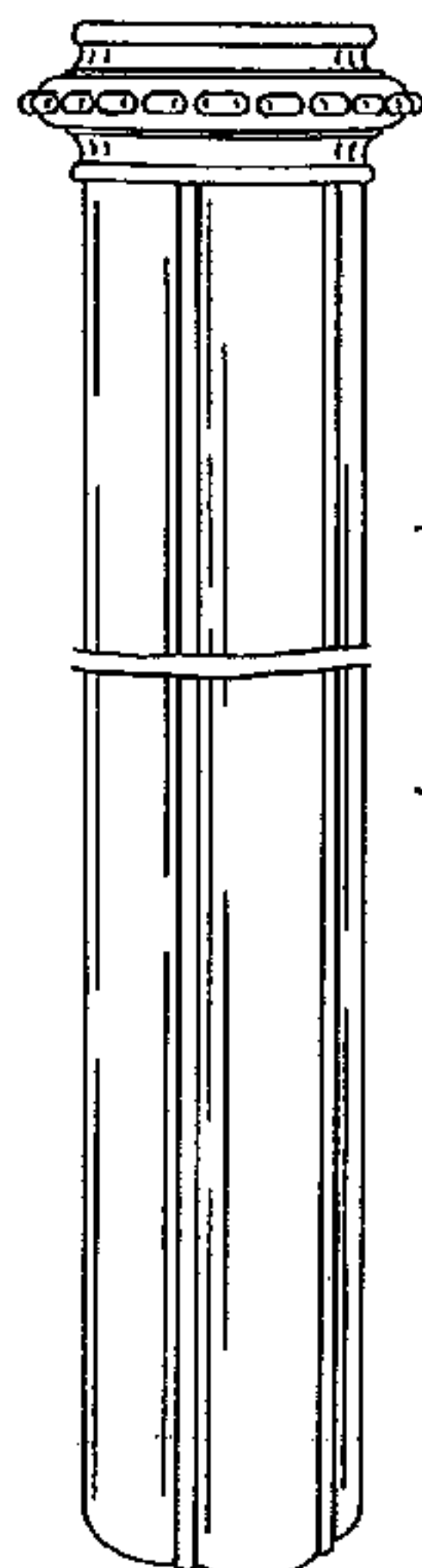
FIG. 2 is a front or side elevational view, the opposite side being a mirror image thereof;

FIG. 3 is a cross section view taken along line 3—3 in FIG. 2 thereof; and,

FIG. 4 is a front elevational view thereof and including broken lines indicating representative environmental elements.

The views of the furniture post section not shown form no part of the claimed design. The broken lines depicting a bedstead in FIG. 3 represent environmental elements only and form no part of the claimed design.

**1 Claim, 2 Drawing Sheets**



OTHER PUBLICATIONS

Furniture post on Kilimanjaro Dresser, *Ernest Hemingway: The Collection of a Lifetime: Windemere/Kenya/Key West/Ketchum/Havana/Paris* catalogue, Thomasville Furniture Industries, Inc., Thomasville, North Carolina, p. 28, 2002.

Chair and table legs, *Carlton Hall Bedroom/Dining Room/Living Room* catalogue, Thomasville Furniture Industries, Inc., Thomasville, North Carolina, p. 14, 1996.

Bedpost on Poster Bed, *Collector's Cherry Bedroom/Dining Room/Living Room/Home Entertainment* catalogue, Thomasville Furniture Industries, Inc., Thomasville, North Carolina, p. 29, 2001.

Chair and table legs, *Color Caf e* catalogue, Thomasville Furniture Industries, Inc., Thomasville, North Carolina, p. 26, 2002.

Furniture post on Key West Poster Bed, *Ernest Hemingway: The Collection of a Lifetime: Paris/Kenya/Ketchum/Key West/Havana* catalogue, Thomasville Furniture Industries, Inc., Thomasville, North Carolina, p. 77, 2001.

Furniture Leg on Whitehead Street Sideboard, *Ernest Hemingway: The Collection of a Lifetime: Paris/Kenya/Ketchum/Key West/Havana* catalogue, Thomasville Furniture Industries, Inc., Thomasville, North Carolina, p. 84, 2001.

Bedpost on Bishopgate Mansion Bed, *Kent Park Bedroom/Living Room/Dining Room/Home Entertainment* catalogue, Thomasville Furniture Industries, Inc., Thomasville, North Carolina, p. 3, 2002.

\* cited by examiner

FIG. 1

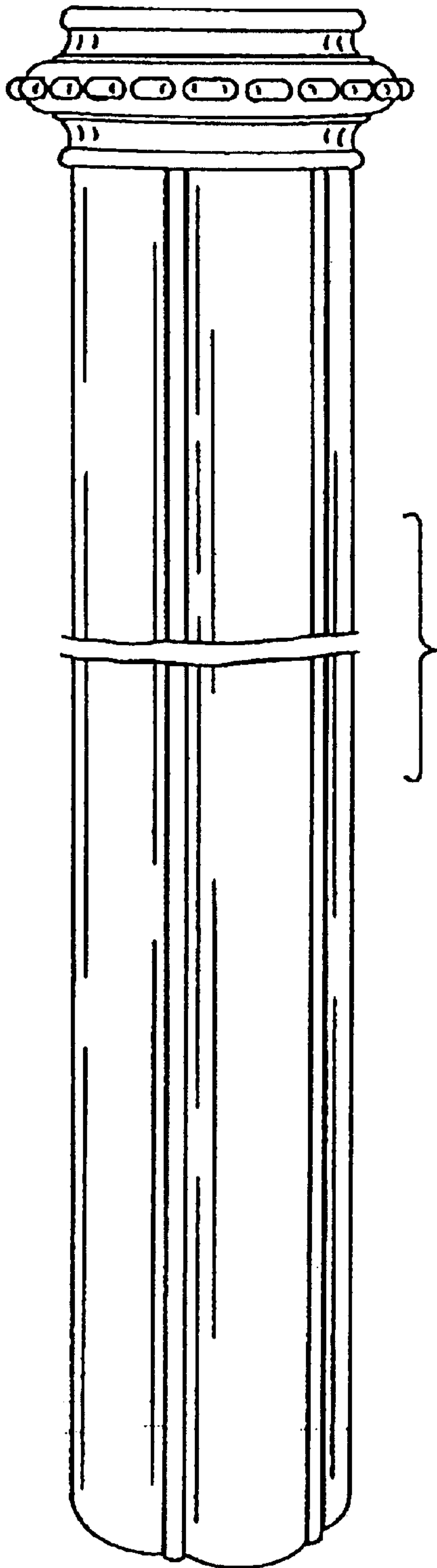
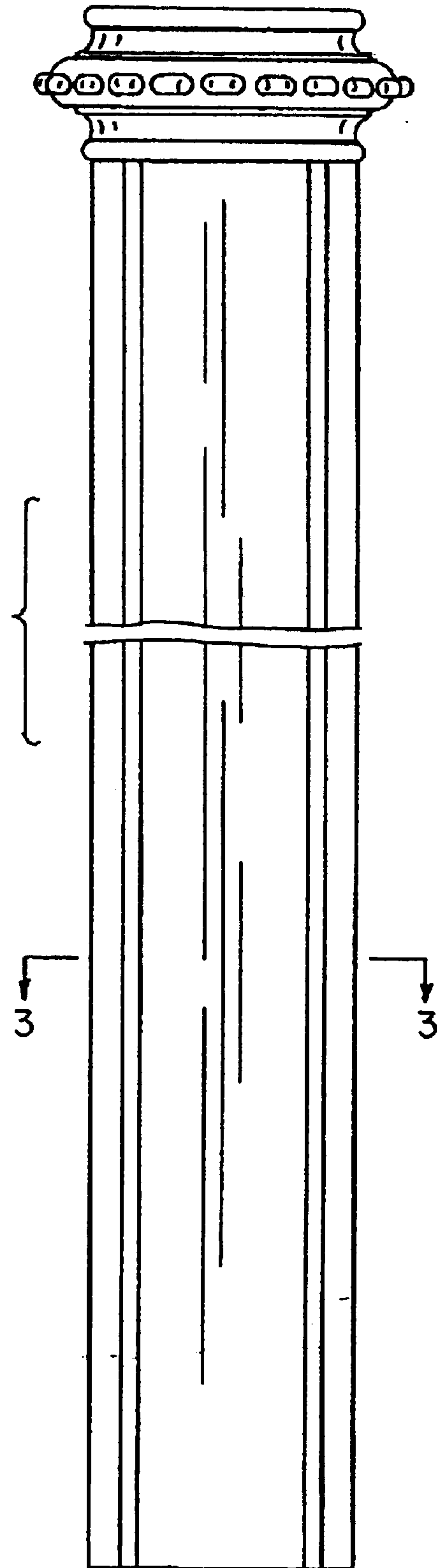


FIG. 2



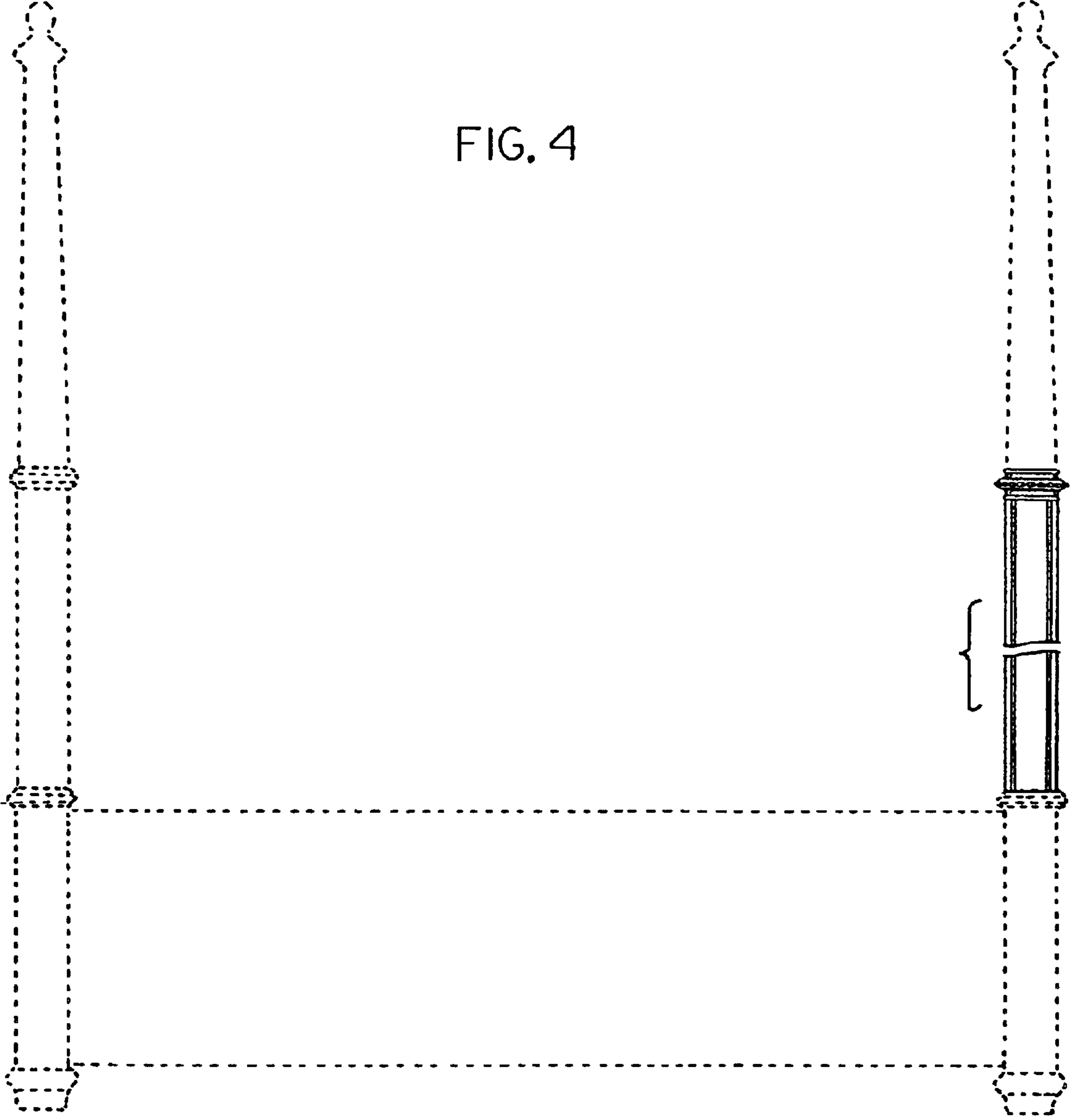


FIG. 4

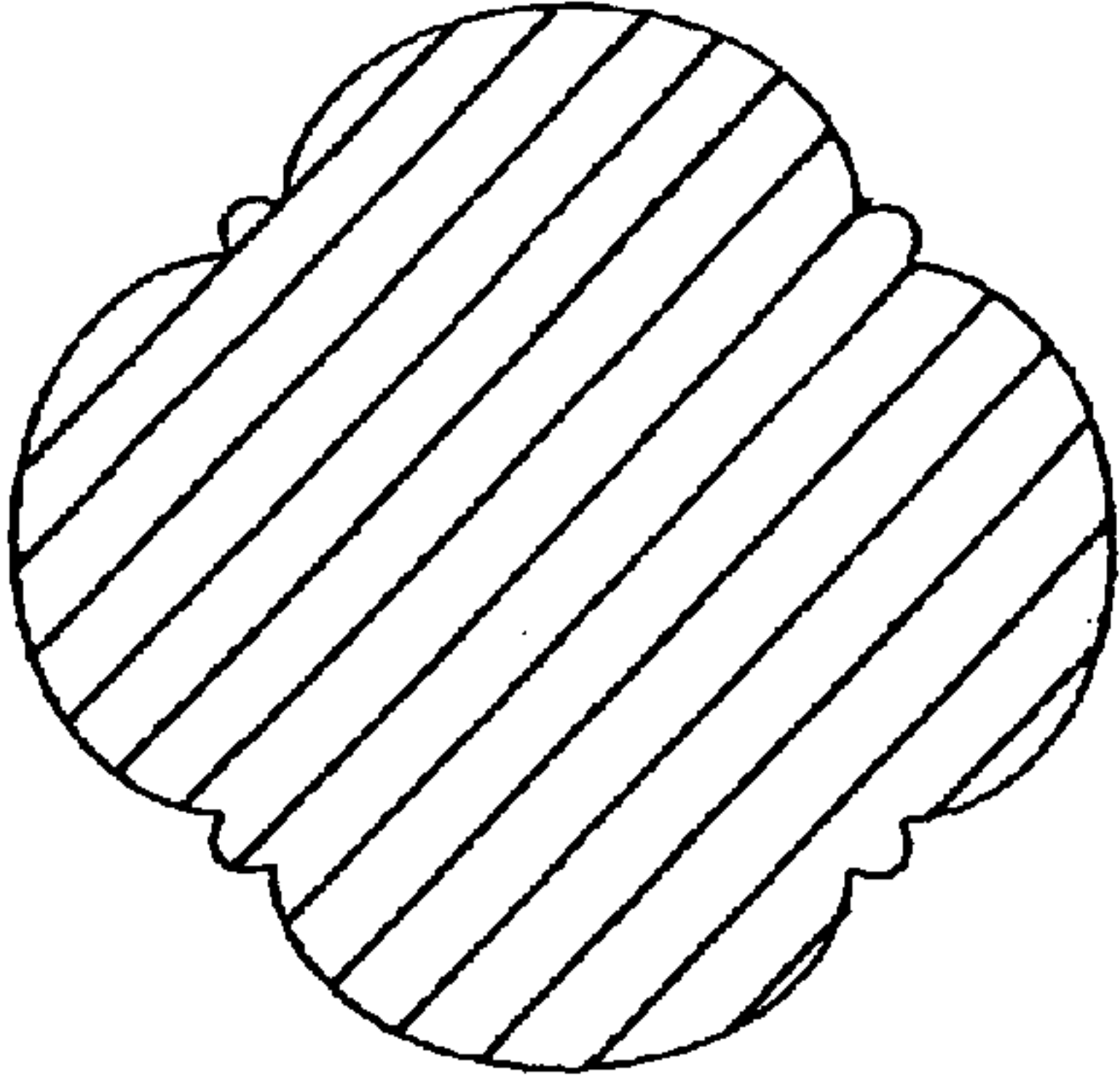


FIG. 3