

US00D499901S

(12) **United States Design Patent**  
**O'Hare**

(10) **Patent No.:** **US D499,901 S**

(45) **Date of Patent:** **\*\* Dec. 21, 2004**

(54) **CHEST**

D451,700 S 12/2001 Vaaler ..... D6/445  
D467,095 S \* 12/2002 Vaaler ..... D6/441  
D482,902 S \* 12/2003 Restemayer ..... D6/442

(75) **Inventor:** **Timothy M. O'Hare**, Oak Ridge, NC  
(US)

\* cited by examiner

(73) **Assignee:** **Bernhardt, L.L.C.**, Lenoir, NC (US)

*Primary Examiner*—Cathron Brooks

(\*\*) **Term:** **14 Years**

(74) *Attorney, Agent, or Firm*—MacCord Mason PLLC

(21) **Appl. No.:** **29/200,560**

(57) **CLAIM**

(22) **Filed:** **Mar. 1, 2004**

The ornamental design for a chest, as shown and described.

(51) **LOC (7) Cl.** ..... **06-04**

**DESCRIPTION**

(52) **U.S. Cl.** ..... **D6/446**

FIG. 1 is a front perspective view of a chest showing my new design;

(58) **Field of Search** ..... D6/439, 441, 444-447;  
312/114, 204, 224, 278-279

FIG. 2 is a front view thereof; and,

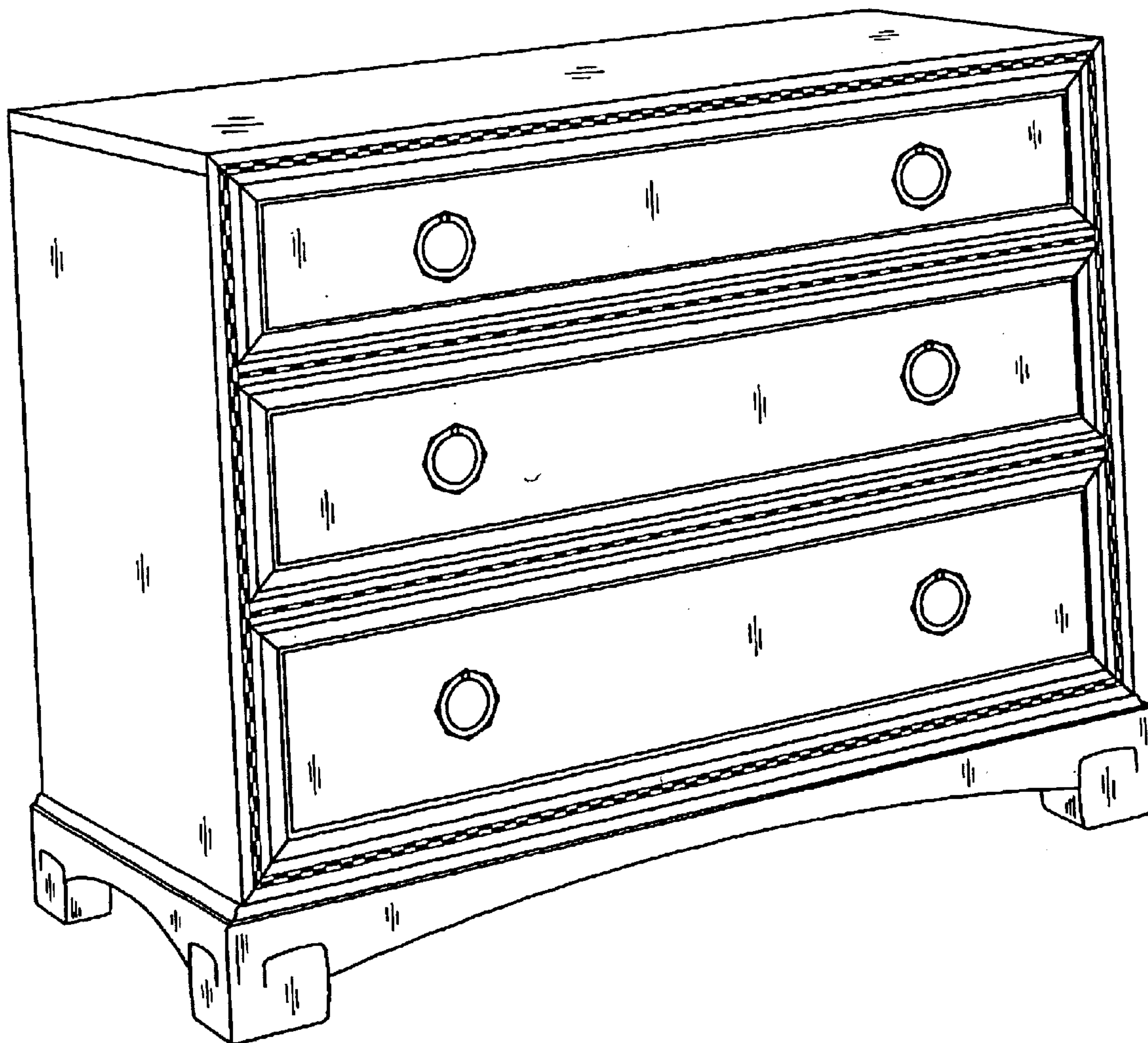
FIG. 3 is a side view, the opposite side being a mirror image thereof.

(56) **References Cited**

**U.S. PATENT DOCUMENTS**

D446,666 S \* 8/2001 Draheim et al. .... D6/446

**1 Claim, 3 Drawing Sheets**



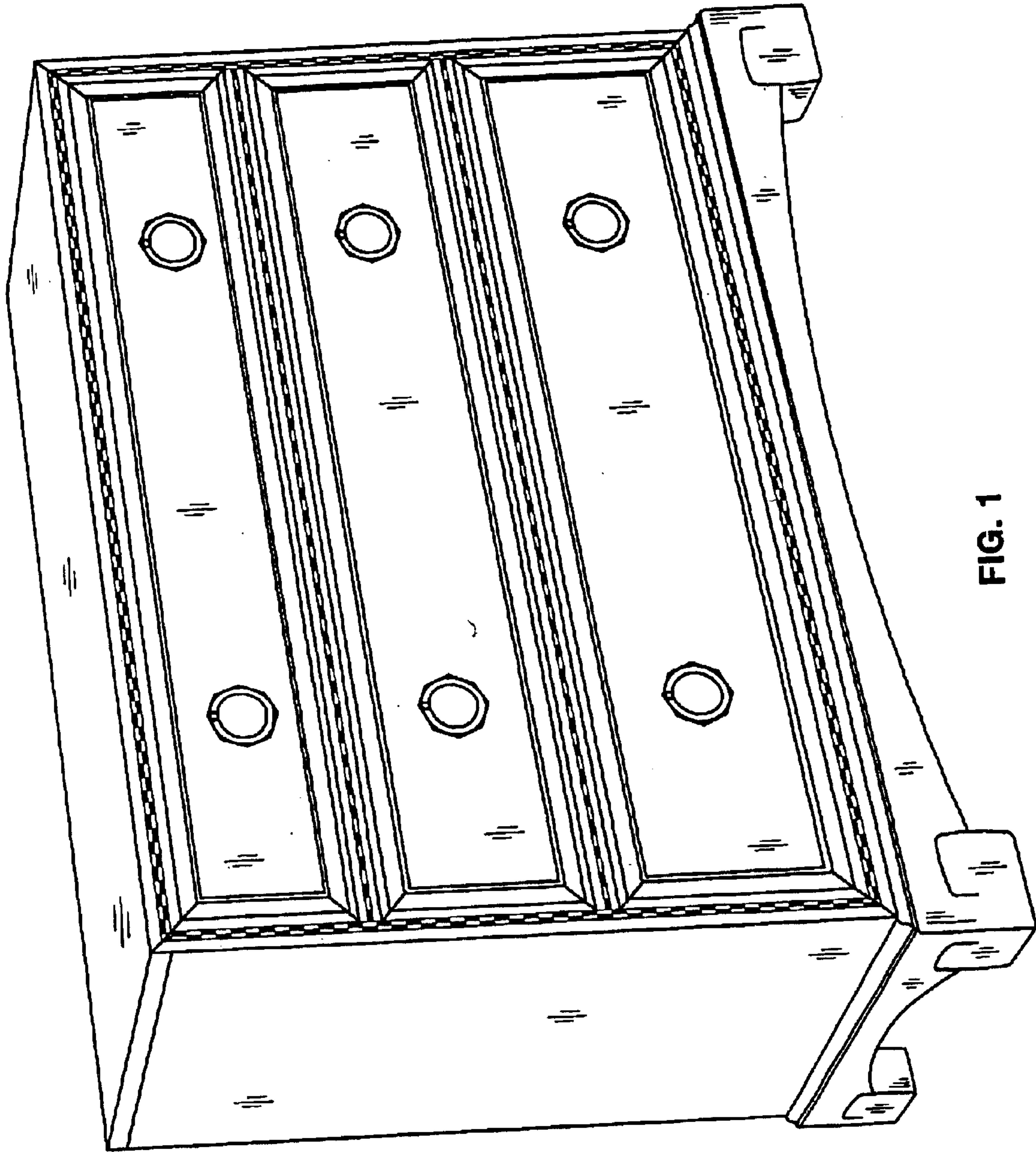


FIG. 1

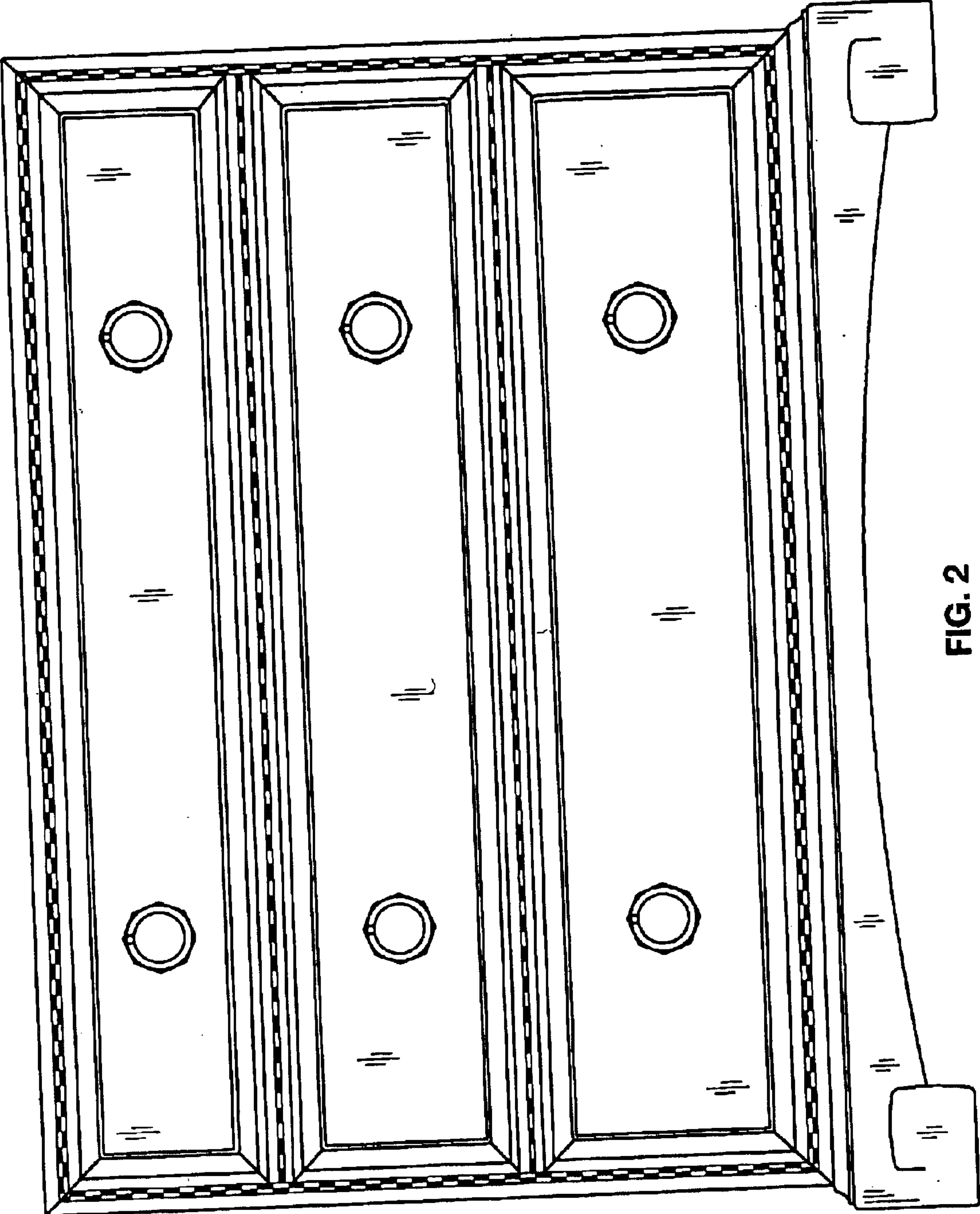


FIG. 2

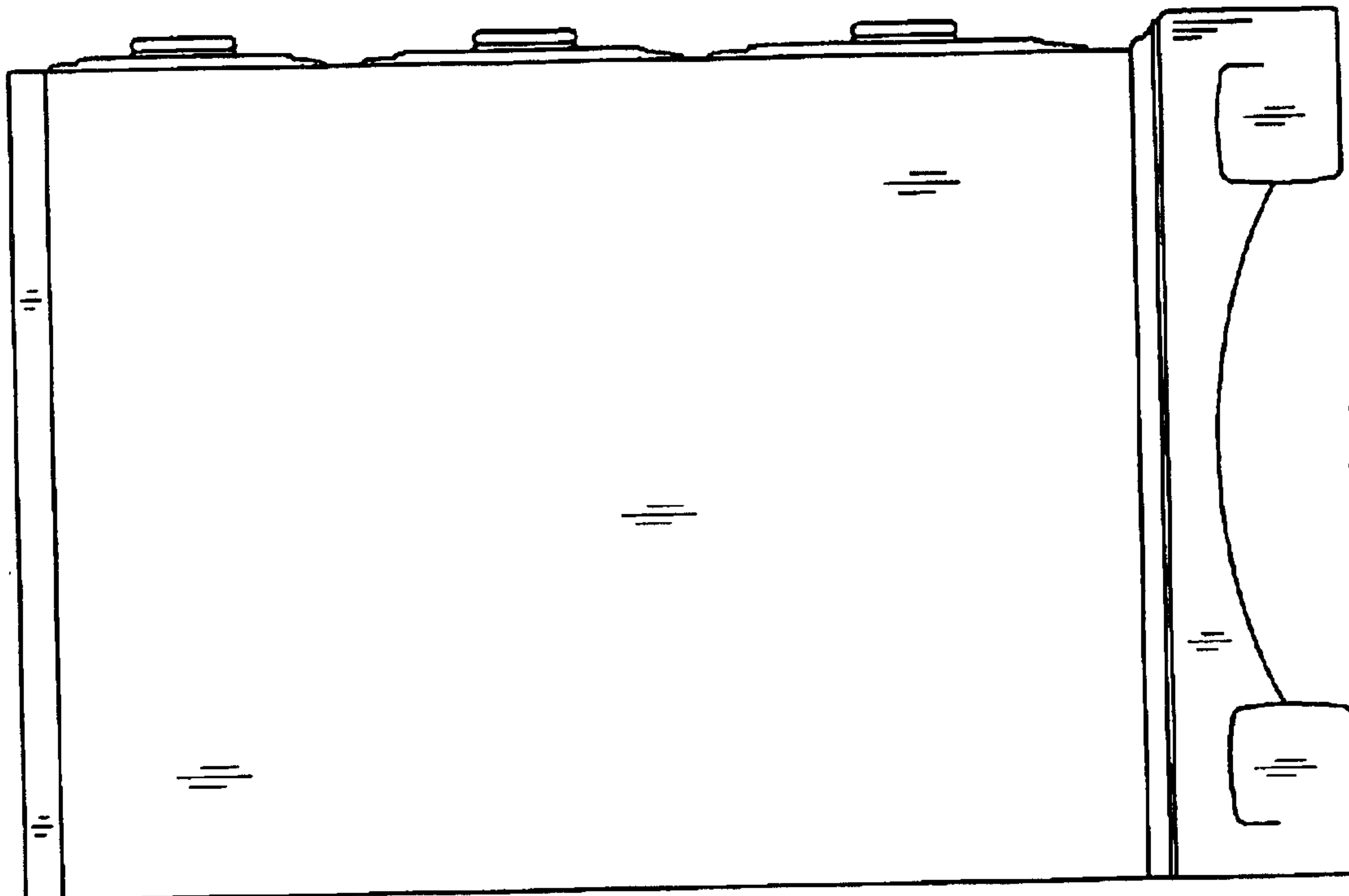


FIG. 3