

US00D499883S

(12) **United States Design Patent**  
**Perella et al.**

(10) **Patent No.:** **US D499,883 S**

(45) **Date of Patent:** **\*\* Dec. 21, 2004**

(54) **BRIEFCASE**

D414,037 S 9/1999 Akaike et al. .... D3/276  
D415,614 S \* 10/1999 Akaike et al. .... D3/276  
D439,044 S \* 3/2001 Cheng ..... D3/276

(75) Inventors: **Daniel Perella**, Hudson, OH (US);  
**Anthony DeCarlo**, Bay Village, OH  
(US); **Vincent Thomson**, Avon Lak,  
OH (US)

\* cited by examiner

*Primary Examiner*—Philip S. Hyder

(74) *Attorney, Agent, or Firm*—Pillsbury Winthrop LLC

(73) Assignee: **Ideastream Consumer Products LLC**,  
Parma, OH (US)

(57) **CLAIM**

(\*\*) Term: **14 Years**

The ornamental design for a briefcase, as shown and described.

(21) Appl. No.: **29/182,112**

**DESCRIPTION**

(22) Filed: **May 21, 2003**

(51) **LOC (7) Cl.** ..... **03-01**

(52) **U.S. Cl.** ..... **D3/276; D3/900**

(58) **Field of Search** ..... D3/273, 276, 281,  
D3/291, 294, 900; 190/37, 100, 126, 127,  
900

FIG. 1 is a perspective view of a briefcase embodying our new design;

FIG. 2 is a left side profile view of the briefcase of FIG. 1;

FIG. 3 is a right side profile view of the briefcase of FIG. 1;

FIG. 4 is a front elevational view of the briefcase of FIG. 1;

FIG. 5 is a rear elevational view of the briefcase of FIG. 1;

FIG. 6 is a top plan view of the briefcase of FIG. 1;

FIG. 7 is a bottom plan view of the briefcase of FIG. 1;

FIG. 8 is a perspective view of an alternative embodiment of a briefcase embodying our new design, with unclaimed portions of the briefcase shown in broken lines;

FIG. 9 is a left side profile view of the briefcase of FIG. 8;

FIG. 10 is a right side profile view of the briefcase of FIG. 8;

FIG. 11 is a front elevational view of the briefcase of FIG. 8;

FIG. 12 is a rear elevational view of the briefcase of FIG. 8;

FIG. 13 is a top plan view of the briefcase of FIG. 8; and,

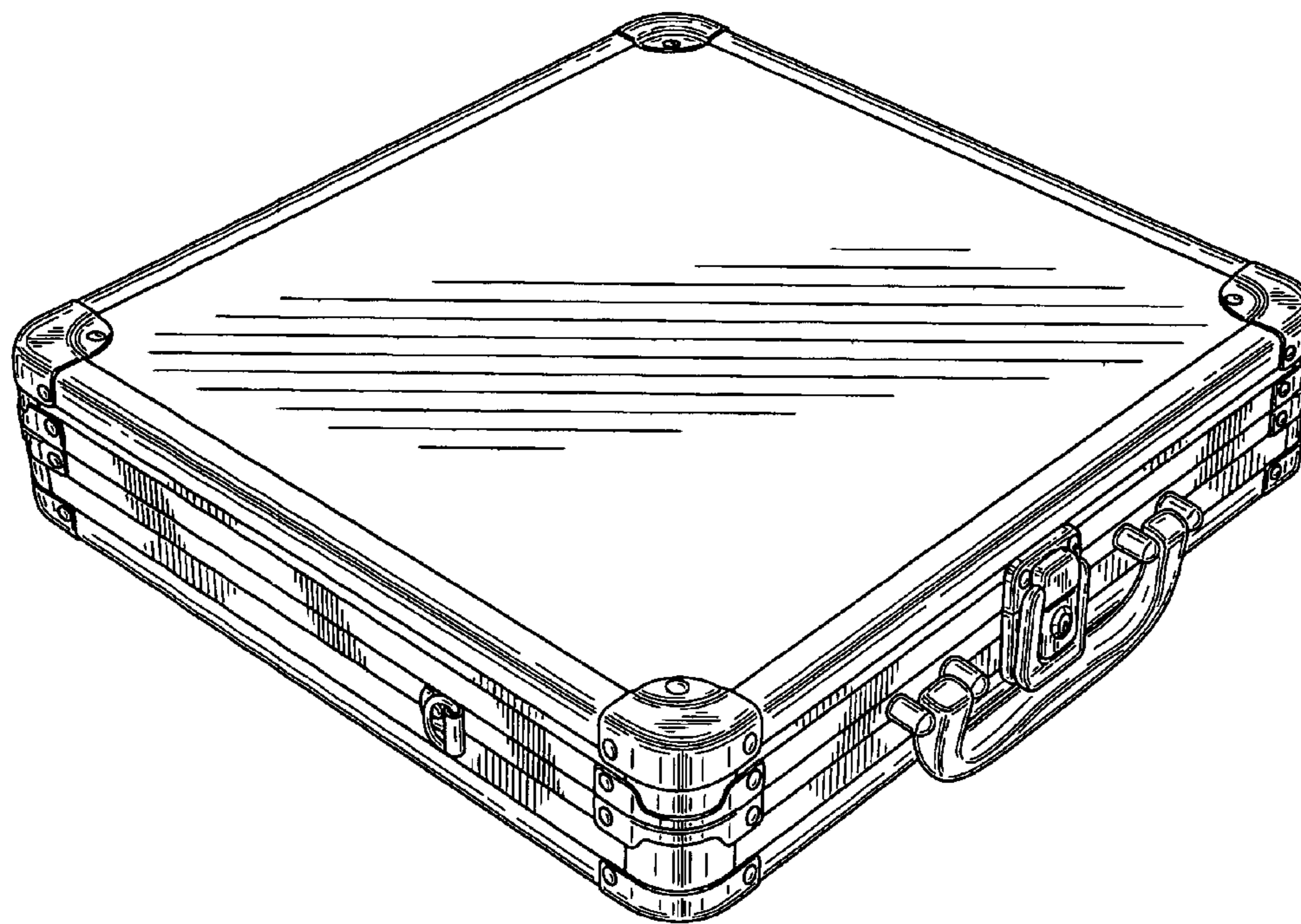
FIG. 14 is a bottom plan view of the briefcase of FIG. 8.

(56) **References Cited**

**U.S. PATENT DOCUMENTS**

D247,993 S	5/1978	Calzone, III	.....	D3/204
4,509,622 A	* 4/1985	Morszeck	.....	190/119
D285,626 S	9/1986	Yen	.....	D3/292
D287,429 S	12/1986	Esslinger	.....	D3/292
D288,863 S	3/1987	Vuitton	.....	D3/289
D296,153 S	6/1988	Reichow	.....	D6/631
D308,137 S	* 5/1990	Grecchi	.....	D3/292
5,000,301 A	* 3/1991	Grenier	.....	190/127
D329,134 S	* 9/1992	Tokuda et al.	.....	D3/292
D331,663 S	* 12/1992	Roncato	.....	D3/292
D378,164 S	2/1997	Lee	.....	D3/276
D401,408 S	* 11/1998	Sun et al.	.....	D3/276

**1 Claim, 10 Drawing Sheets**



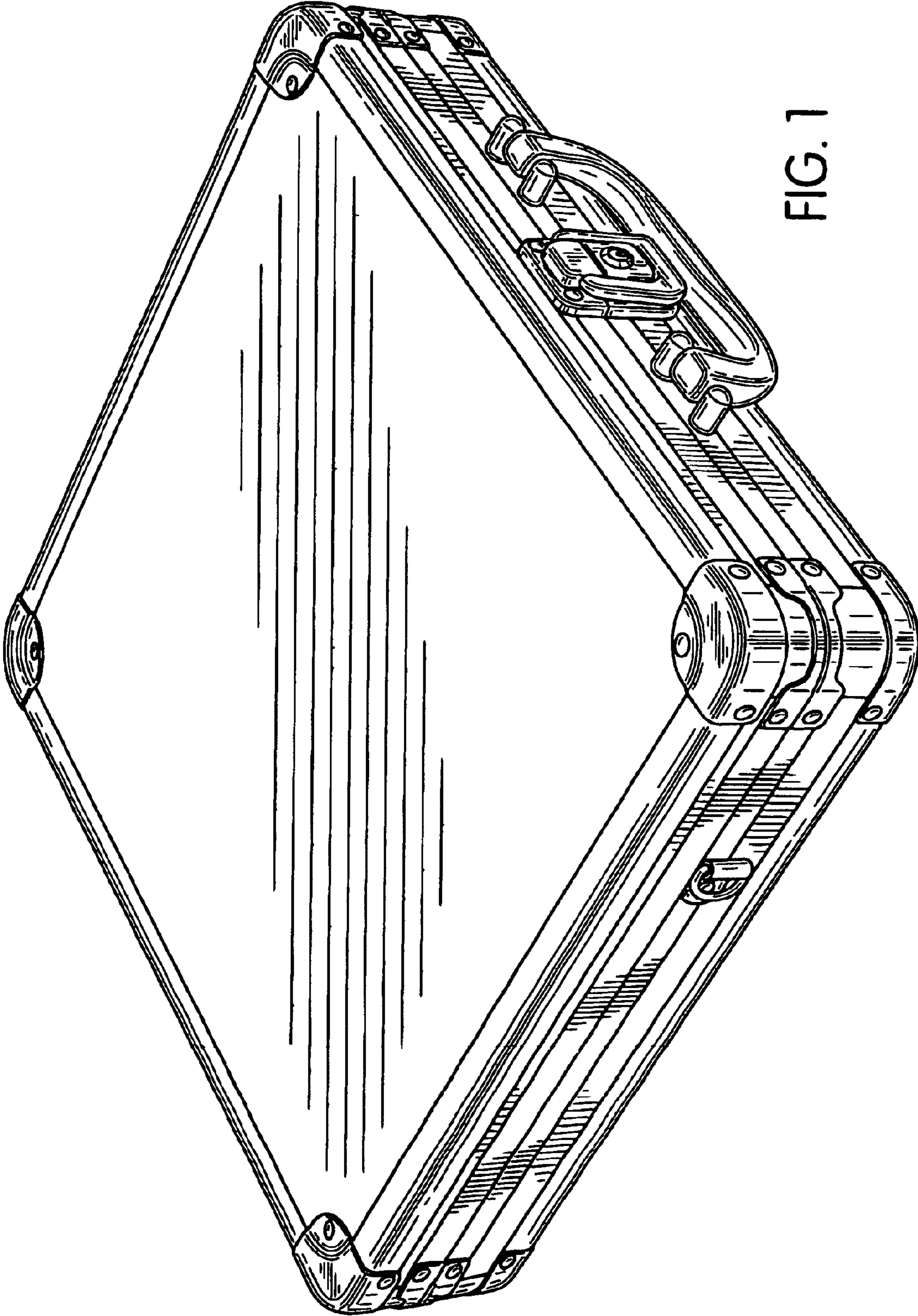


FIG. 1

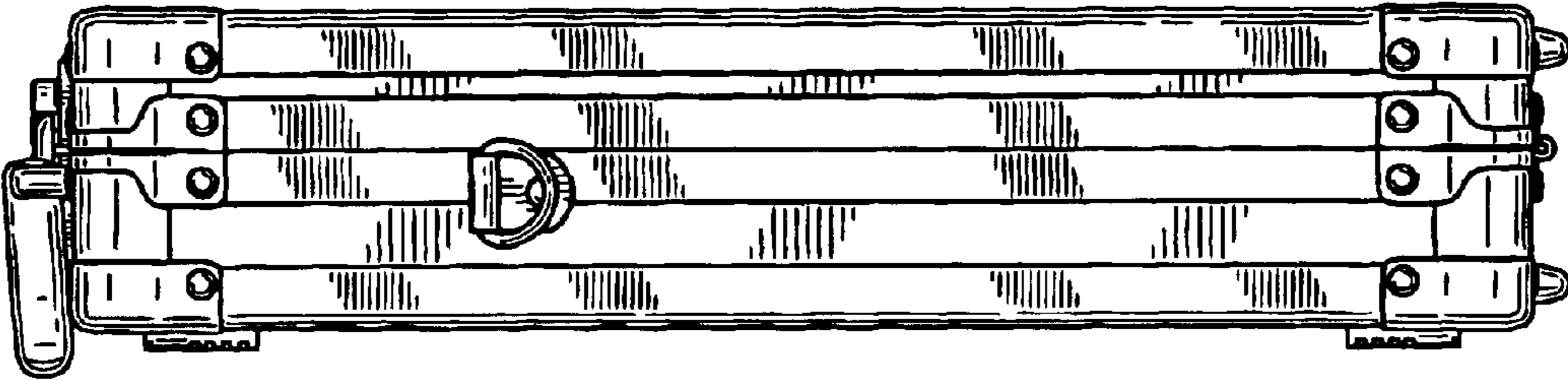


FIG. 2

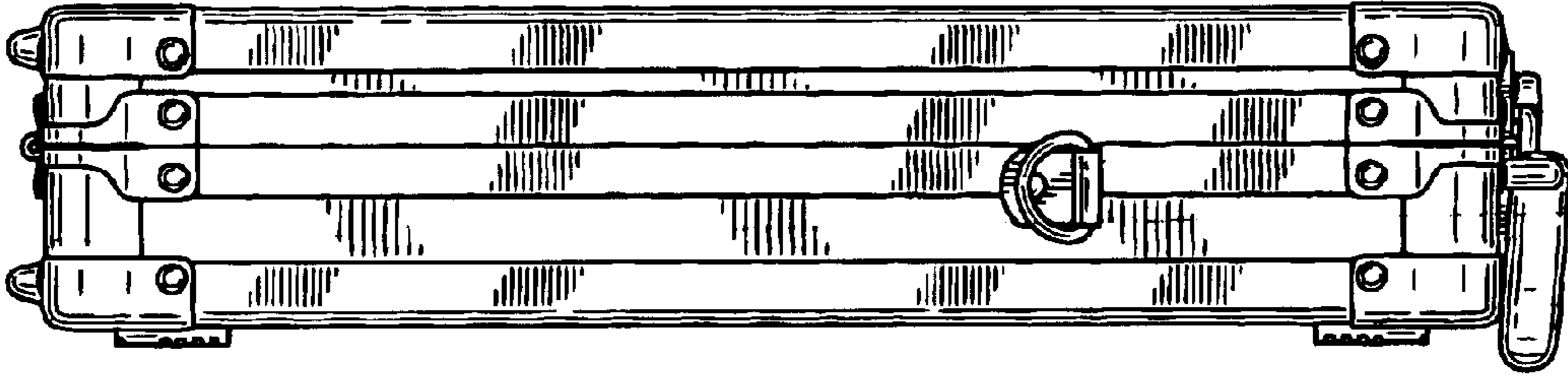


FIG. 3



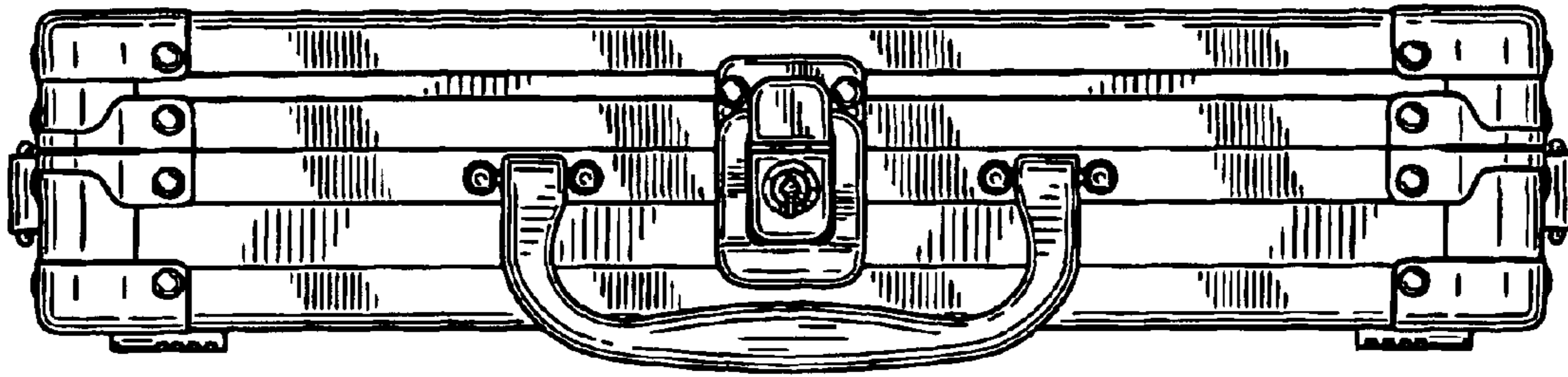


FIG. 4

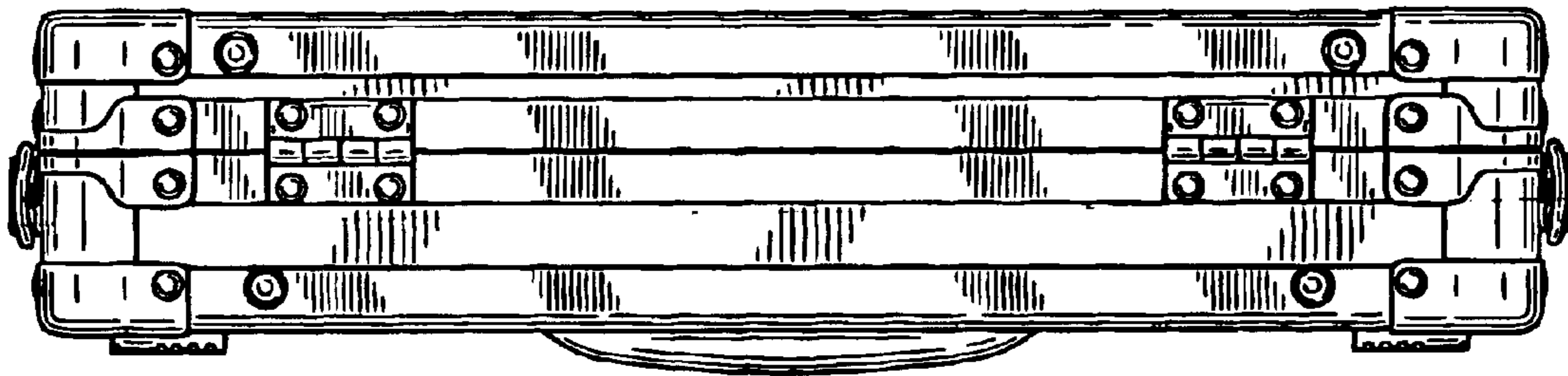


FIG. 5

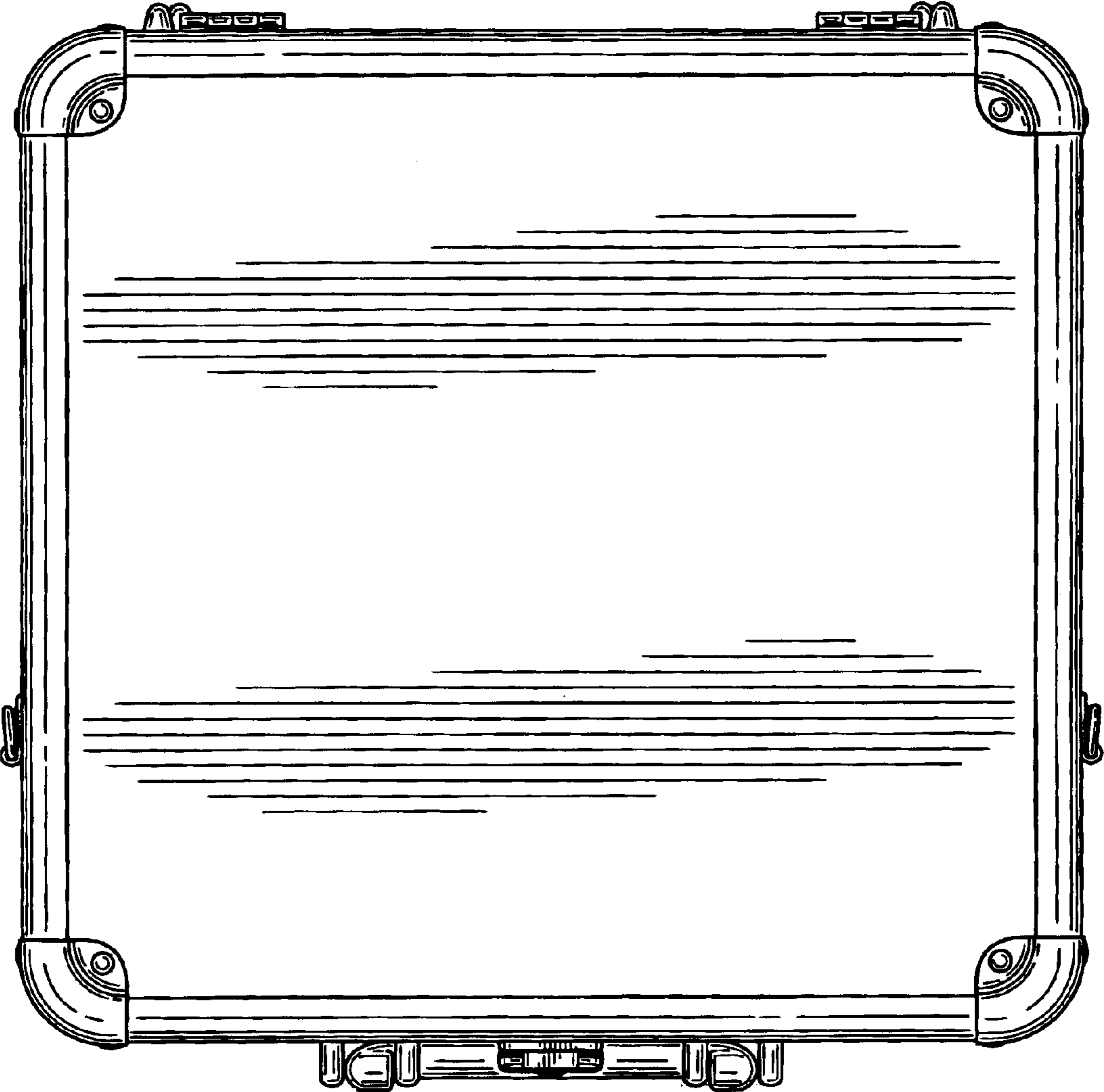


FIG. 6

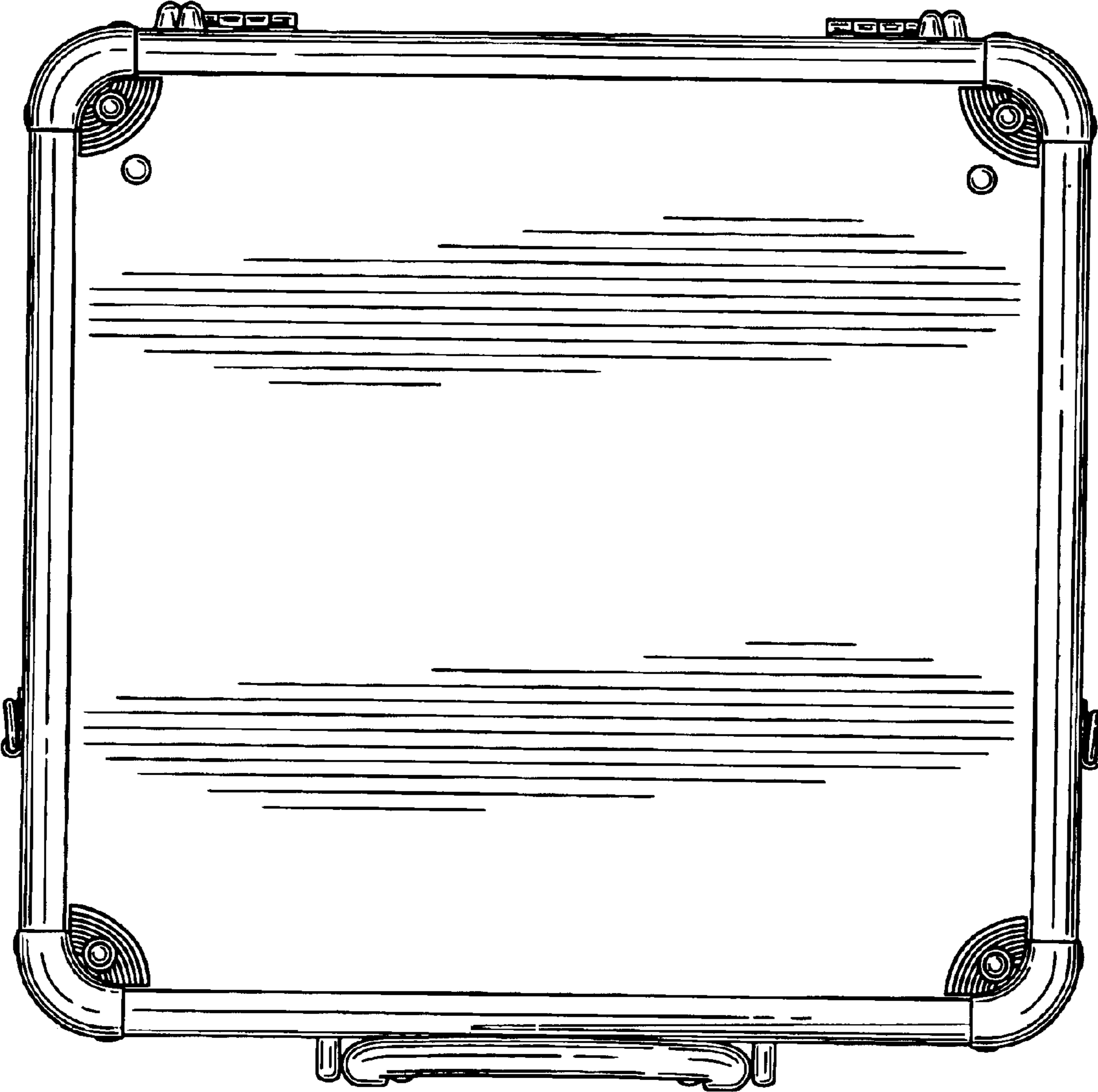


FIG. 7

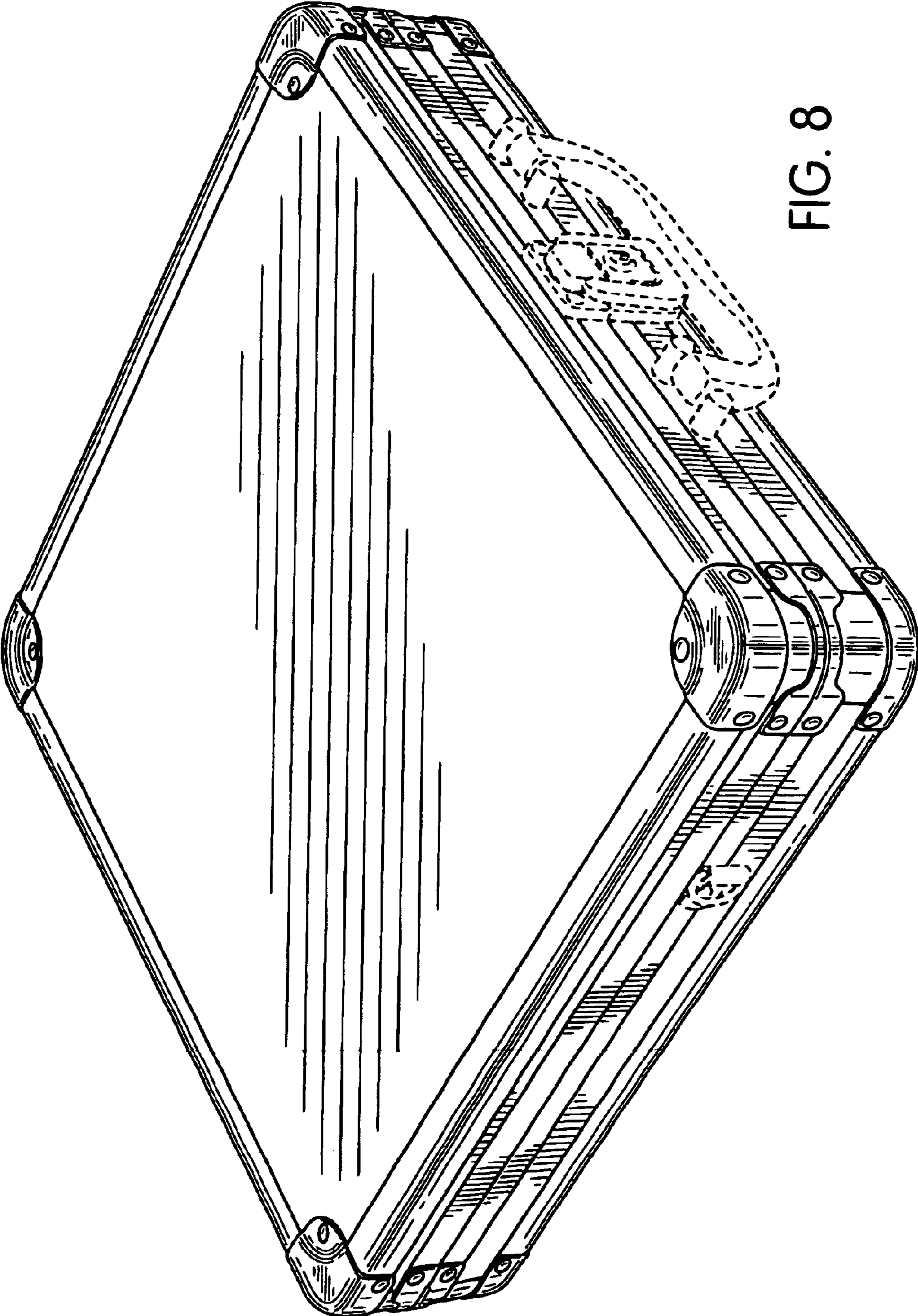


FIG. 8

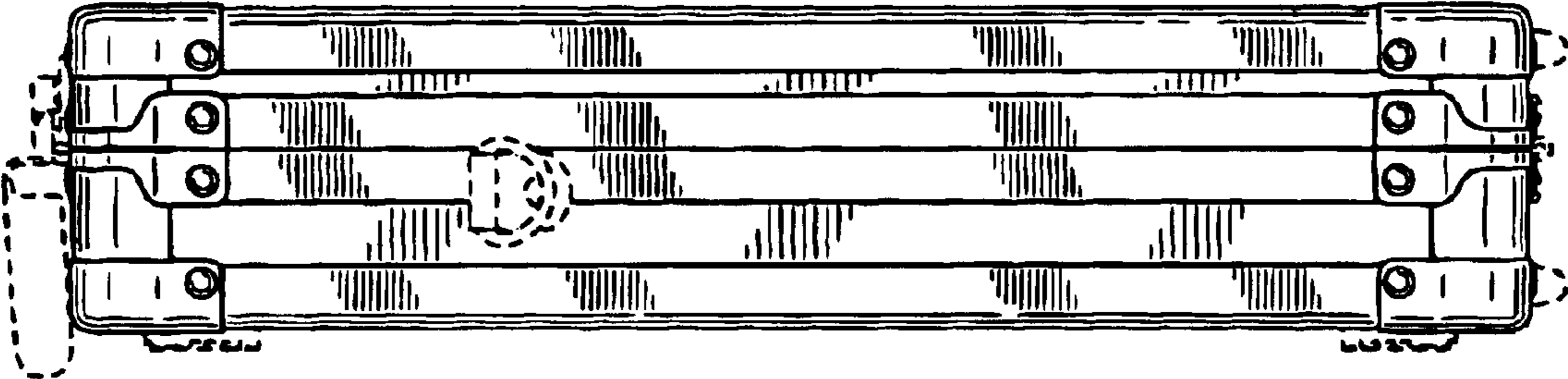


FIG. 9

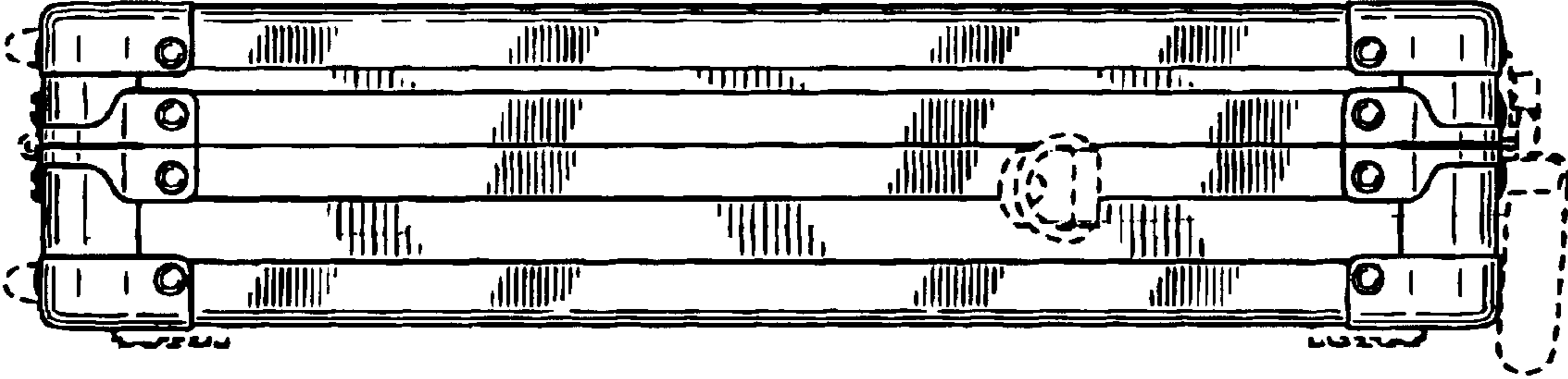


FIG. 10



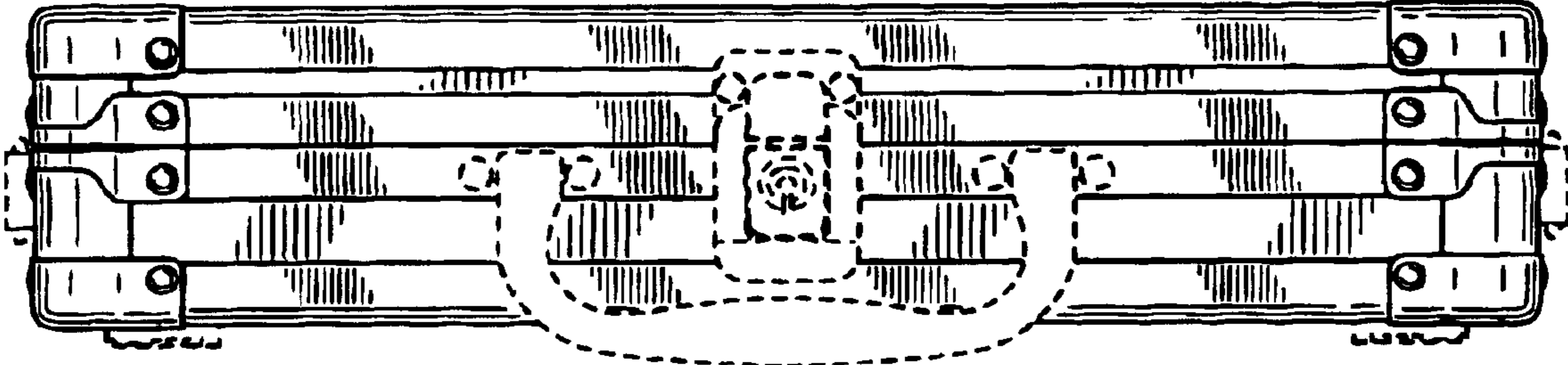


FIG. 11

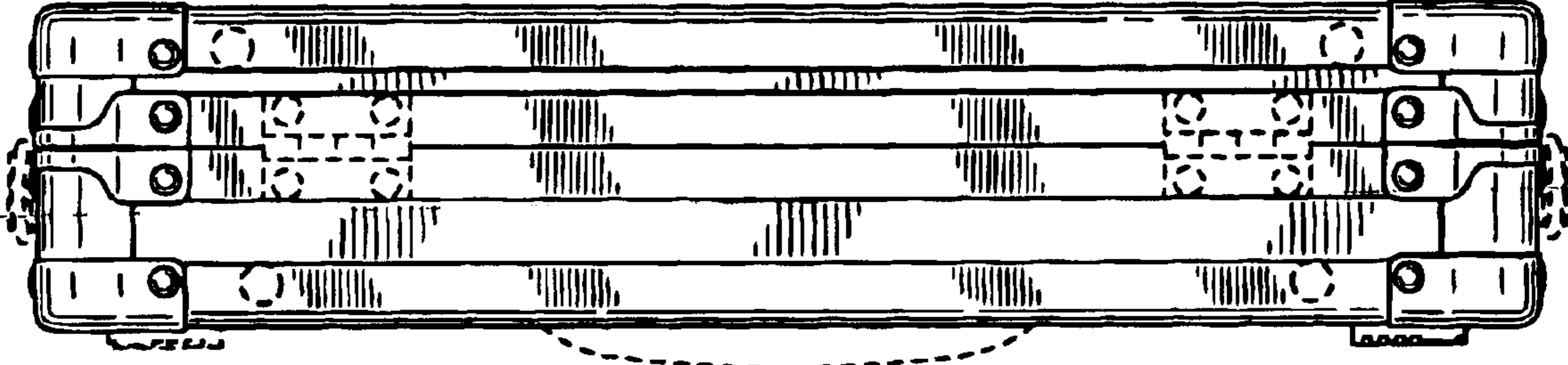


FIG. 12

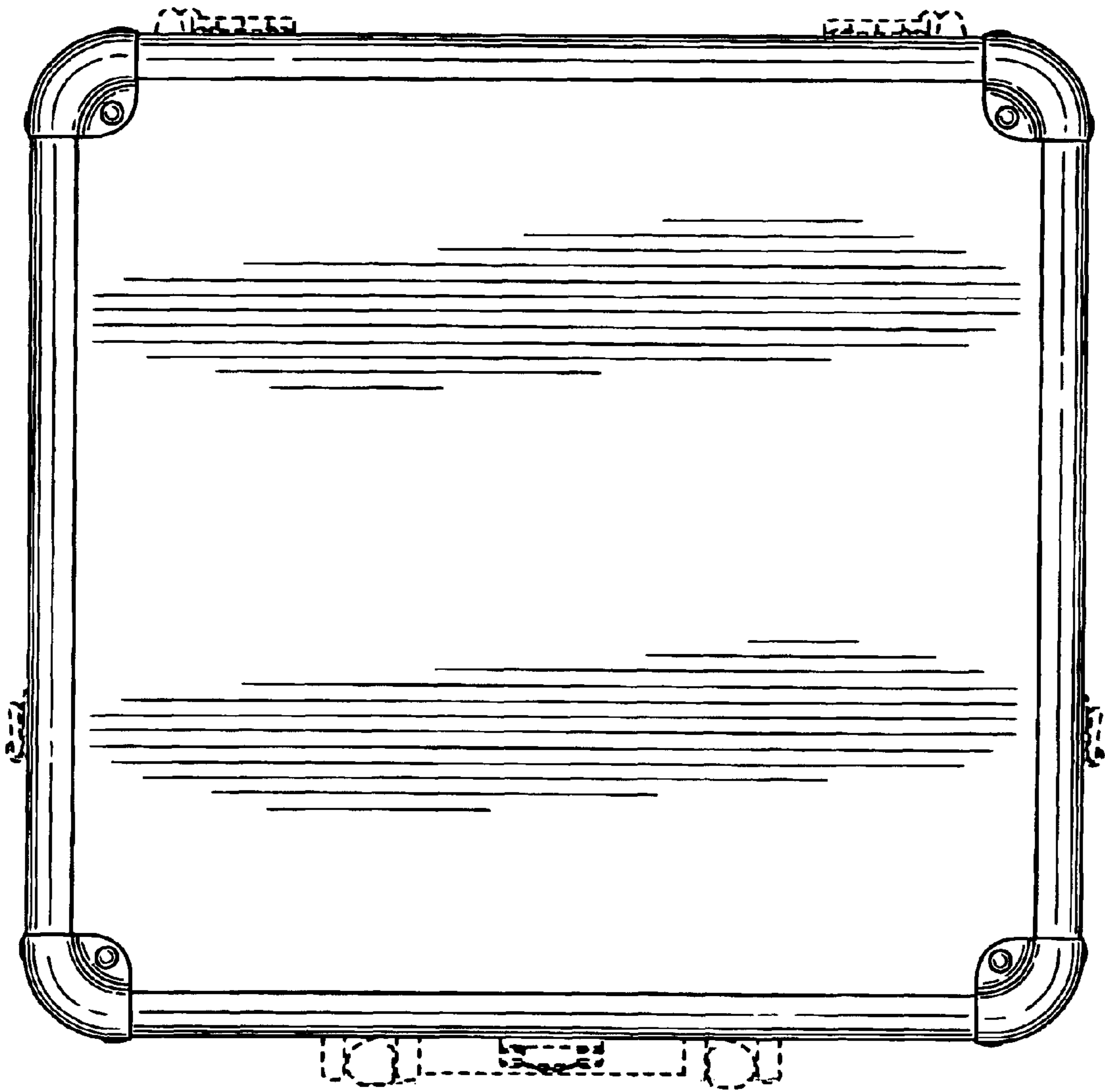


FIG. 13

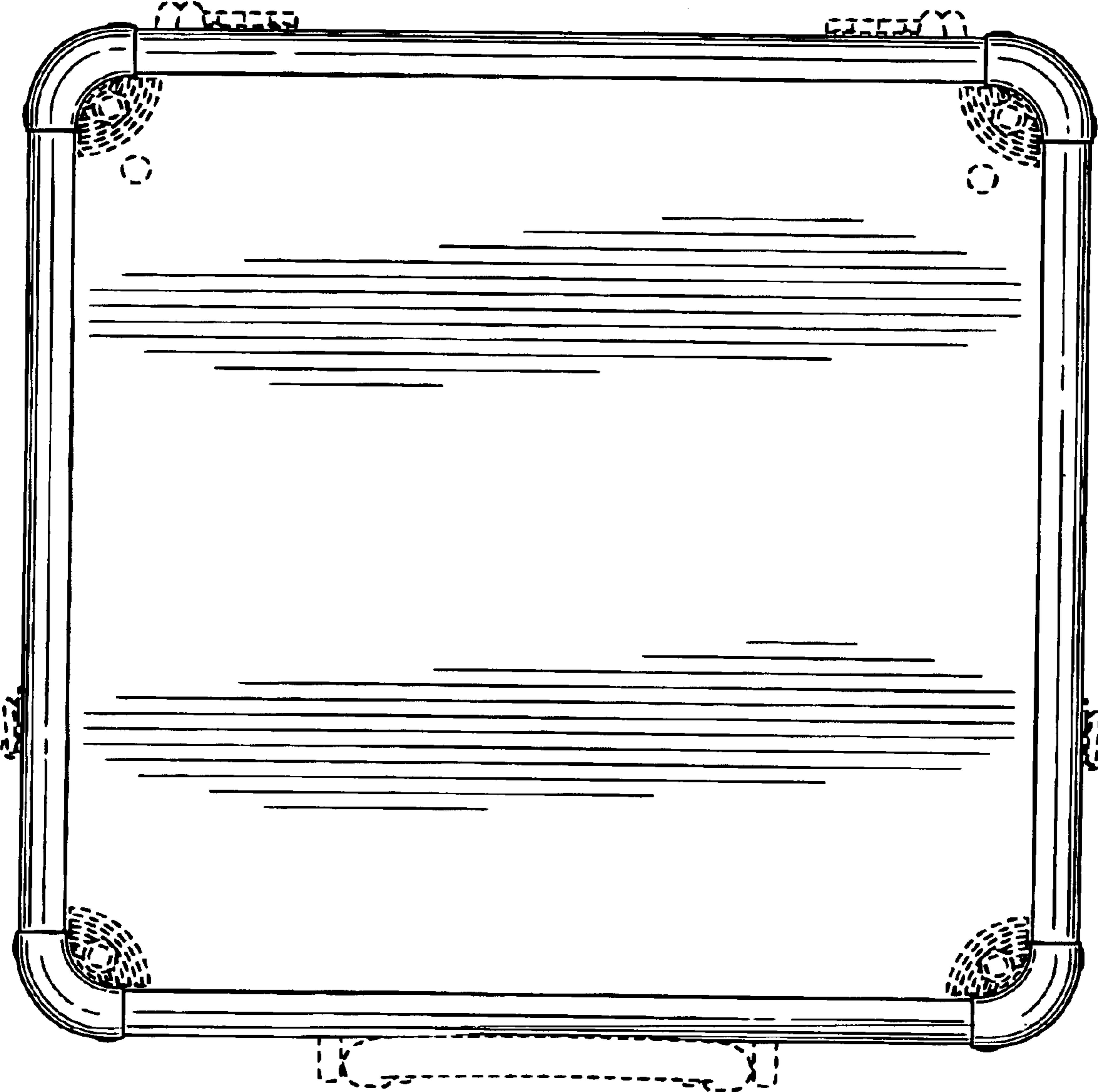


FIG. 14