



US00D499882S

(12) **United States Design Patent**  
**Baclawski**

(10) **Patent No.:** **US D499,882 S**

(45) **Date of Patent:** **\*\* Dec. 21, 2004**

(54) **BACKPACK AND FRONTPACK WITH  
RELEASABLE SHOULDER AND WAIST  
STRAPS**

(76) **Inventor:** **Bonnie Baclawski**, 7860 Barcaglia Rd.,  
Sebastopol, CA (US) 95472

(\*\*) **Term:** **14 Years**

(21) **Appl. No.:** **29/201,767**

(22) **Filed:** **Mar. 19, 2004**

(51) **LOC (7) Cl.** ..... **03-01**

(52) **U.S. Cl.** ..... **D3/216**

(58) **Field of Search** ..... D3/216, 217, 242;  
224/153, 155, 578, 582, 579, 636; 2/647;  
D12/416

- 6,336,576 B1 \* 1/2002 Easter
- 6,347,406 B1 \* 2/2002 Jones et al. .... 2/69
- D463,659 S \* 10/2002 Clark et al. .... D3/216
- 6,619,519 B1 \* 9/2003 Nix et al. .... 224/153
- D485,432 S \* 1/2004 Desrochers
- D487,189 S \* 3/2004 Ukitsu et al.
- D489,174 S \* 5/2004 Shigenaka

\* cited by examiner

*Primary Examiner*—Celia A. Murphy

(74) *Attorney, Agent, or Firm*—George W. Wasson

(57) **CLAIM**

The ornamental design for a backpack and frontpack with releasable shoulder and waist straps, as shown and described.

**DESCRIPTION**

FIG. 1 is a front elevational view of a backpack and frontpack with releasable shoulder and waist straps showing my new design;

FIG. 2 is a rear elevational view thereof;

FIG. 3 is a left side elevational view thereof;

FIG. 4 is a right side elevational view thereof;

FIG. 5 is a top plan view thereof; and,

FIG. 6 is a bottom plan view thereof.

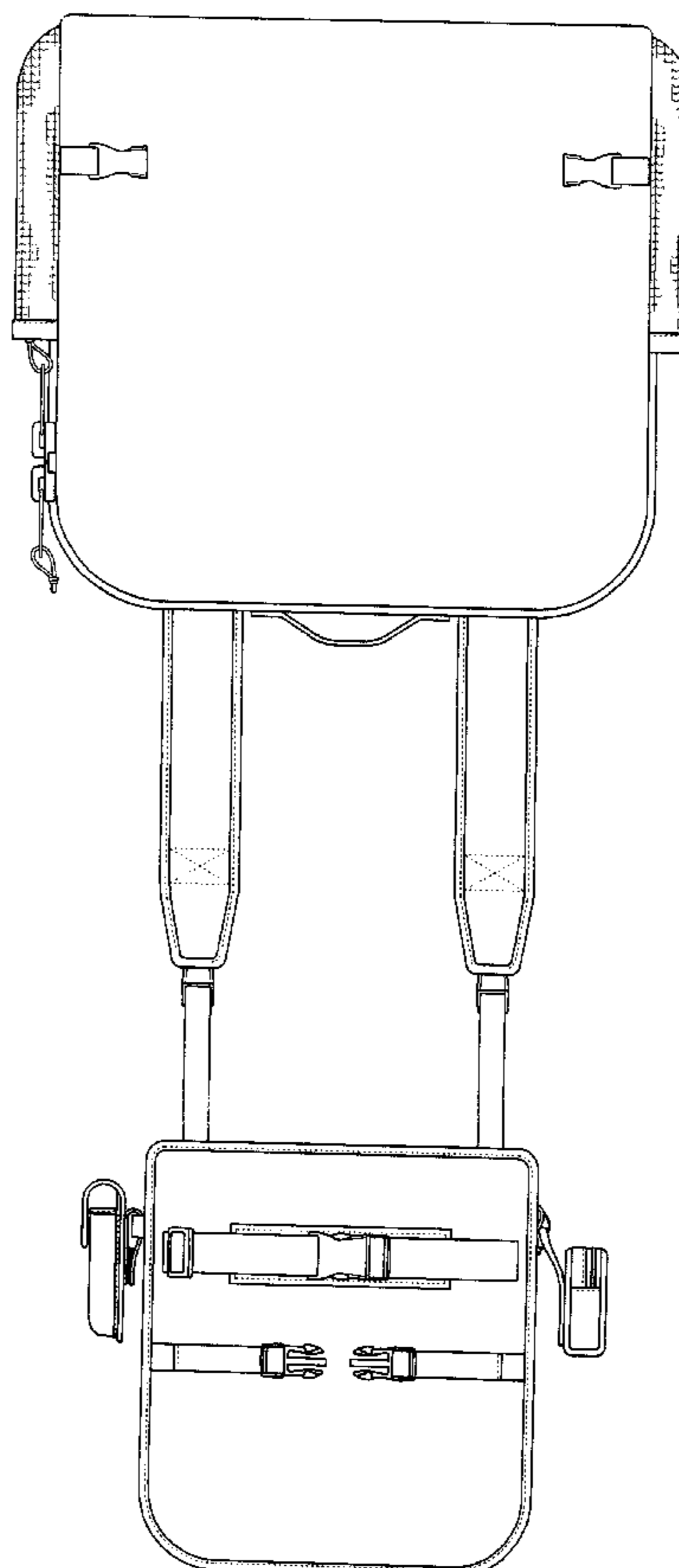
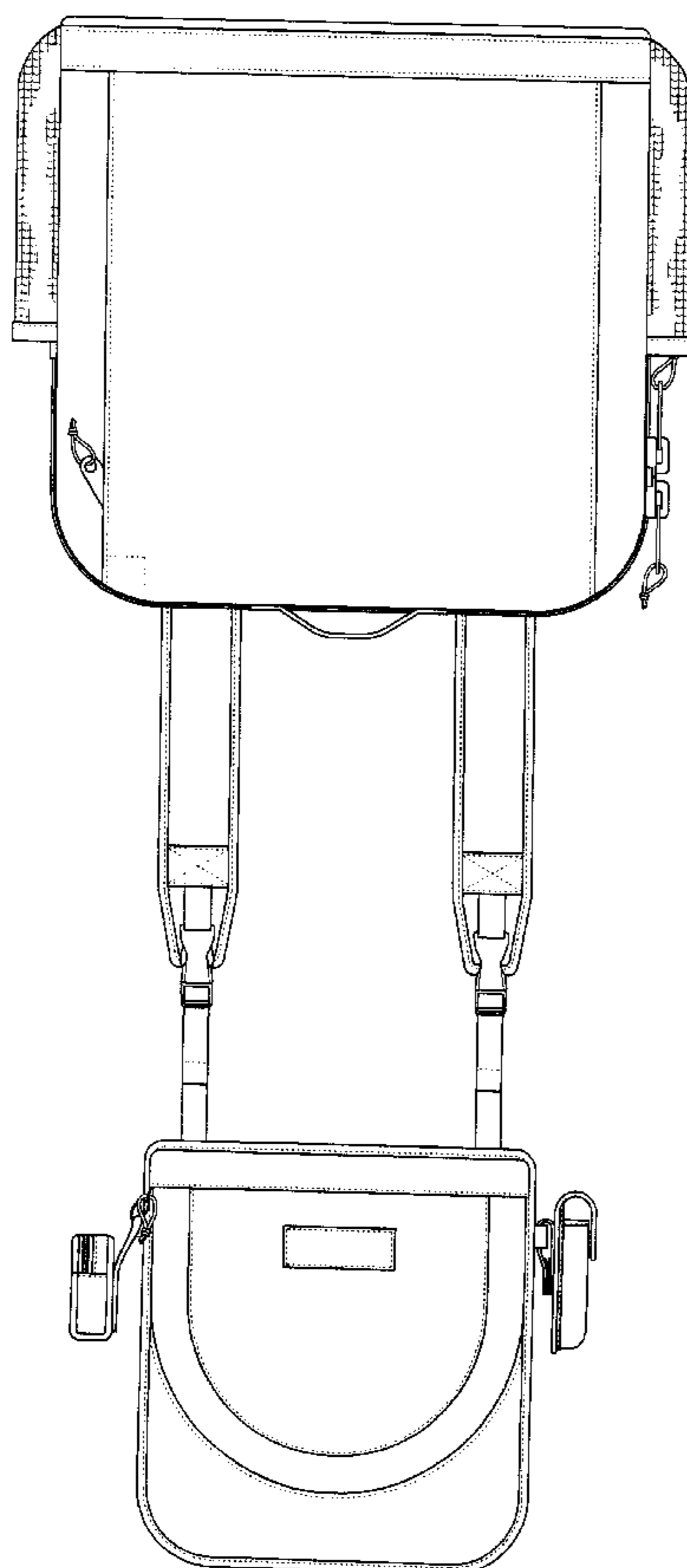
The broken lines shown on the surface of the pack throughout the drawings are understood to represent stitching.

**1 Claim, 4 Drawing Sheets**

(56) **References Cited**

**U.S. PATENT DOCUMENTS**

- D222,647 S \* 11/1971 Cornelius
- 4,887,751 A \* 12/1989 Lehman
- 5,603,441 A \* 2/1997 Easter ..... 224/582
- D387,198 S \* 12/1997 Lehmann et al. .... D3/217
- D404,910 S \* 2/1999 Schober ..... D3/216
- 5,927,575 A \* 7/1999 Gatling ..... 224/153
- 5,950,896 A \* 9/1999 Theodore ..... 224/647
- 5,988,465 A \* 11/1999 Vitale et al. .... 224/155
- D446,008 S \* 8/2001 Schulze ..... D3/216



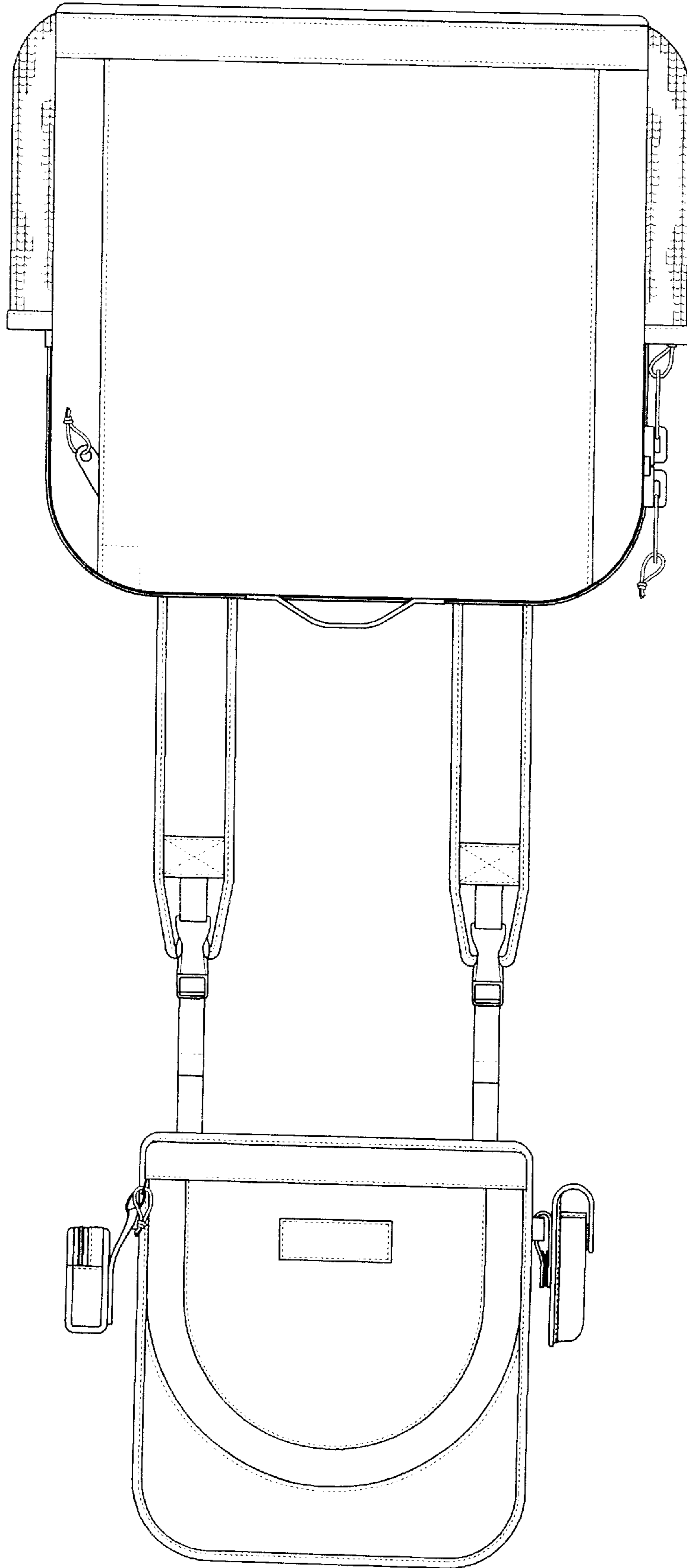


FIG. 1

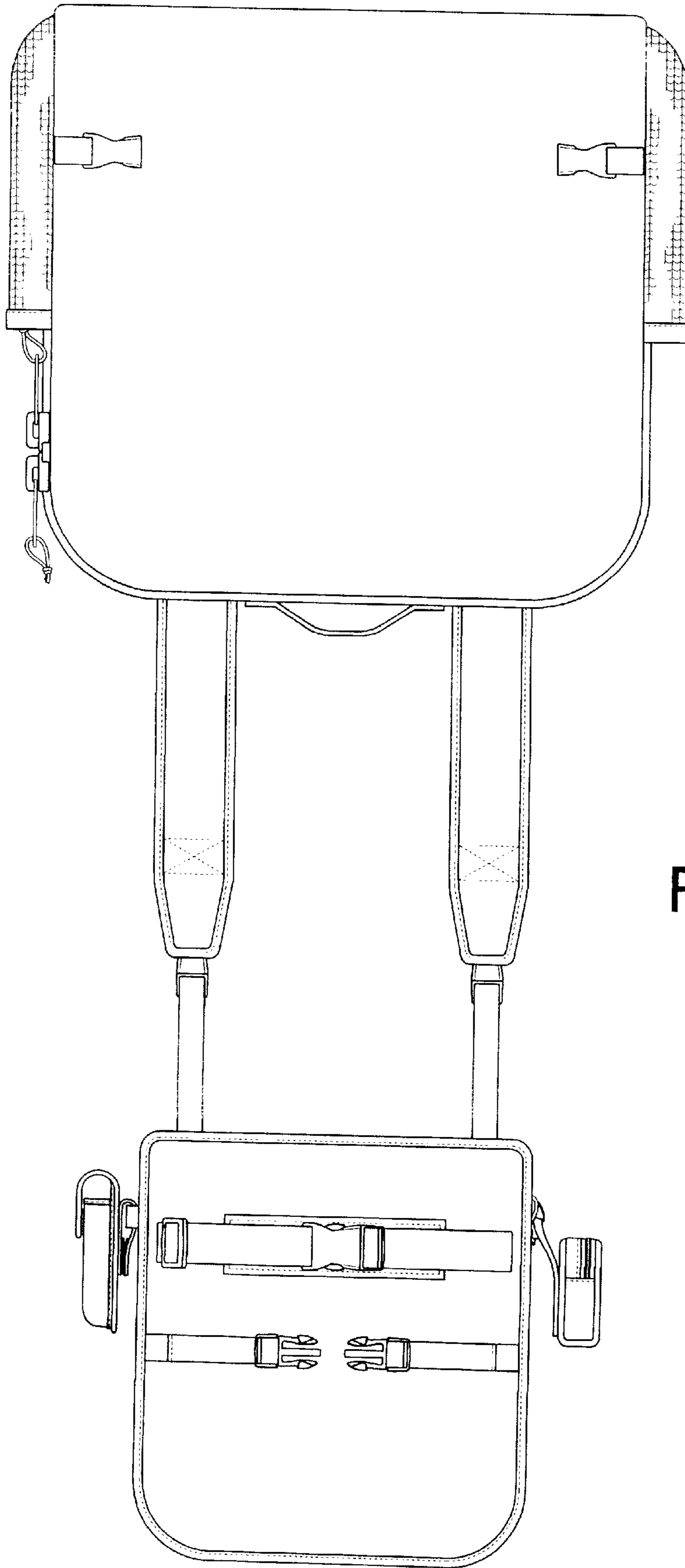


FIG.2

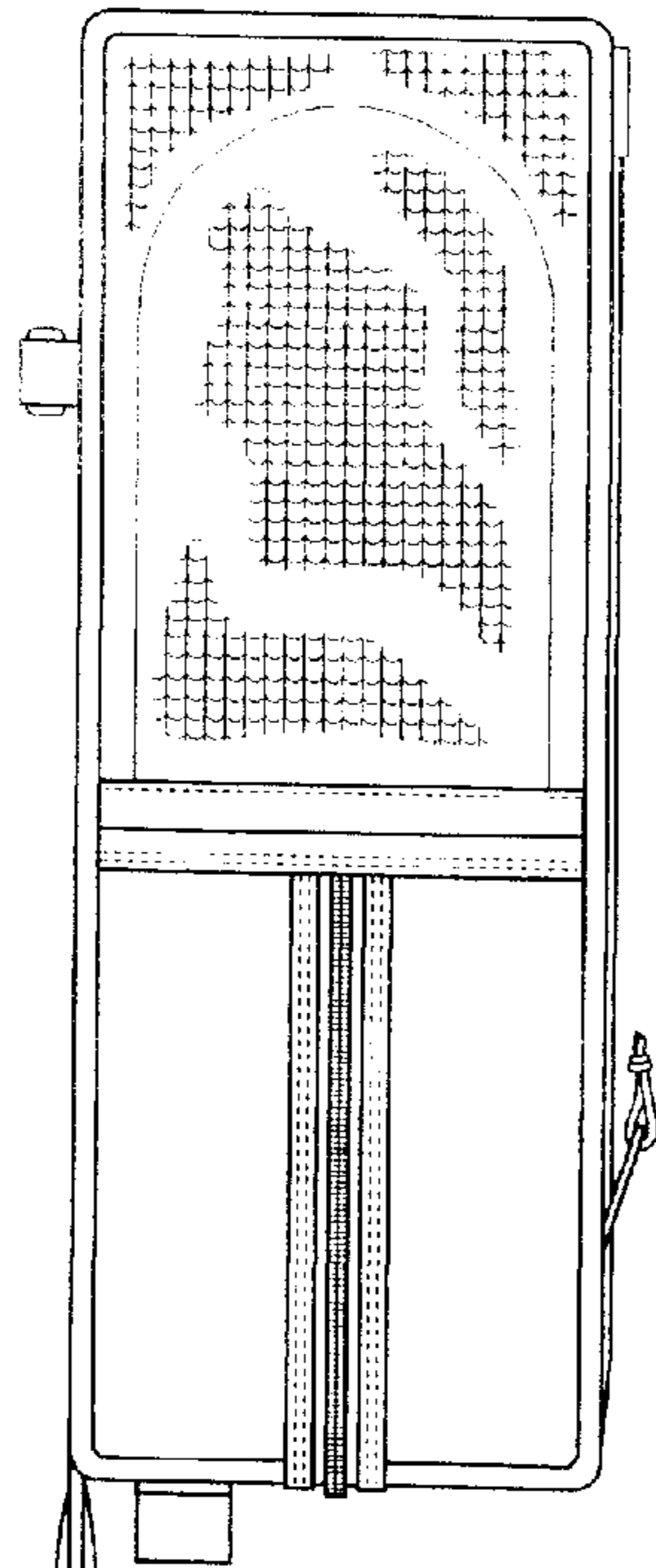


FIG. 3

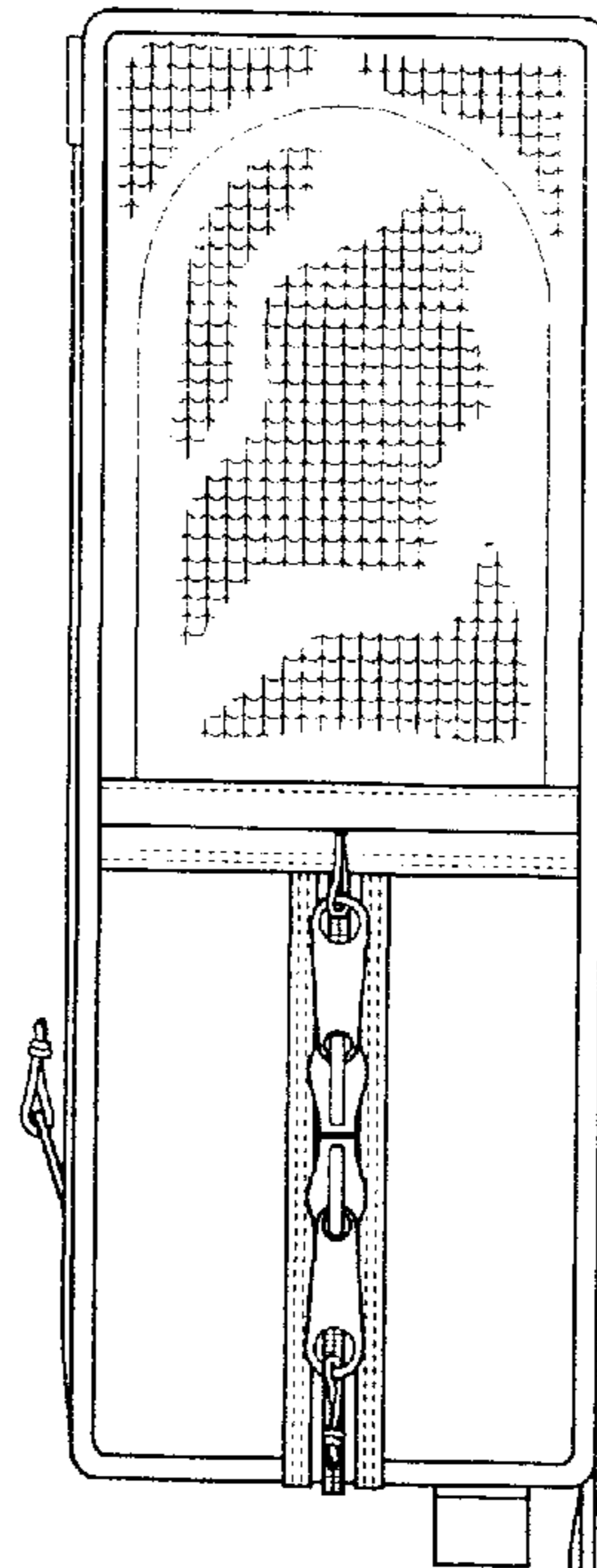
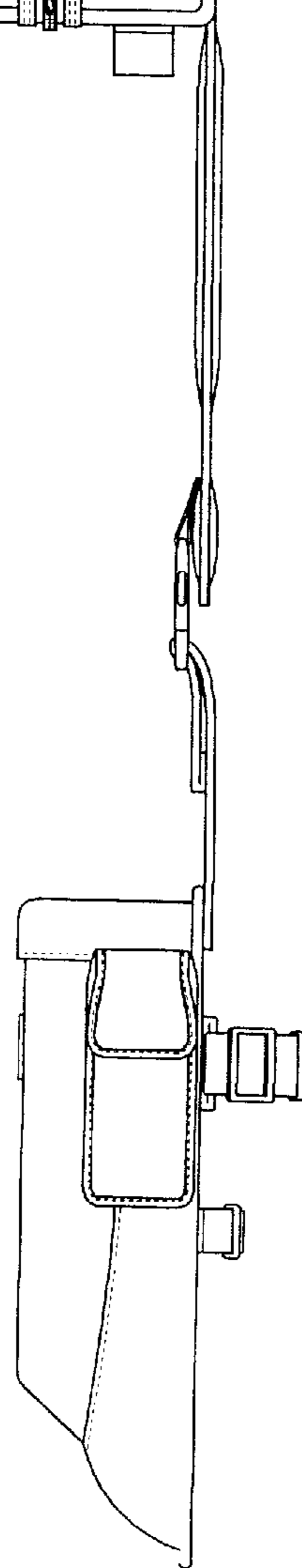
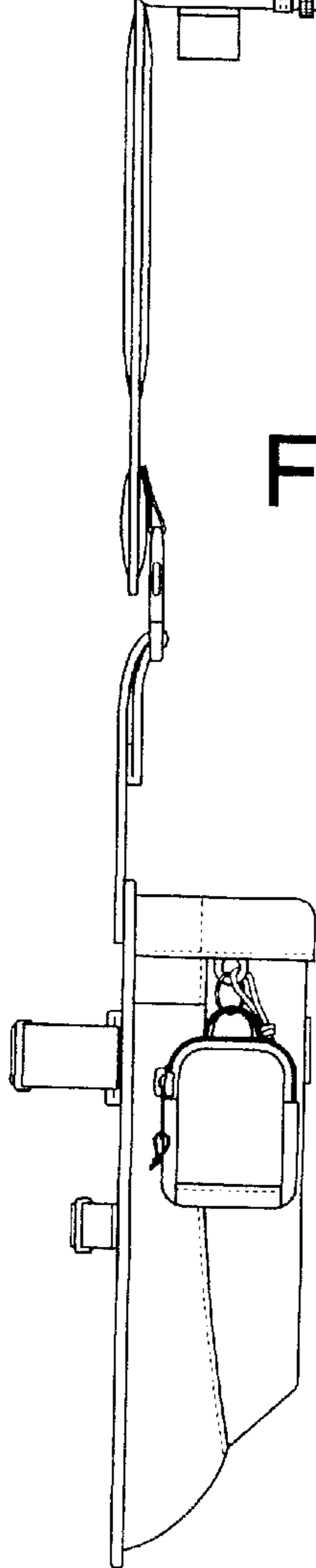


FIG. 4



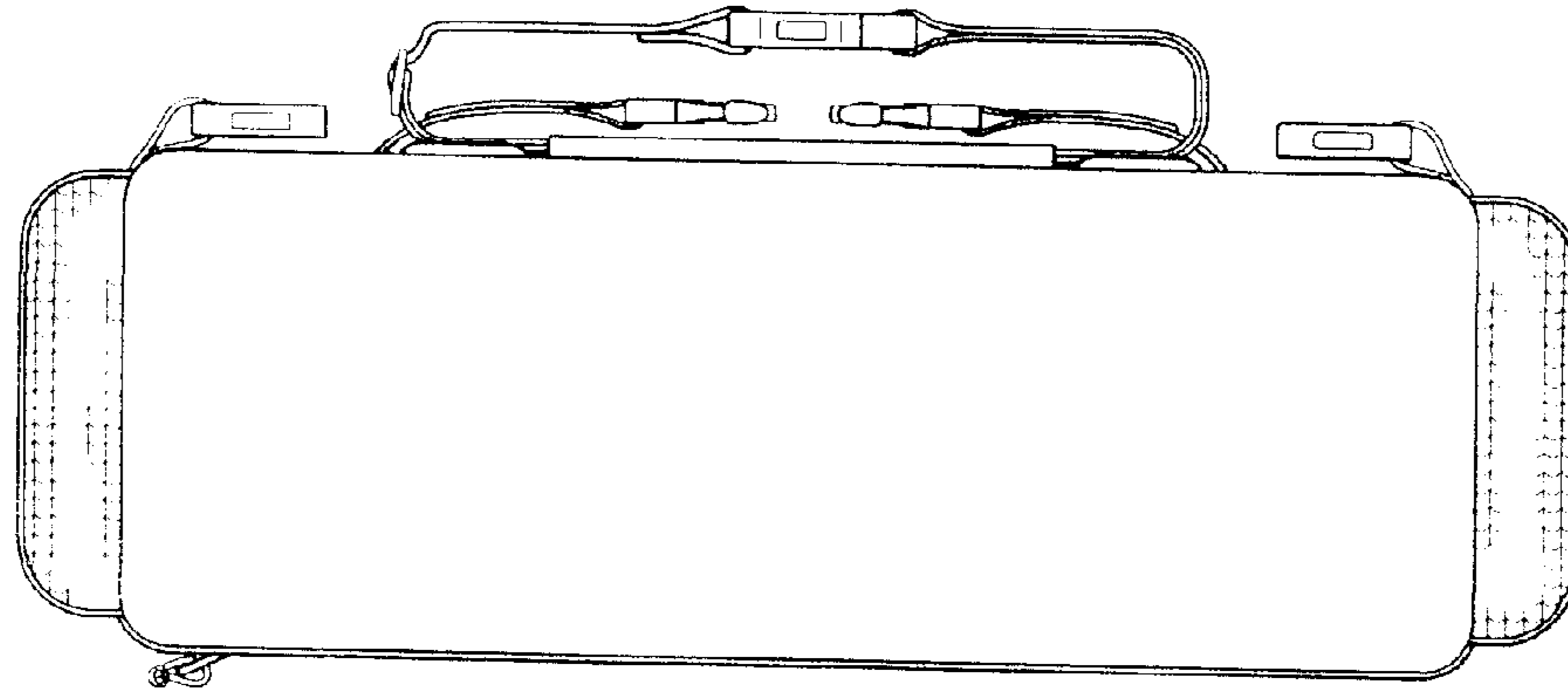


FIG. 5

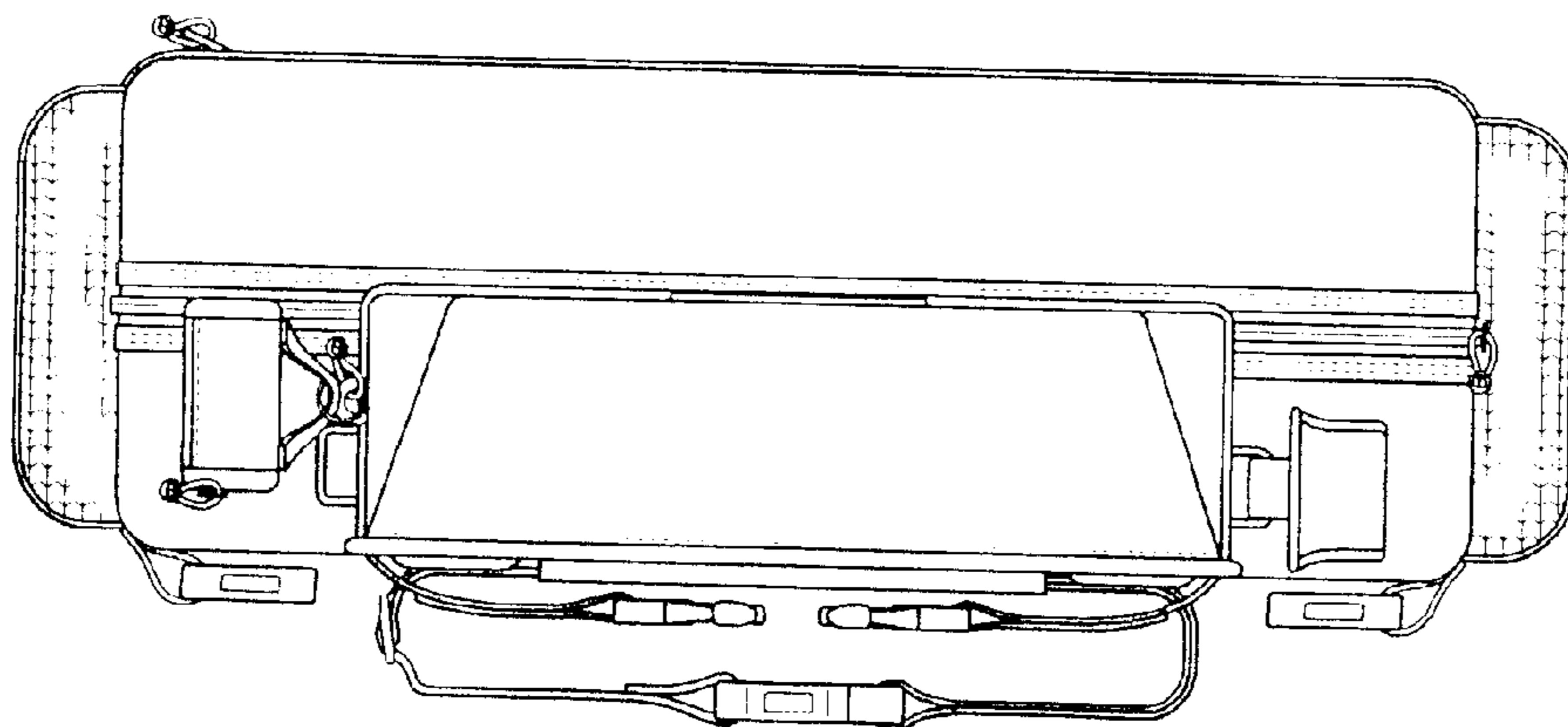


FIG. 6