

US00D499852S

(12) **United States Design Patent**
Truneczek

(10) **Patent No.:** **US D499,852 S**

(45) **Date of Patent:** **** Dec. 14, 2004**

(54) **THERMAL ICE SCRAPER**

D429,136 S * 8/2000 Ali et al. D8/90
6,282,742 B1 * 9/2001 Boggs 15/236.02

(76) **Inventor:** **Scott D. Truneczek**, 1450 S. Webb, No.
221, Wichita, KS (US) 67207

* cited by examiner

(**) **Term:** **14 Years**

Primary Examiner—Holly Baynham

Assistant Examiner—Lavone D. Tabor

(21) **Appl. No.:** **29/200,306**

(74) *Attorney, Agent, or Firm*—Dale J. Ream

(22) **Filed:** **Feb. 26, 2004**

(57) **CLAIM**

(51) **LOC (7) Cl.** **08-05**

The ornamental design for a thermal ice scraper, as shown and described in FIGS. 1 through 6.

(52) **U.S. Cl.** **D32/46**

(58) **Field of Search** D32/40, 46, 52;
D4/137, 138, 199; D8/14, 45, 90; 15/143.1,
236.01, 236.02, 236.07, 236.08, 245.1;
30/164.5, 169; 451/523, 524, 540

DESCRIPTION

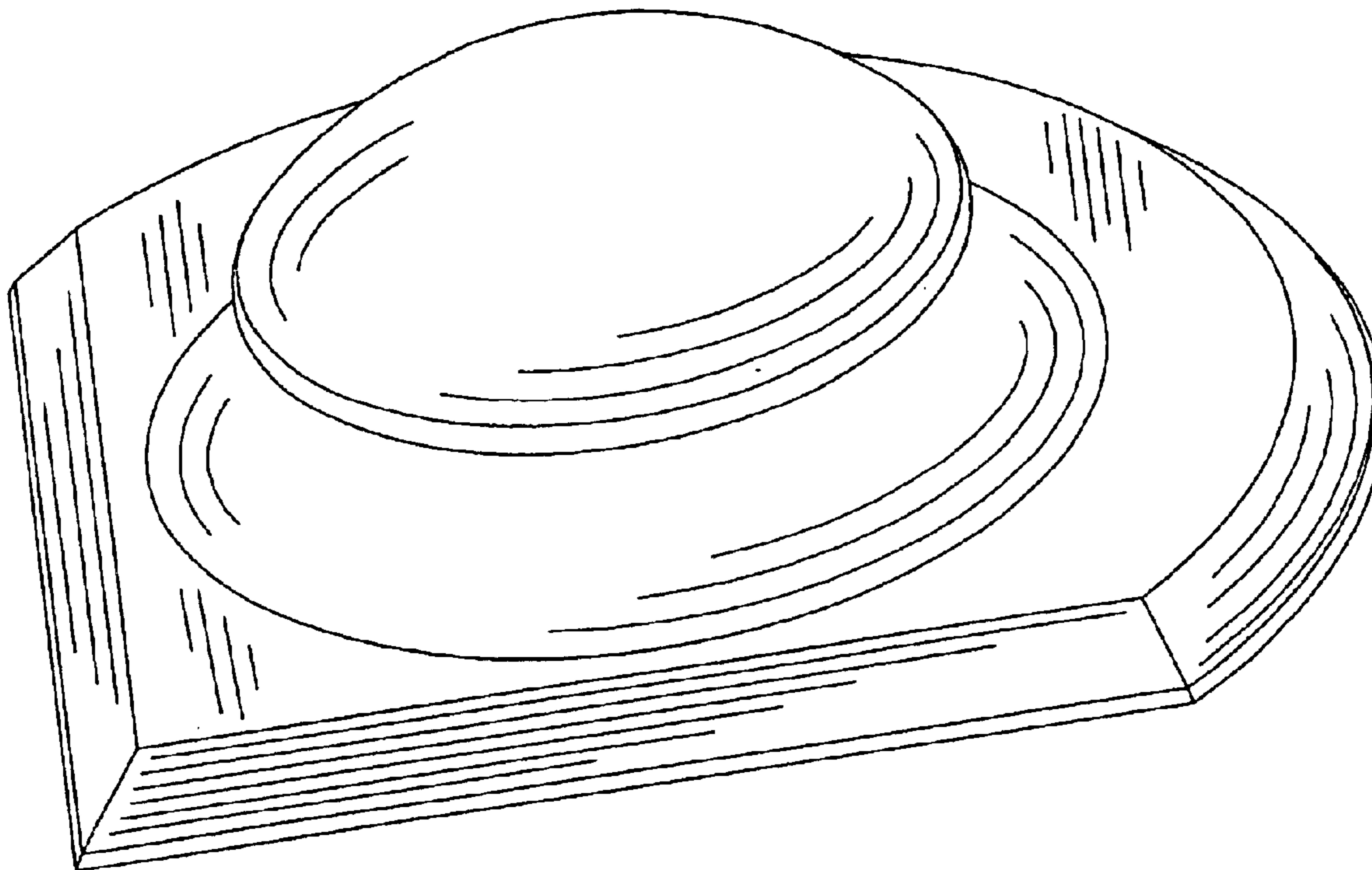
(56) **References Cited**

FIG. 1 is a perspective view of a thermal ice scraper showing my new design;
FIG. 2 is a front view thereof;
FIG. 3 is a top view thereof;
FIG. 4 is a back view thereof;
FIG. 5 is a bottom view thereof; and,
FIG. 6 is a left side view thereof, a right side view being a mirror image of the left side view.

U.S. PATENT DOCUMENTS

- 2,299,089 A * 10/1942 Haan 15/236.02
- 2,532,429 A * 12/1950 Sparkman 15/236.02 X
- 3,821,828 A * 7/1974 Pearson 15/245.1
- 5,950,312 A * 9/1999 Poole et al. 15/236.08 X

1 Claim, 3 Drawing Sheets



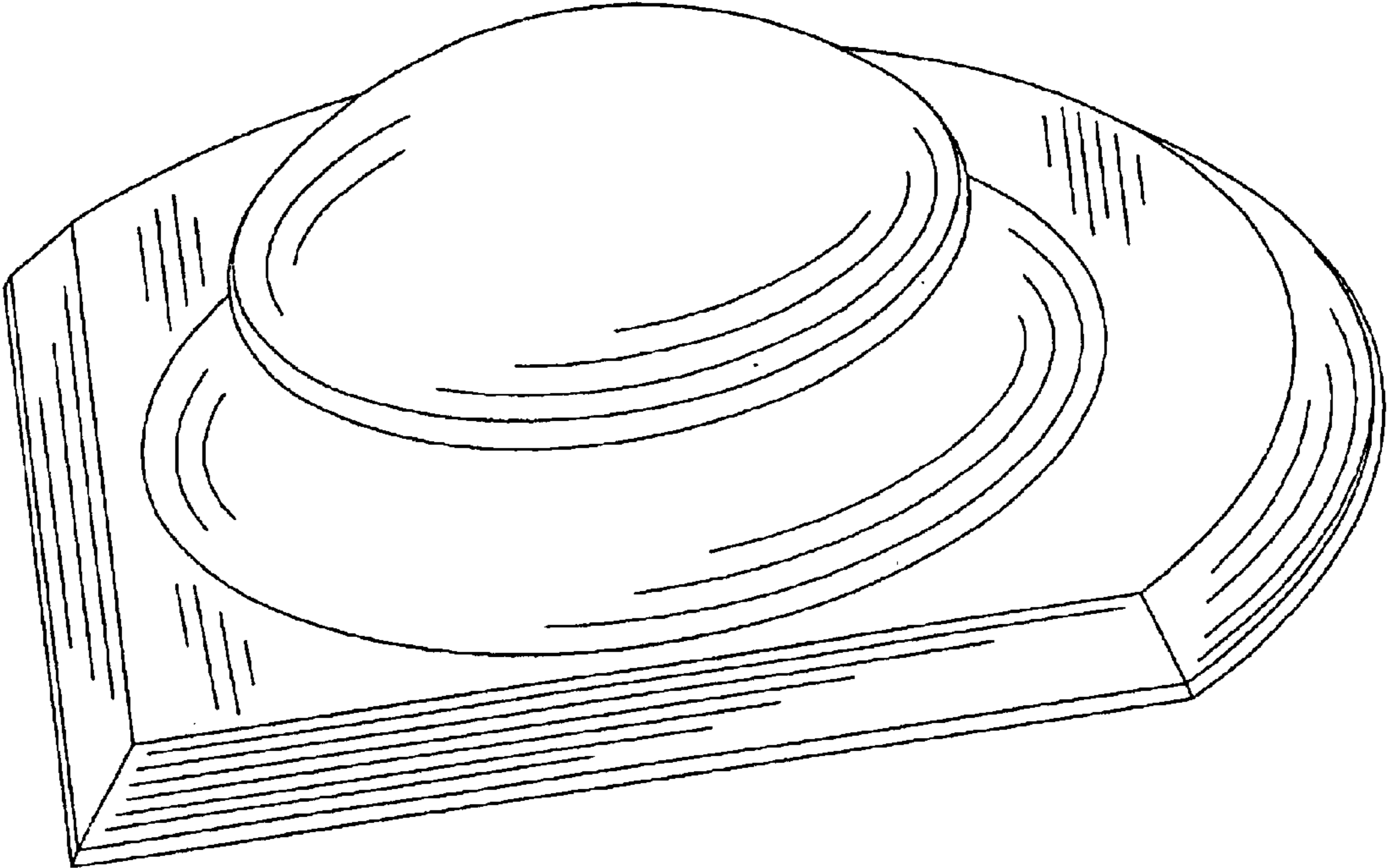


Fig. 1

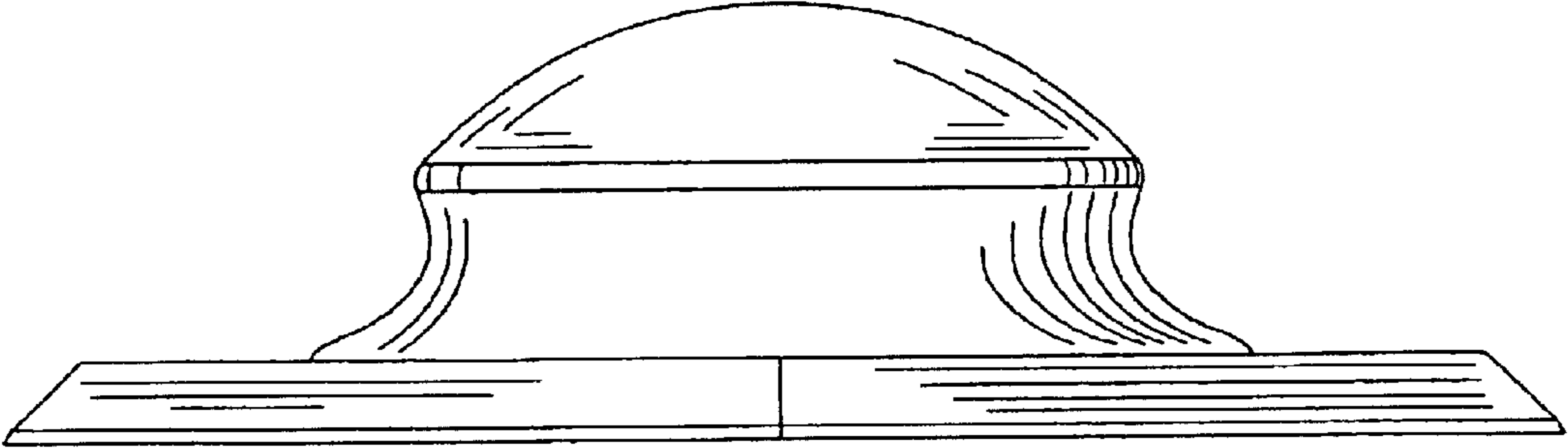


Fig. 2

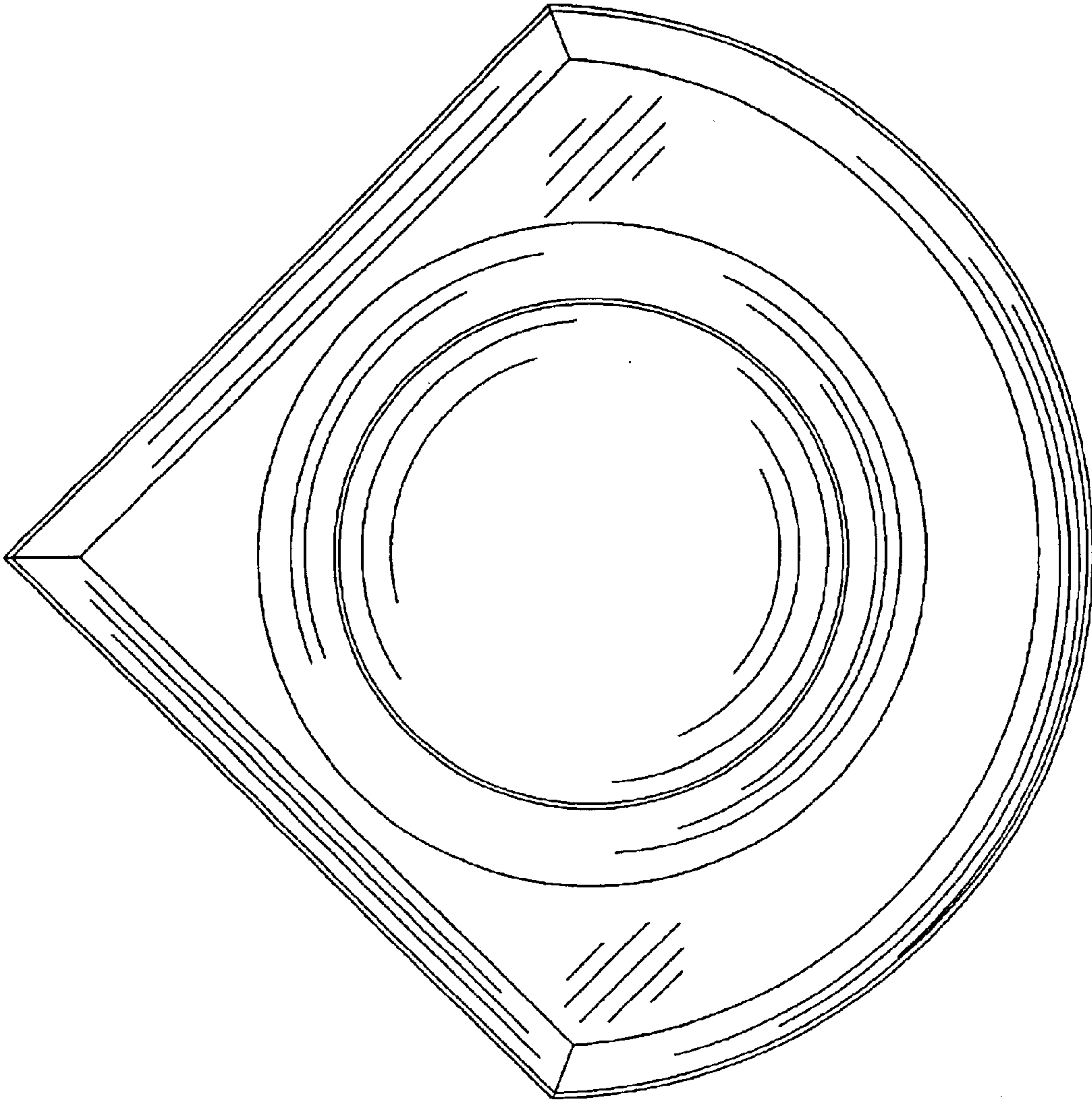


Fig. 3

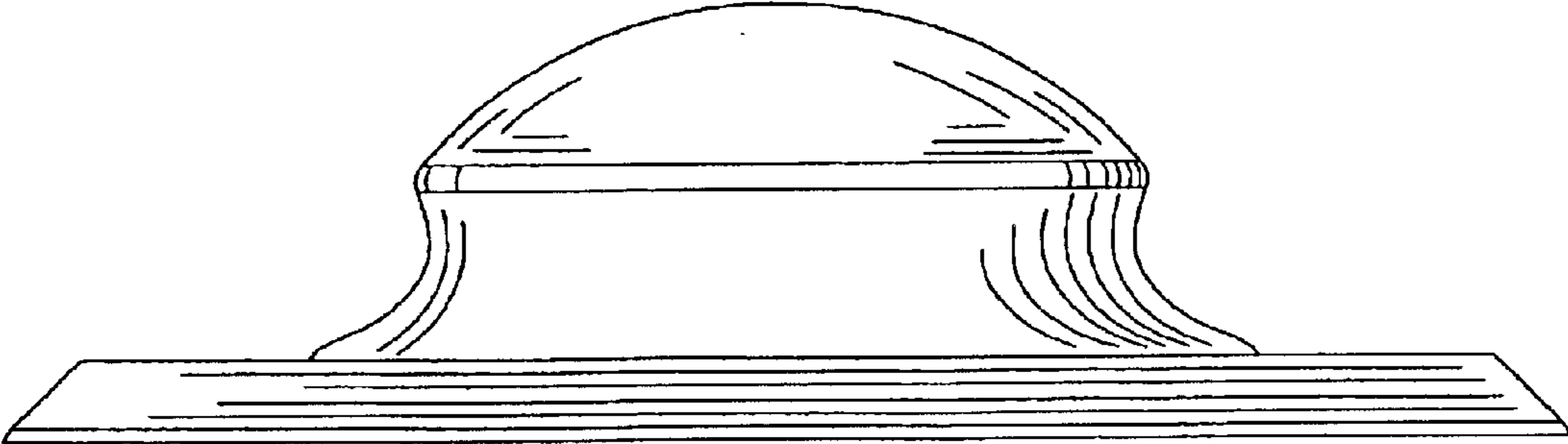


Fig. 4

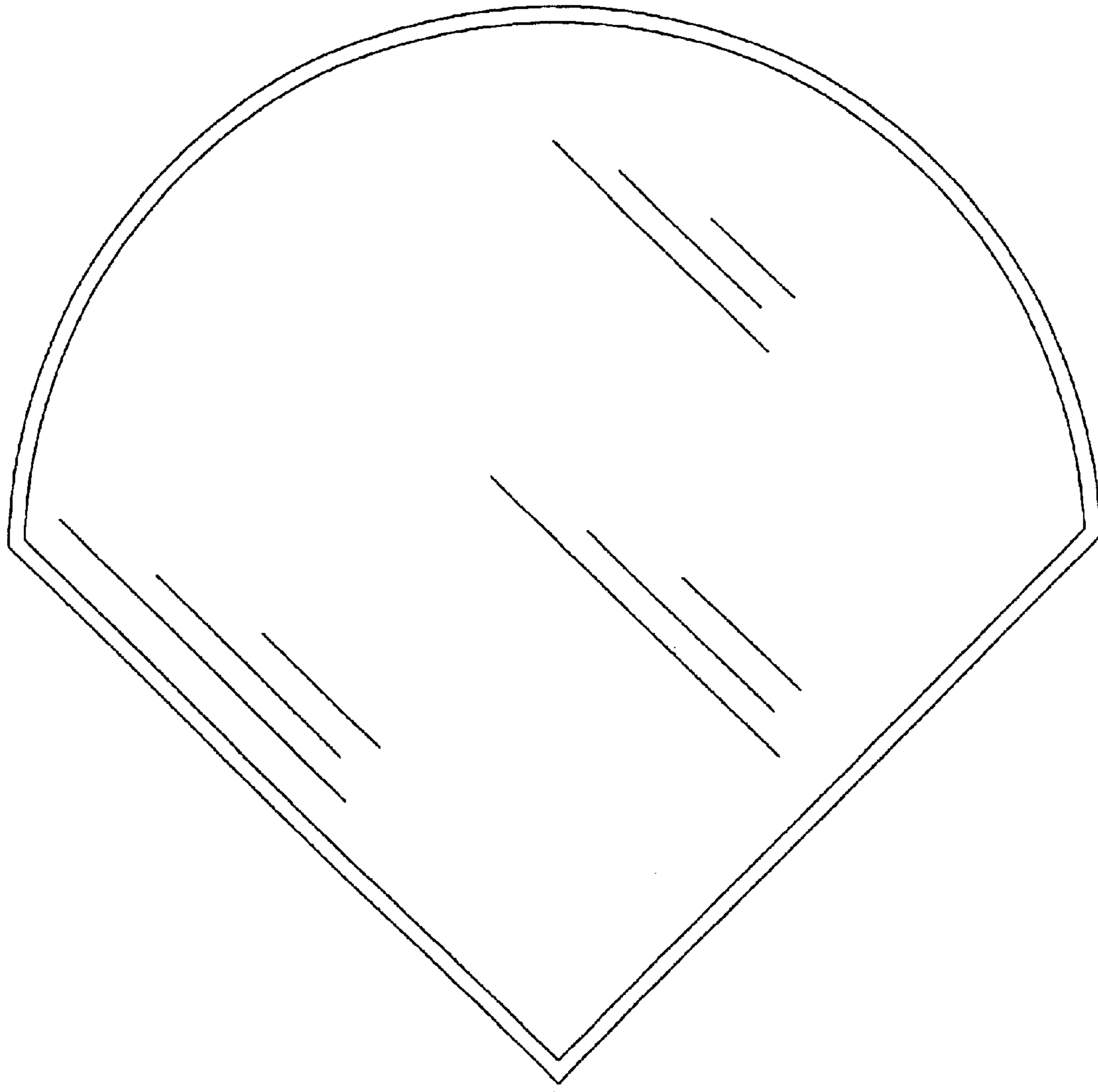


Fig. 5

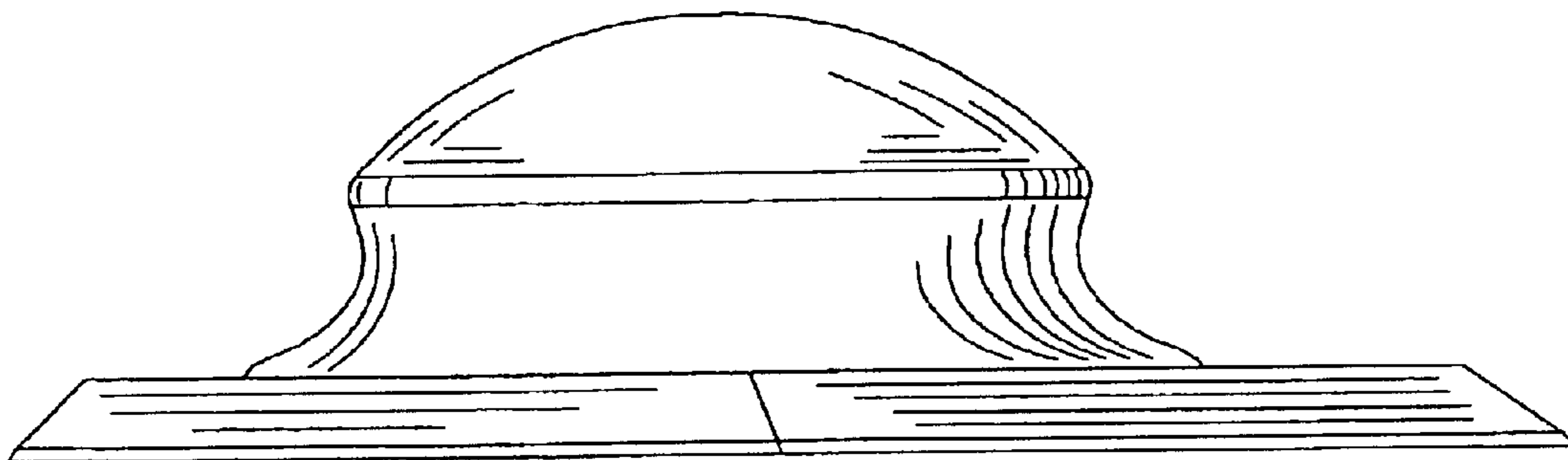


Fig. 6