



US00D499850S

(12) **United States Design Patent**
Leyden

(10) **Patent No.: US D499,850 S**

(45) **Date of Patent: ** Dec. 14, 2004**

(54) **SINGLE AGITATOR NOZZLE FOR VACUUM CLEANER**

(75) **Inventor: Christian S. Leyden, Danville, KY (US)**

(73) **Assignee: Matsushita Electric Corporation of America, Secaucus, NJ (US)**

(**) **Term: 14 Years**

(21) **Appl. No.: 29/187,370**

(22) **Filed: Jul. 31, 2003**

(51) **LOC (7) Cl. 15-05**

(52) **U.S. Cl. D32/32**

(58) **Field of Search** D32/21-22, 31-33; 15/350, 352-355, 321-322, 346-347, 412, 400, 327.1-327.7, 410, 414, 373, 381, 383, 415.1-422.1, 366

(56) **References Cited**

U.S. PATENT DOCUMENTS

- 4,654,924 A 4/1987 Getz et al.
- 4,980,945 A 1/1991 Bewley
- 5,107,565 A 4/1992 Chun
- D329,512 S * 9/1992 McKnight et al. D32/32

- D331,991 S * 12/1992 Wright et al. D32/32
- D418,267 S * 12/1999 Lin D32/32
- D440,019 S 4/2001 Mehaffey et al.
- D456,965 S * 5/2002 Paterson et al. D32/32
- D473,687 S * 4/2003 Kaffenberger D32/33
- D473,986 S * 4/2003 Parr et al. D32/32

* cited by examiner

Primary Examiner—Ruth McInroy

(74) *Attorney, Agent, or Firm*—King & Schickli, PLL

(57) **CLAIM**

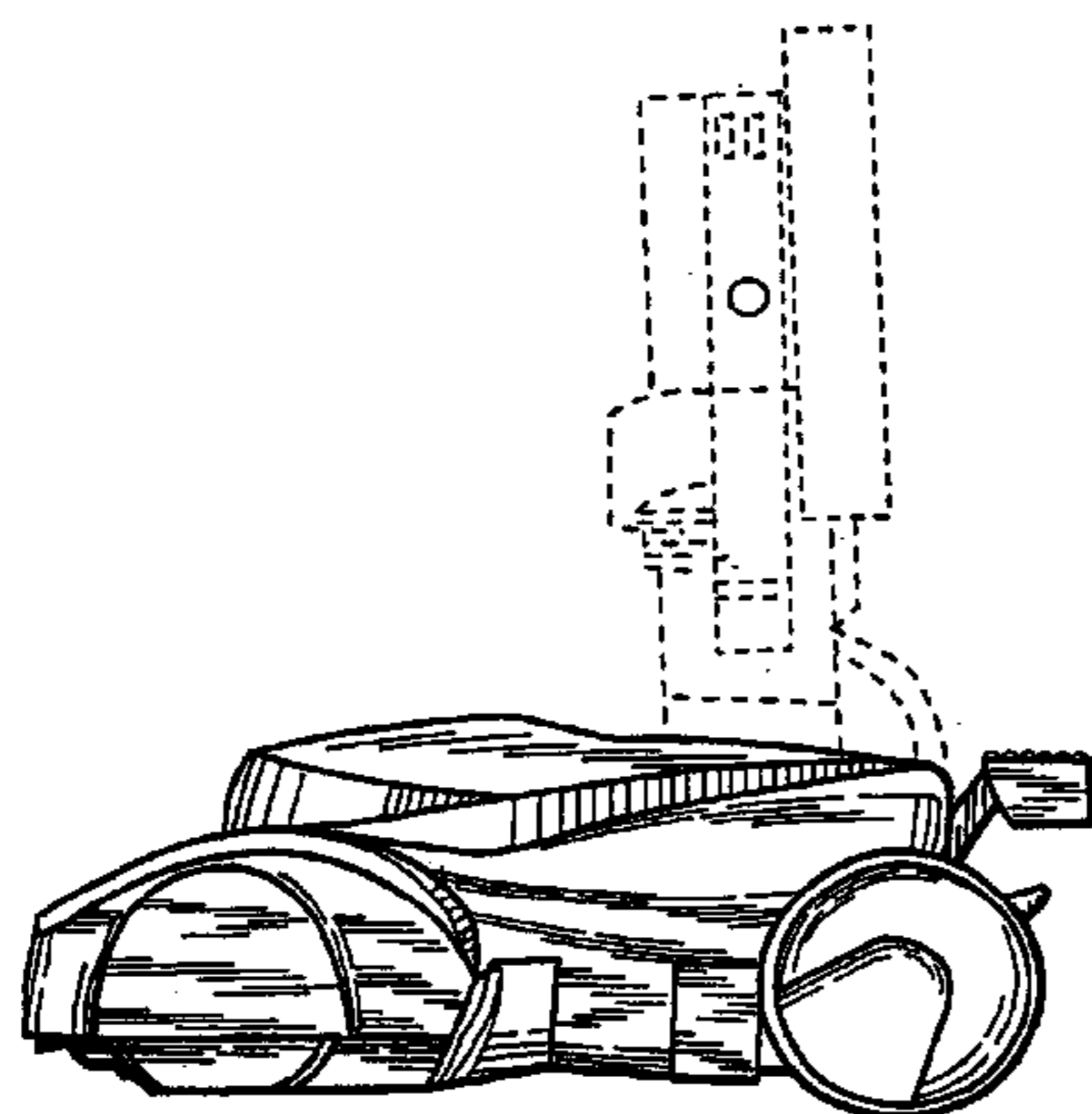
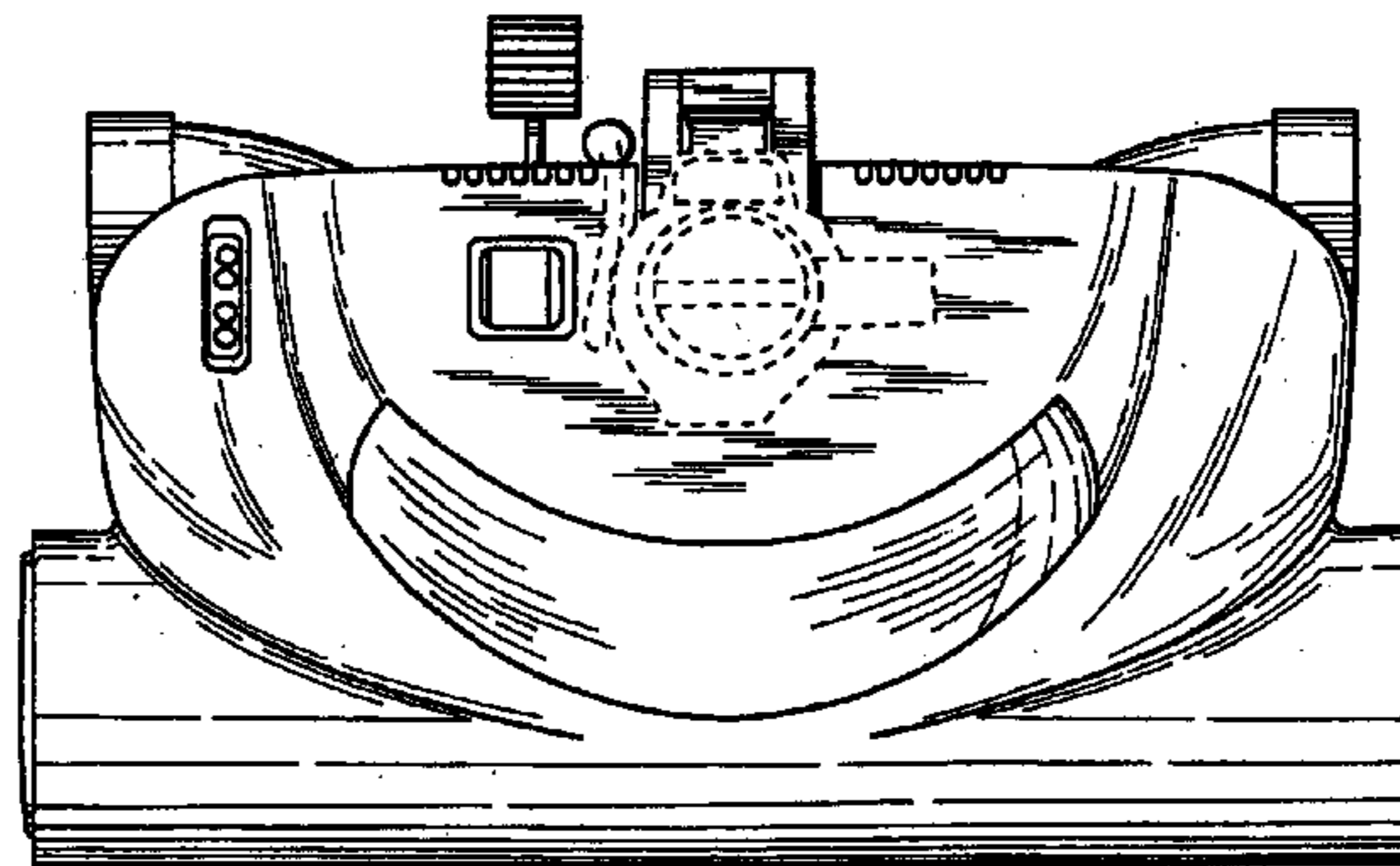
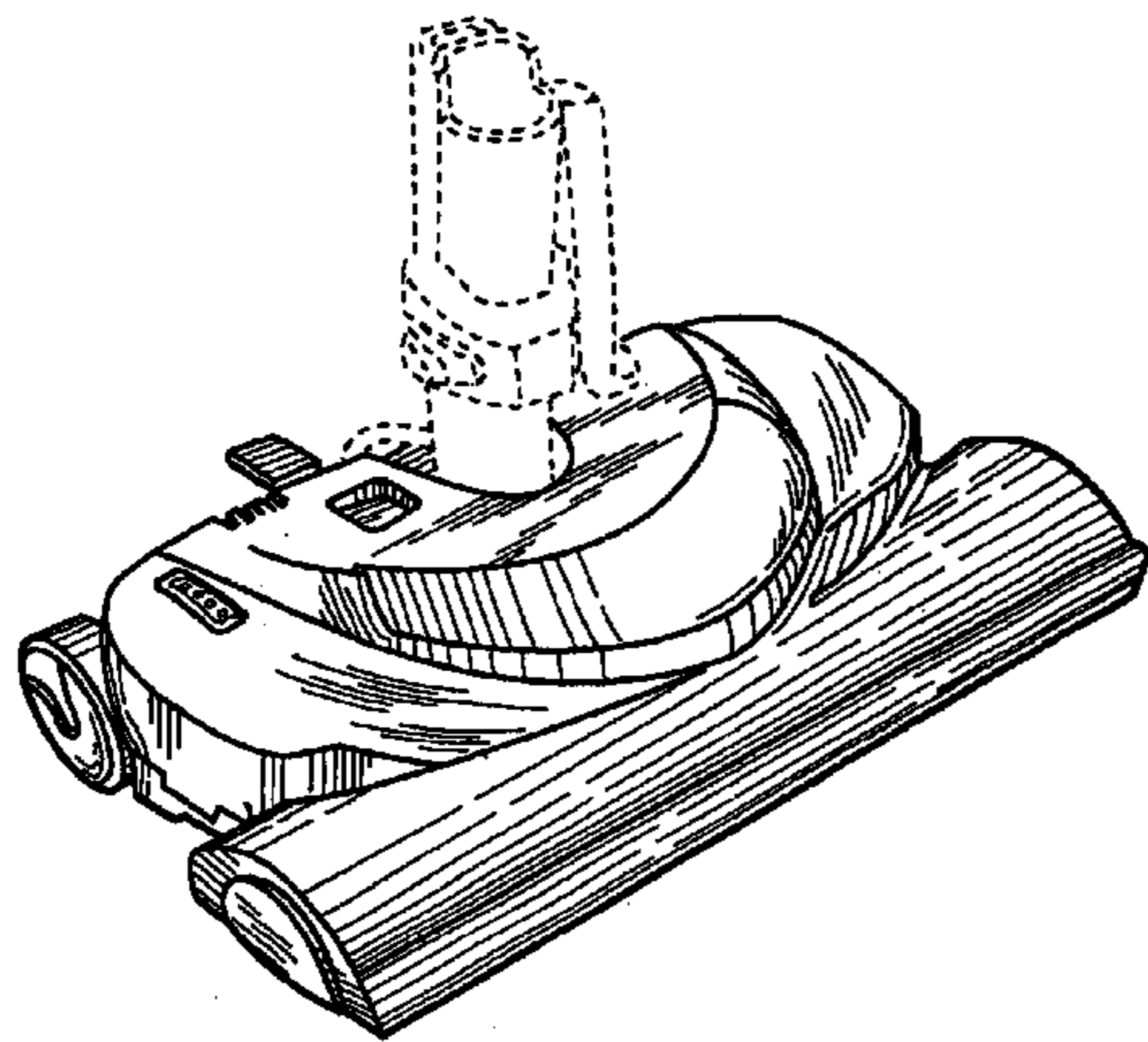
The ornamental design of a single agitator nozzle for vacuum cleaner, as shown and described.

DESCRIPTION

FIG. 1 is a perspective view of a single agitator nozzle for vacuum cleaner showing my new design; FIG. 2 is a left side elevational view thereof; FIG. 3 is a front elevational view thereof; FIG. 4 is a right side elevational view thereof; FIG. 5 is a rear elevational view thereof; and, FIG. 6 is a top plan view thereof.

The details shown in broken lines are for illustrative purposes only and form no part of the claimed design.

1 Claim, 3 Drawing Sheets



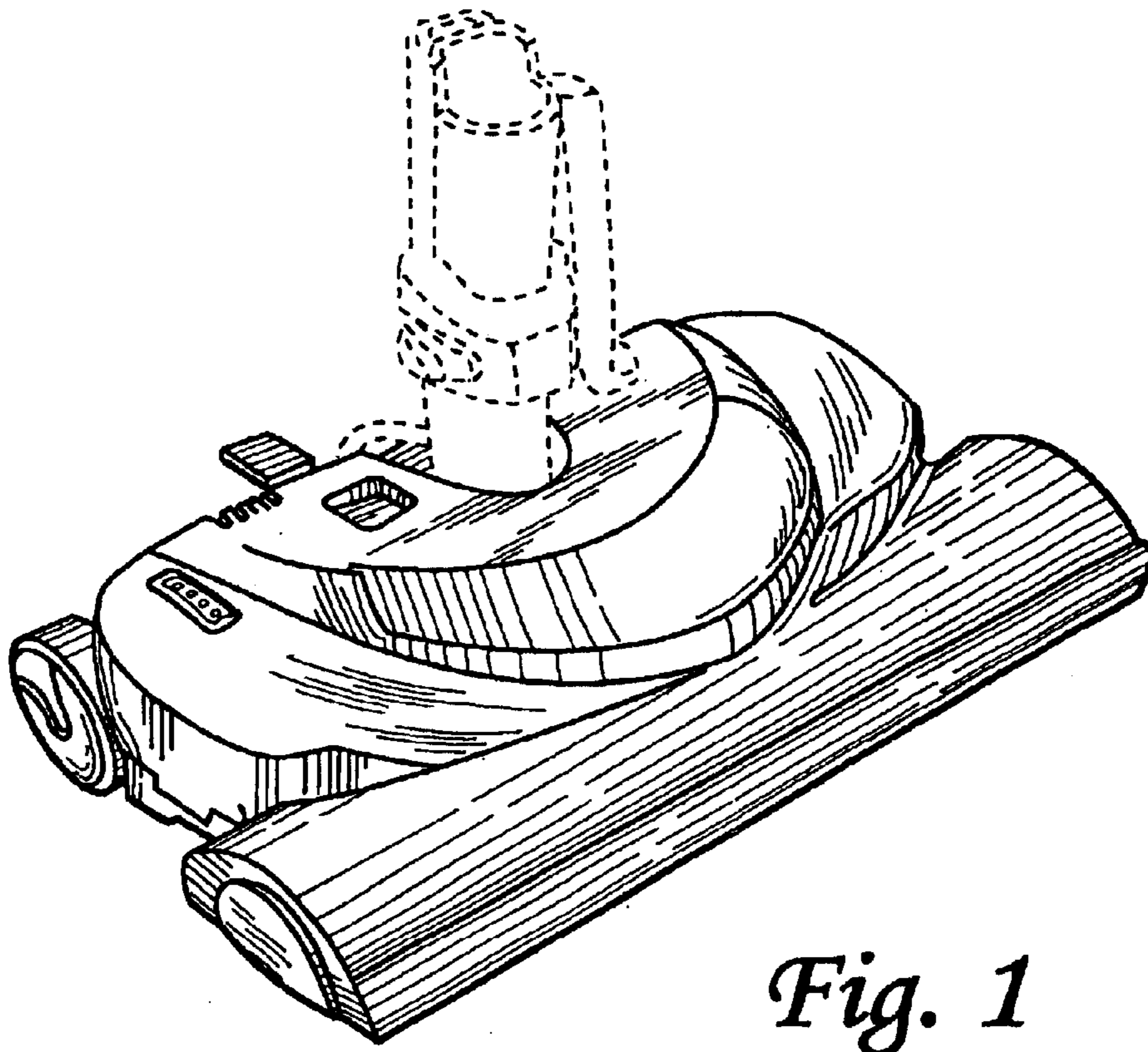


Fig. 1

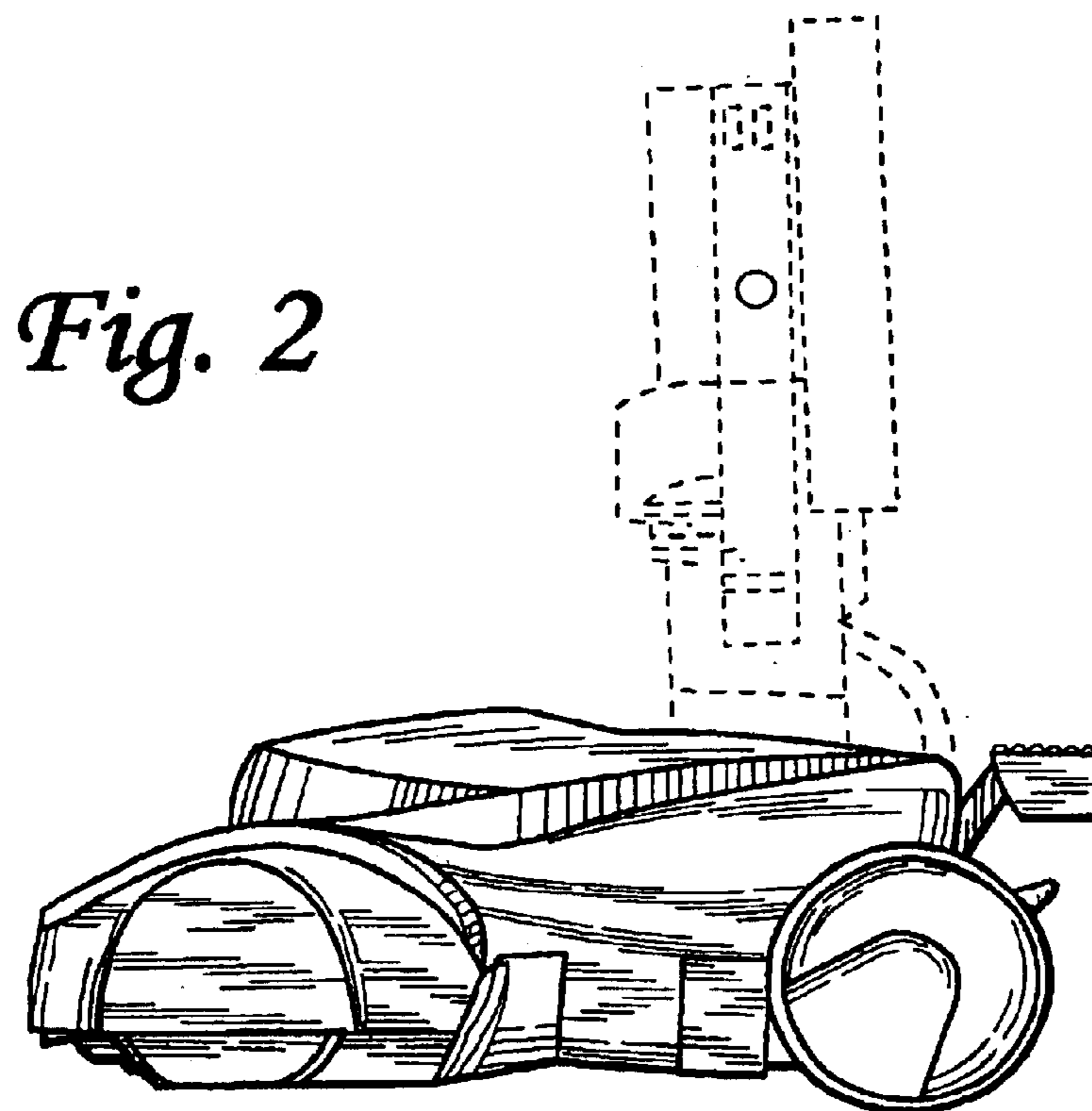


Fig. 2

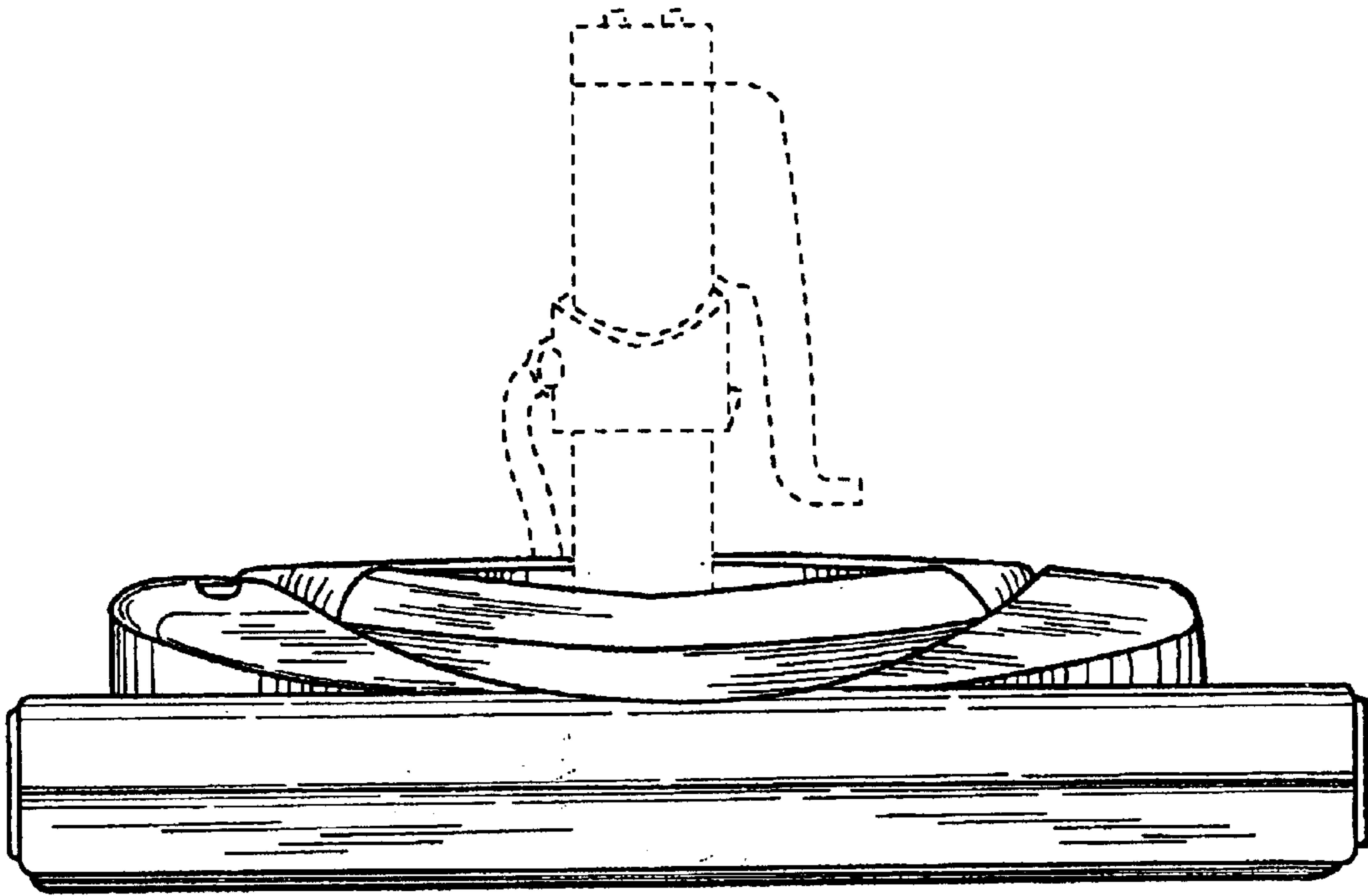


Fig. 3

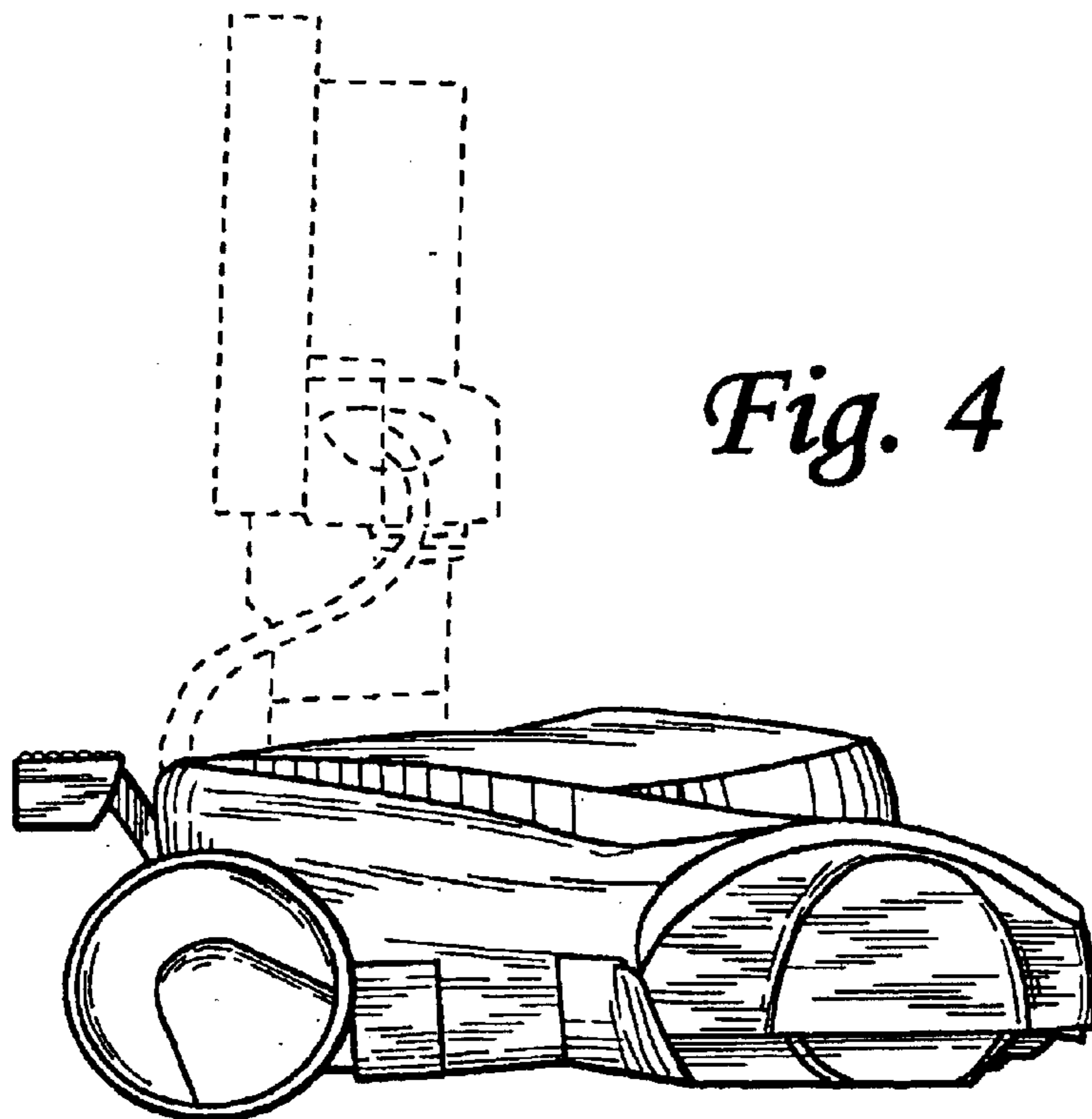


Fig. 4

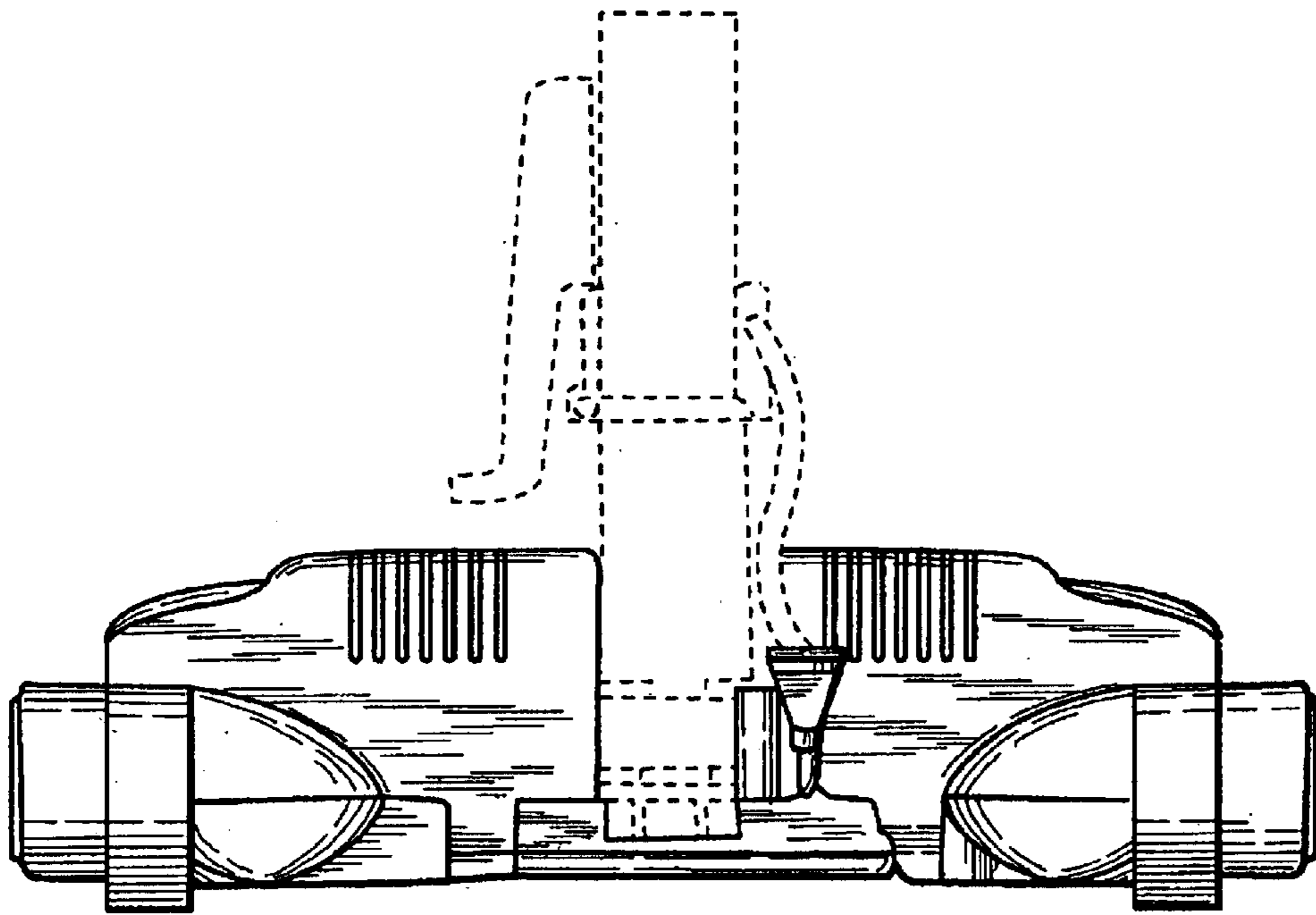


Fig. 5

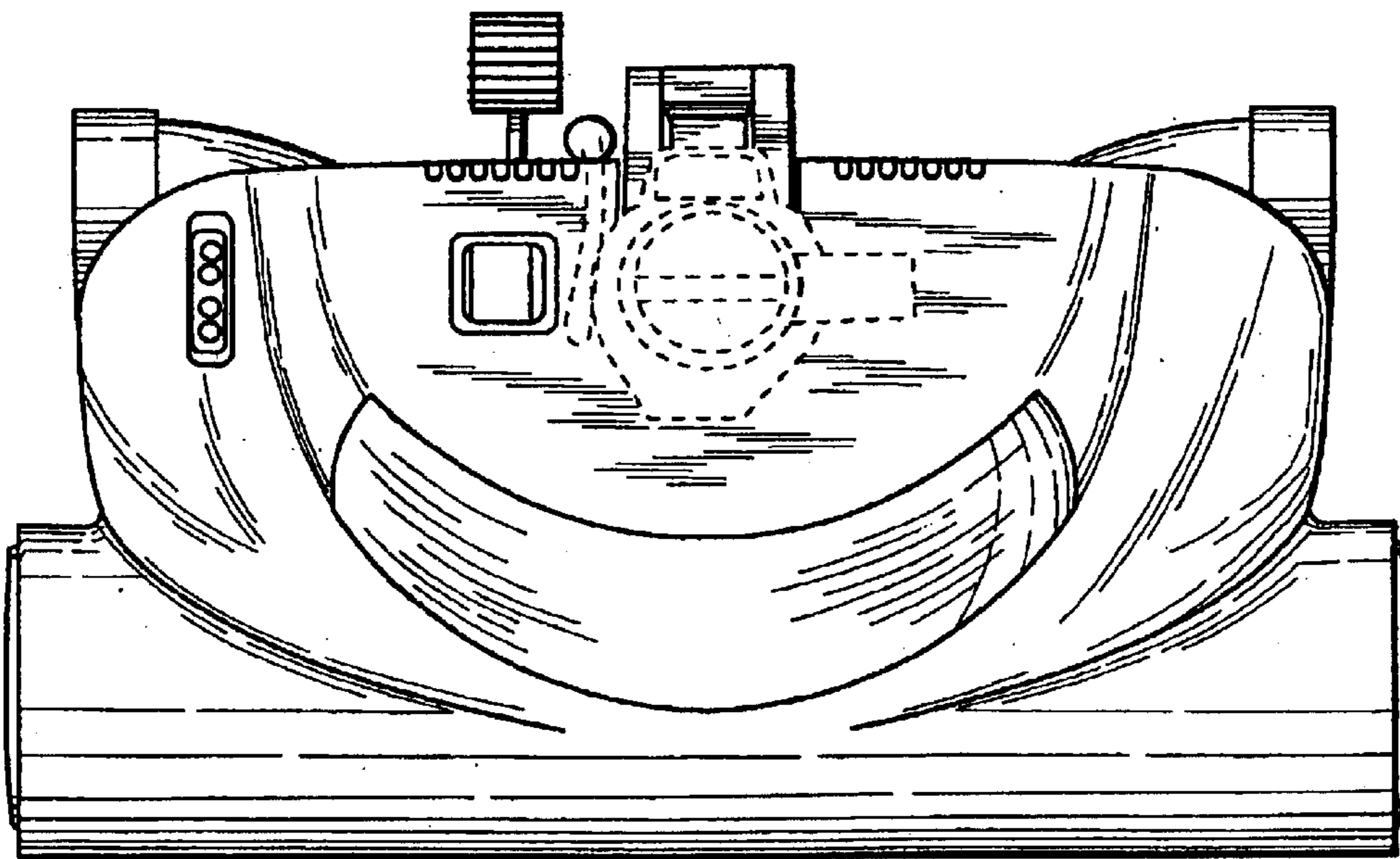


Fig. 6