

US00D499849S

(12) **United States Design Patent**
Lam

(10) **Patent No.:** **US D499,849 S**

(45) **Date of Patent:** **** Dec. 14, 2004**

(54) **VACUUM CLEANER CANISTER**

(75) **Inventor:** **Raymond Hoi-Tak Lam, Wanchai (HK)**

(73) **Assignee:** **South Asia International, Hong Kong (CN)**

(**) **Term:** **14 Years**

(21) **Appl. No.:** **29/189,891**

(22) **Filed:** **Sep. 10, 2003**

(51) **LOC (7) Cl.** **15-05**

(52) **U.S. Cl.** **D32/21**

(58) **Field of Search** D32/17-18, 21-24, D32/31, 34; 15/329, 344, 347, 327.1-327.7, 410-412, 350-353, 320-321, 324; 362/91; 285/7; 174/47; 96/225-226; 68/222; 392/404

(56) **References Cited**

U.S. PATENT DOCUMENTS

- D325,273 S * 4/1992 Ikeda et al. D32/21
- D417,046 S * 11/1999 Tsuruha et al. D32/21
- D459,040 S * 6/2002 Oh D32/21
- D461,606 S * 8/2002 Kim D32/21

- D485,653 S * 1/2004 Warburton D32/21
- D490,580 S * 5/2004 Choi D32/21
- 2003/0115714 A1 * 6/2003 Byung-Sun 15/327.2

* cited by examiner

Primary Examiner—Ruth McInroy

(74) *Attorney, Agent, or Firm*—Gallagher & Kennedy; Thomas D. MacBlain

(57) **CLAIM**

An ornamental design for a vacuum cleaner canister, as shown and described.

DESCRIPTION

FIG. 1 is a perspective view of a vacuum cleaner canister showing my new design;
 FIG. 2 is a top plan view thereof;
 FIG. 3 is a right side elevation view thereof;
 FIG. 4 is a left side elevation view thereof;
 FIG. 5 is a rear elevation view thereof;
 FIG. 6 is a front elevation view thereof; and,
 FIG. 7 is a bottom plan view thereof.
 Features shown in broken lines are shown for environment only and do not form a part of the design claimed.

1 Claim, 4 Drawing Sheets

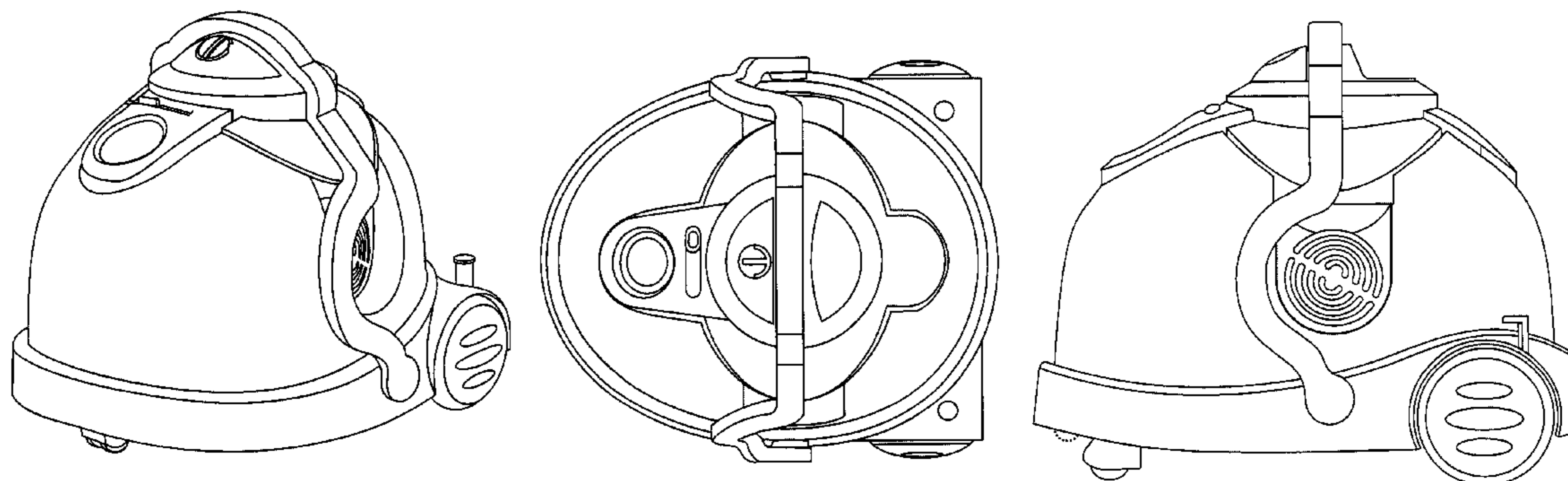


Fig. 1

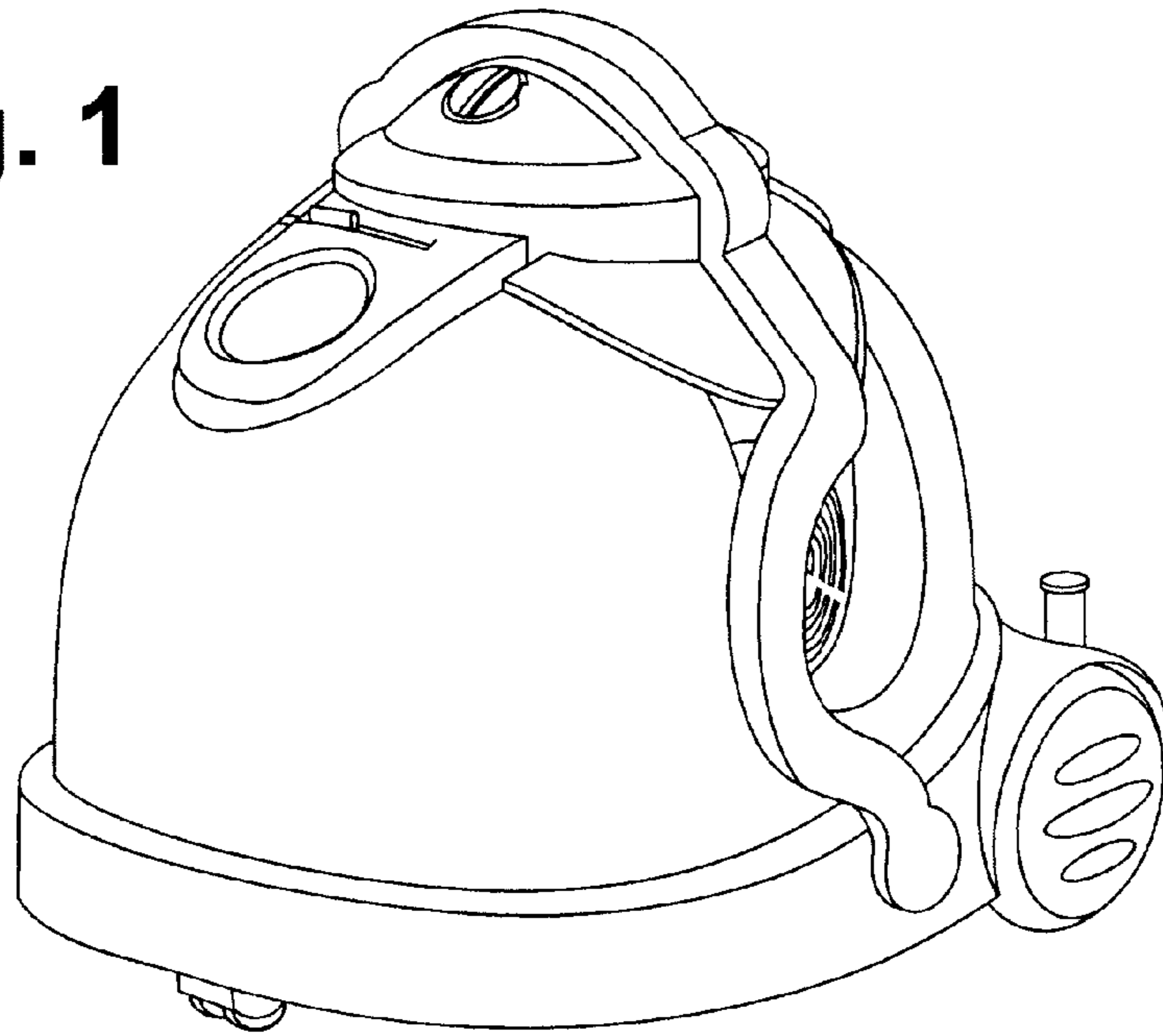


Fig. 2

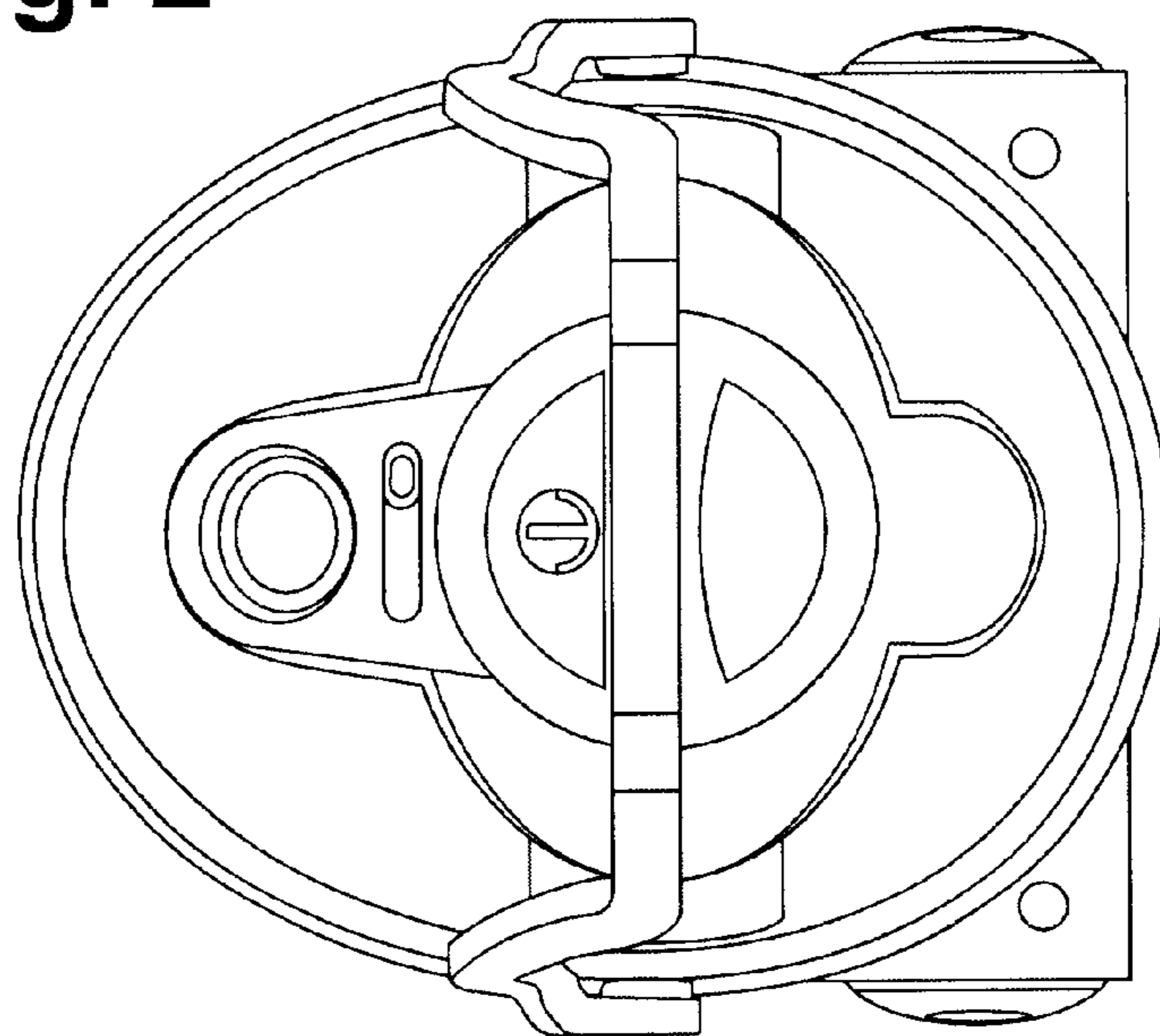


Fig. 3

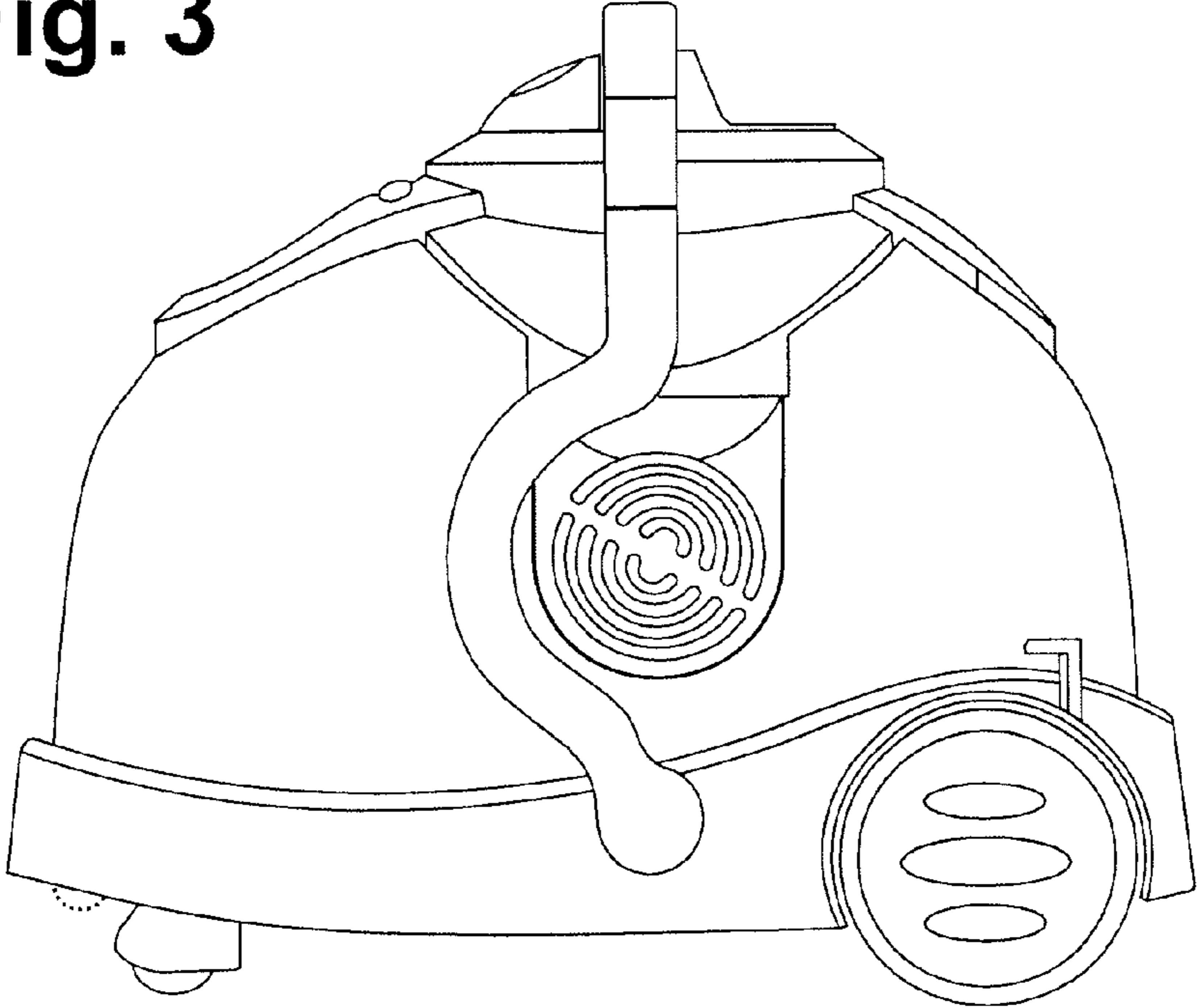


Fig. 4

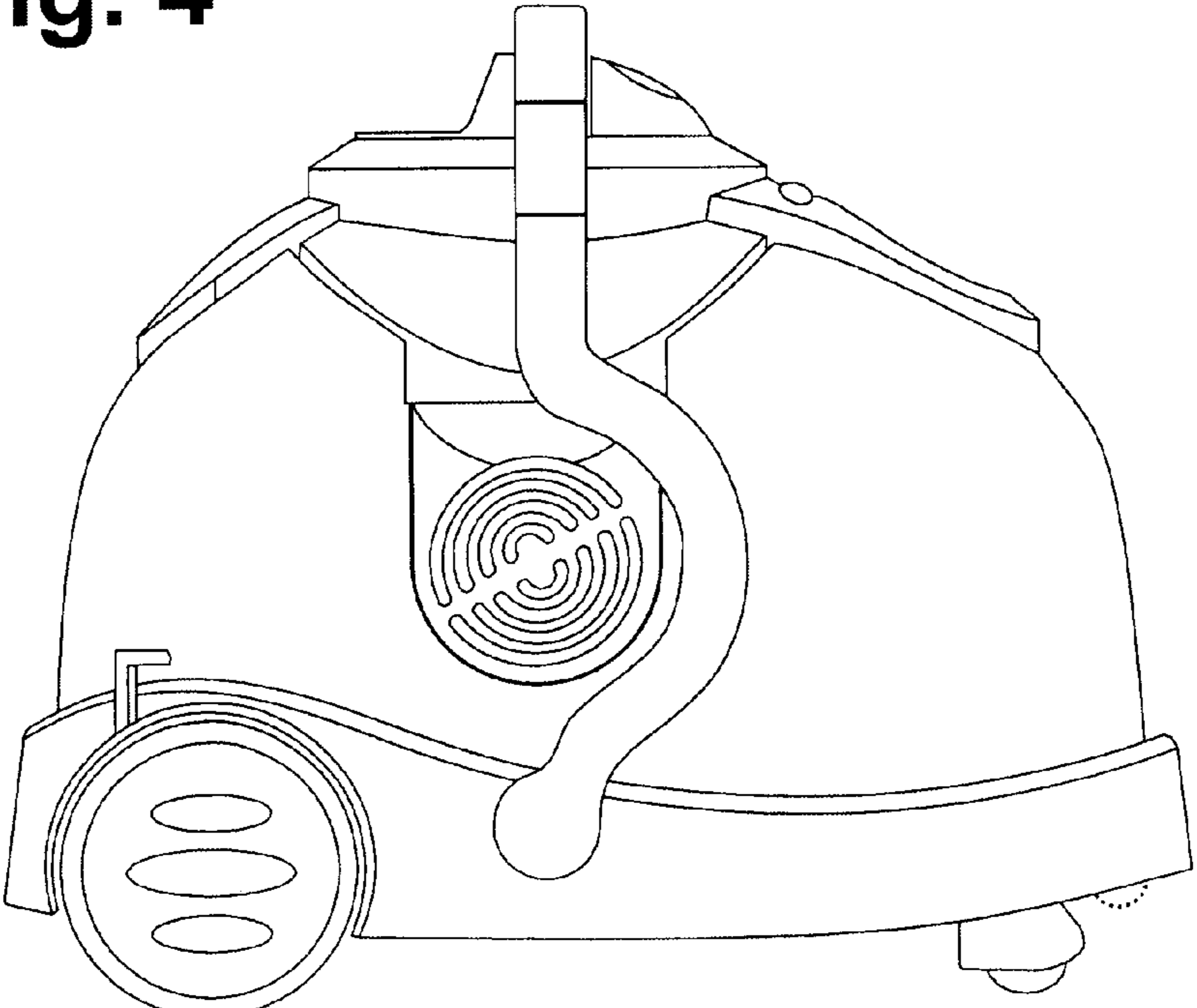


Fig. 5

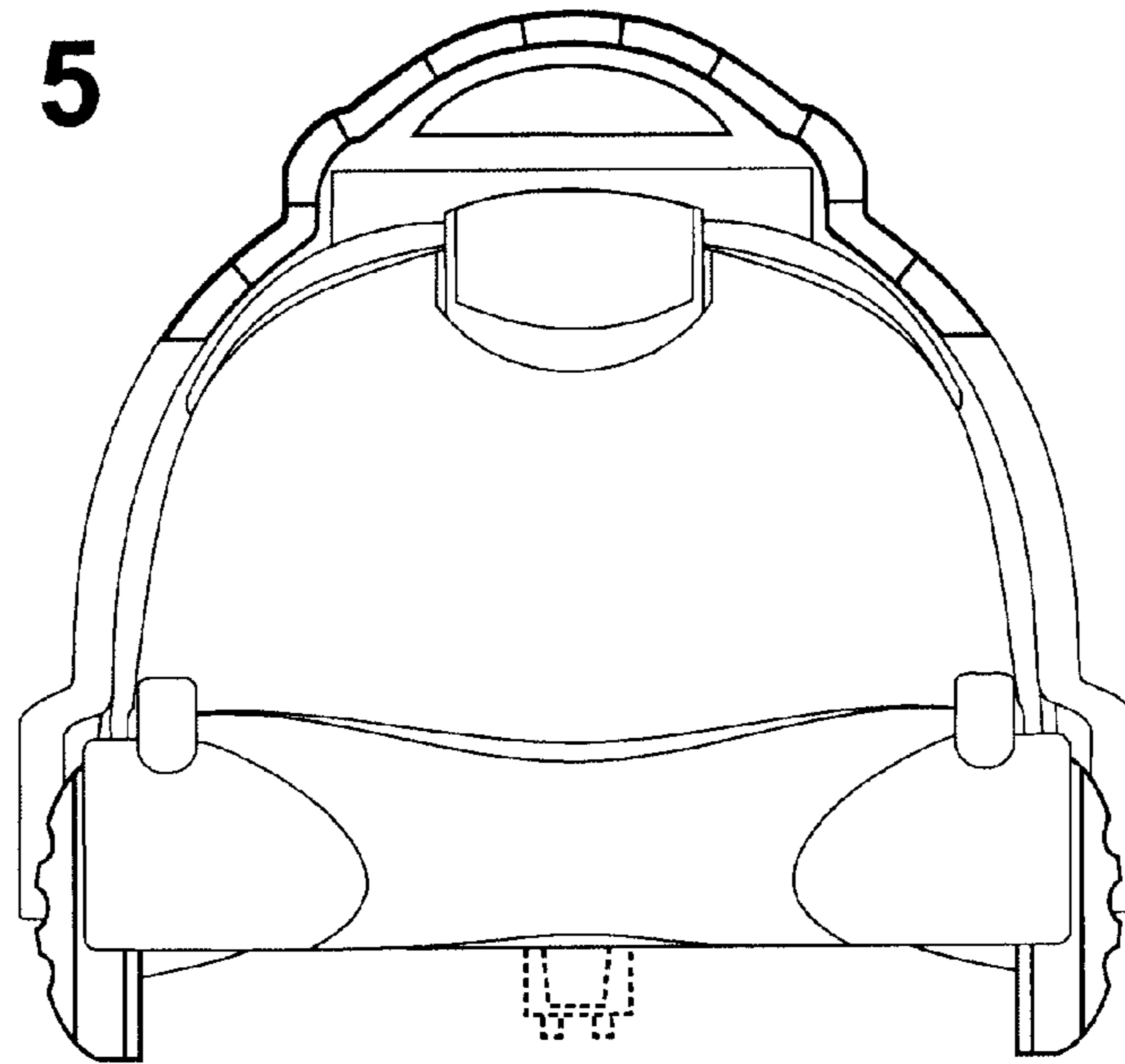


Fig. 6

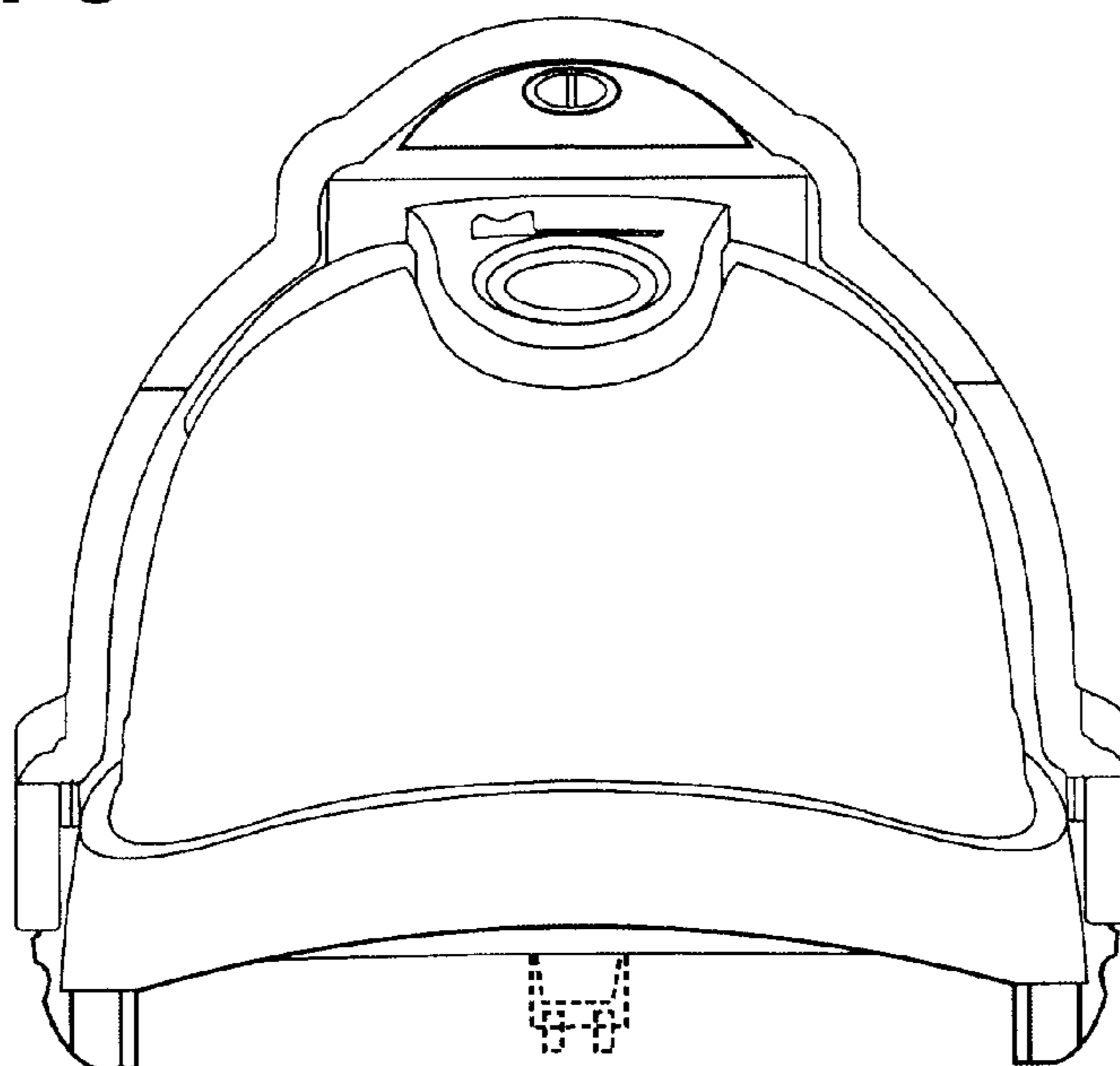


Fig. 7

