

US00D499848S

(12) **United States Design Patent**  
**Leasure**

(10) **Patent No.:** **US D499,848 S**

(45) **Date of Patent:** **\*\* Dec. 14, 2004**

(54) **PRESSURE WASHER**

(75) **Inventor:** **Jeremy D. Leasure**, Jackson, TN (US)

(73) **Assignee:** **DeVilbiss Air Power Company**,  
Jackson, TN (US)

(\*\*) **Term:** **14 Years**

(21) **Appl. No.:** **29/196,195**

(22) **Filed:** **Dec. 23, 2003**

(51) **LOC (7) Cl.** ..... **15-02**

(52) **U.S. Cl.** ..... **D32/15**

(58) **Field of Search** ..... D32/1, 15, 17,  
D32/25; 417/364; D4/102; 15/3.14, 320;  
239/146-147, 149, 155-158; D34/5, 24,  
27

(56) **References Cited**

**U.S. PATENT DOCUMENTS**

D375,590 S \* 11/1996 Steinhart et al. .... D32/15  
5,700,137 A \* 12/1997 Simonette ..... 417/364  
D444,279 S \* 6/2001 Kristiansen et al. .... D34/12

\* cited by examiner

*Primary Examiner*—Robert A. Delehanty

(74) *Attorney, Agent, or Firm*—Suiter West PC LLO

(57) **CLAIM**

I claim the ornamental design for a pressure washer, as shown.

**DESCRIPTION**

FIG. 1 is a front perspective view of a pressure washer showing my new design;

FIG. 2 is a top plan view shown on a reduced scale thereof; FIG. 3 is a right side elevation view shown on a reduced scale thereof;

FIG. 4 is a front elevation view shown on a reduced scale thereof;

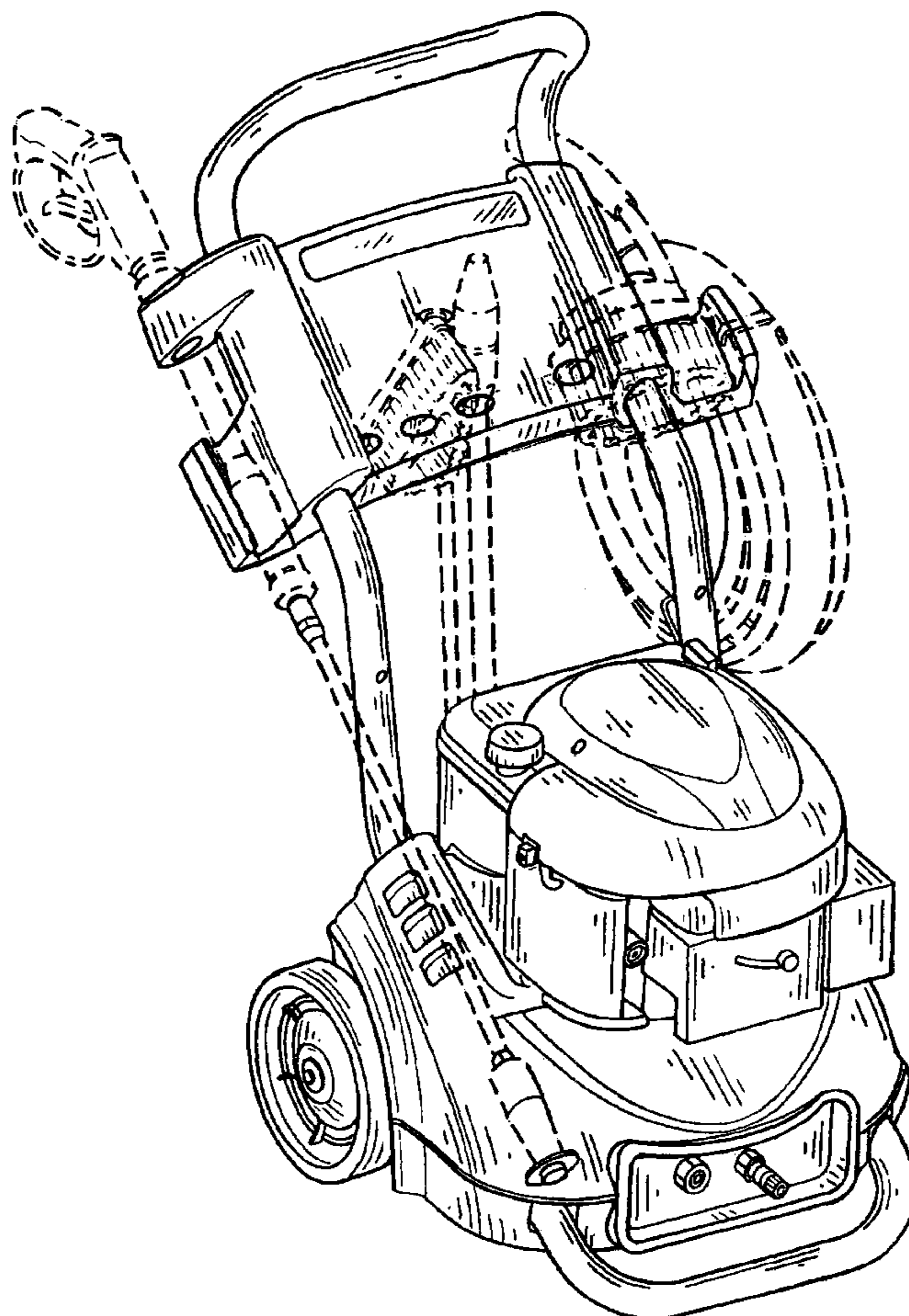
FIG. 5 is a rear elevation view shown on a reduced scale thereof;

FIG. 6 is a left side elevation view shown on a reduced scale thereof; and,

FIG. 7 is a bottom plan view shown on a reduced scale thereof.

The broken line showing of pressure hose attachments in FIG. 1 is for illustrative purposes only and forms no part of the claimed design.

**1 Claim, 3 Drawing Sheets**



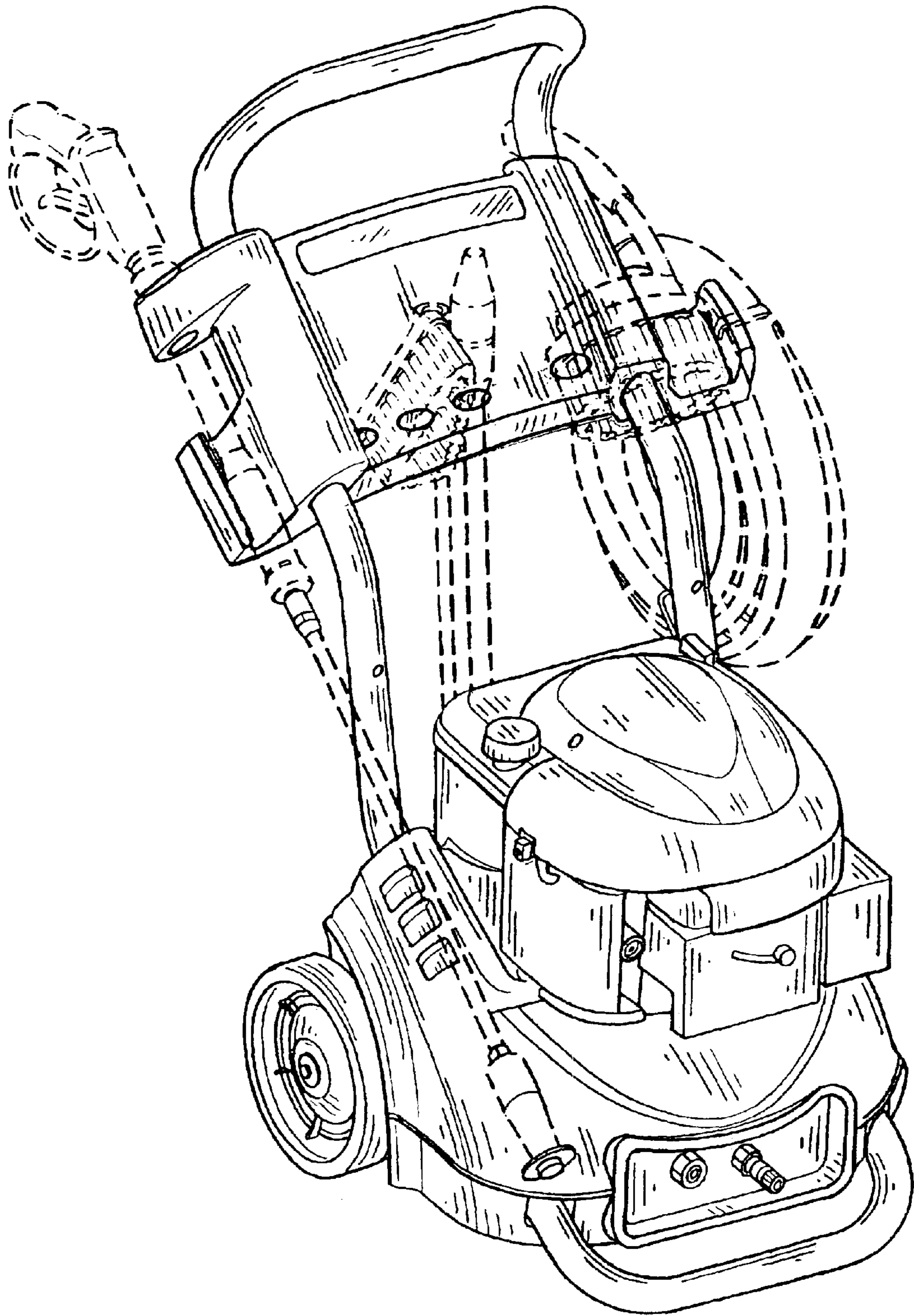


FIG. 1

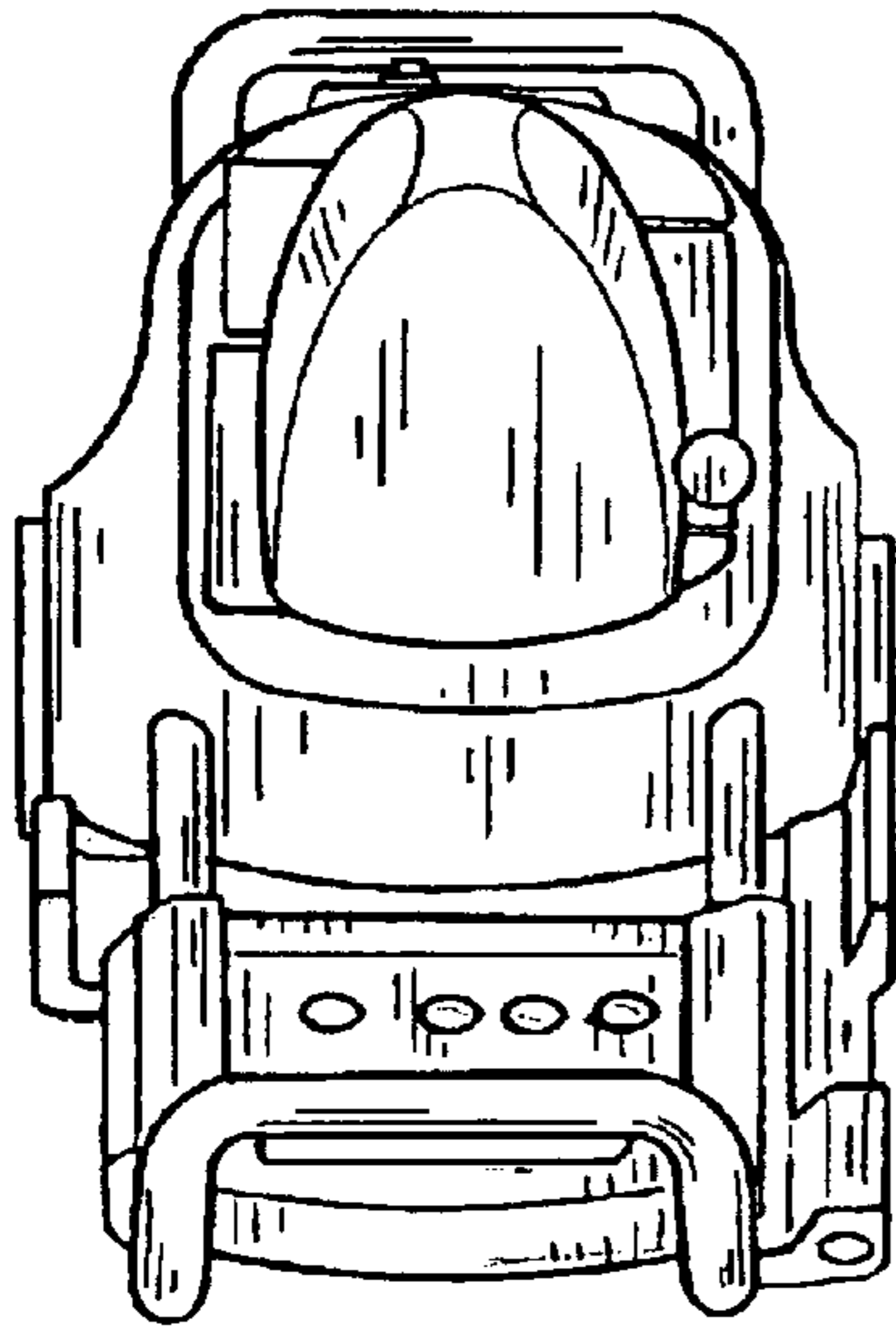


FIG. 2

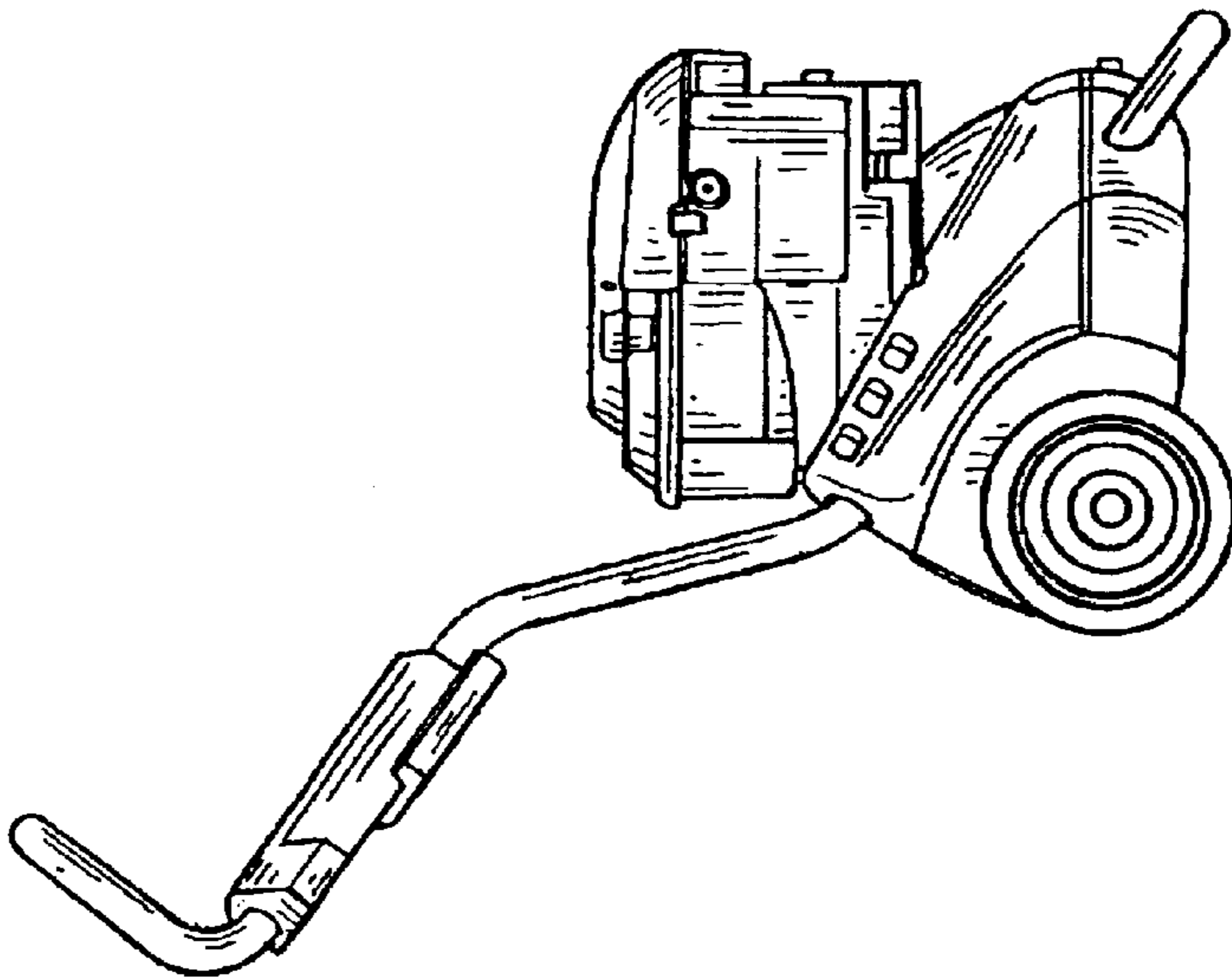


FIG. 3

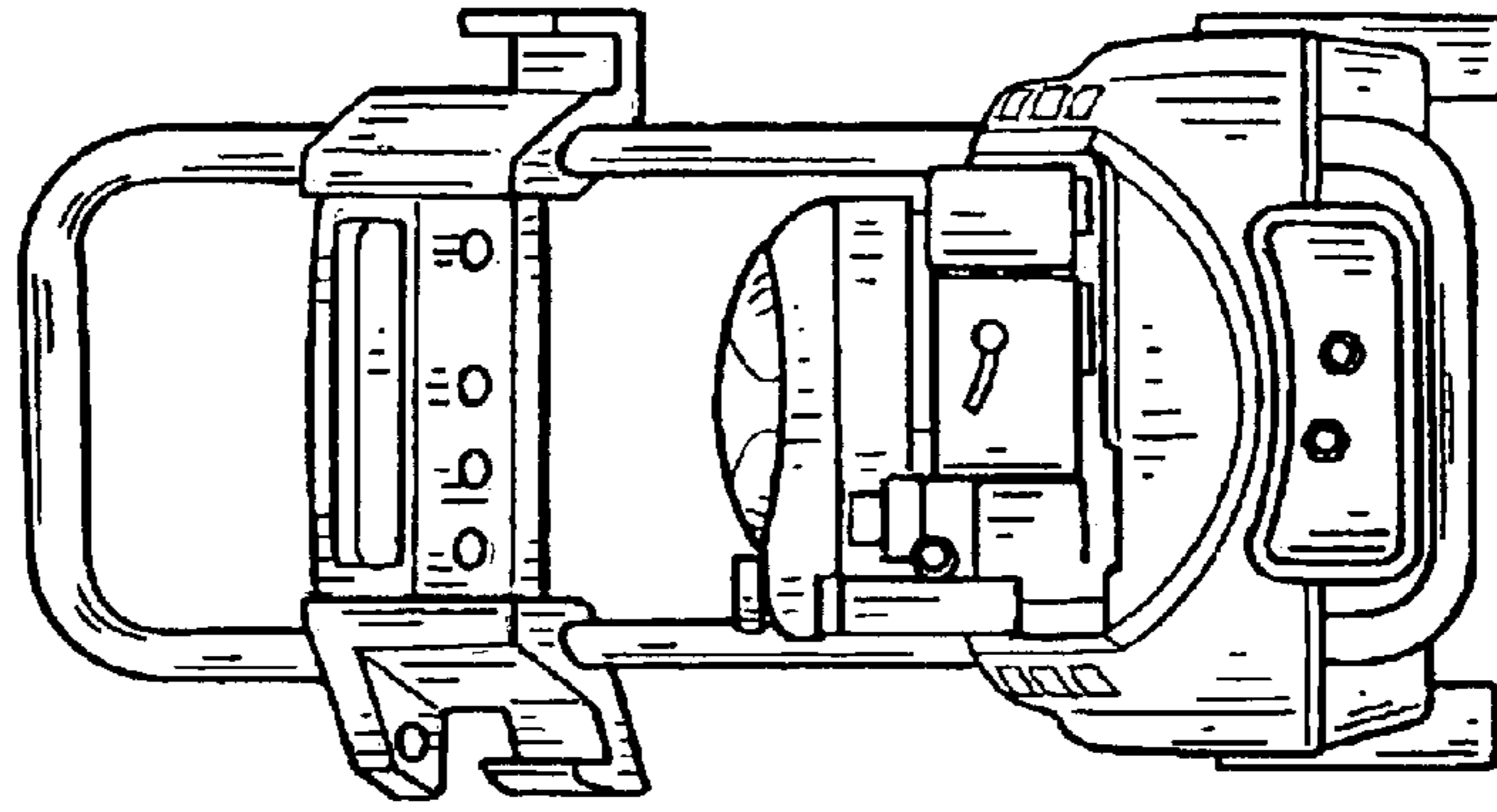


FIG. 4

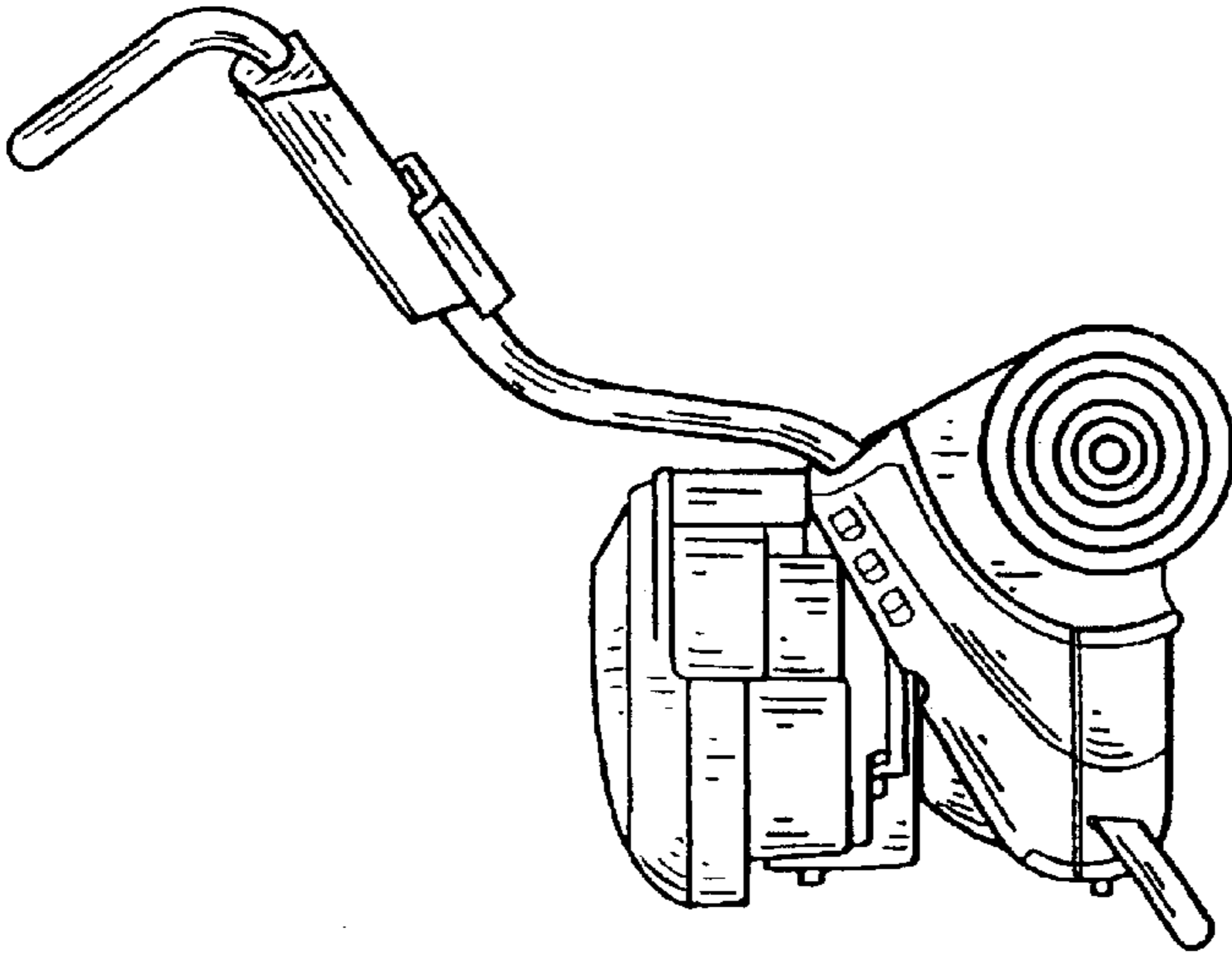


FIG. 6

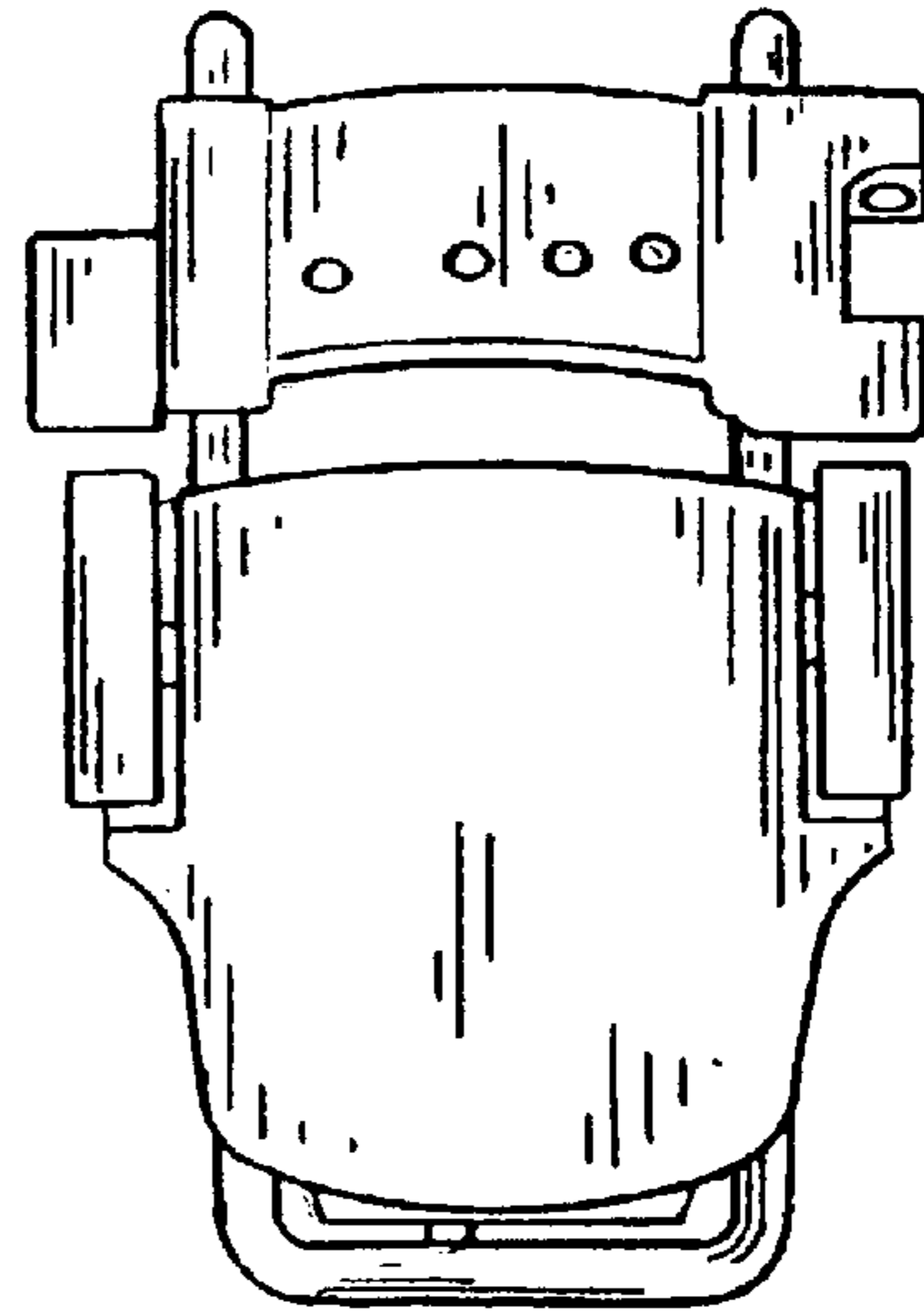


FIG. 7

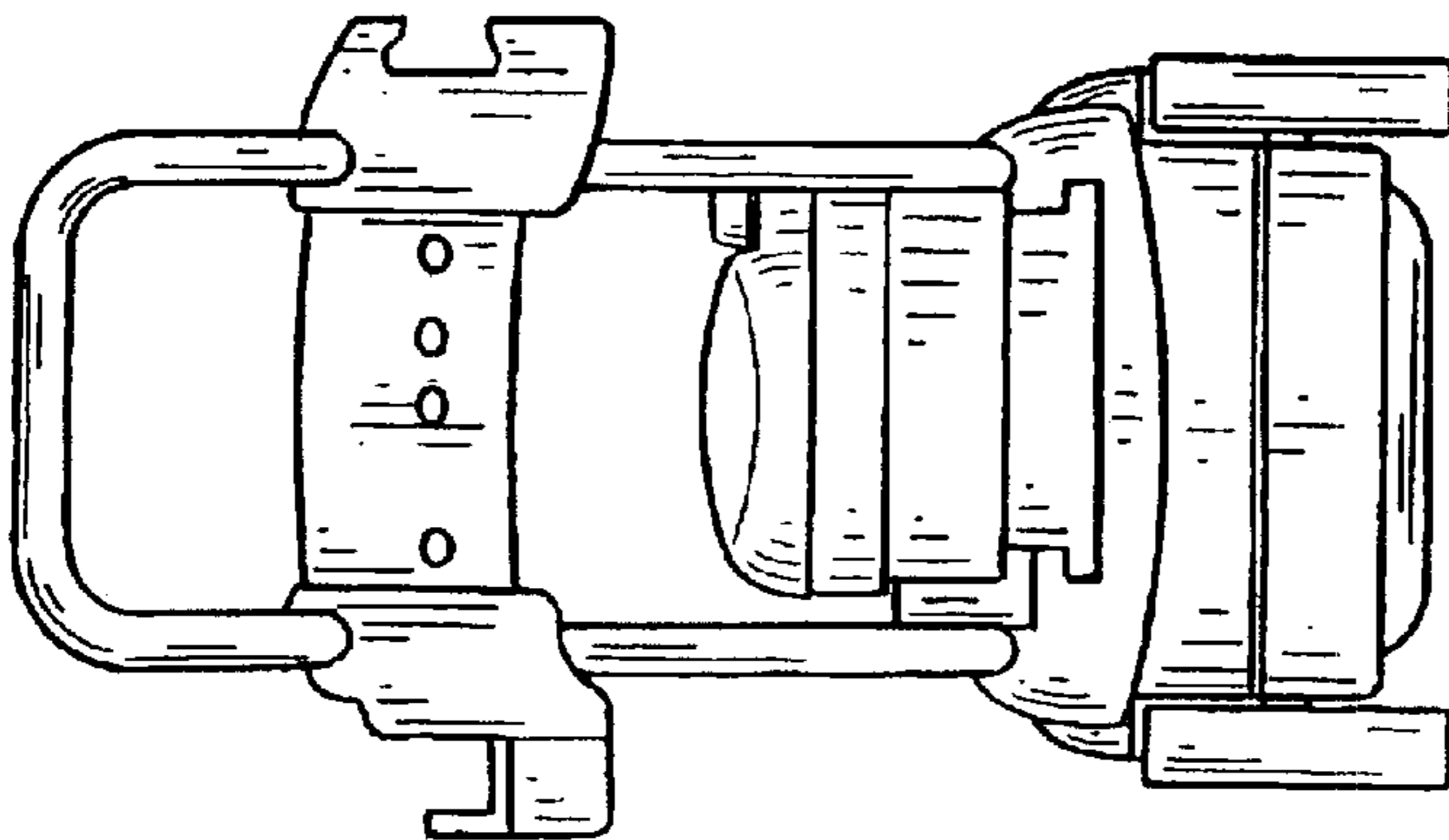


FIG. 5