

US00D499844S

(12) **United States Design Patent**  
**Muramatsu**

(10) **Patent No.:** **US D499,844 S**

(45) **Date of Patent:** **\*\* Dec. 14, 2004**

(54) **ELECTRIC HAIR CLIPPER**

(75) Inventor: **Etsushi Muramatsu**, Kanagawa (JP)

(73) Assignee: **Matsushita Electric Works, Ltd.**,  
Osaka (JP)

(\*\*) Term: **14 Years**

(21) Appl. No.: **29/199,486**

(22) Filed: **Feb. 12, 2004**

(30) **Foreign Application Priority Data**

Aug. 22, 2003 (JP) ..... 2003-024258

(51) **LOC (7) Cl.** ..... **28-03**

(52) **U.S. Cl.** ..... **D28/53**

(58) **Field of Search** ..... D28/44, 44.1,  
D28/49-54; 30/32, 34.05, 34, 195, 201,  
208, 210, 526

(56) **References Cited**

**U.S. PATENT DOCUMENTS**

D408,586 S *	4/1999	Nielsen et al.	.....	D28/53
6,279,234 B1 *	8/2001	Chaouachi et al.	.....	30/201
D479,363 S *	9/2003	Micinilio	.....	D28/53
2003/0029042 A1 *	2/2003	Wilcox	.....	30/34.1
2003/0233755 A1 *	12/2003	Braun et al.	.....	30/210

\* cited by examiner

*Primary Examiner*—Jennifer Rivard  
(74) *Attorney, Agent, or Firm*—J.C. Patents

(57) **CLAIM**

The ornamental design for an electric hair clipper, as shown and described.

**DESCRIPTION**

FIG. 1 is a perspective view of an electric hair clipper showing the new design.

FIG. 2 is a front elevational view thereof.

FIG. 3 is a rear elevational view thereof.

FIG. 4 is a left side elevational view thereof.

FIG. 5 is a right side elevational view thereof.

FIG. 6 is a top plan view thereof.

FIG. 7 is a bottom plan view thereof.

FIG. 8 is a cross-sectional view taken along line 8—8 in FIG. 2 with the internal parts omitted.

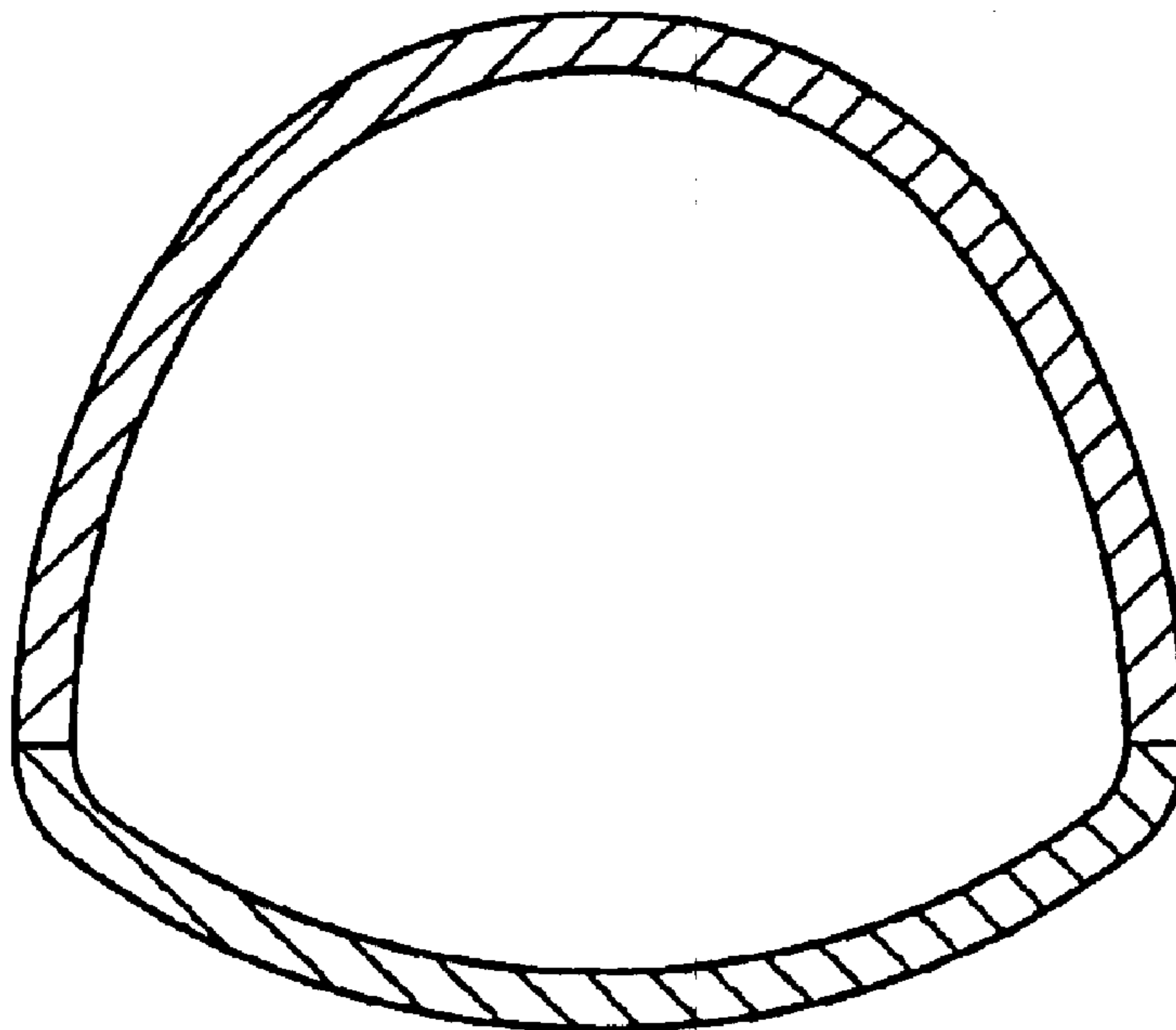
FIG. 9 is an enlarged end elevational view in section taken along line 9—9 in FIG. 2 with the internal parts omitted.

FIG. 10 is an enlarged end elevational view in section taken along line 10—10 in FIG. 2 with the internal parts omitted.

FIG. 11 is a perspective view thereof with the attachment removed; and,

FIG. 12 is a perspective view thereof with the attachment raised.

**1 Claim, 10 Drawing Sheets**



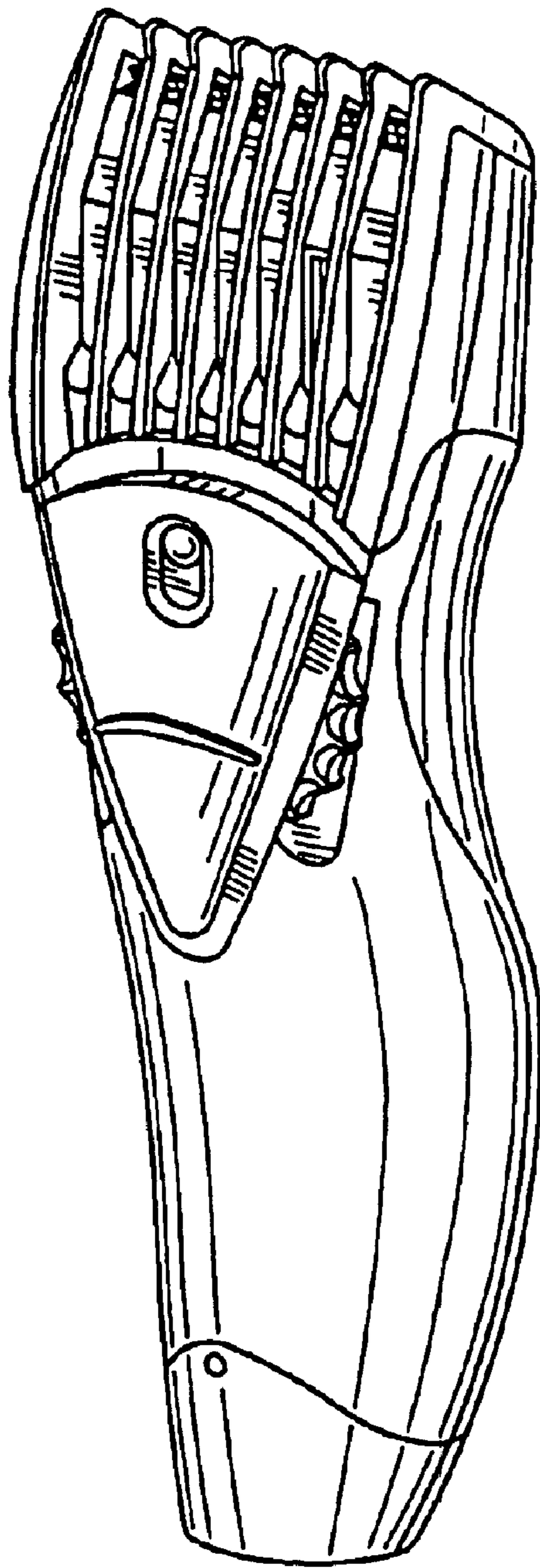


FIG. 1

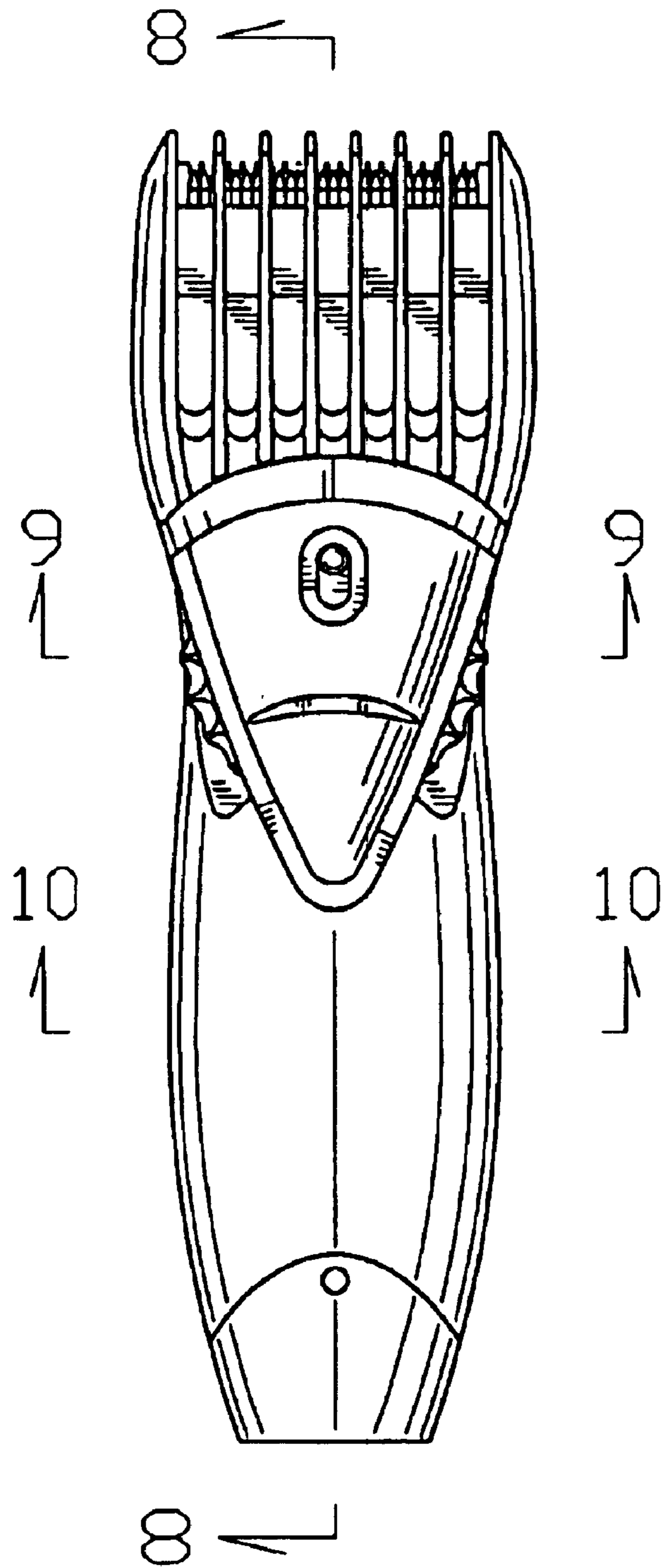


FIG. 2

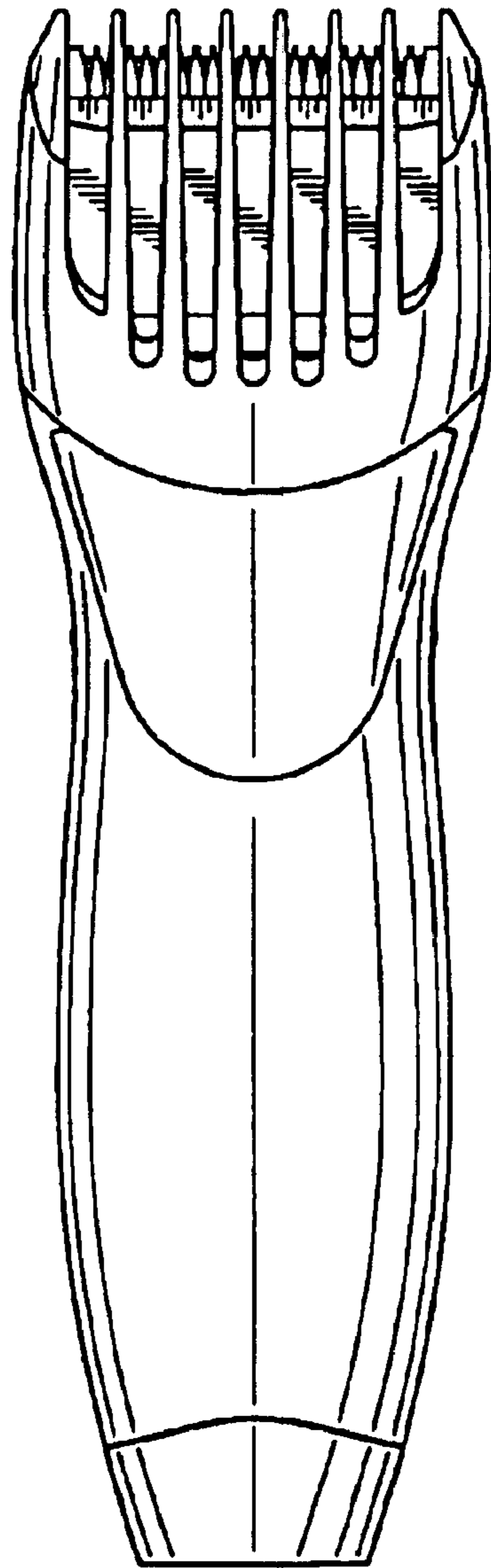


FIG. 3

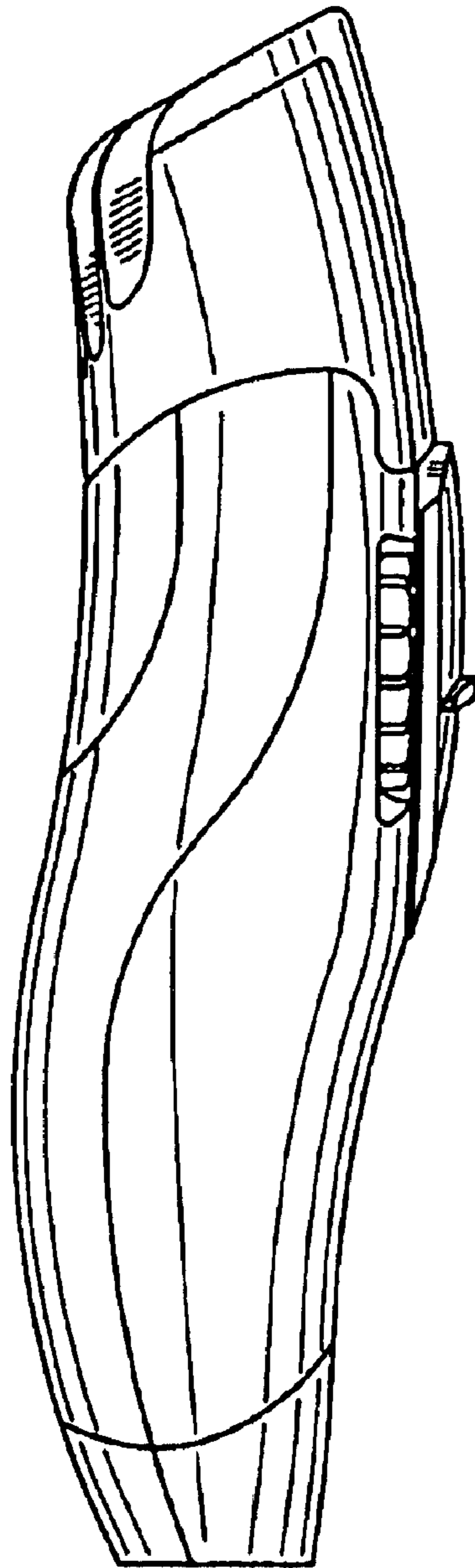


FIG. 4



FIG. 5

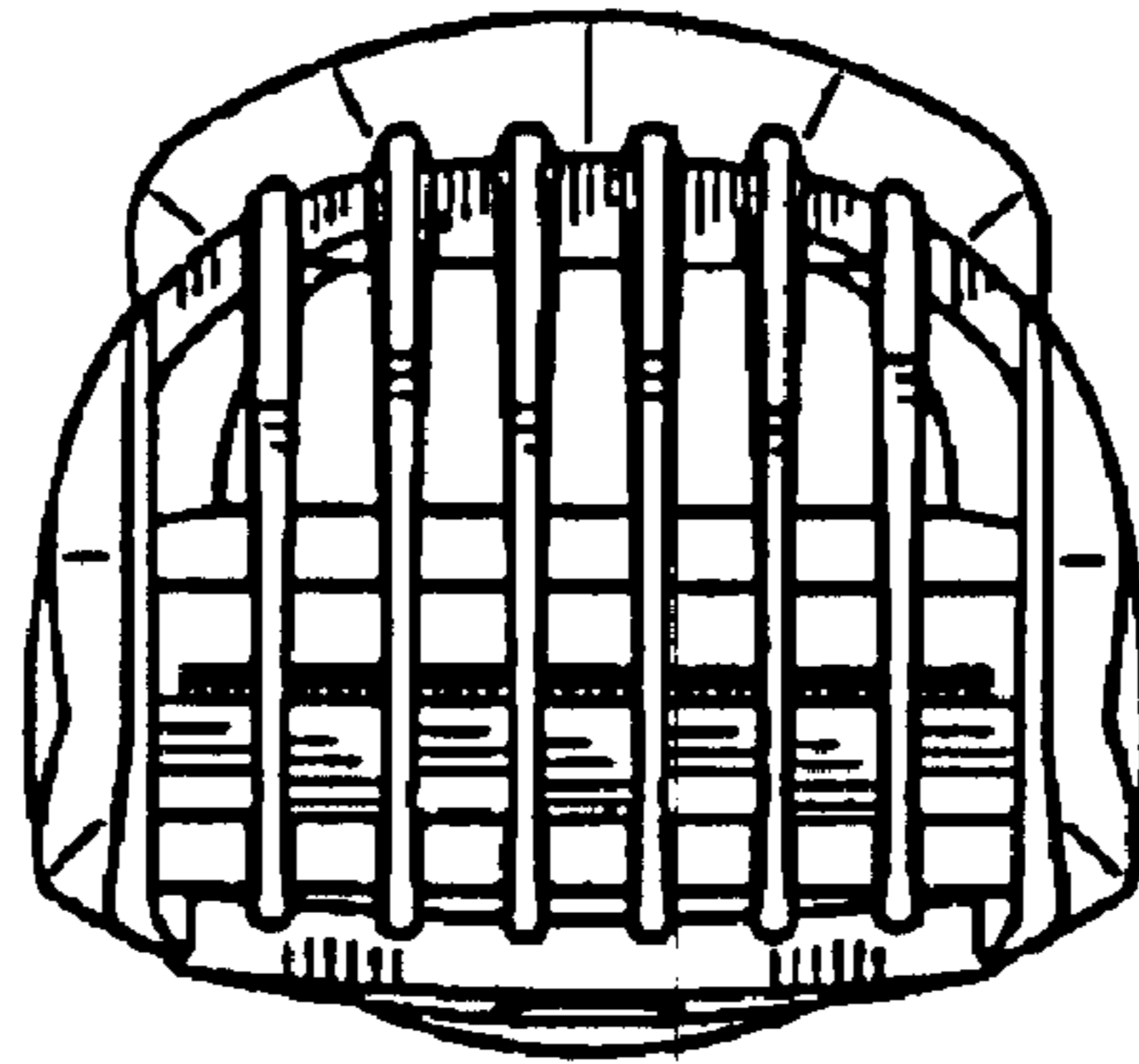


FIG. 6

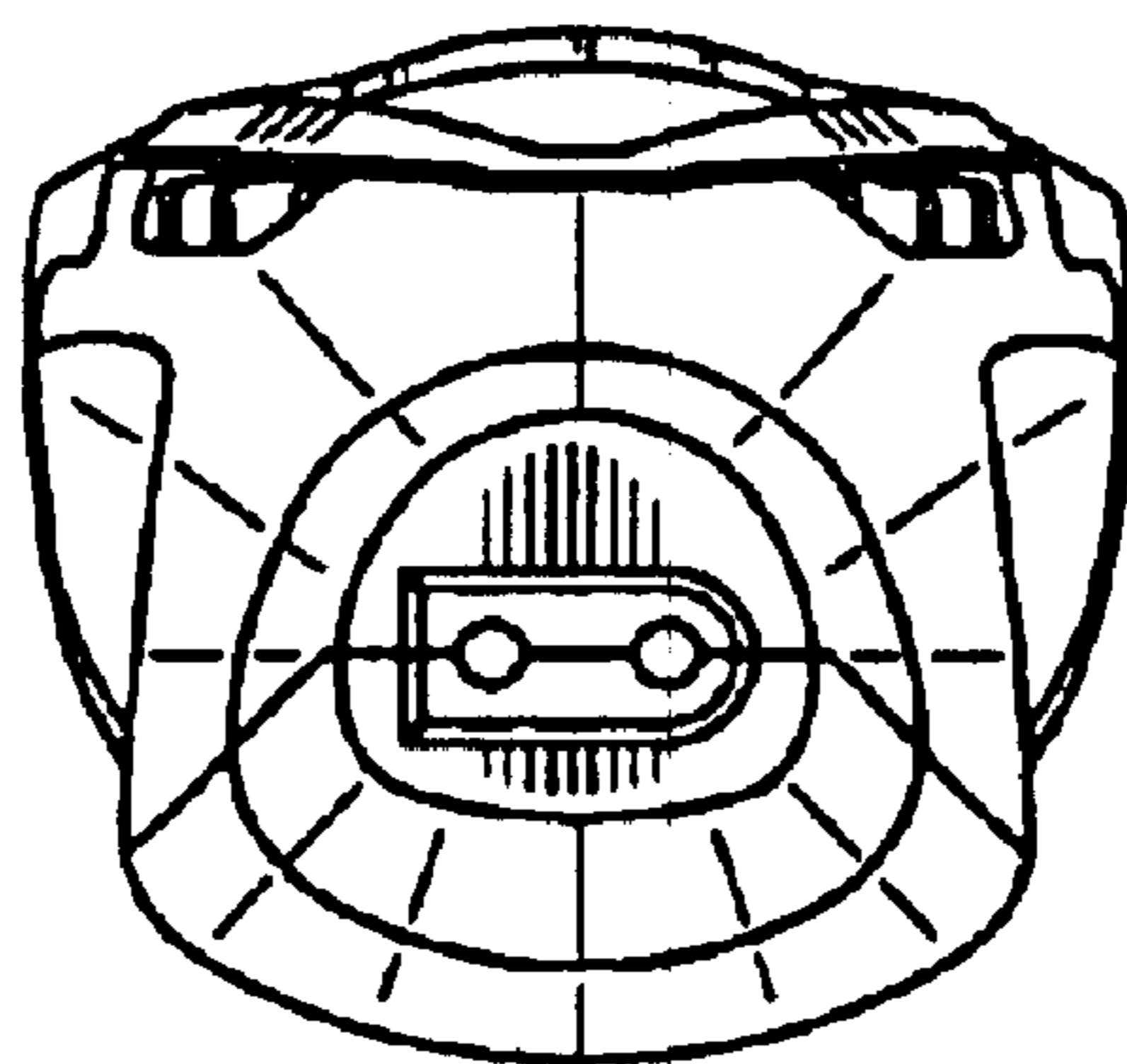


FIG. 7

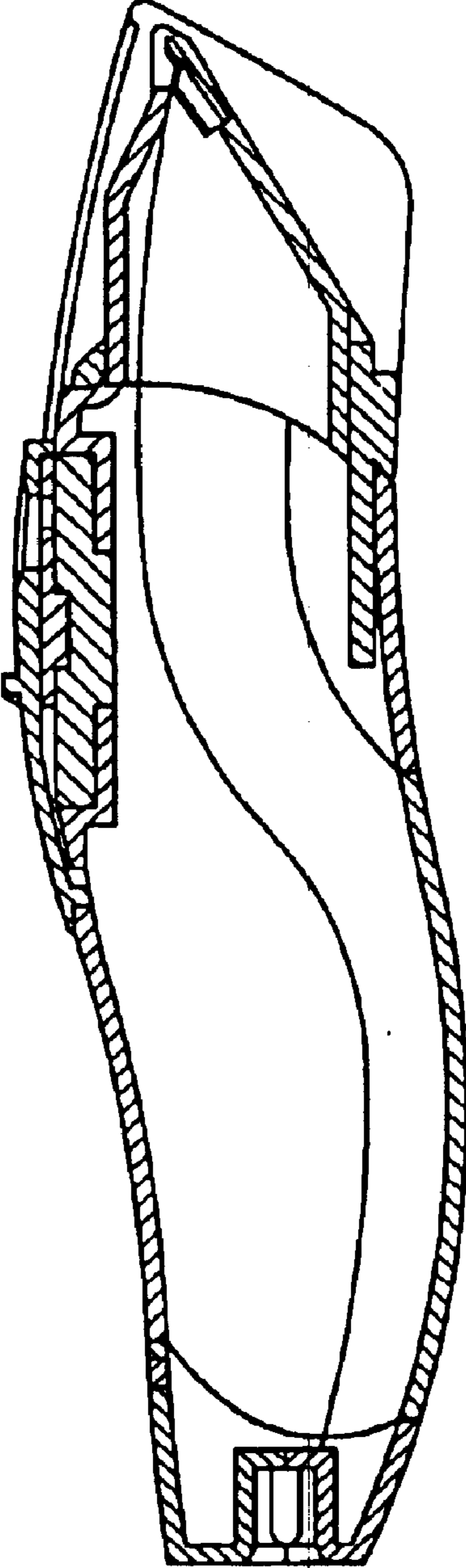


FIG. 8



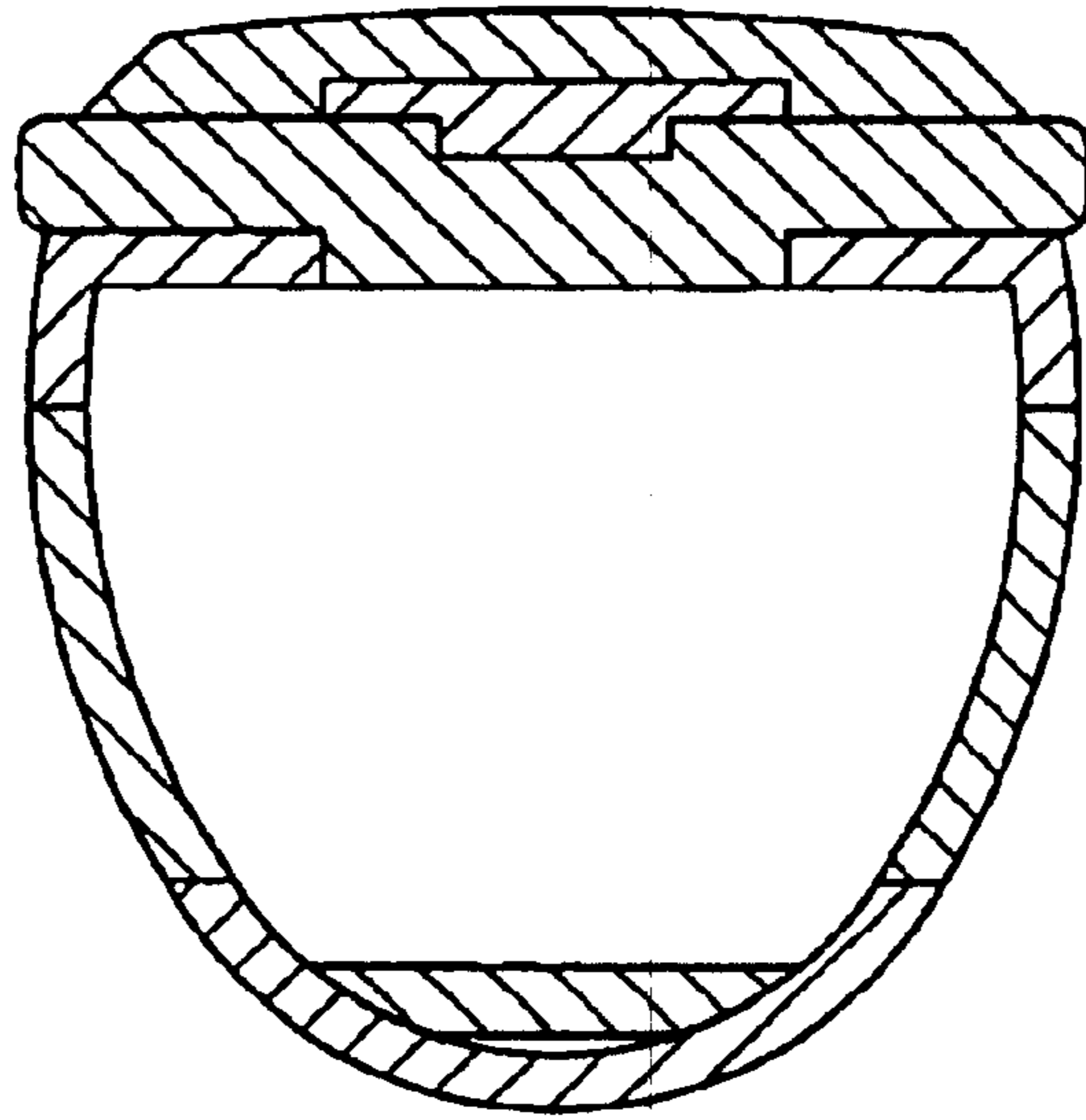


FIG. 9

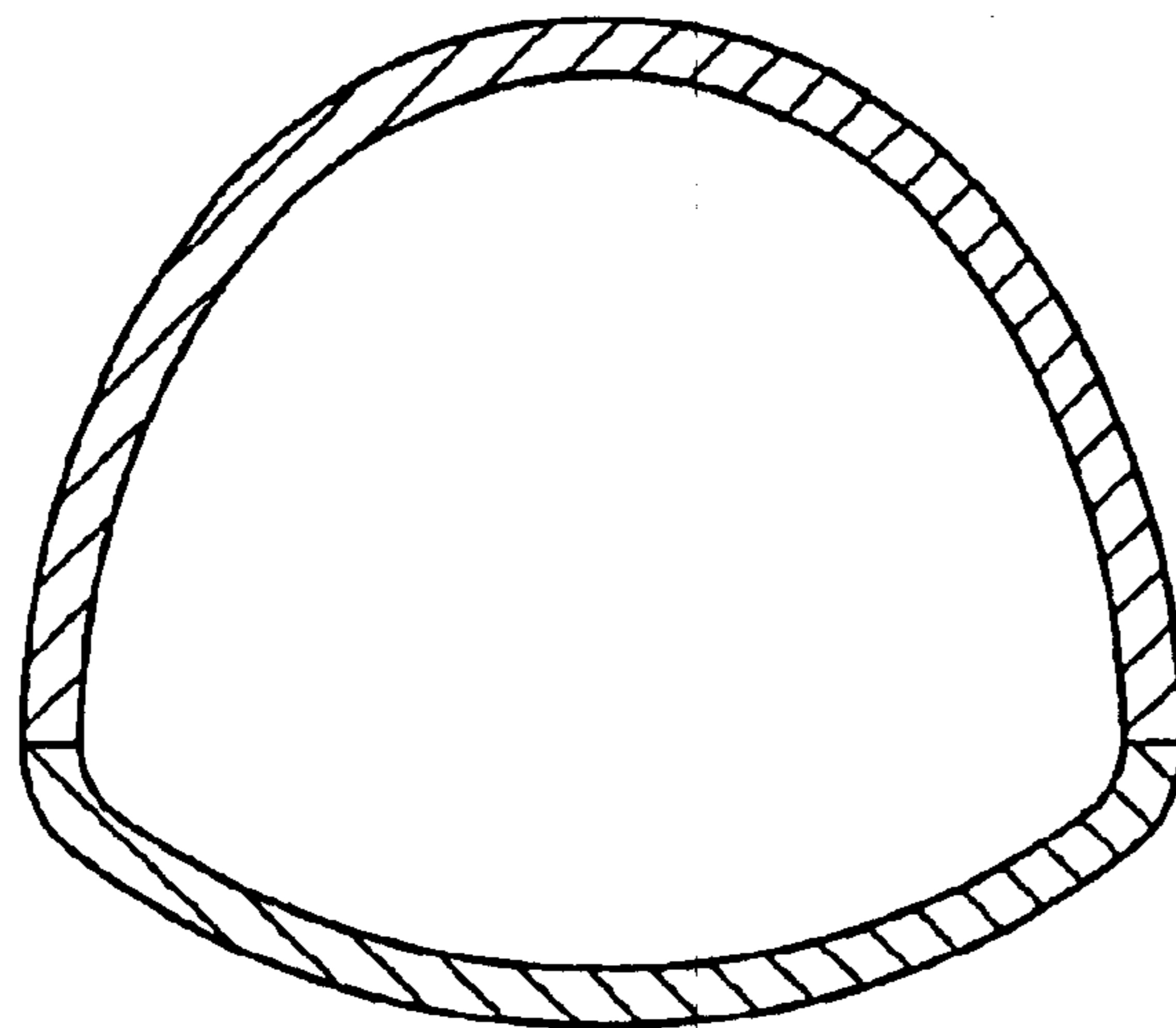


FIG. 10

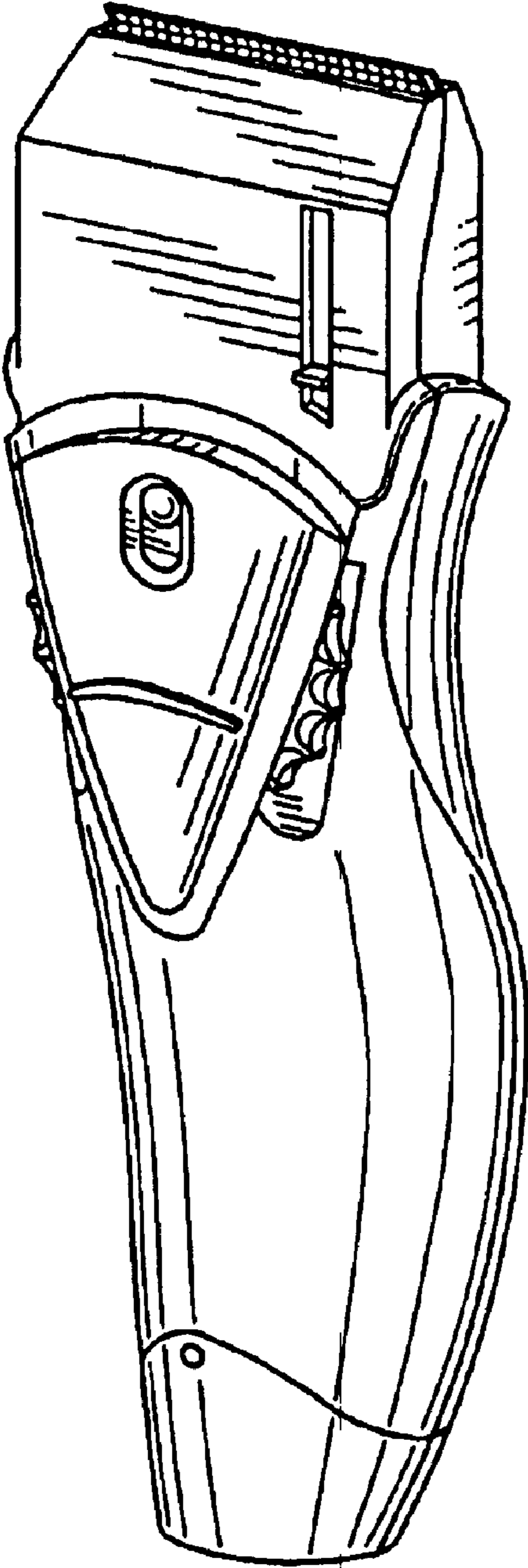


FIG. 11

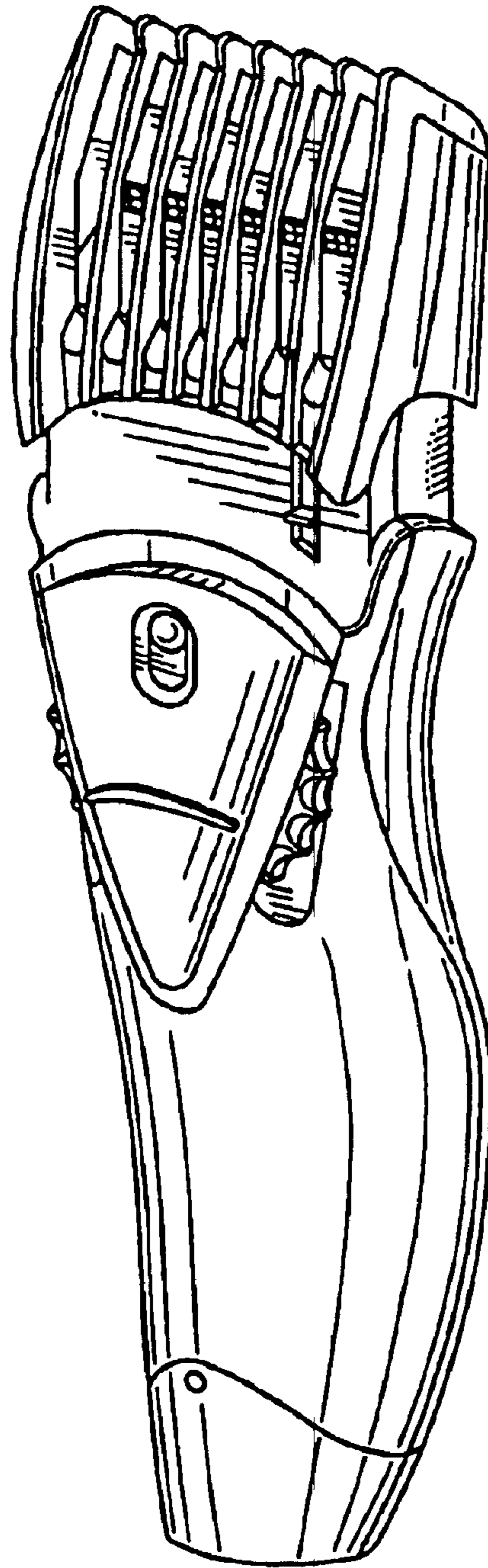


FIG. 12