

US00D499834S

(12) **United States Design Patent**
Yu et al.

(10) **Patent No.:** **US D499,834 S**
(45) **Date of Patent:** **** Dec. 14, 2004**

(54) **LAMP COVER USED IN A BACK LIGHT UNIT**

(75) Inventors: **Tai-cheng Yu**, Tu-chen (TW); **Charles Leu**, Fremont, CA (US); **Ga-Lane Chen**, Fremont, CA (US)

(73) Assignee: **Hon Hai Precision Ind. Co., Ltd.**, Taipei Hsien (TW)

(**) Term: **14 Years**

(21) Appl. No.: **29/170,633**

(22) Filed: **Nov. 7, 2002**

(30) **Foreign Application Priority Data**

Oct. 18, 2002 (CN) 091305943 A

(51) **LOC (7) Cl.** **26-99**

(52) **U.S. Cl.** **D26/118**

(58) **Field of Search** 362/217, 260, 362/361, 317, 334, 338, 84, 347, 349, 359, 31; D25/116; 52/607, 608; D26/118, 113, 122-124

(56) **References Cited**

U.S. PATENT DOCUMENTS

D201,986 S * 8/1965 Wince D26/122

D316,613 S * 4/1991 Stein D26/122
5,716,128 A * 2/1998 Clark et al. 362/260
6,543,912 B1 * 4/2003 Simon 362/338
6,588,915 B1 * 7/2003 Chen 362/260
2001/0033483 A1 * 10/2001 Moore 362/260

* cited by examiner

Primary Examiner—Jennifer Rivard

(74) *Attorney, Agent, or Firm*—Wei Te Chung

(57) **CLAIM**

The ornamental design for a lamp cover used in a back light unit, as shown and described.

DESCRIPTION

FIG. 1 is a perspective view of a lamp cover used in back light unit of our new design;

FIG. 2 is a front elevational view thereof;

FIG. 3 is a rear elevational view thereof;

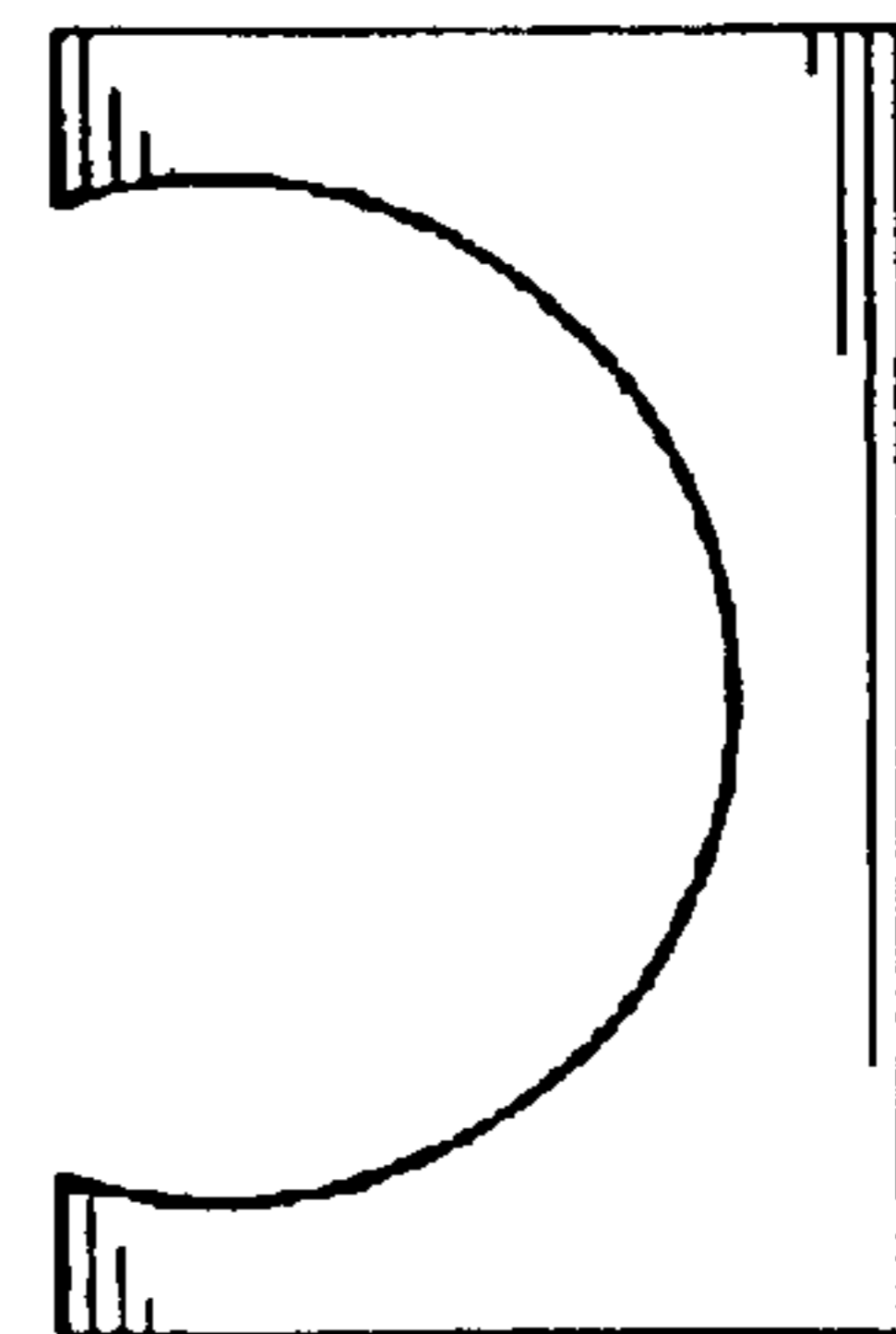
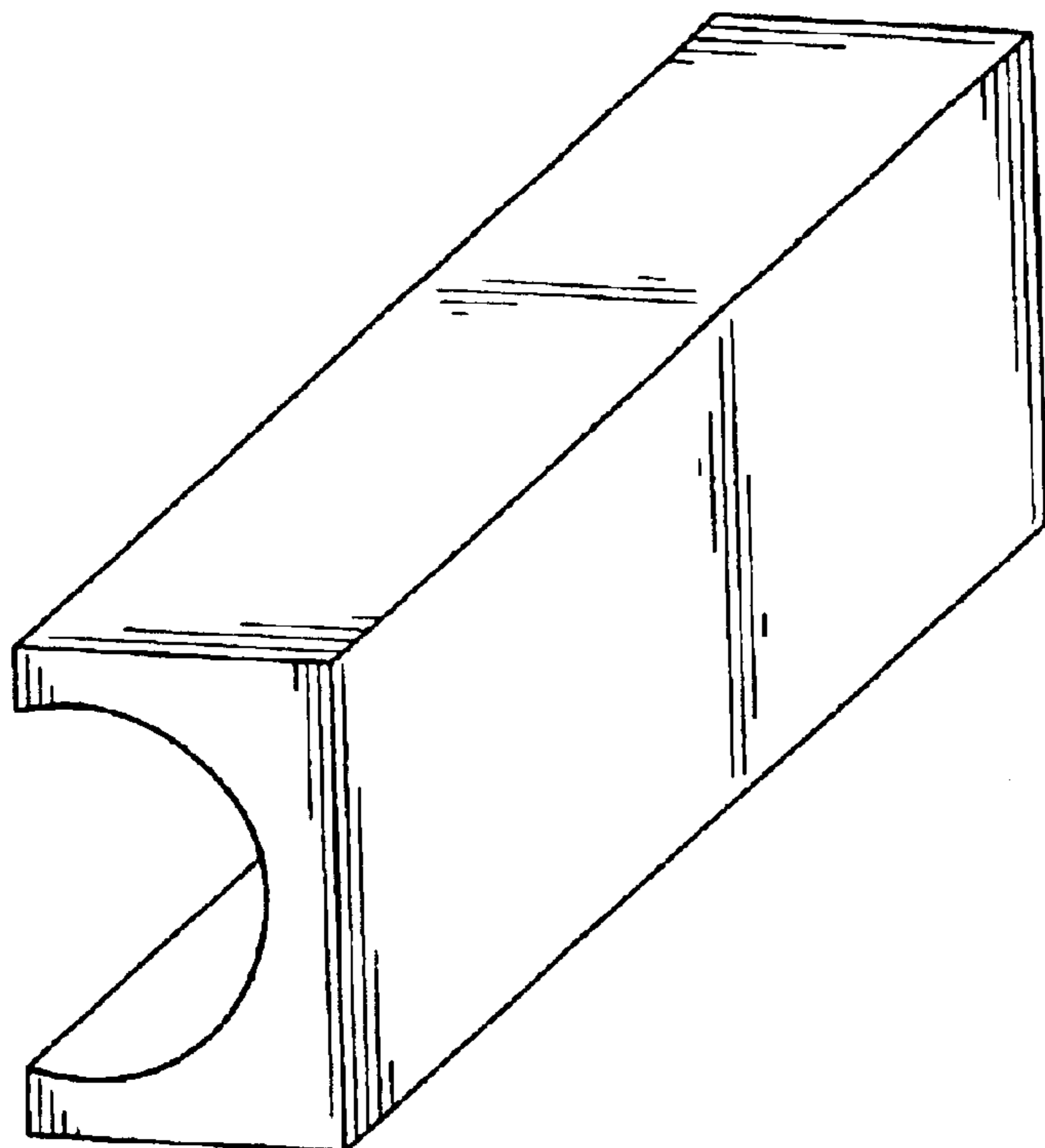
FIG. 4 is a left side elevational view thereof;

FIG. 5 is a right side elevational view thereof;

FIG. 6 is a top plan view thereof; and,

FIG. 7 is a bottom plan view thereof.

1 Claim, 5 Drawing Sheets



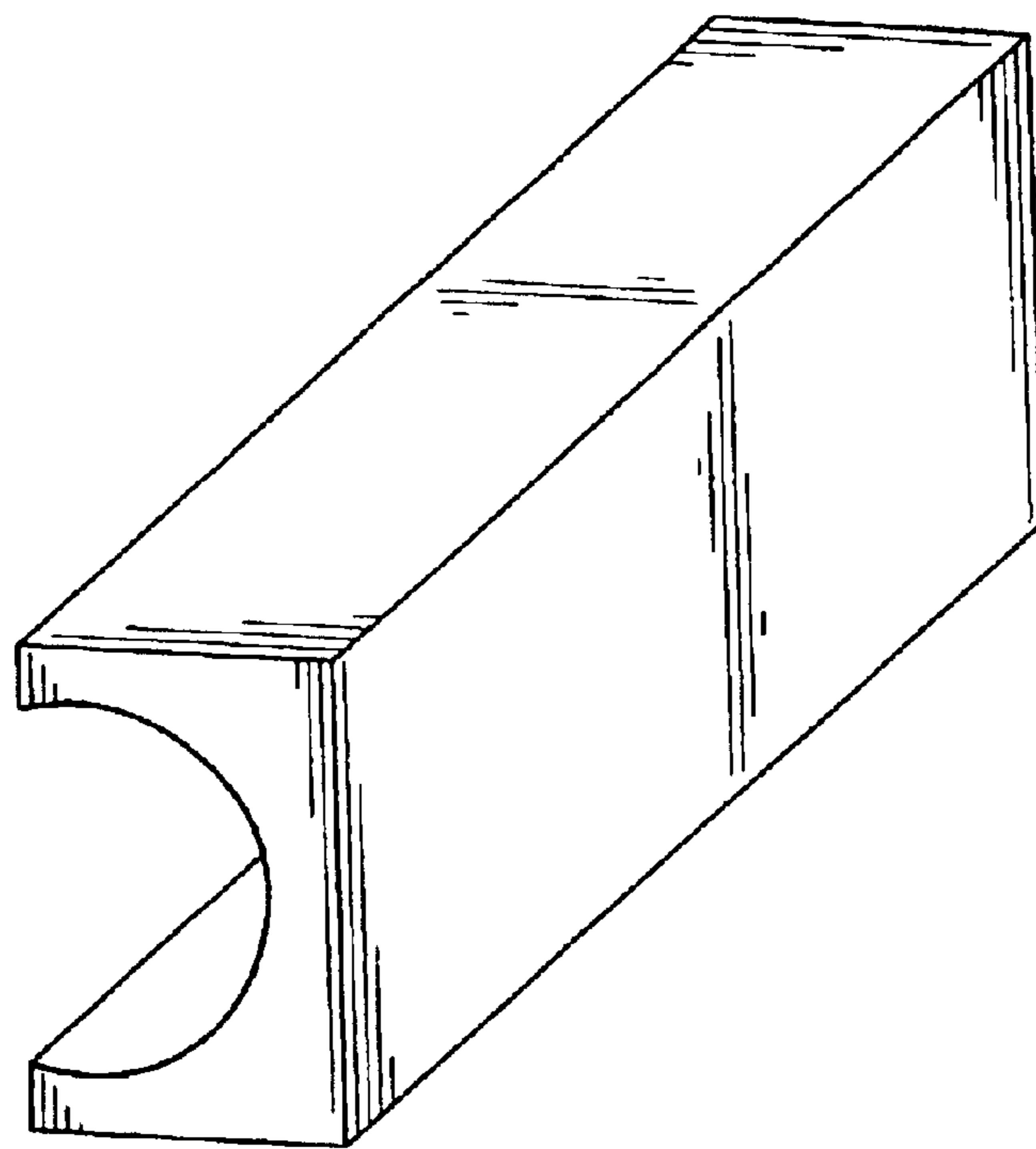


FIG. 1

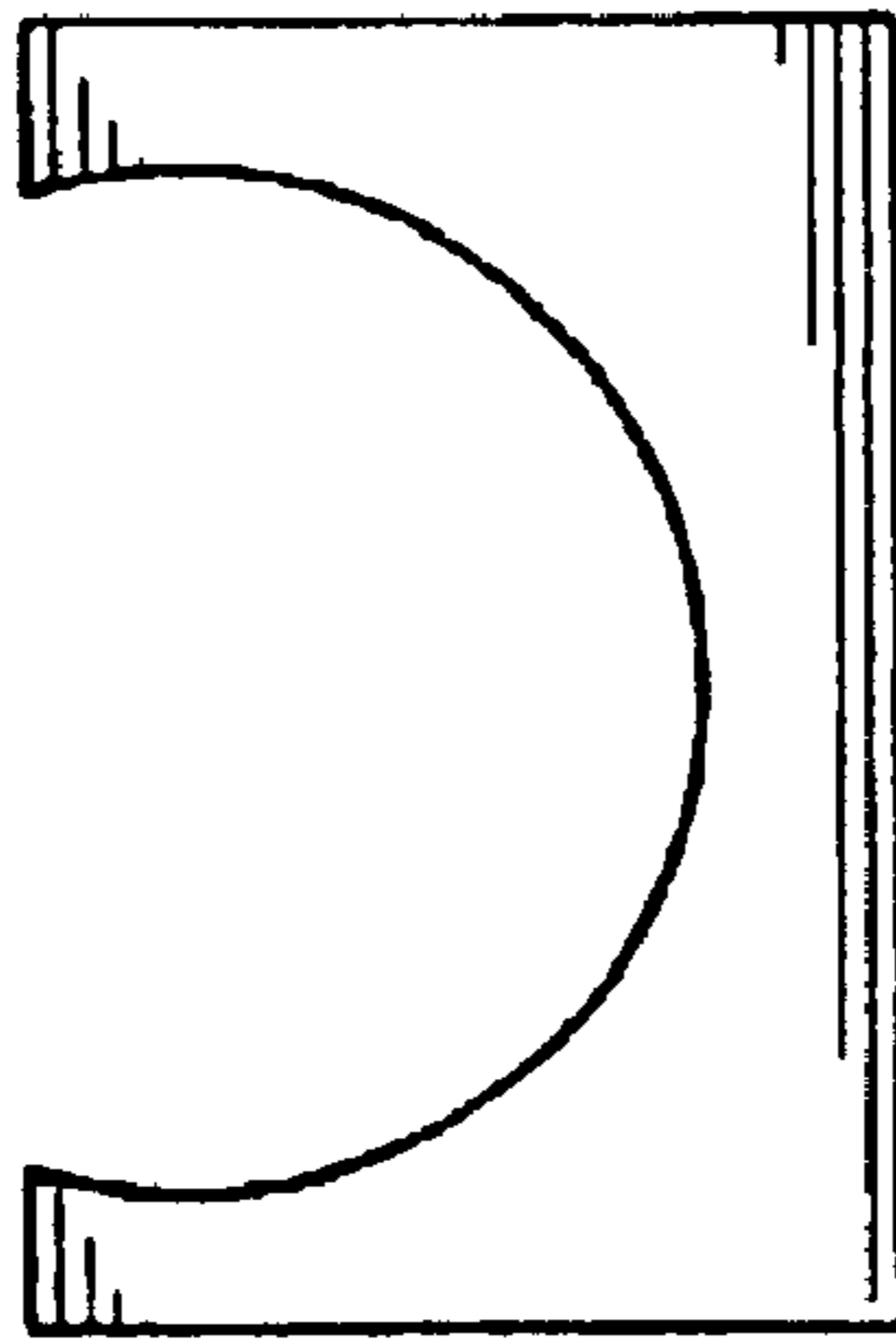


FIG. 2

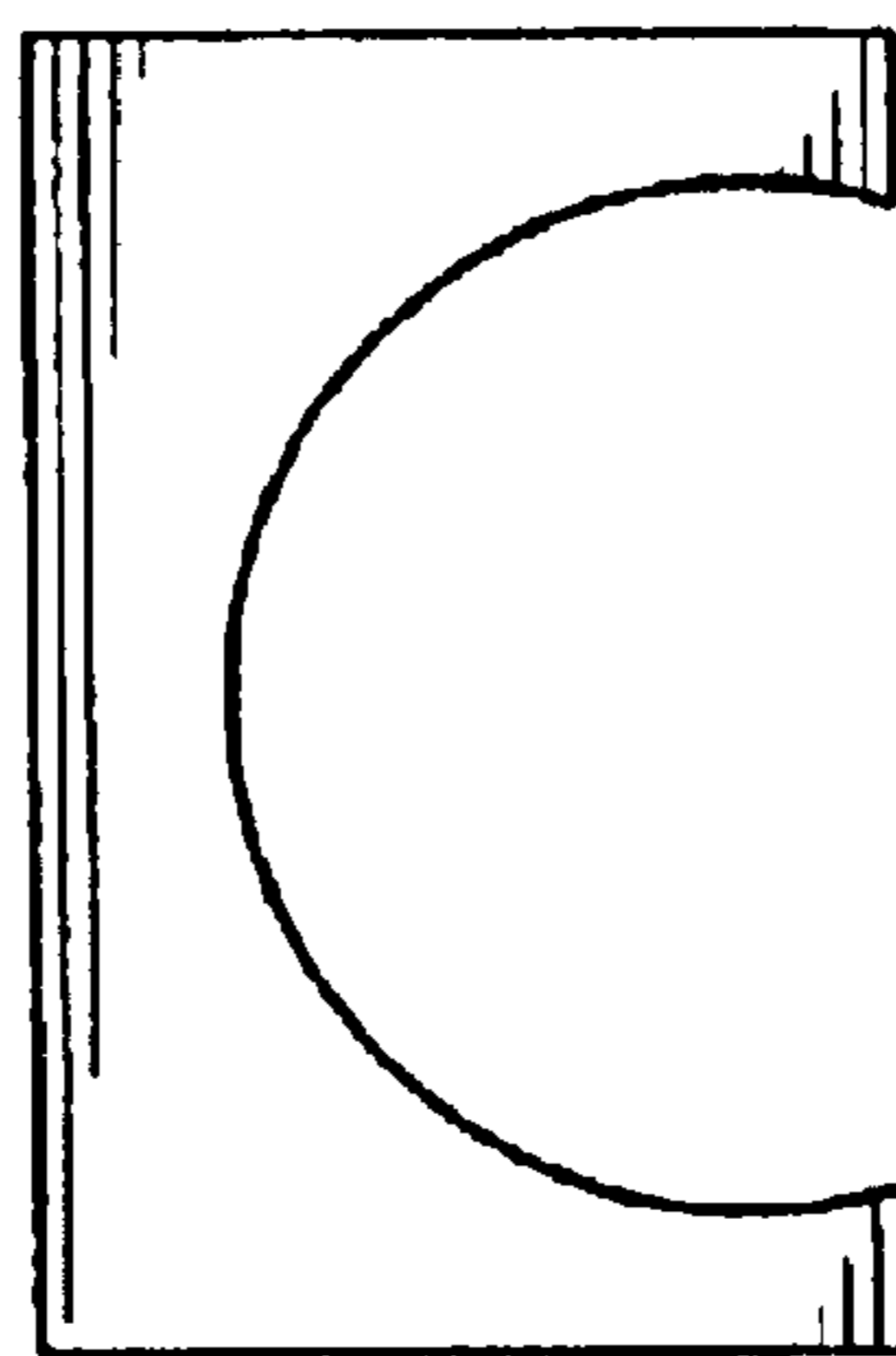


FIG. 3

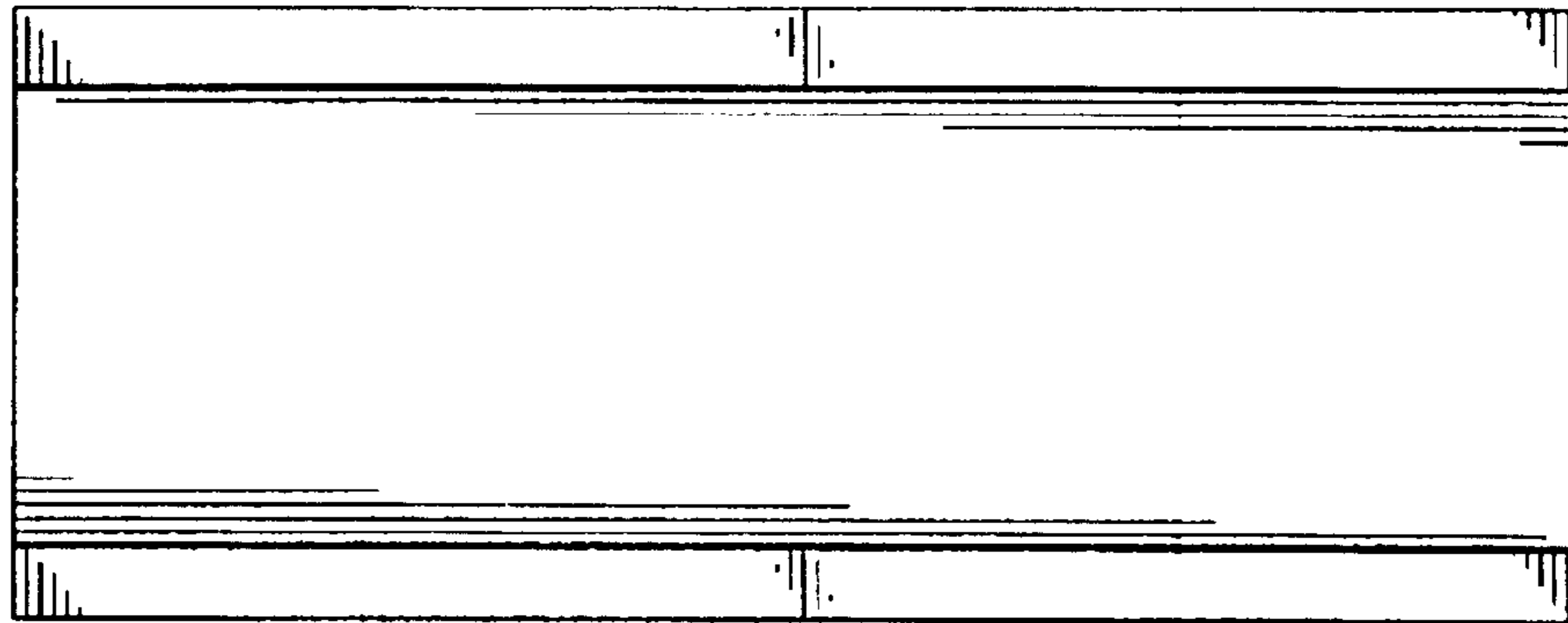


FIG. 4

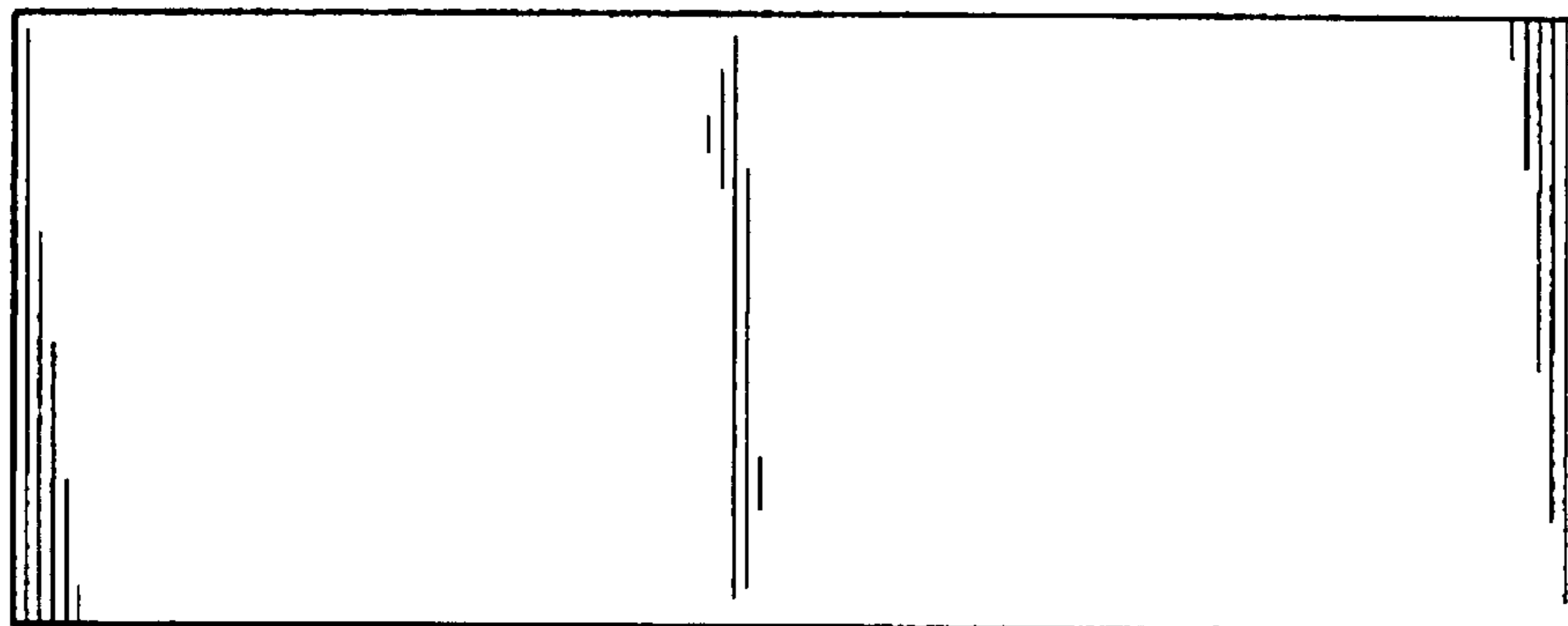


FIG. 5

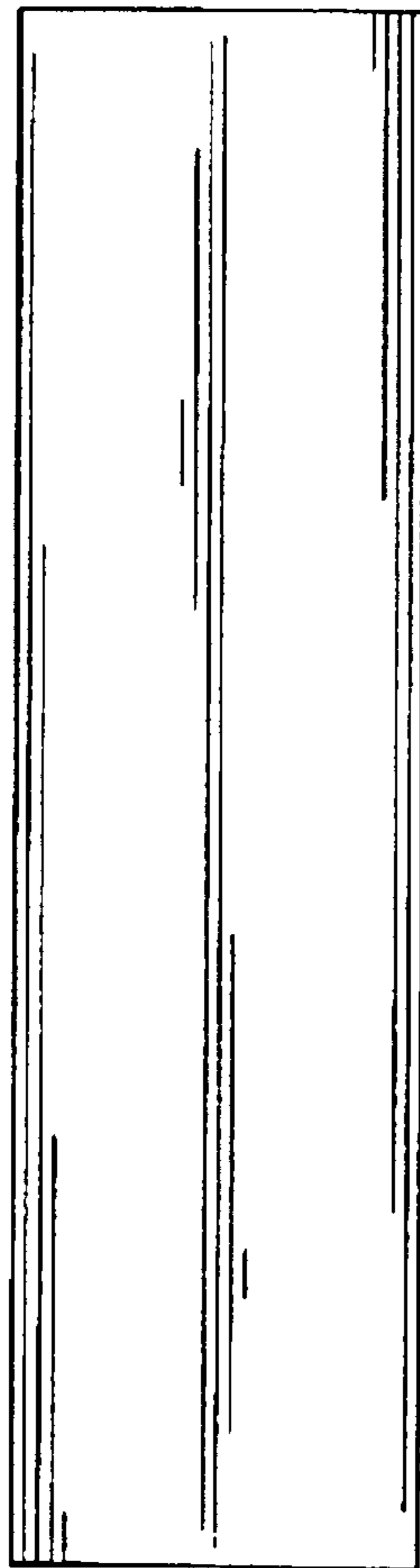


FIG. 6

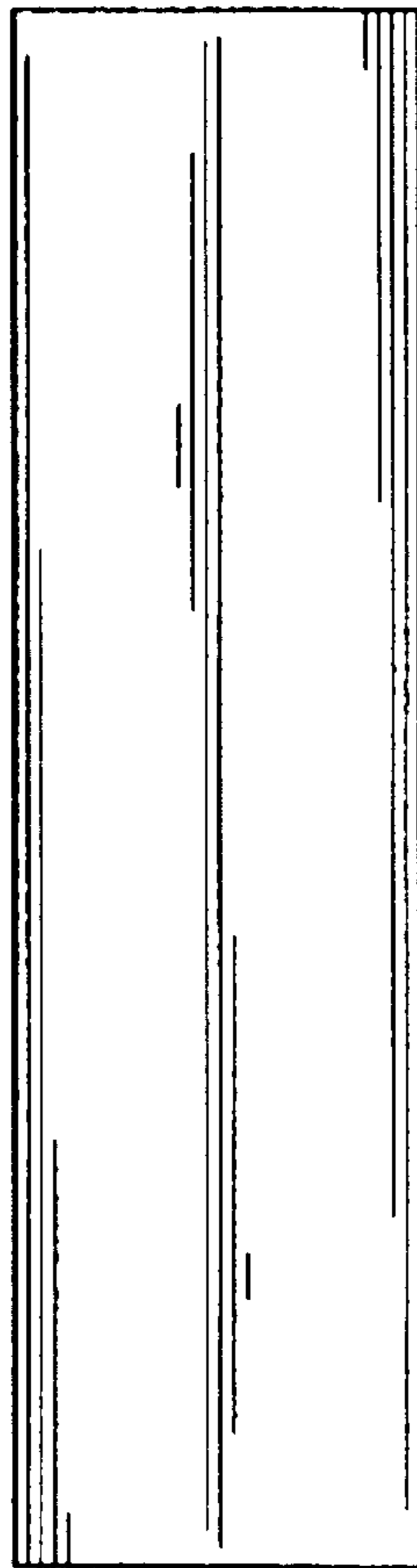


FIG. 7