

US00D499833S

(12) **United States Design Patent**
Chen

(10) **Patent No.:** **US D499,833 S**

(45) **Date of Patent:** **** Dec. 14, 2004**

(54) **CONSTELLATION SOLAR LIGHT**

(75) **Inventor:** **Chi Gon Chen**, Guang Shou (CN)

(73) **Assignee:** **International Development Corporation**, Southlake, TX (US)

(**) **Term:** **14 Years**

(21) **Appl. No.:** **29/202,927**

(22) **Filed:** **Apr. 7, 2004**

(51) **LOC (7) Cl.** **26-05**

(52) **U.S. Cl.** **D26/68; D26/67**

(58) **Field of Search** D26/67-72, 87,
D26/92, 118; 362/152, 153, 153.1, 159,
183, 266, 363, 431, 432

(56) **References Cited**

U.S. PATENT DOCUMENTS

D197,438 S	*	2/1964	Harling	D26/67
D323,567 S	*	1/1992	Denison et al.	D26/68
D382,662 S	*	8/1997	Shalvi	D26/68
D391,384 S	*	2/1998	Lerch	D26/67
5,954,426 A	*	9/1999	Whittington	362/414
D445,209 S		7/2001	Chen		
D445,210 S		7/2001	Chen		
D445,524 S		7/2001	Chen		
D445,525 S		7/2001	Pan		
D445,939 S		7/2001	Pan		
D451,620 S		12/2001	Chen		
D452,029 S		12/2001	Chen		
D457,979 S		5/2002	Chen		
D464,456 S	*	10/2002	Chang	D26/67
D466,243 S		11/2002	Chen		
D468,470 S		1/2003	Chen		
D468,471 S		1/2003	Chen		
D469,907 S		2/2003	Chen		
D469,908 S		2/2003	Chen		
D469,909 S		2/2003	Chen		
D483,138 S		12/2003	Chen		
D484,630 S		12/2003	Chen		

D484,631 S	12/2003	Chen
D485,000 S	1/2004	Chen
D485,001 S	1/2004	Chen
D485,930 S	1/2004	Chen
D488,576 S	4/2004	Chen
6,719,442 B1	4/2004	Chen

FOREIGN PATENT DOCUMENTS

CA	99516	6/2003
CA	99517	6/2003
CA	99518	6/2003
CA	99519	6/2003
CA	100603	2/2004

OTHER PUBLICATIONS

Crystal Light #LX3/ML30403 from INTERMATIC'S Standard Series Malibu Lighting. Found online at intermatic.com on Aug. 24, 2004.*

* cited by examiner

Primary Examiner—Clare E Heflin

(74) *Attorney, Agent, or Firm*—Gardere Wynne Sewell LLP; Kenneth T. Emanuelson

(57) **CLAIM**

The ornamental design for a constellation solar light, as shown and described.

DESCRIPTION

FIG. 1 is a perspective view of a constellation solar light in accordance with my invention;

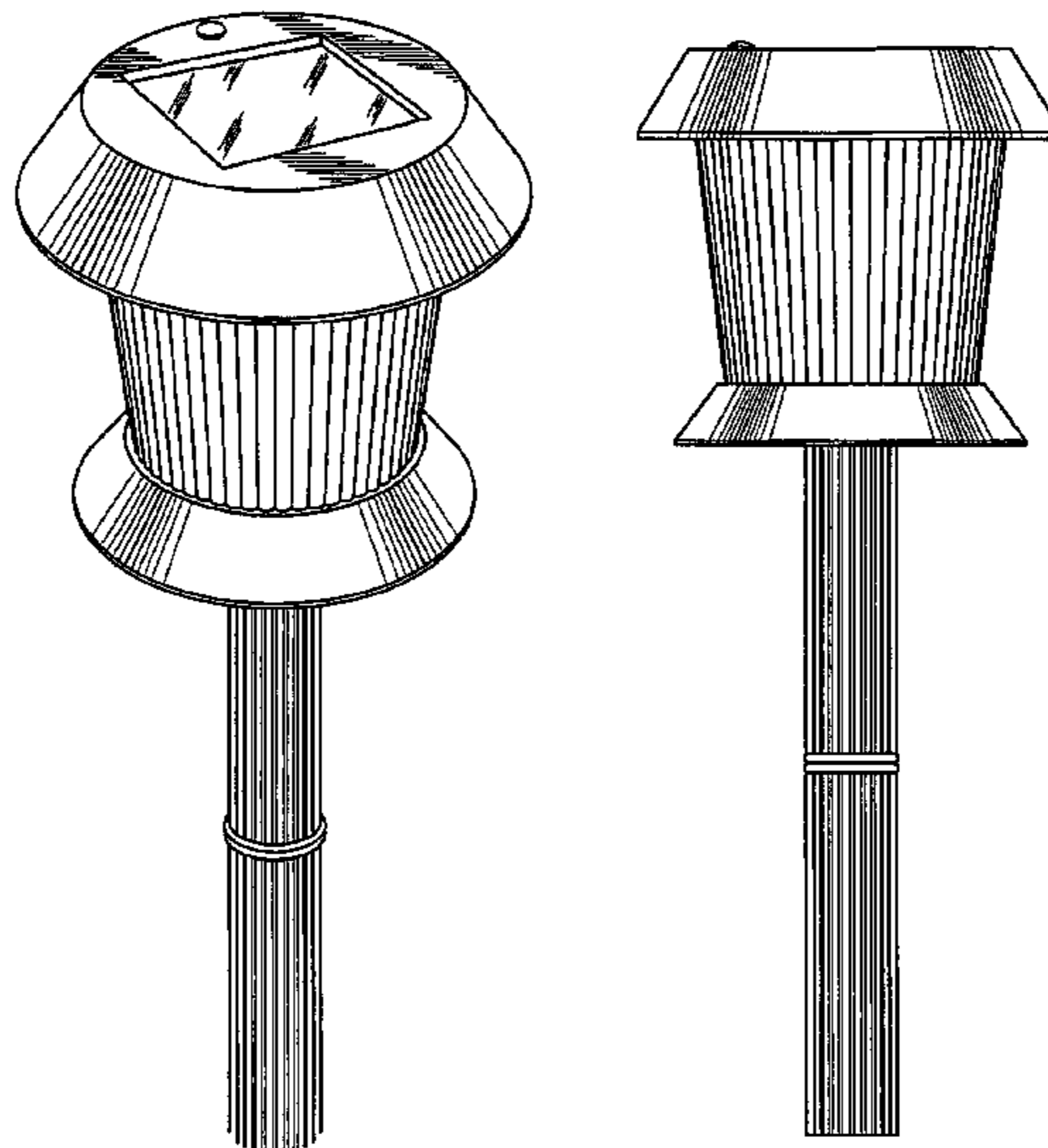
FIG. 2 is a side view of the constellation solar light shown in FIG. 1;

FIG. 3 is a top view of the constellation solar light shown in FIG. 1; and,

FIG. 4 is a bottom view of the constellation solar light shown in FIG. 1.

The broken lines shown on the drawing are for illustrative purposes only and form no part of the claimed design.

1 Claim, 1 Drawing Sheet



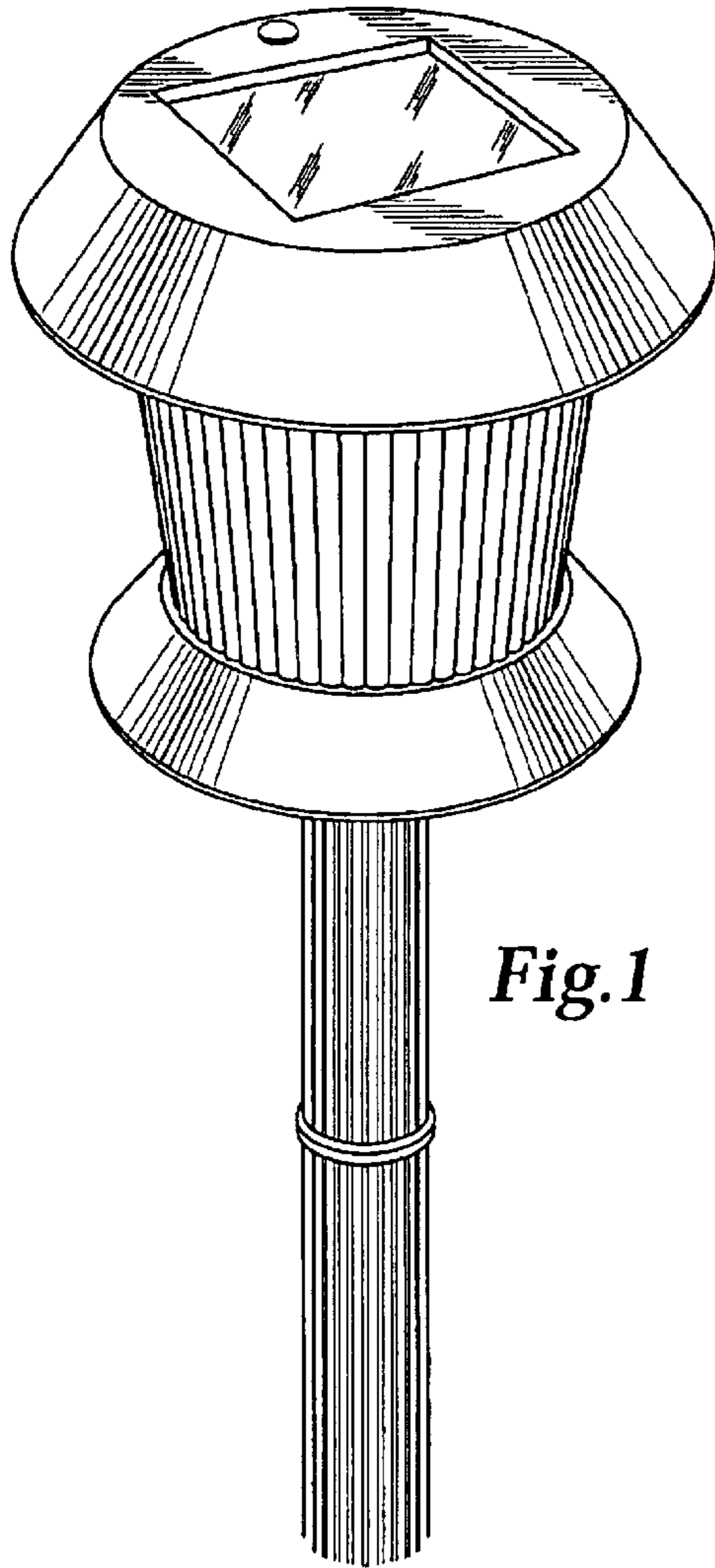


Fig.1

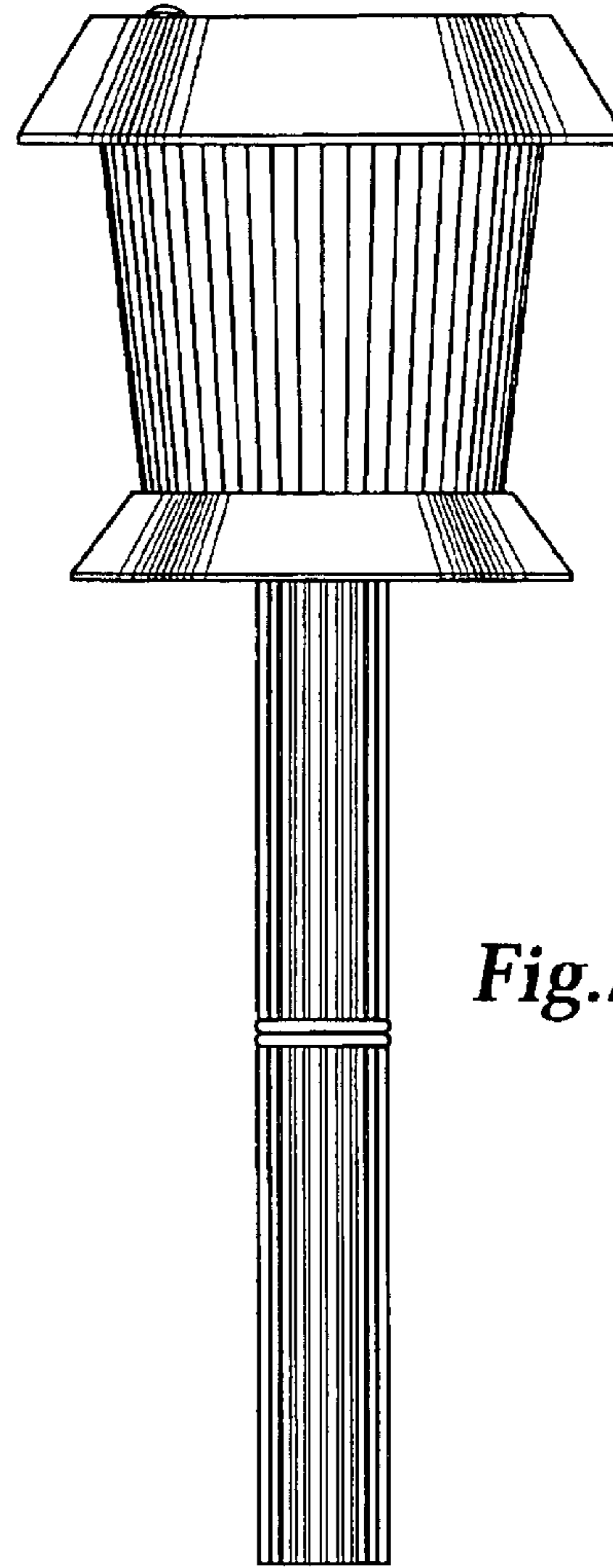


Fig.2

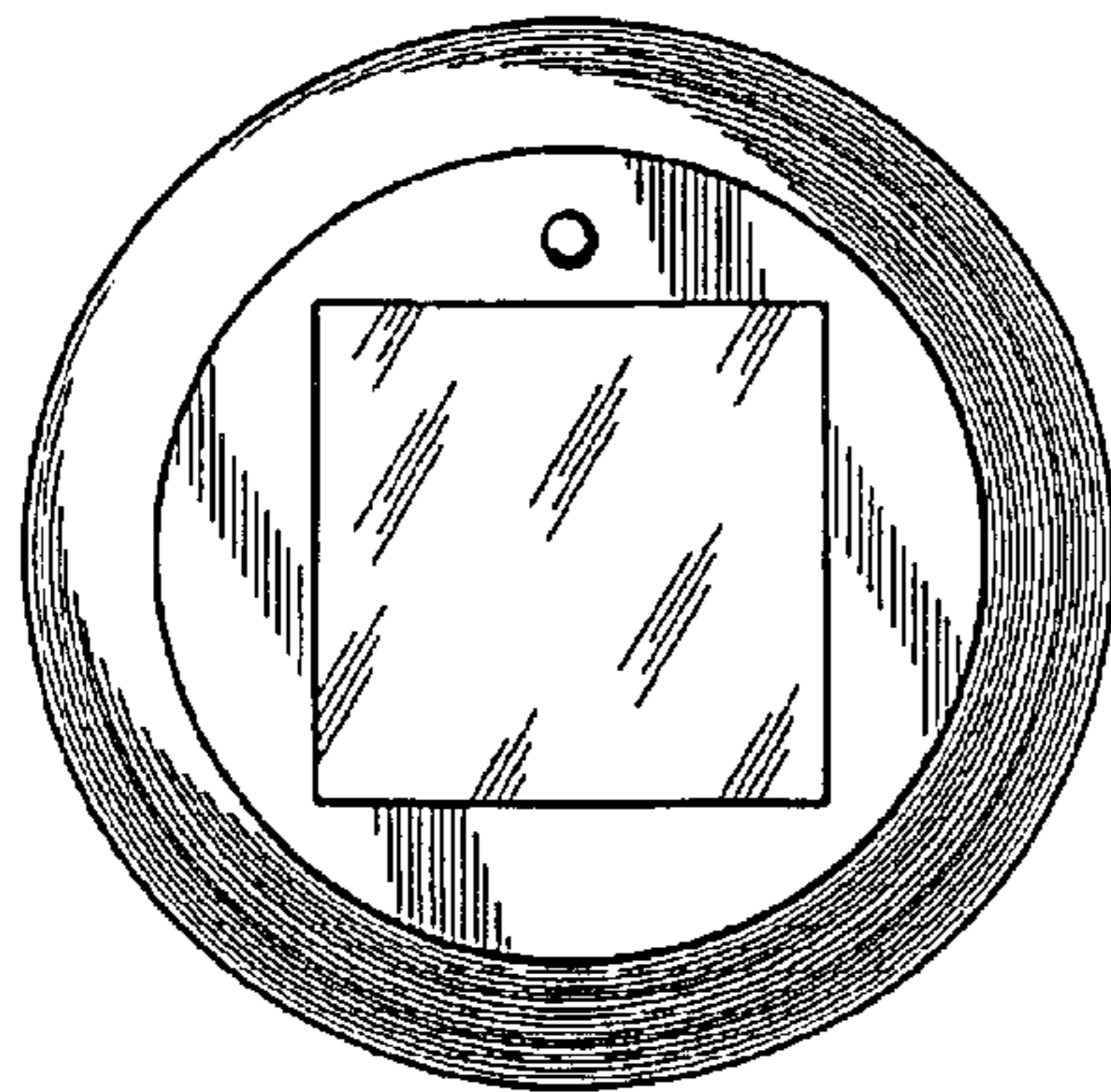


Fig.3

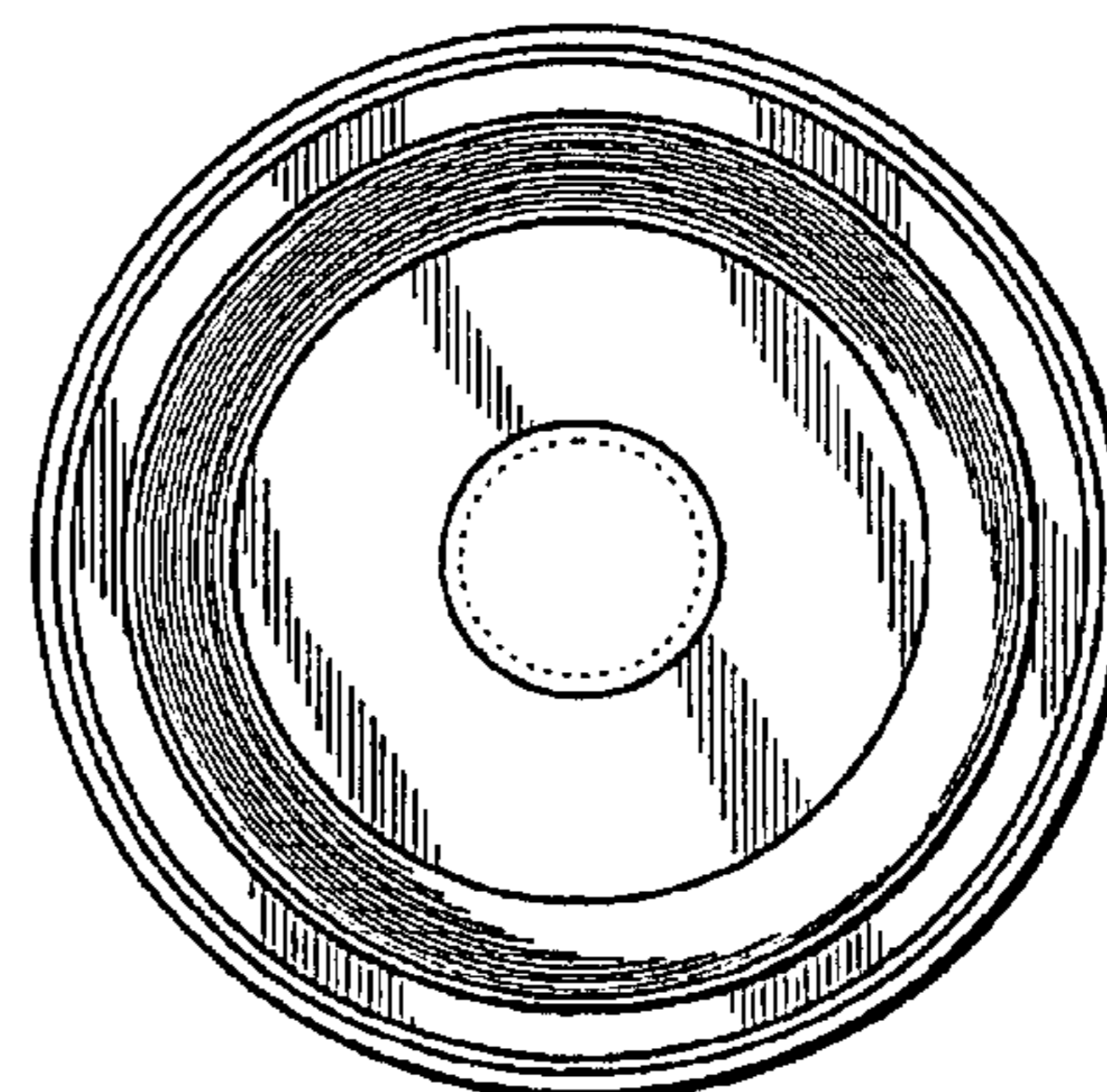


Fig.4