

US00D499832S

(12) **United States Design Patent**
Chen

(10) **Patent No.:** **US D499,832 S**

(45) **Date of Patent:** **** Dec. 14, 2004**

(54) **SOLAR LIGHT**

(75) **Inventor:** **Chi Gon Chen**, Guang Shou (CN)

(73) **Assignee:** **International Development Corporation**, Southlake, TX (US)

(**) **Term:** **14 Years**

(21) **Appl. No.:** **29/200,660**

(22) **Filed:** **Mar. 2, 2004**

(51) **LOC (7) Cl.** **26-05**

(52) **U.S. Cl.** **D26/68; D26/67**

(58) **Field of Search** **D26/67-72, 87, D26/92, 118; 362/152, 153, 153.1, 159, 183, 266, 363, 431, 432**

(56) **References Cited**

U.S. PATENT DOCUMENTS

4,719,548	A	*	1/1988	Orosz	362/309
D329,100	S	*	9/1992	Hall et al.	D26/67
5,297,013	A	*	3/1994	Hall et al.	362/363
D445,209	S		7/2001	Chen		
D445,210	S		7/2001	Chen		
D445,524	S		7/2001	Chen		
D445,525	S		7/2001	Pan		
D445,939	S		7/2001	Pan		
D451,620	S		12/2001	Chen		
D452,029	S		12/2001	Chen		
D457,979	S		5/2002	Chen		
D466,243	S		11/2002	Chen		
D468,470	S		1/2003	Chen		
D468,471	S		1/2003	Chen		
D469,907	S		2/2003	Chen		
D469,908	S		2/2003	Chen		
D469,909	S		2/2003	Chen		

D477,107	S	*	7/2003	Kuelbs et al.	D26/128
D483,138	S		12/2003	Chen		
D484,630	S		12/2003	Chen		
D484,631	S		12/2003	Chen		
D485,000	S		1/2004	Chen		
D485,001	S		1/2004	Chen		
D485,930	S		1/2004	Chen		
D488,576	S		4/2004	Chen		
6,719,442	B1		4/2004	Chen		
6,776,508	B2	*	8/2004	Bucher et al.	362/293

OTHER PUBLICATIONS

Crystal Light #LX3/ML30403 from INTERMATIC's Standard Series Malibu Lighting. Found online at intermatic.com on Aug. 24, 2004.*

Contemporary Post Mount Lantern # 40540 from Bellacor.com. Found online on Aug. 24, 2004.*

* cited by examiner

Primary Examiner—Clare E Heflin

(74) *Attorney, Agent, or Firm*—Gardere Wynne Sewell LLP; Kenneth T. Emanuelson

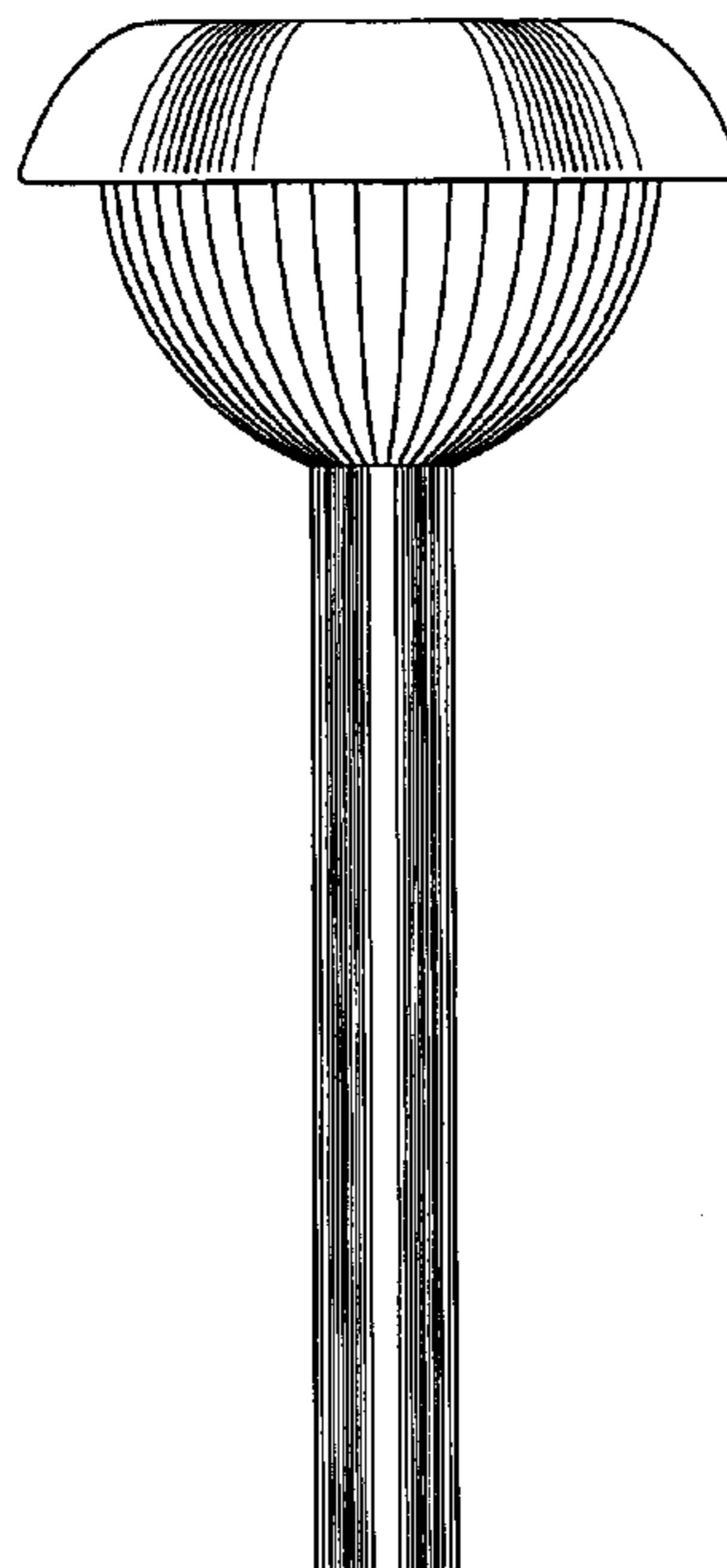
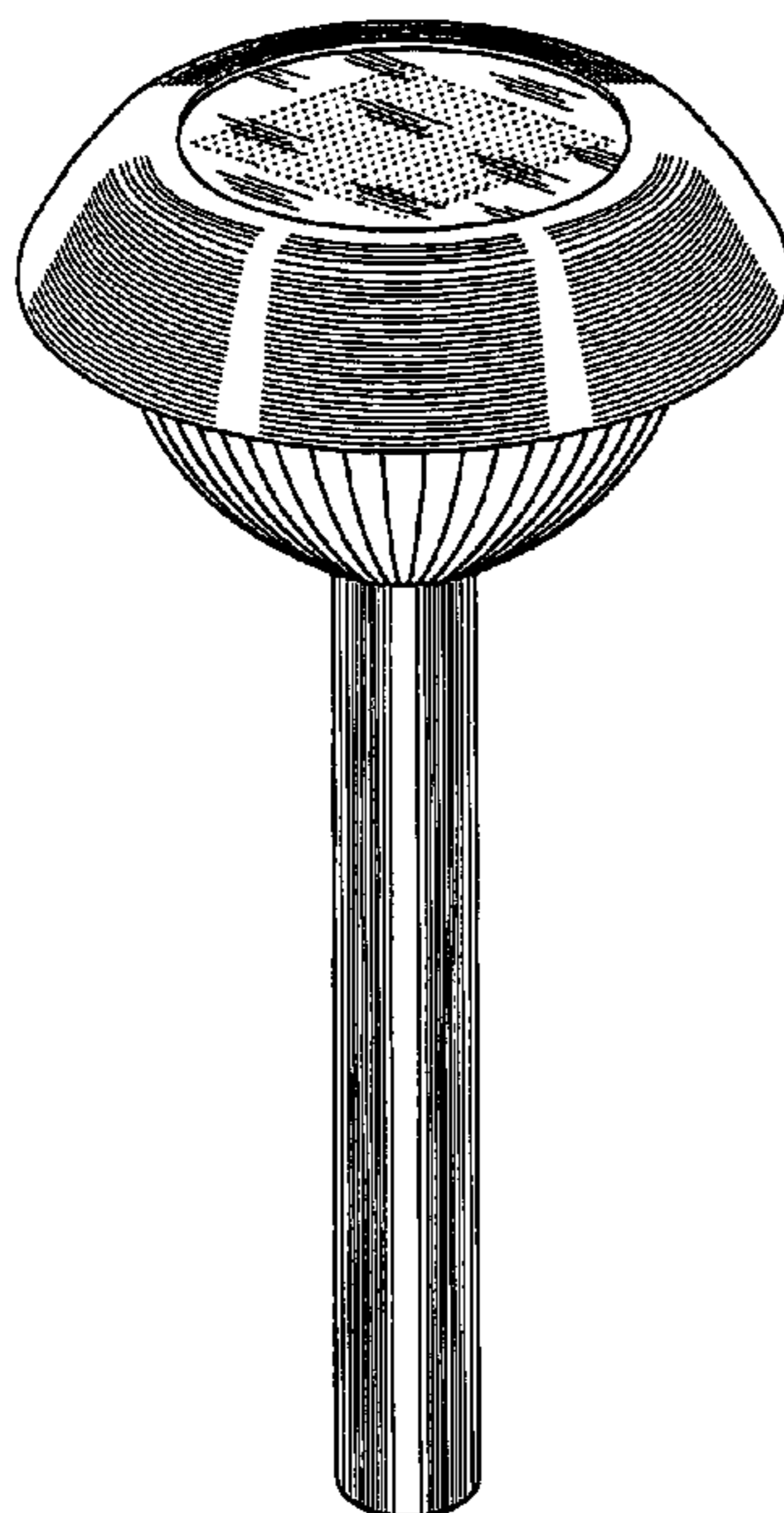
(57) **CLAIM**

The ornamental design for a solar light, as shown and described.

DESCRIPTION

FIG. 1 is a three-dimensional view of a solar light in accordance with my invention;
FIG. 2 is a front view of the solar light shown in FIG. 1;
FIG. 3 is a top view of the solar light shown in FIG. 1; and,
FIG. 4 is a bottom view of the solar light shown in FIG. 1.
The broken lines shown on the drawing are for illustrative purposes only and form no part of the claimed design.

1 Claim, 1 Drawing Sheet



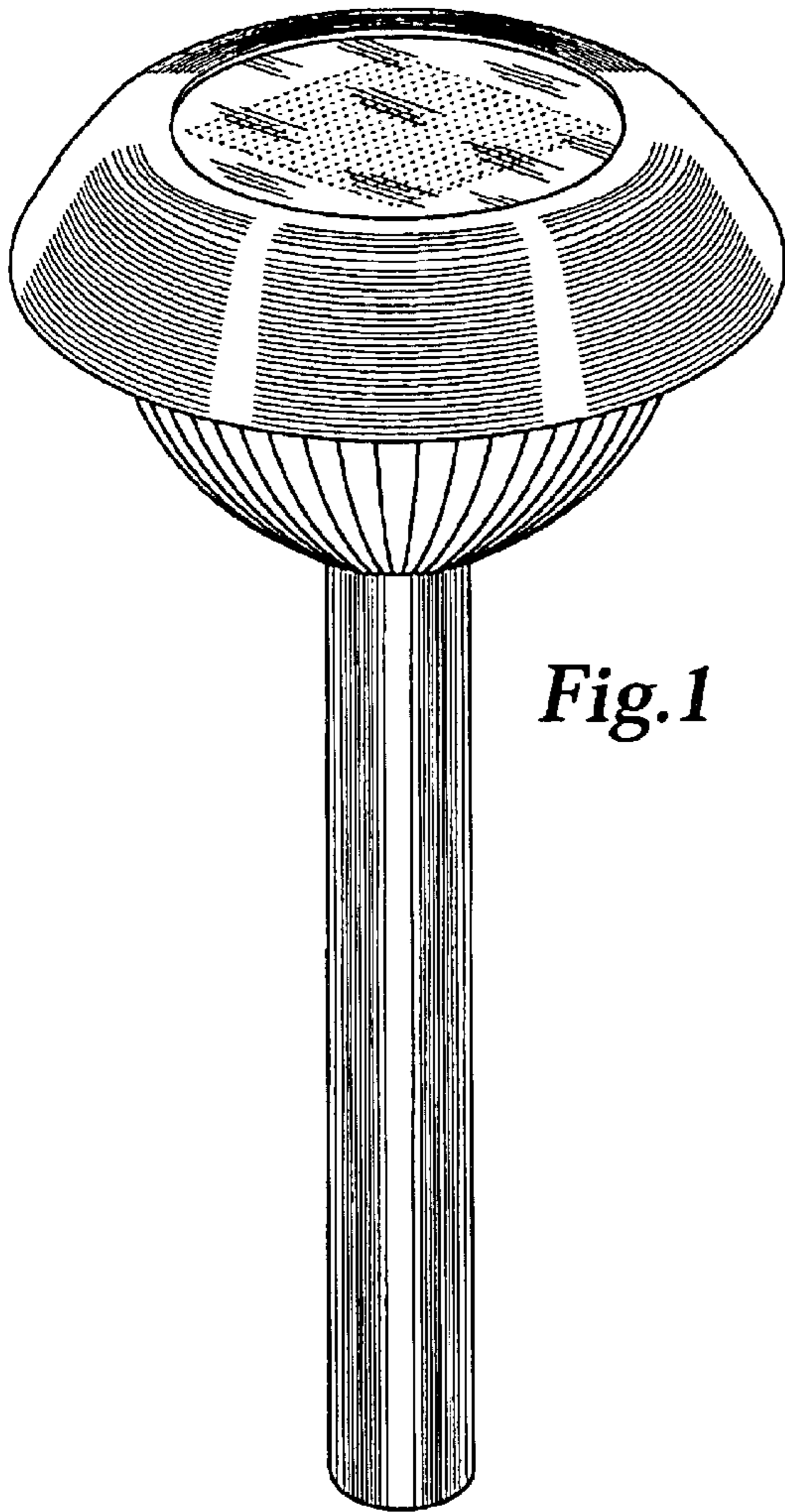


Fig. 1

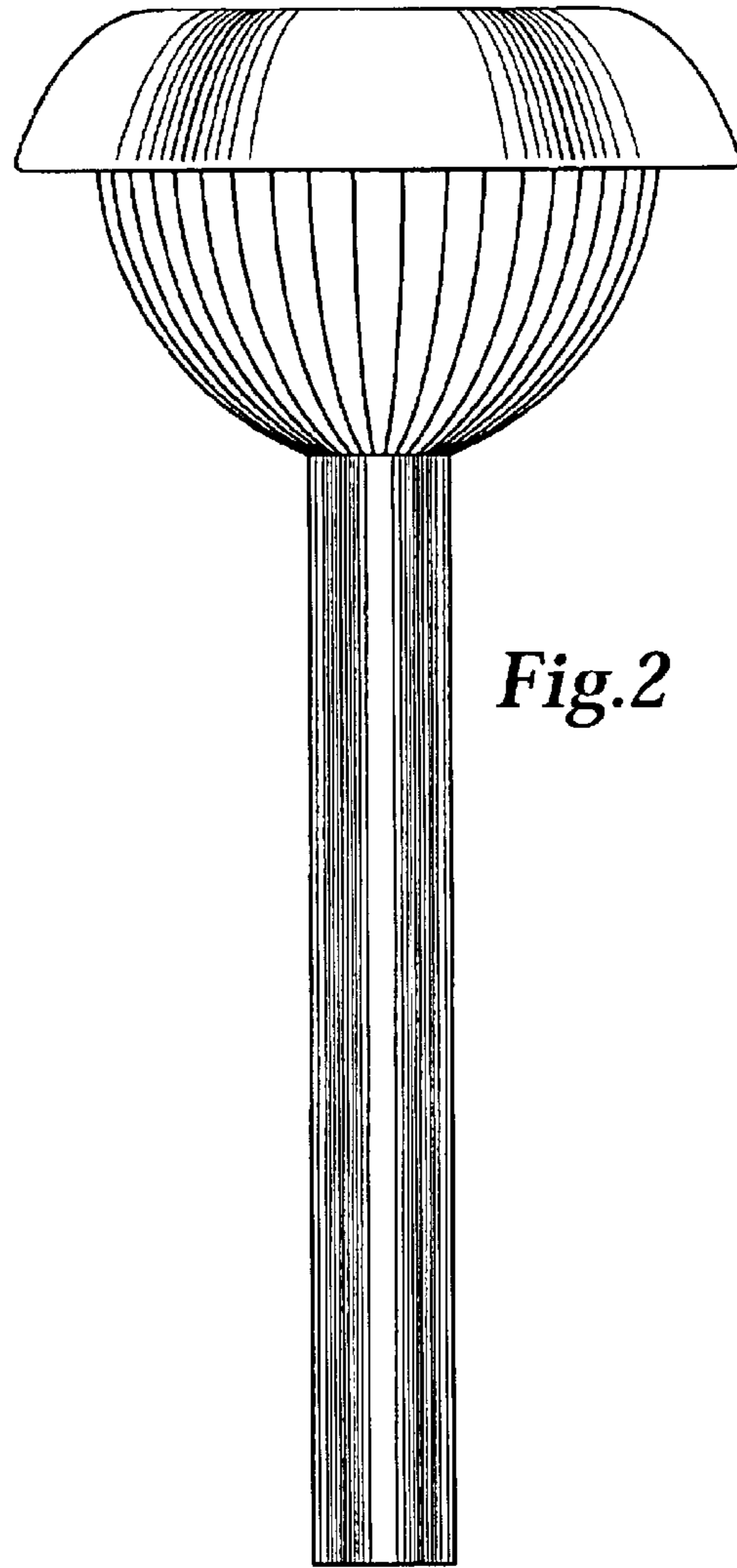


Fig. 2

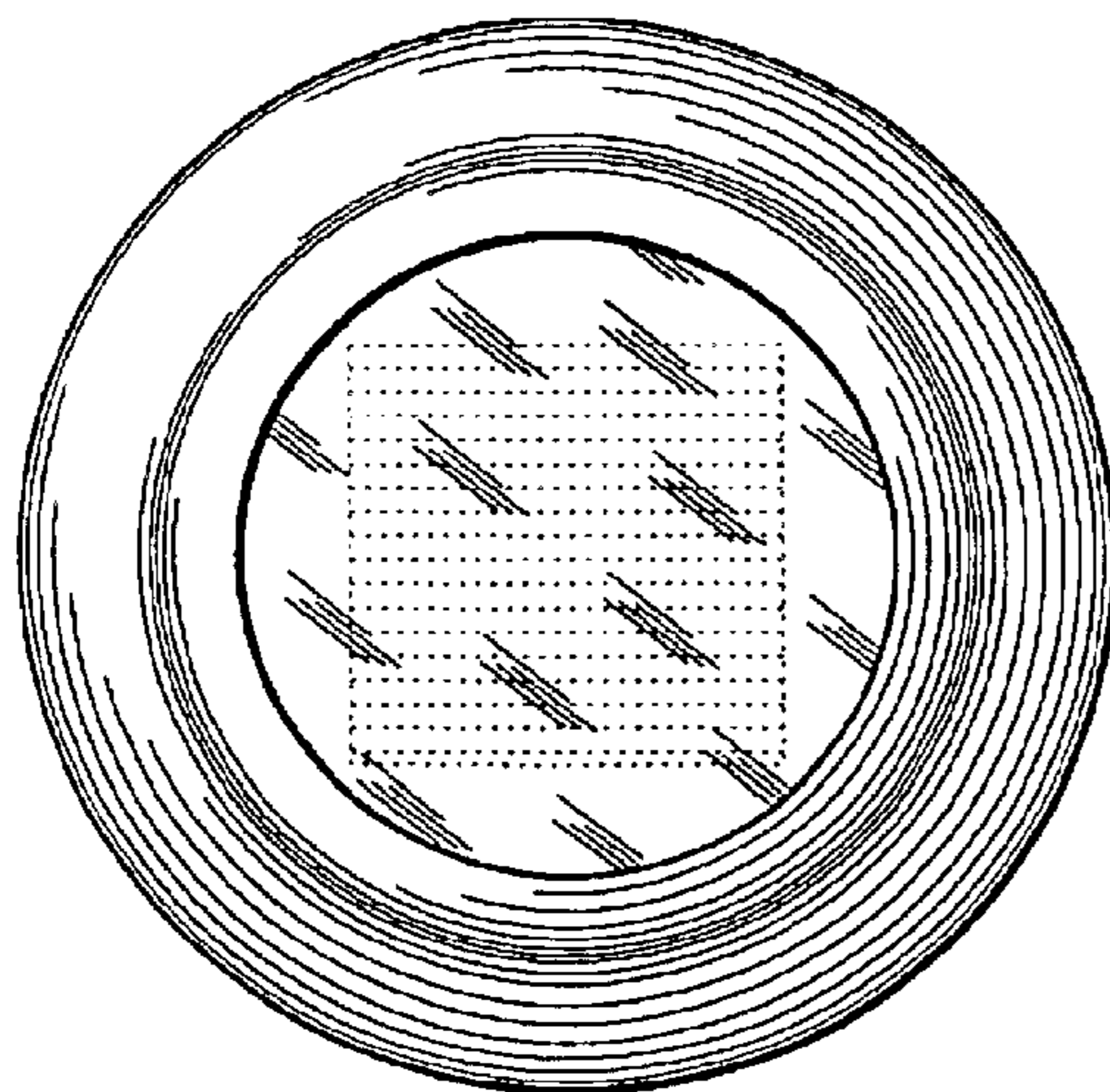


Fig. 3

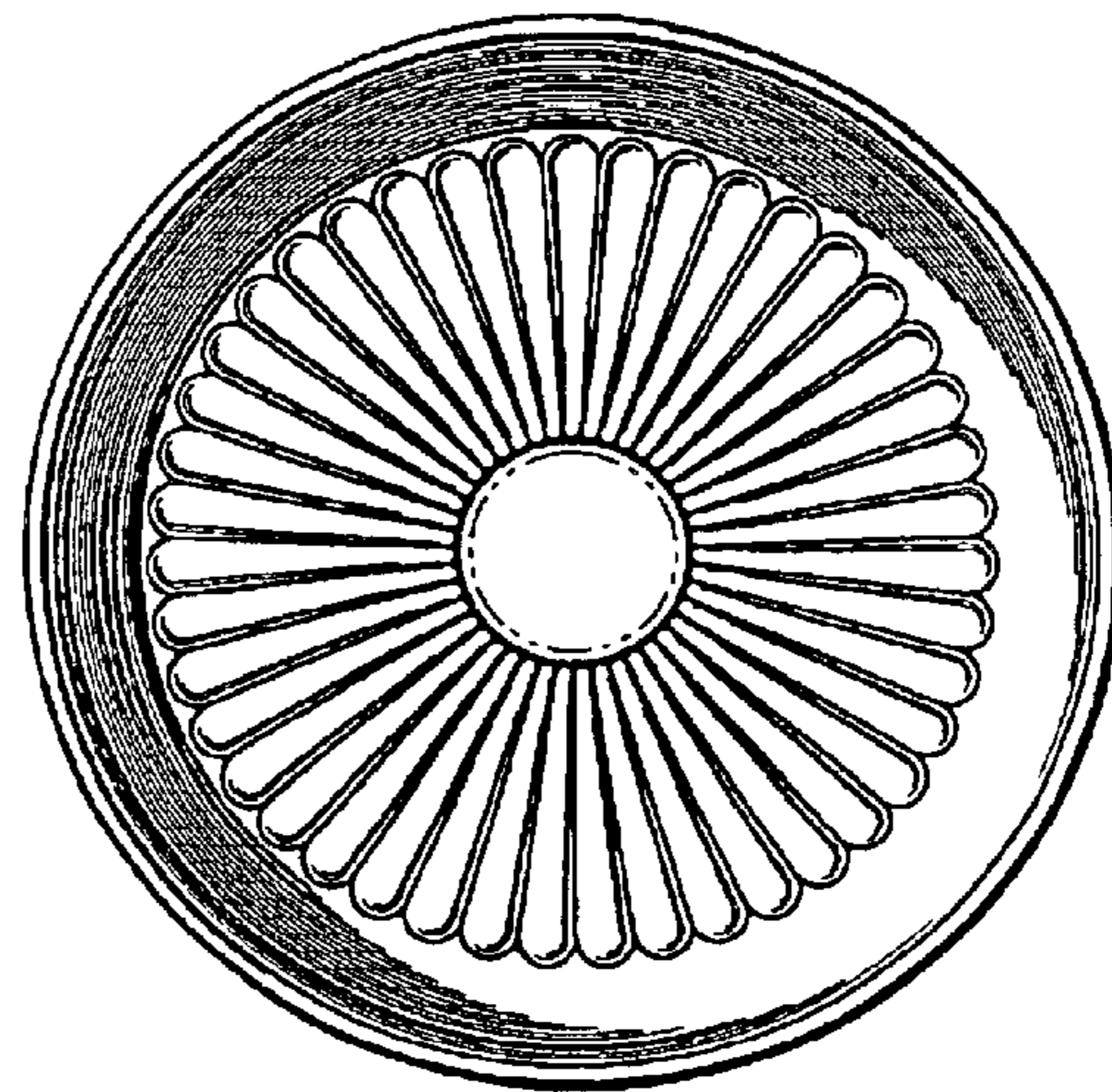


Fig. 4