

US00D499831S

(12) **United States Design Patent**
Chen

(10) **Patent No.:** **US D499,831 S**

(45) **Date of Patent:** **** Dec. 14, 2004**

(54) **SOLAR LIGHT**

(75) Inventor: **Chi Gon Chen**, Guang Zhou (CN)

(73) Assignee: **International Development Corporation**, Southlake, TX (US)

(**) Term: **14 Years**

(21) Appl. No.: **29/200,659**

(22) Filed: **Mar. 2, 2004**

(51) **LOC (7) Cl.** **26-05**

(52) **U.S. Cl.** **D26/68; D26/67**

(58) **Field of Search** **D26/67-72, 87, D26/92, 118; 362/152, 153, 153.1, 159, 183, 266, 363, 431, 432**

(56) **References Cited**

U.S. PATENT DOCUMENTS

666,683	A	*	1/1901	Hygatt	362/331
4,719,548	A	*	1/1988	Orosz	362/309
D300,671	S	*	4/1989	Ewing et al.	D26/67
D326,728	S	*	6/1992	Layne	D26/67
D346,873	S	*	5/1994	Frost	D26/67
D445,209	S		7/2001	Chen		
D445,210	S		7/2001	Chen		
D445,524	S		7/2001	Chen		
D445,525	S		7/2001	Pan		
D445,939	S		7/2001	Pan		
D451,620	S		12/2001	Chen		
D452,029	S		12/2001	Chen		
D457,979	S		5/2002	Chen		
D466,243	S		11/2002	Chen		
D468,470	S		1/2003	Chen		
D468,471	S		1/2003	Chen		
D469,907	S		2/2003	Chen		
D469,908	S		2/2003	Chen		
D469,909	S		2/2003	Chen		
D483,138	S		12/2003	Chen		
D484,630	S		12/2003	Chen		

D484,631	S	12/2003	Chen	
D485,000	S	1/2004	Chen	
D485,001	S	1/2004	Chen	
D485,930	S	1/2004	Chen	
D488,576	S	4/2004	Chen	
6,719,442	B1	4/2004	Chen	
2003/0081406	A1	* 5/2003	Lin 362/183

FOREIGN PATENT DOCUMENTS

CA	99516	6/2003
CA	99517	6/2003
CA	99518	6/2003
CA	99519	6/2003
CA	100603	2/2004

OTHER PUBLICATIONS

“Petal Solar Amber Landscape Lights”, Model # 50402140 from Overstock.com. Found online on Aug. 24, 2004.*
Stainless Steel Solar Light, Item # 18583 from Frontgate. Found online at frontgate.com on Aug. 24, 2004.*

* cited by examiner

Primary Examiner—Clare E Heflin

(74) *Attorney, Agent, or Firm*—Gardere Wynne Sewell LLP; Kenneth T. Emanuelson

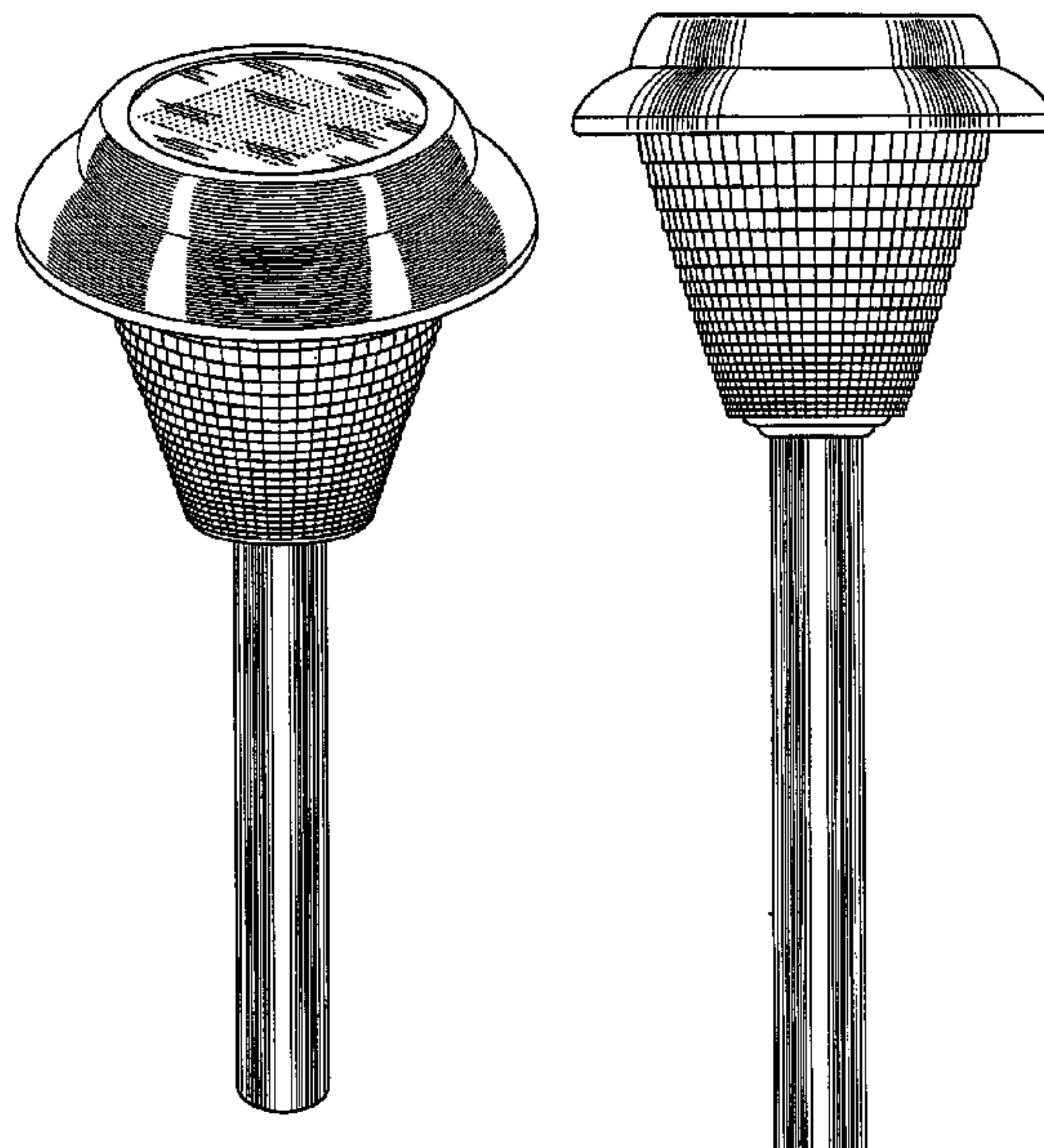
(57) **CLAIM**

The ornamental design for a solar light, as shown and described.

DESCRIPTION

FIG. 1 is a three-dimensional view of a solar light in accordance with my invention;
FIG. 2 is a front view of the solar light shown in FIG. 1;
FIG. 3 is a top view of the solar light shown in FIG. 1; and,
FIG. 4 is a bottom view of the solar light shown in FIG. 1.
The broken lines shown on the drawings are for illustrative purposes only and form no part of the claimed design.

1 Claim, 1 Drawing Sheet



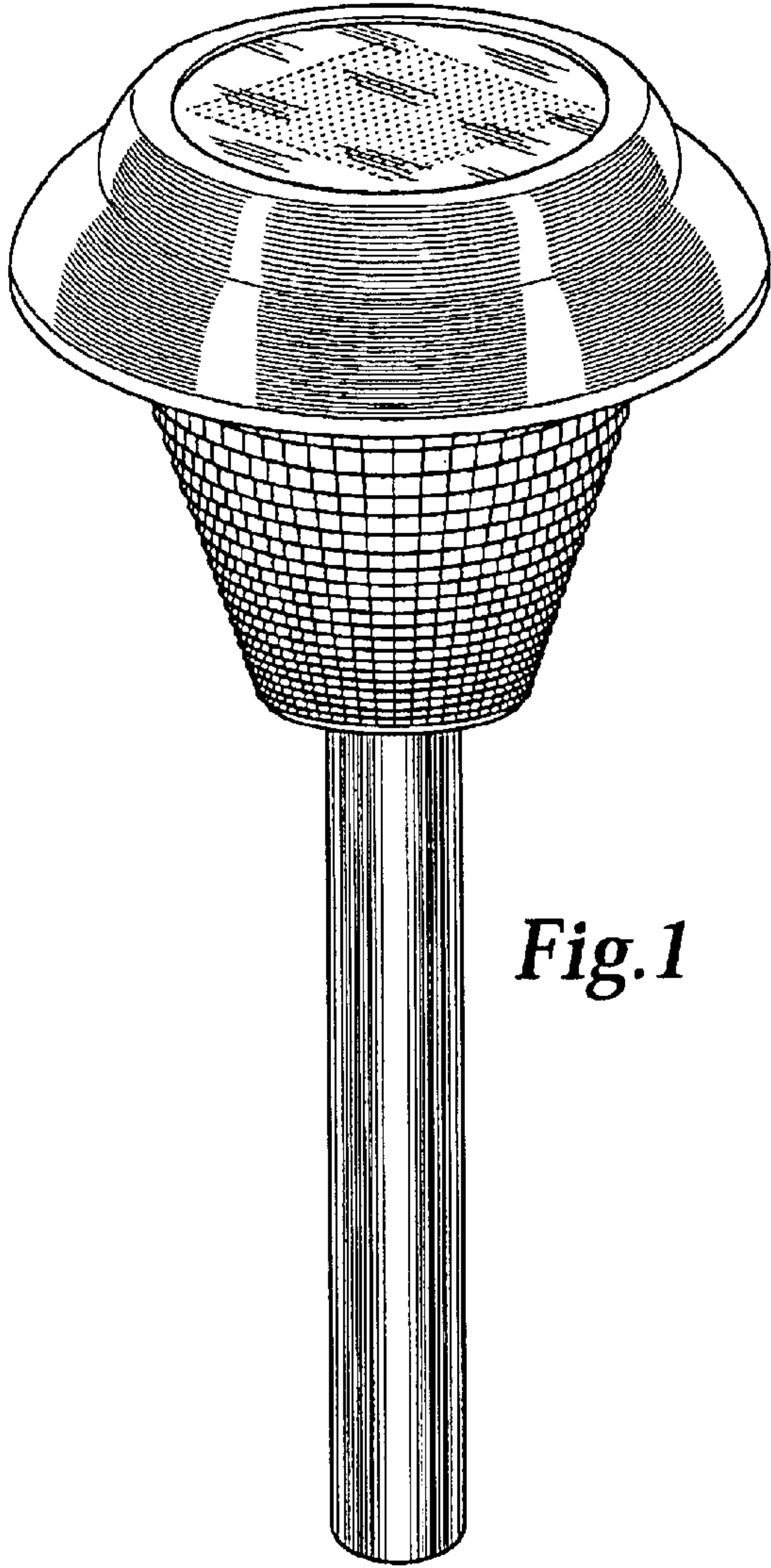


Fig. 1

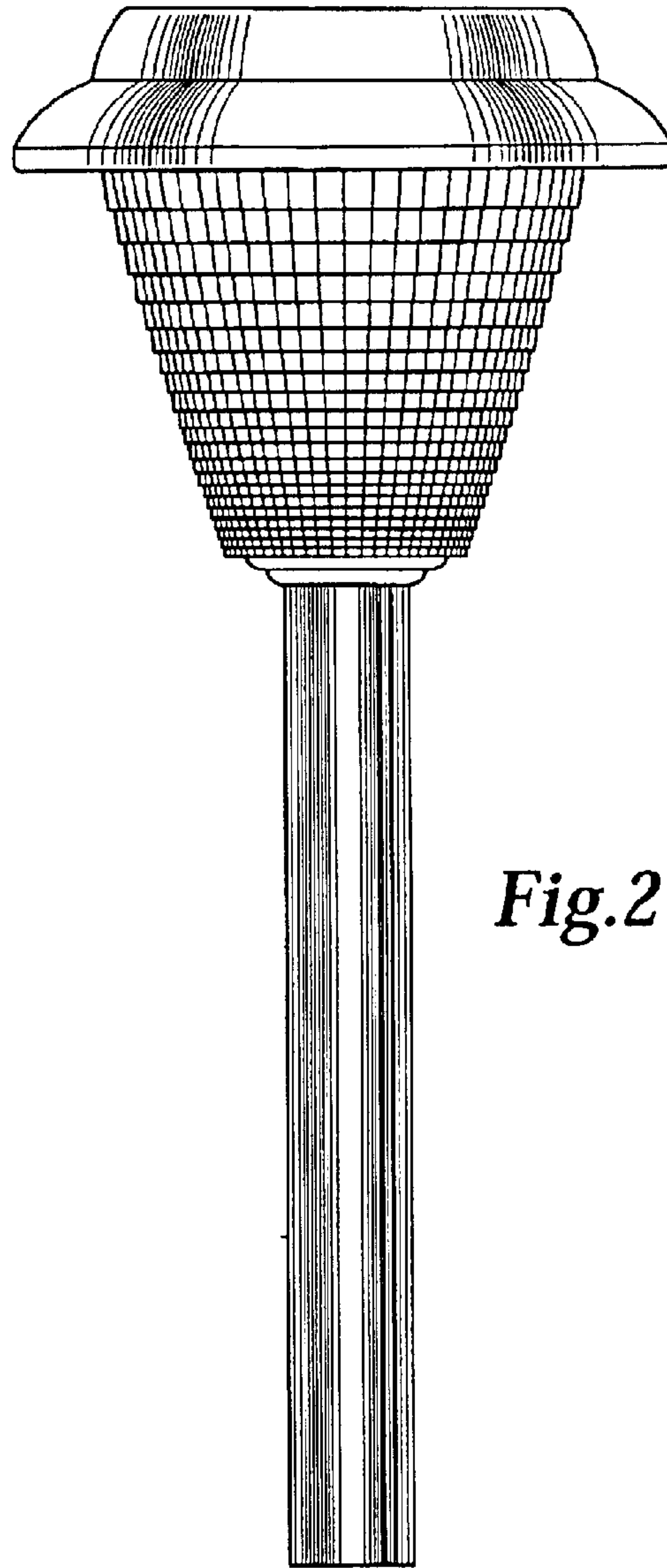


Fig. 2

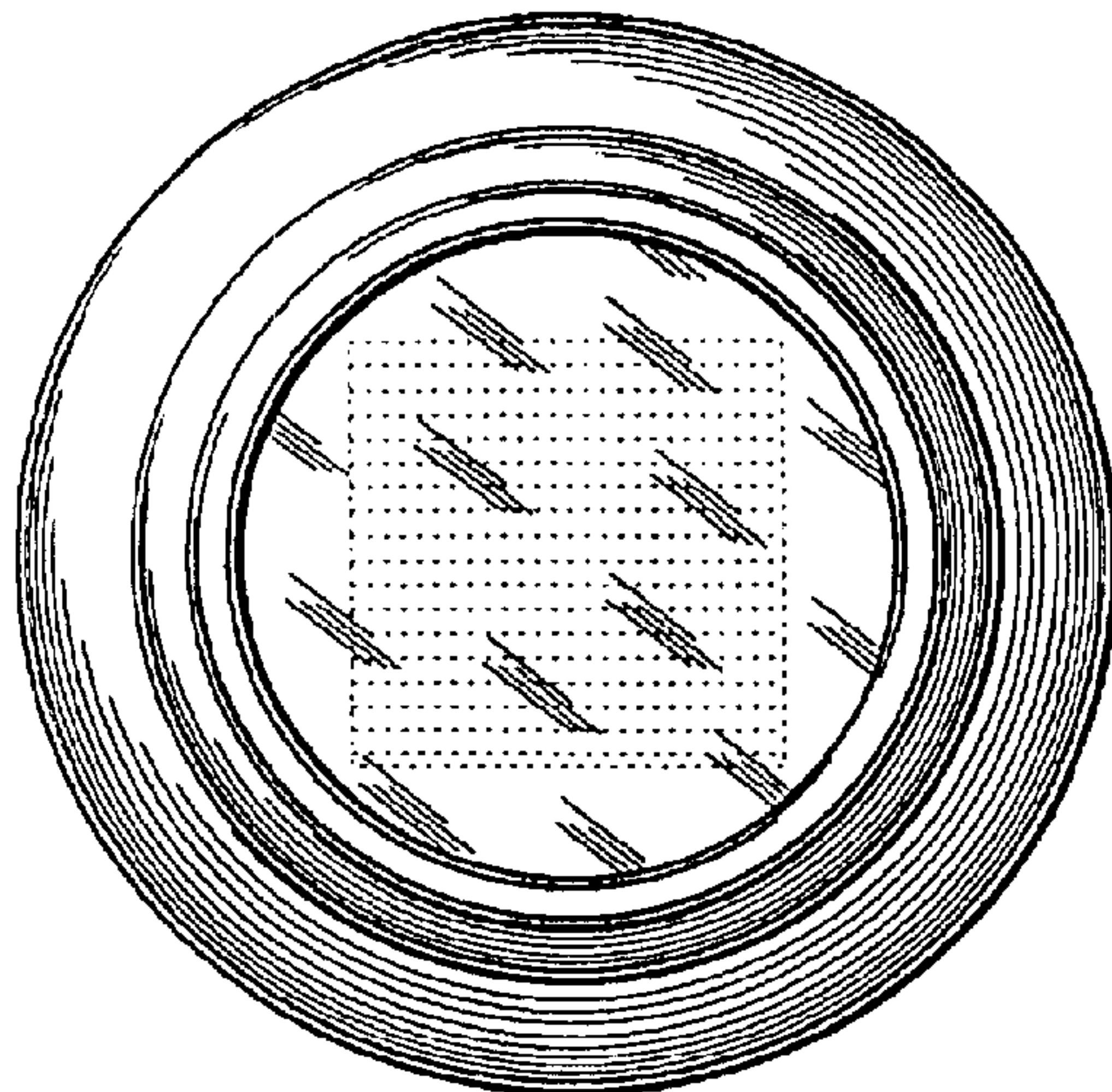


Fig. 3

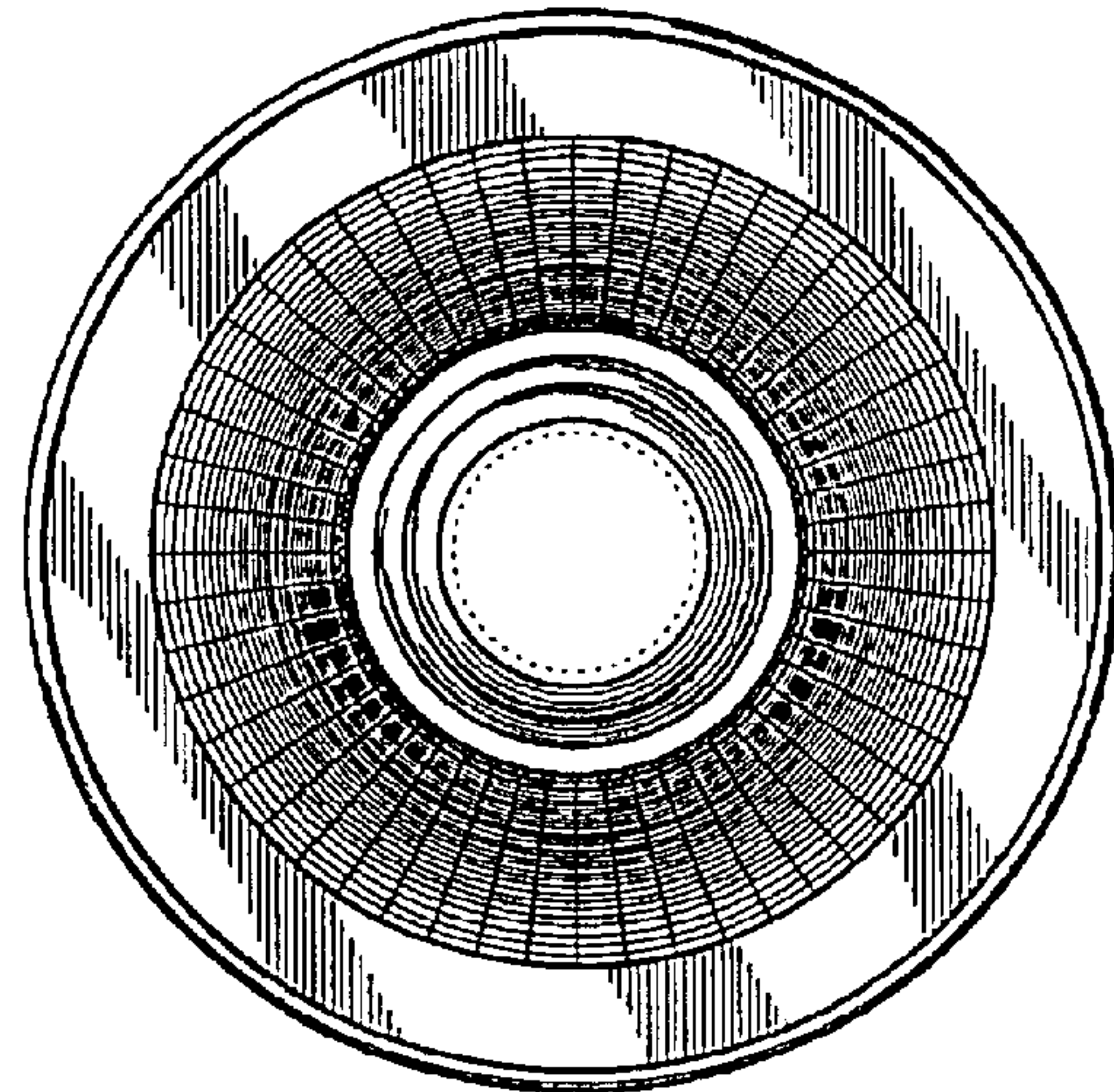


Fig. 4