

US00D499830S

(12) **United States Design Patent**  
**Chen**

(10) **Patent No.:** **US D499,830 S**

(45) **Date of Patent:** **\*\* Dec. 14, 2004**

(54) **SUNGLOW TEARDROP SOLAR LIGHT**

(75) **Inventor:** **Chi Gon Chen**, Guang Shou (CN)

(73) **Assignee:** **International Development Corporation**, Southlake, TX (US)

(\*\*) **Term:** **14 Years**

(21) **Appl. No.:** **29/197,494**

(22) **Filed:** **Jan. 15, 2004**

(51) **LOC (7) Cl.** ..... **26-05**

(52) **U.S. Cl.** ..... **D26/67; D26/72**

(58) **Field of Search** ..... **D26/67-72, 87, D26/92, 118; 362/152, 153, 153.1, 159, 183, 266, 363, 431, 432**

(56) **References Cited**

**U.S. PATENT DOCUMENTS**

D358,226 S	*	5/1995	Osteen et al. ....	D26/71
D445,209 S		7/2001	Chen	
D445,210 S		7/2001	Chen	
D445,524 S		7/2001	Chen	
D445,525 S		7/2001	Pan	
D445,939 S		7/2001	Pan	
D451,620 S		12/2001	Chen	
D452,029 S		12/2001	Chen	
D457,979 S		5/2002	Chen	
D461,921 S	*	8/2002	Ellis .....	D25/67
D466,243 S		11/2002	Chen	
D466,639 S	*	12/2002	Kuelbs .....	D26/67
D468,470 S		1/2003	Chen	
D468,471 S		1/2003	Chen	
D469,907 S		2/2003	Chen	
D469,908 S		2/2003	Chen	
D469,909 S		2/2003	Chen	
D482,814 S	*	11/2003	Pu .....	D26/67

D483,138 S	12/2003	Chen
D484,630 S	12/2003	Chen
D484,631 S	12/2003	Chen
D485,000 S	1/2004	Chen
D485,001 S	1/2004	Chen
D485,930 S	1/2004	Chen
D488,576 S	4/2004	Chen
6,719,442 B1	4/2004	Chen

**FOREIGN PATENT DOCUMENTS**

CA	99516	6/2003
CA	99517	6/2003
CA	99518	6/2003
CA	99519	6/2003
CA	100603	2/2004

\* cited by examiner

*Primary Examiner*—Clare E Hefflin

(74) *Attorney, Agent, or Firm*—Gardere Wynne Seqwell LLP; Kenneth T. Emanuelson

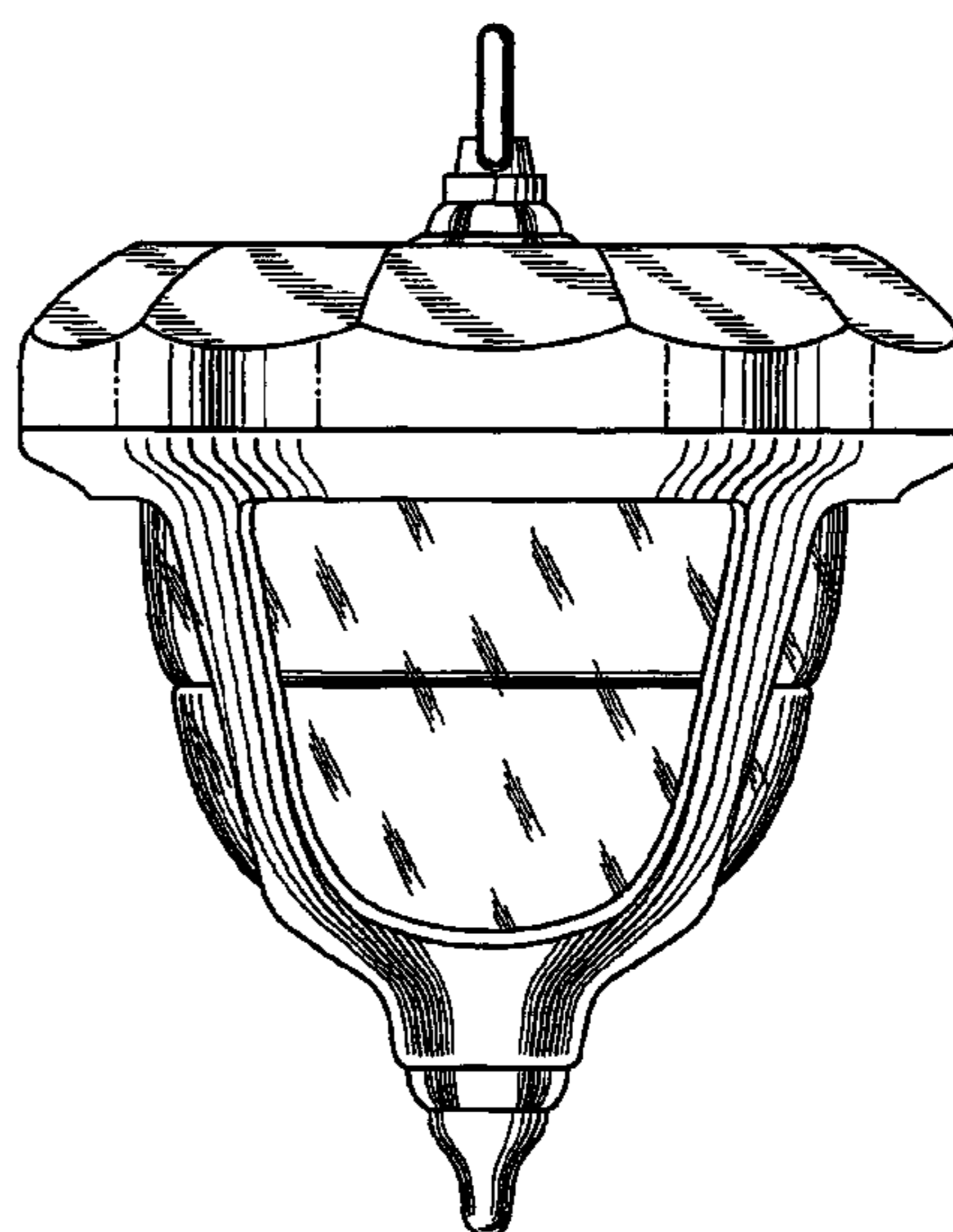
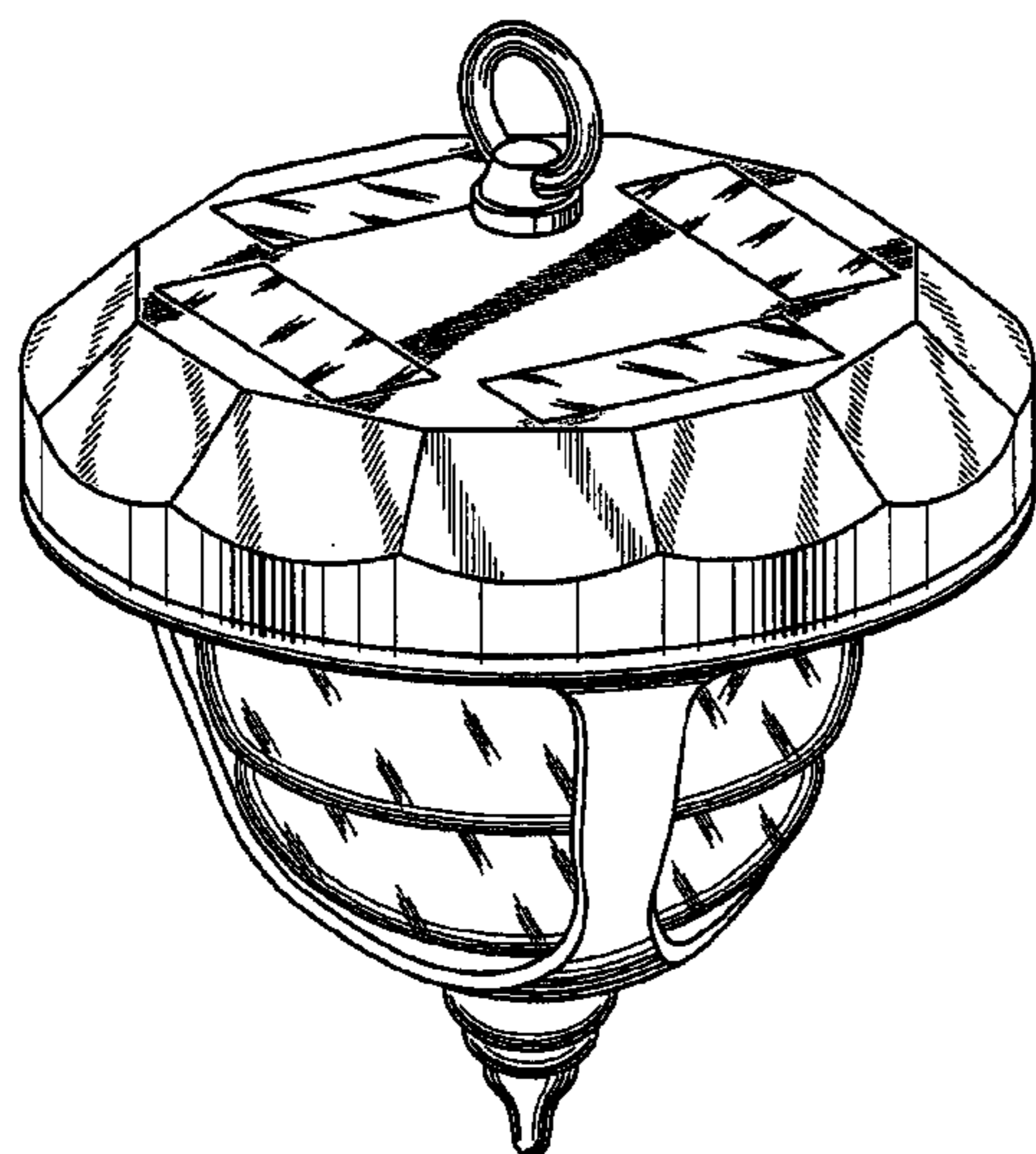
(57) **CLAIM**

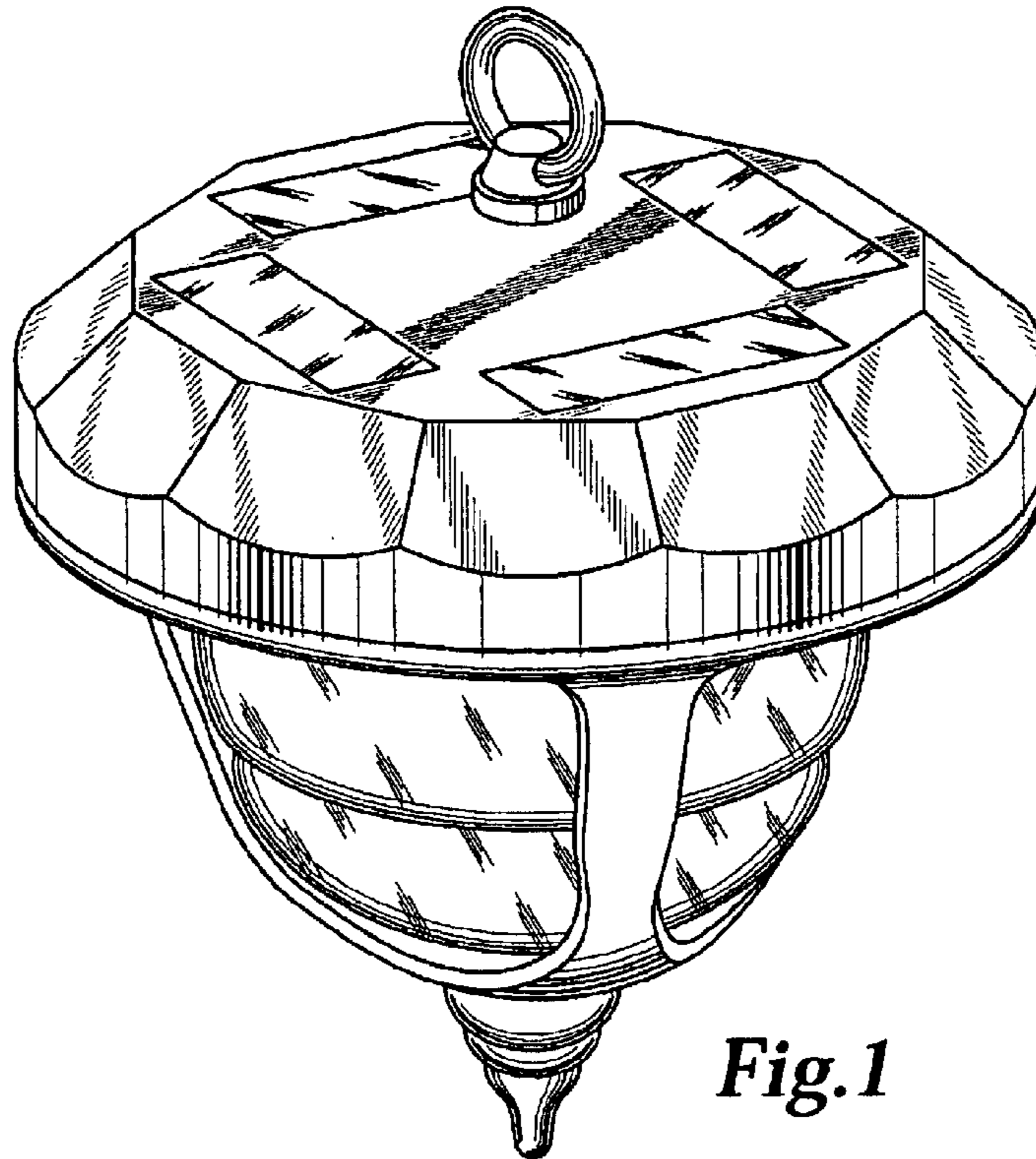
The ornamental design for the sunglow teardrop solar light, as shown and described.

**DESCRIPTION**

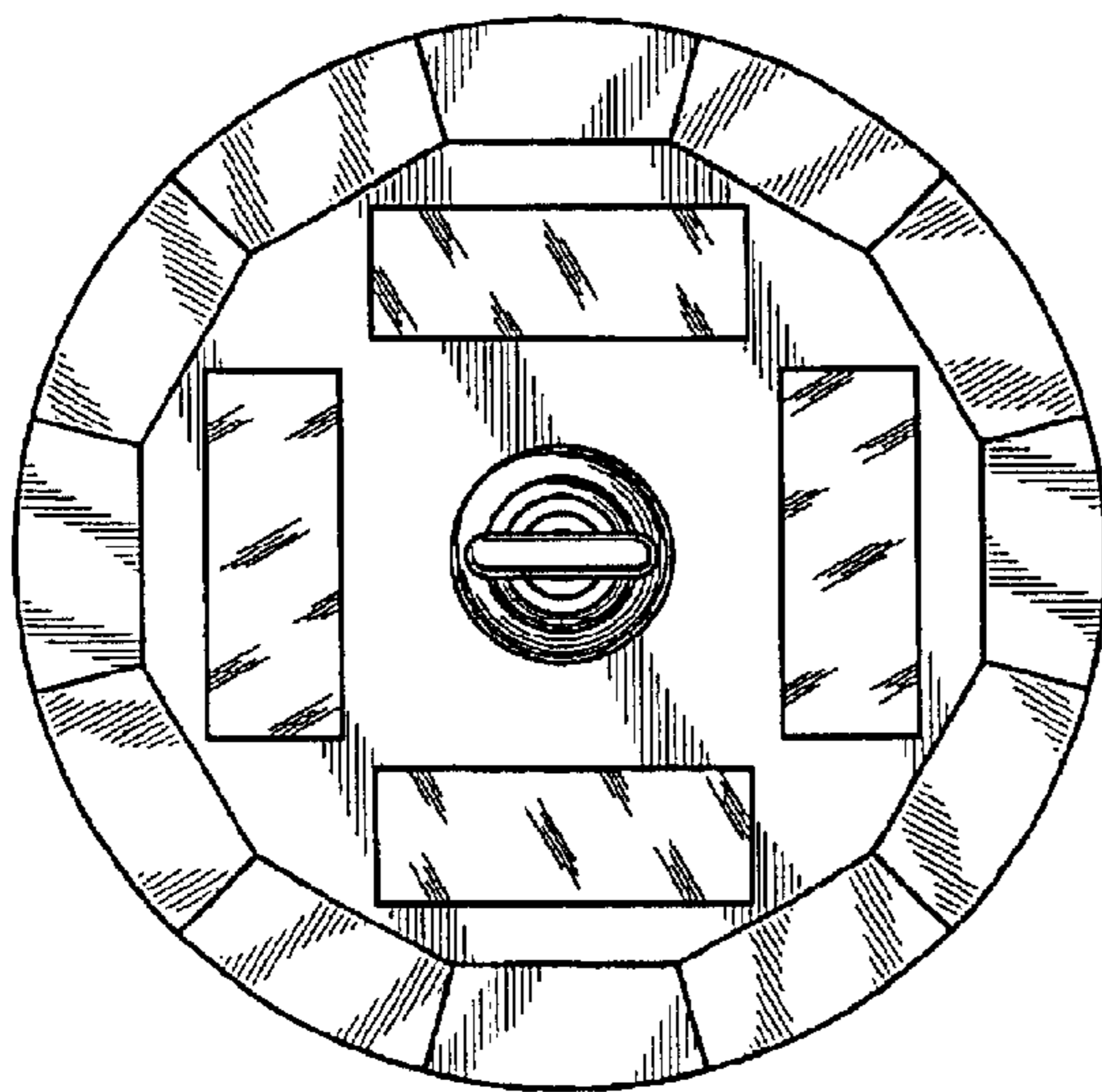
FIG. 1 is a perspective view of a sunglow teardrop solar light in accordance with my invention; FIG. 2 is a top view of the sunglow teardrop solar light shown in FIG. 1; FIG. 3 is a bottom view of the sunglow teardrop solar light shown in FIG. 1; FIG. 4 is a right side elevation of the sunglow teardrop solar light shown in FIG. 1; and, FIG. 5 is a corner elevation of the sunglow teardrop solar light shown in FIG. 1.

**1 Claim, 2 Drawing Sheets**

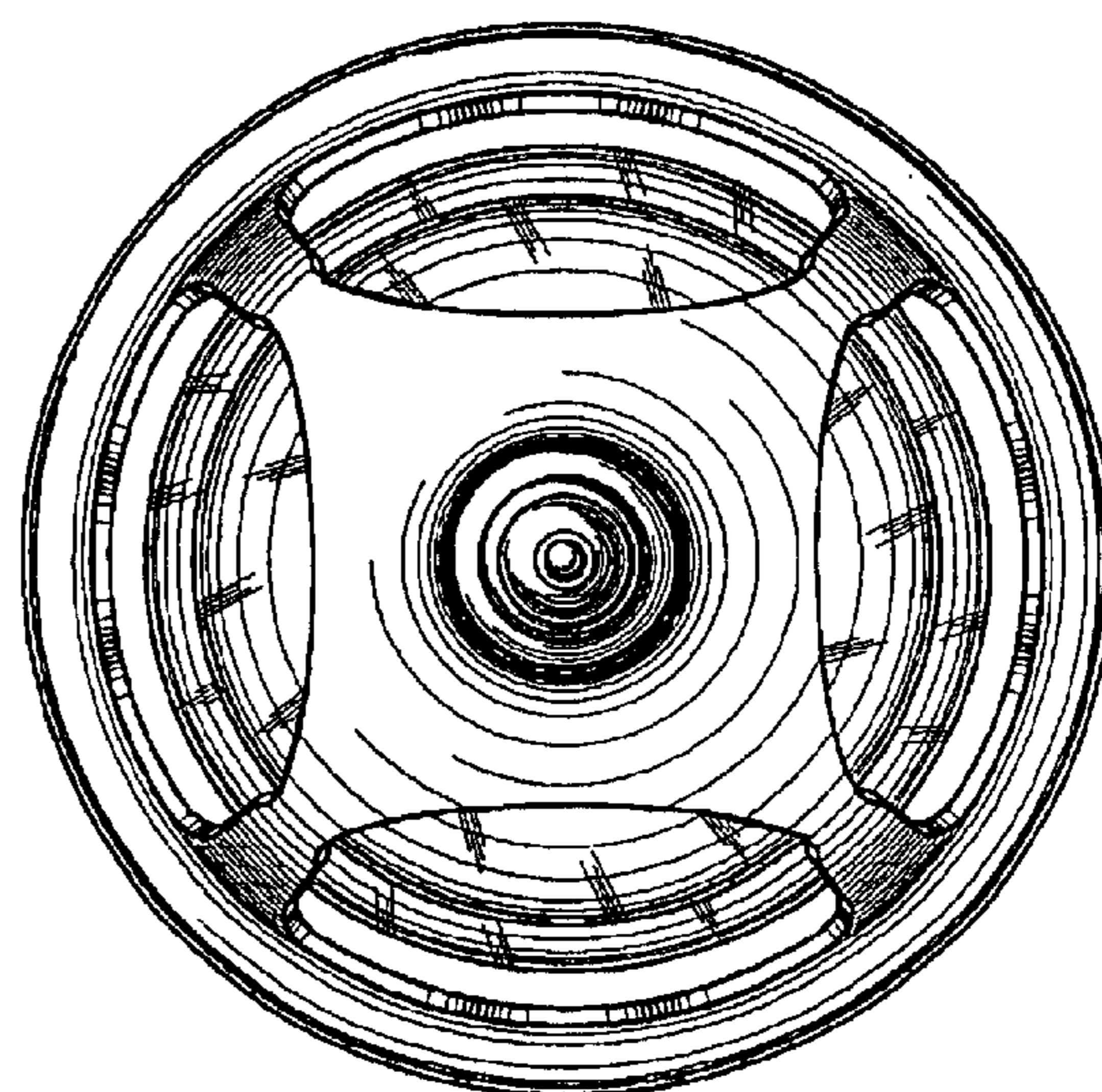




*Fig. 1*



*Fig. 2*



*Fig. 3*



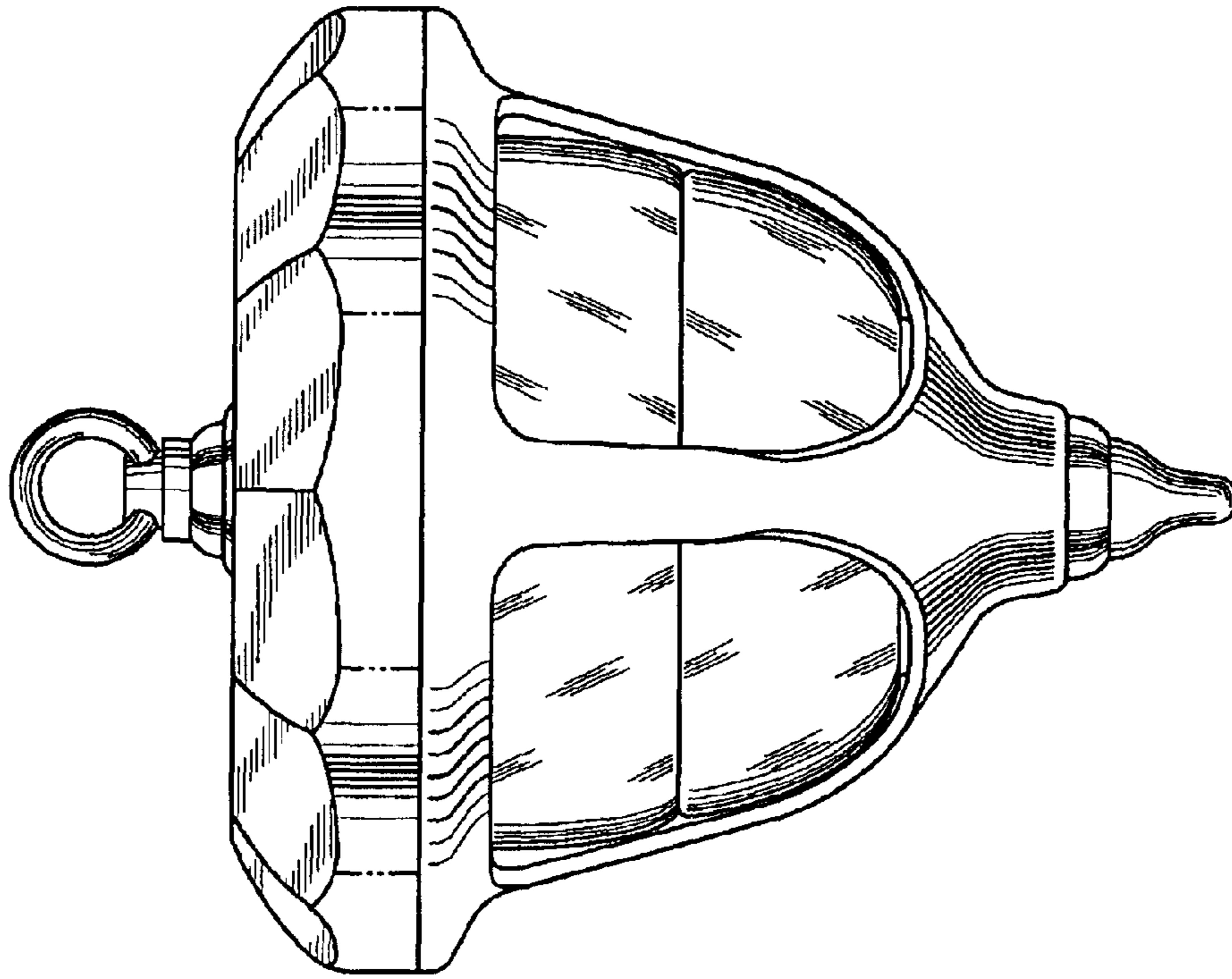


Fig. 5

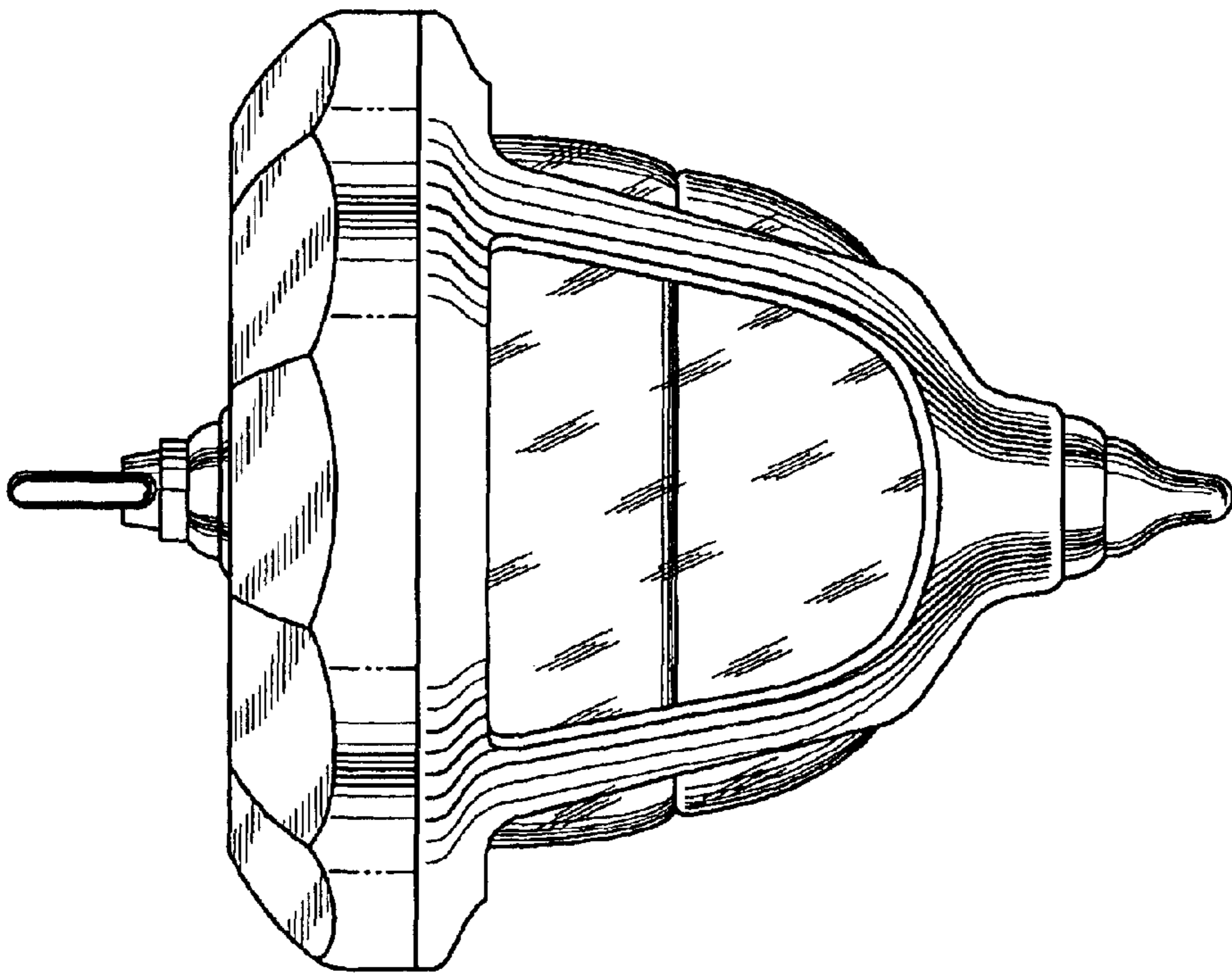


Fig. 4