



US00D499829S

(12) **United States Design Patent**  
**Curtin**

(10) **Patent No.:** **US D499,829 S**

(45) **Date of Patent:** **\*\* Dec. 14, 2004**

(54) **LANTERN**

(75) **Inventor:** **Brett Curtin**, Phoenix, AZ (US)

(73) **Assignee:** **Craftmade International, Inc.**,  
Coppell, TX (US)

(\*\*) **Term:** **14 Years**

(21) **Appl. No.:** **29/197,413**

(22) **Filed:** **Jan. 14, 2004**

(51) **LOC (7) Cl.** ..... **26-05**

(52) **U.S. Cl.** ..... **D26/67**

(58) **Field of Search** ..... D26/67-70, 72-92;  
362/147, 363-367, 404-408, 431, 159

(56) **References Cited**

**U.S. PATENT DOCUMENTS**

D313,868 S	1/1991	Shyu
D445,209 S	7/2001	Chen
D458,704 S	6/2002	Orozco
D464,459 S	10/2002	De'Armond et al.
D465,053 S	10/2002	Miranda

D465,604 S	11/2002	De'Armond	
D469,558 S	*	1/2003	DiPasquale ..... D26/67
D473,673 S		4/2003	Crelin
D485,386 S	*	1/2004	Cheong et al. .... D26/67

\* cited by examiner

*Primary Examiner*—Marcus A. Jackson

(74) *Attorney, Agent, or Firm*—Haynes and Boone, LLP

(57) **CLAIM**

The ornamental design for the lantern, as shown and described.

**DESCRIPTION**

FIG. 1 is a perspective view of the lantern showing my new design;

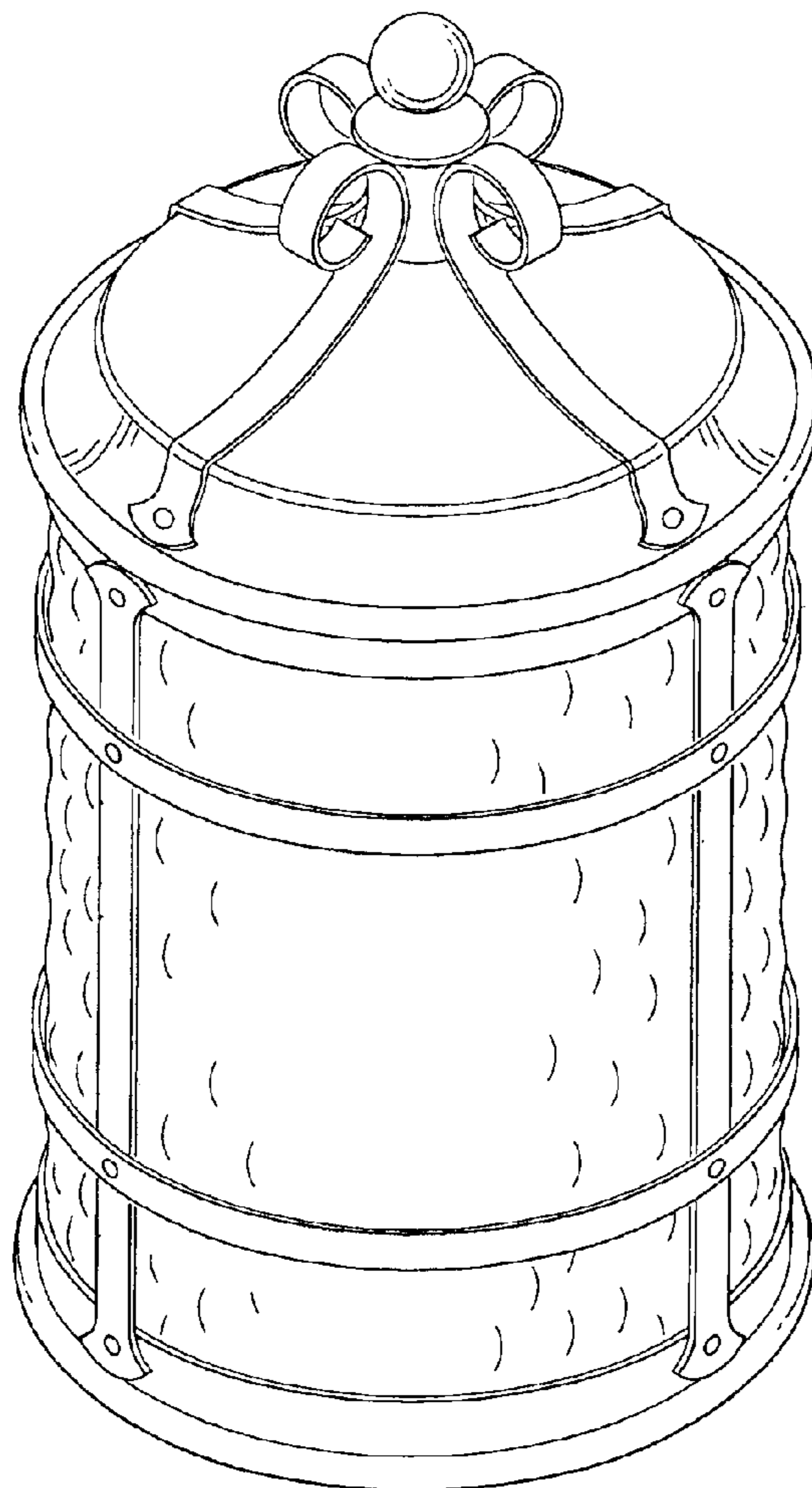
FIG. 2 is a front view thereof, the right side view, the left side view, and the rear view being the same;

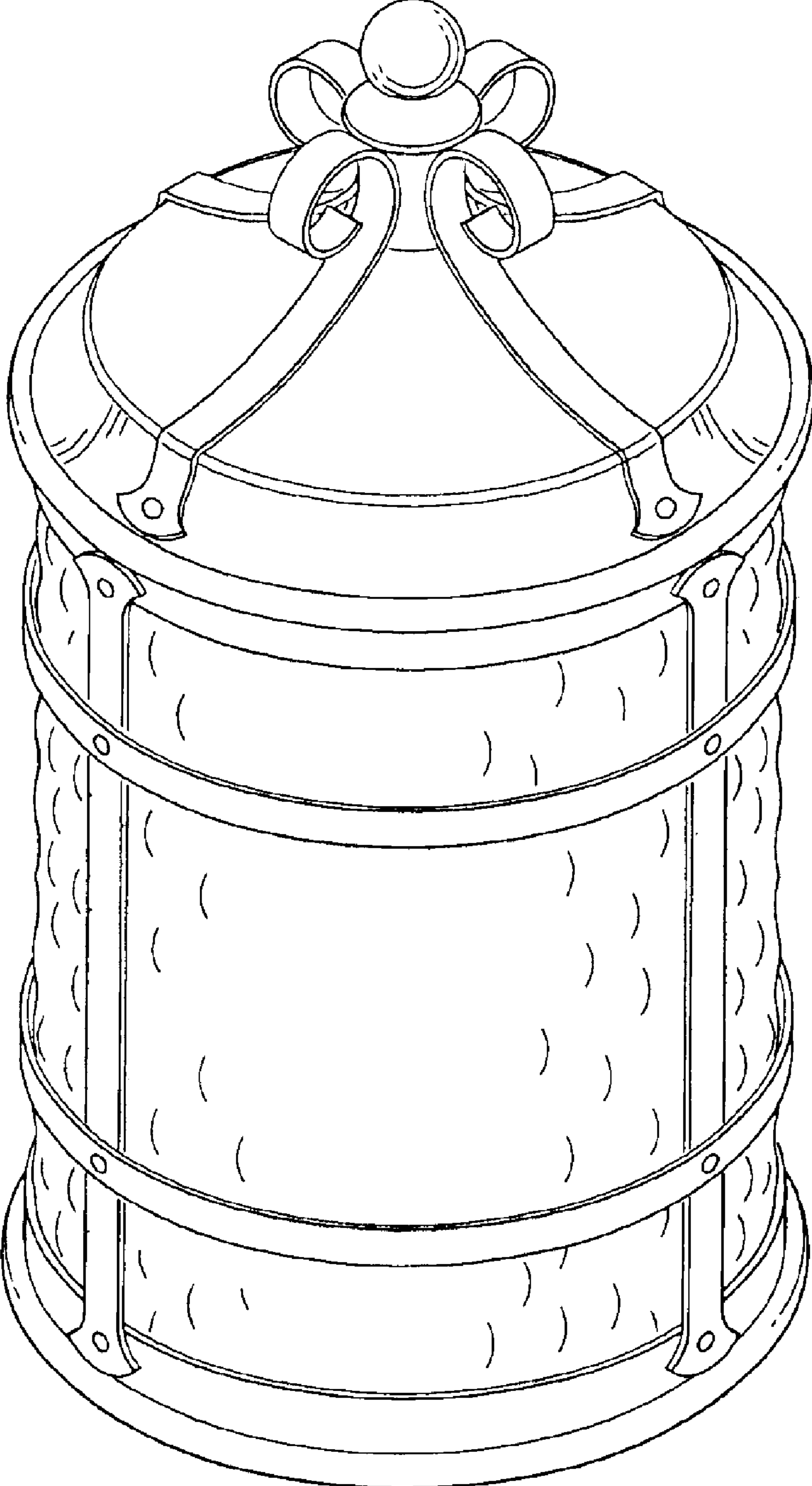
FIG. 3 is a top view thereof; and,

FIG. 4 is a bottom view thereof.

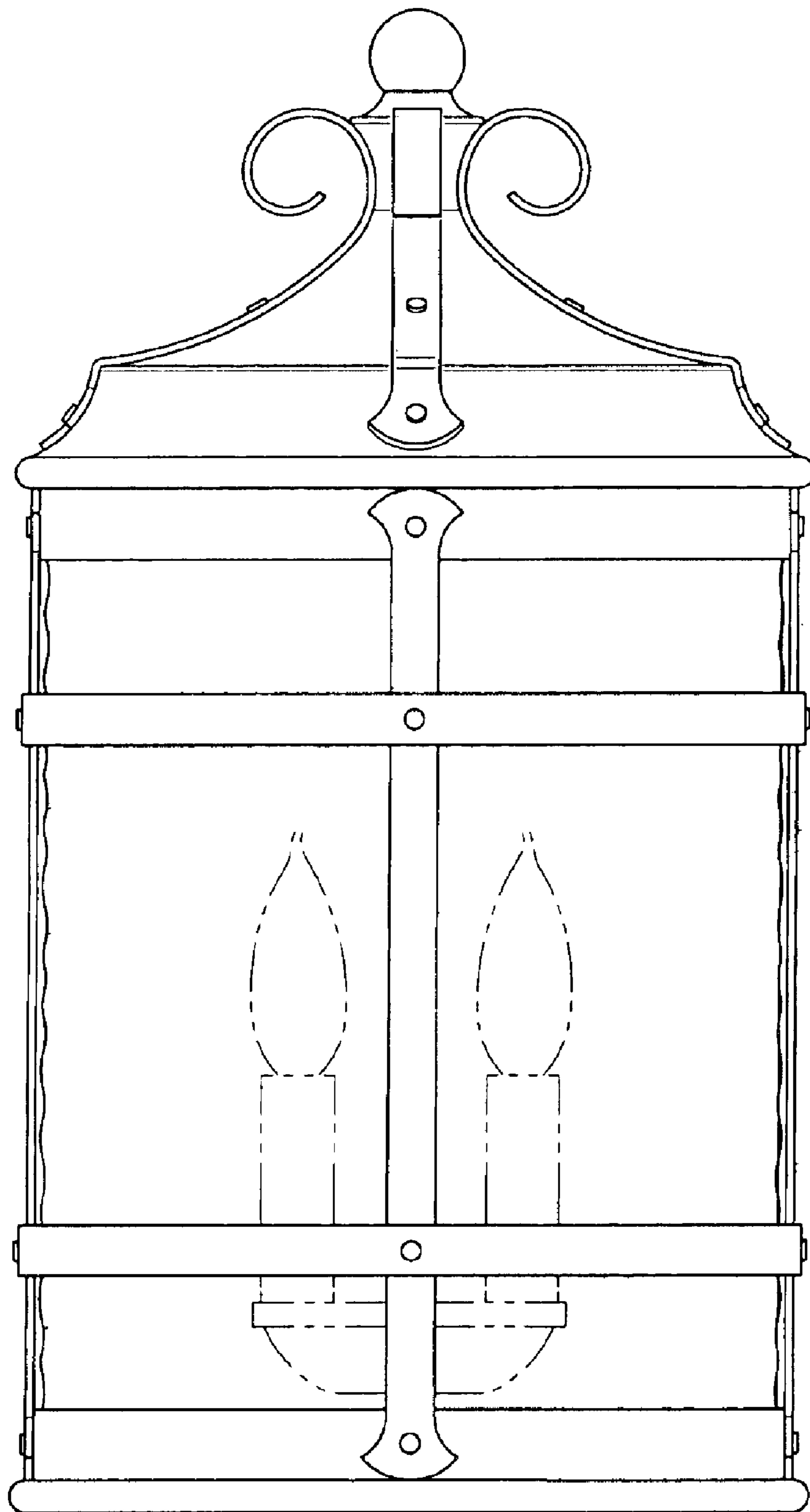
Any broken line illustration of environmental structure in the drawings is not part of the design sought to be patented.

**1 Claim, 3 Drawing Sheets**

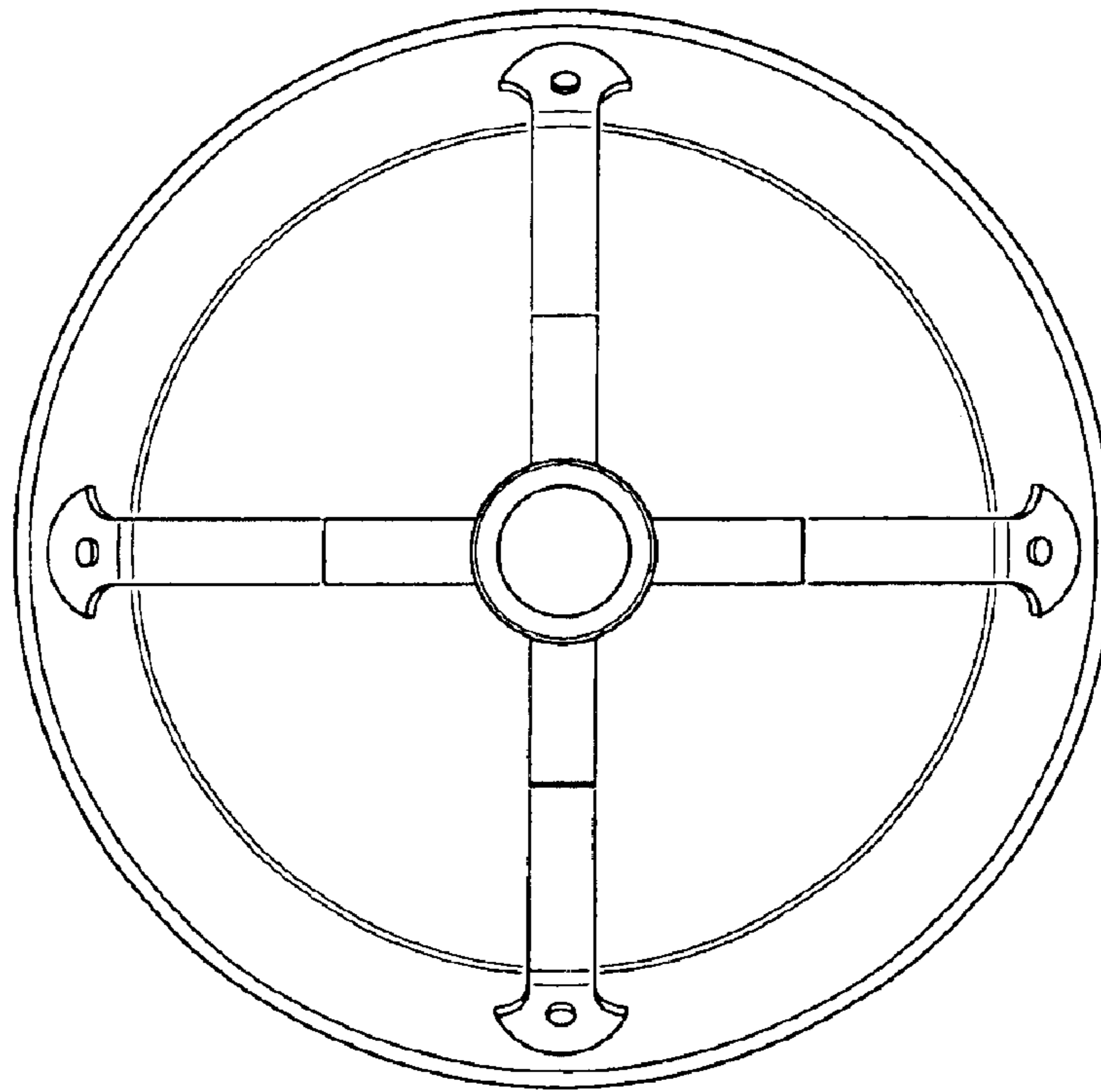




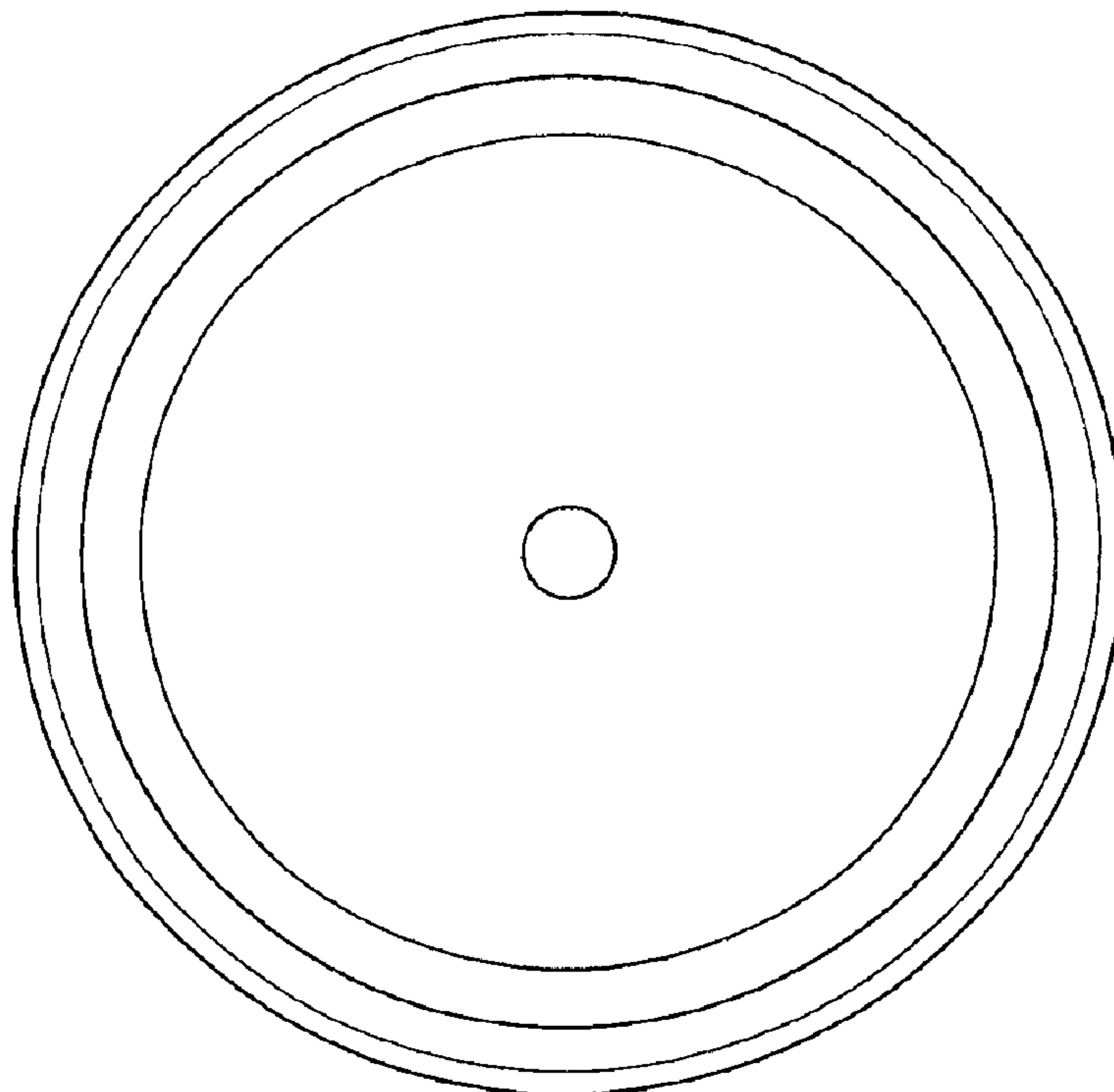
*Fig. 1*



*Fig. 2*



*Fig. 3*



*Fig. 4*