



US00D499827S

(12) **United States Design Patent** (10) **Patent No.:** **US D499,827 S**
Li (45) **Date of Patent:** **** Dec. 14, 2004**

(54) **LANTERN FLASHLIGHT**

(75) Inventor: **Michael Ying Hung Li, Shatin (HK)**

(73) Assignee: **The Gillette Company, Boston, MA (US)**

(**) Term: **14 Years**

(21) Appl. No.: **29/188,989**

(22) Filed: **Aug. 27, 2003**

(51) **LOC (7) Cl.** **26-02**

(52) **U.S. Cl.** **D26/48**

(58) **Field of Search** D26/37-50; 362/157,
362/158, 171-174, 183-208

(56) **References Cited**

U.S. PATENT DOCUMENTS

D337,644 S	*	7/1993	Stearns et al.	D26/48
D357,086 S	*	4/1995	Poon	D26/48
D372,549 S	*	8/1996	Lo	D26/48
D376,863 S	*	12/1996	Yuen	D26/48
D389,594 S	*	1/1998	Poon	D26/48

* cited by examiner

Primary Examiner—Marcus A. Jackson

(74) *Attorney, Agent, or Firm*—Barry D. Josephs; Thomas G. Krivulka

(57) **CLAIM**

The ornamental design for the lantern flashlight, as shown and described.

DESCRIPTION

FIG. 1 is a top perspective view of the lantern flashlight of the invention with the stand in closed position;

FIG. 2 is a top plan view of FIG. 1;

FIG. 3 is a left side elevation view of FIG. 1; the opposite side being a mirror image;

FIG. 4 is a bottom plan view of FIG. 1;

FIG. 5 is a front end view of FIG. 1;

FIG. 6 is back end view of FIG. 1;

FIG. 7 is a top perspective view of the lantern flashlight of the invention with the stand in an open position; and,

FIG. 8 is a top perspective view of the lantern flashlight of the invention with the stand attached to a wall surface.

The broken line disclosure of unclaimed environmental structure shown in the drawings is for illustrative purposes only and does not constitute a part of the claimed design.

1 Claim, 7 Drawing Sheets

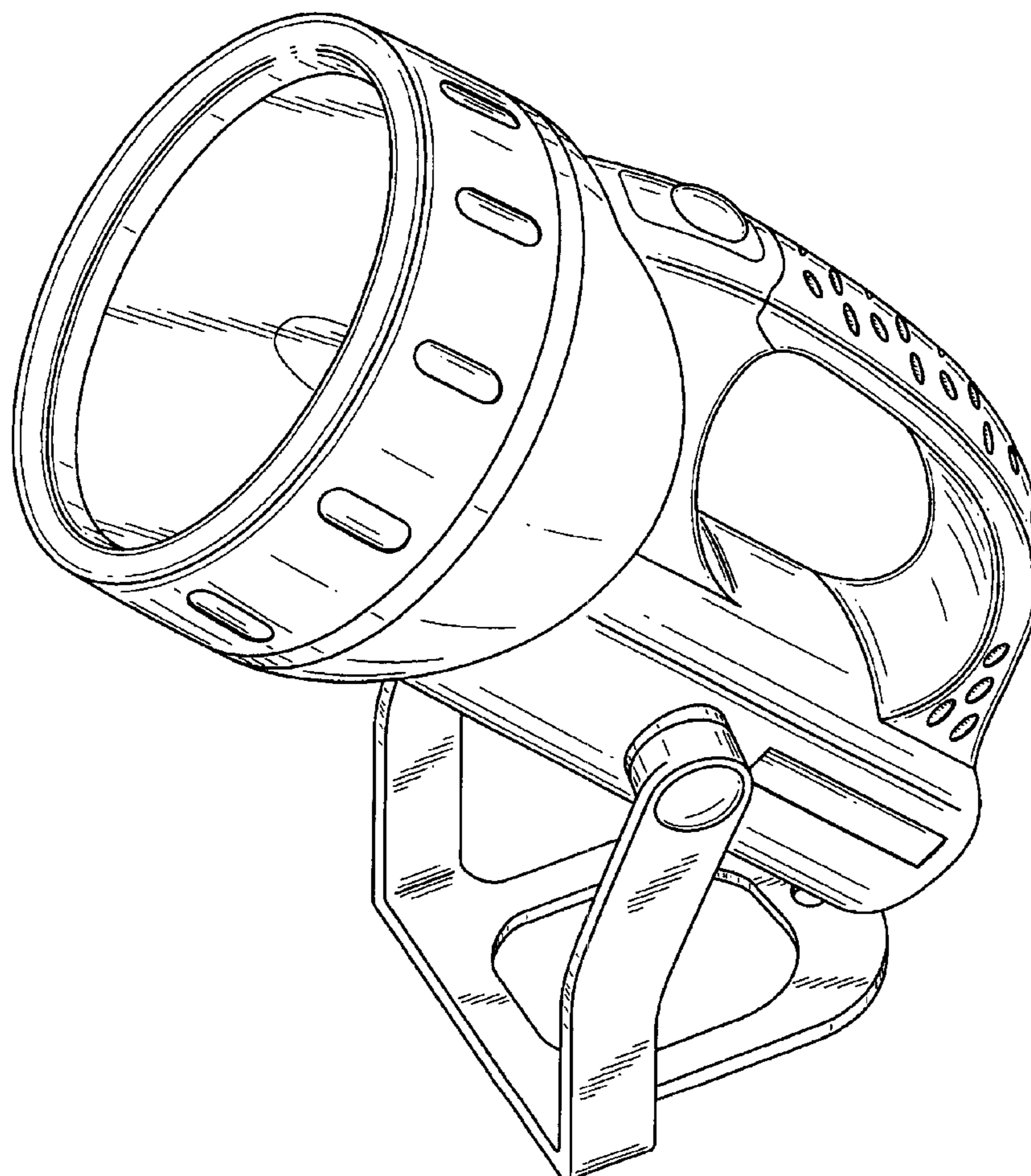


FIG. 1

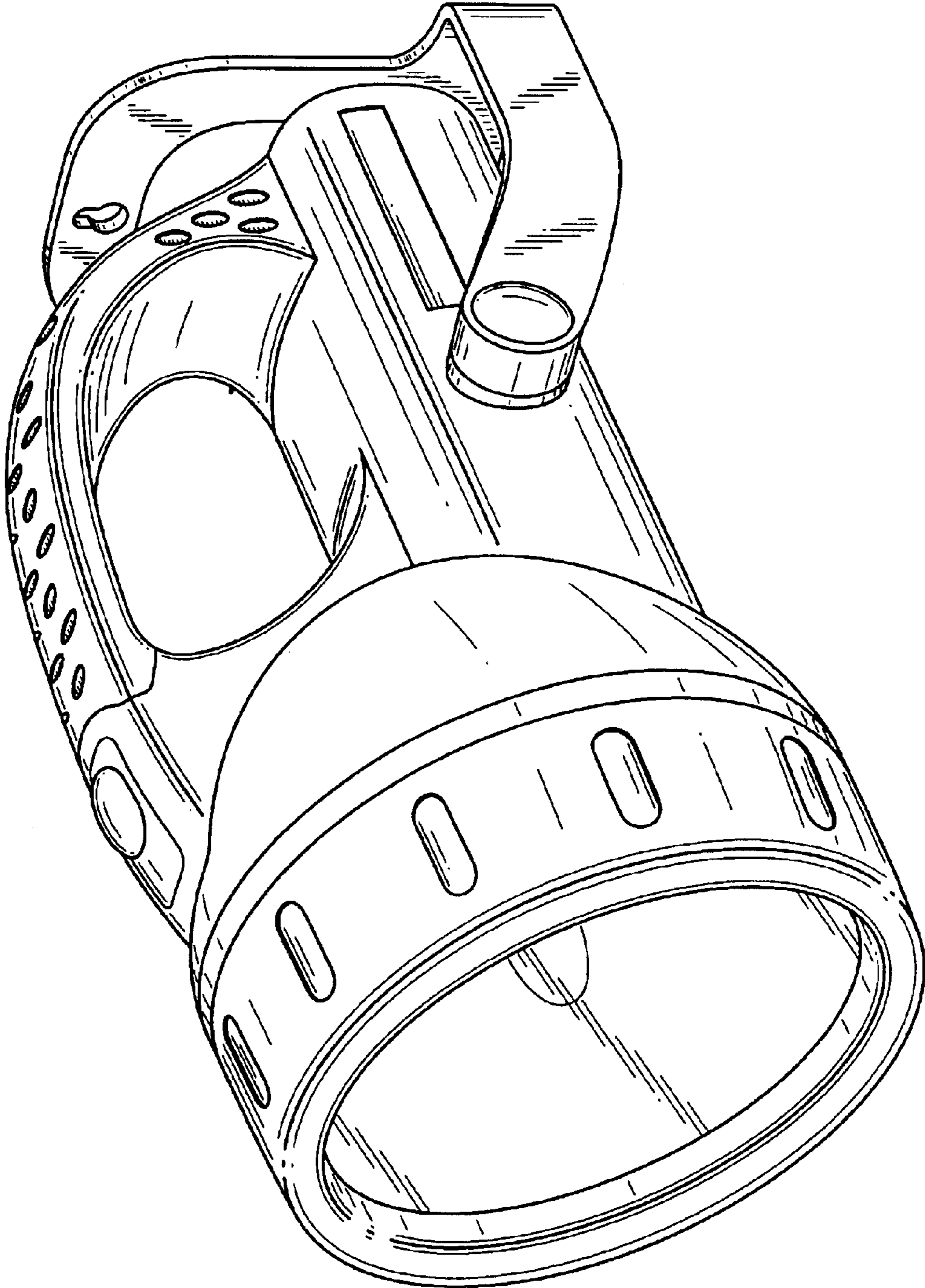


FIG. 2

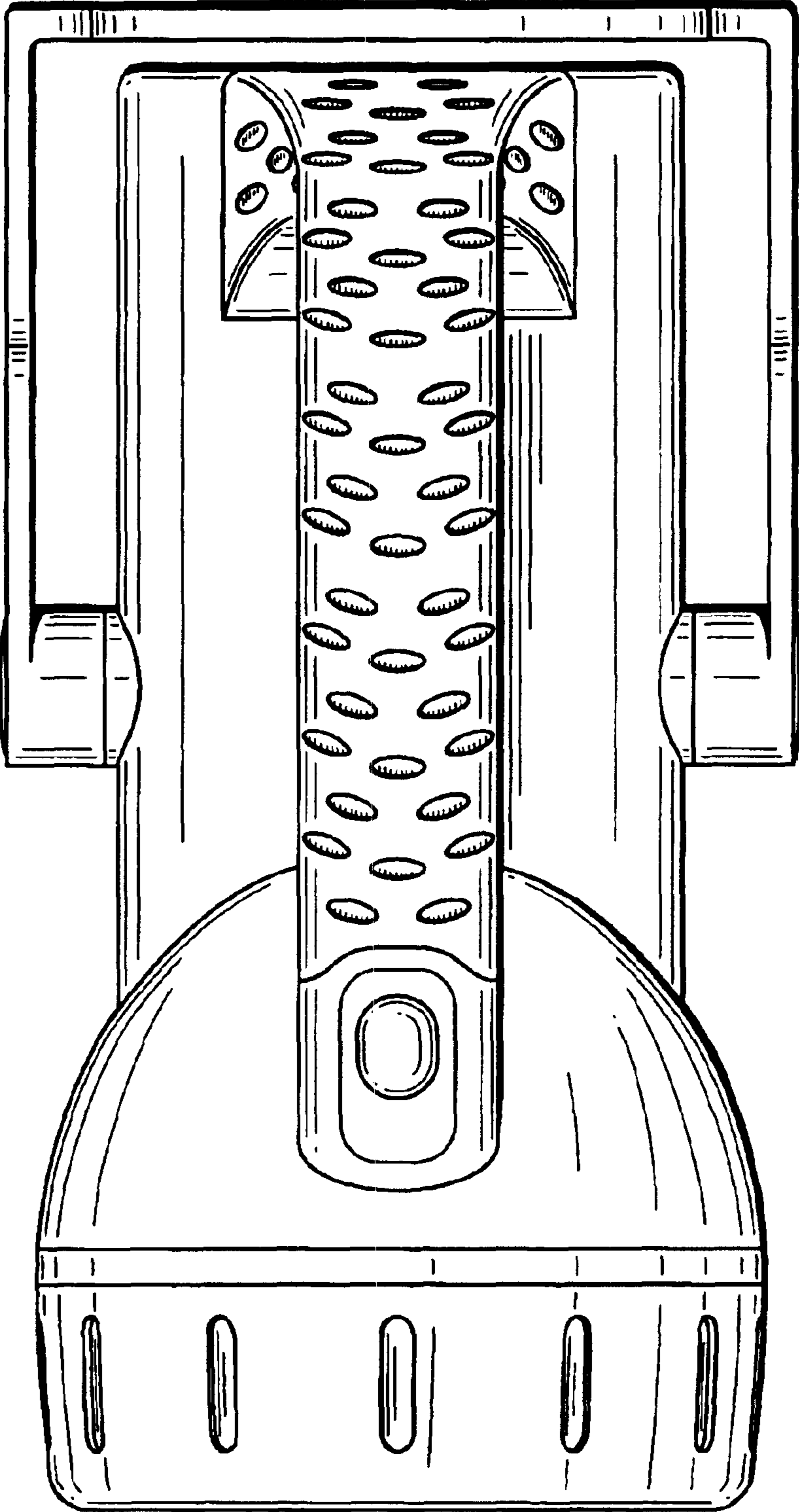


FIG. 3

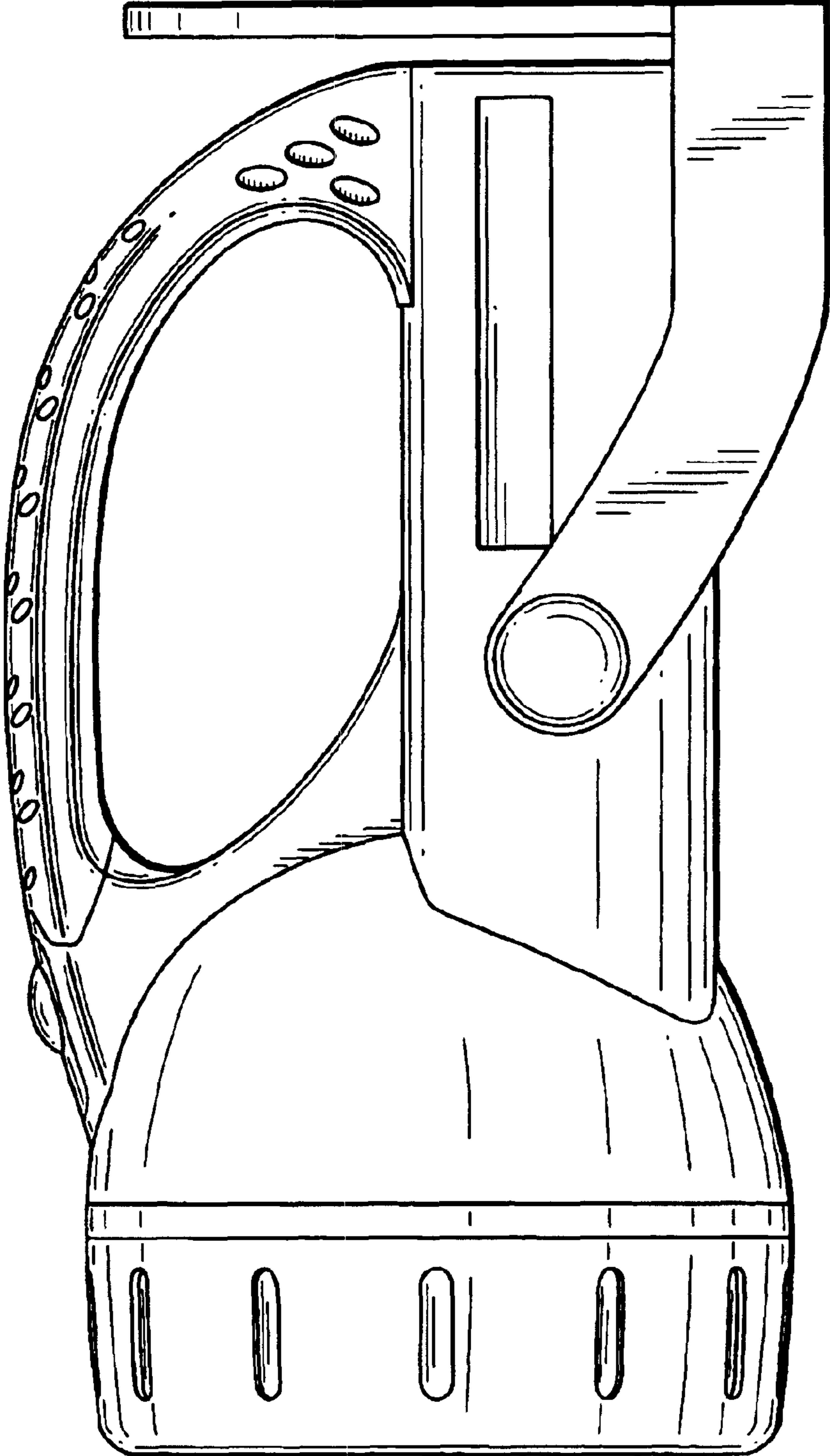


FIG. 4

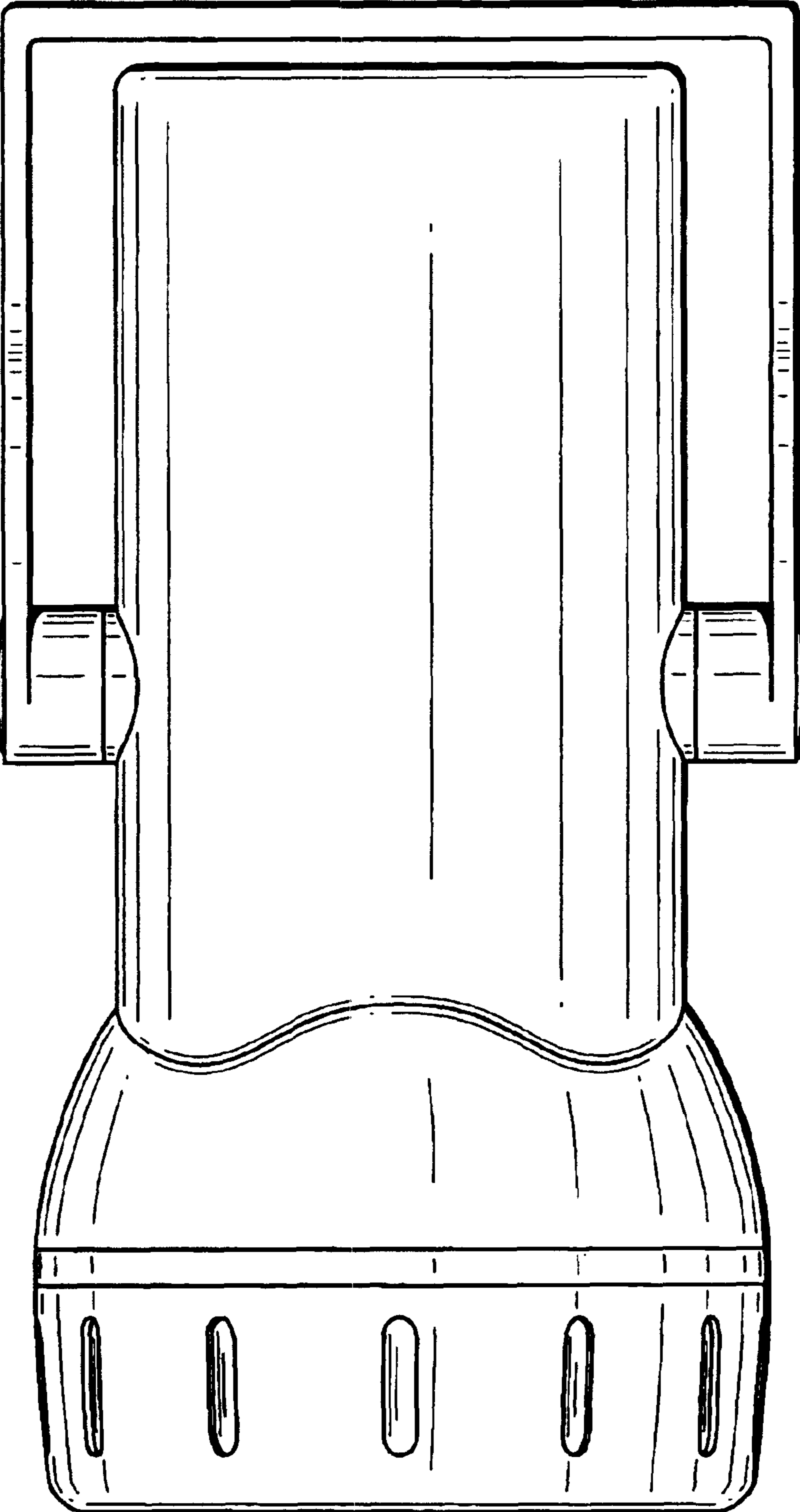


FIG. 5

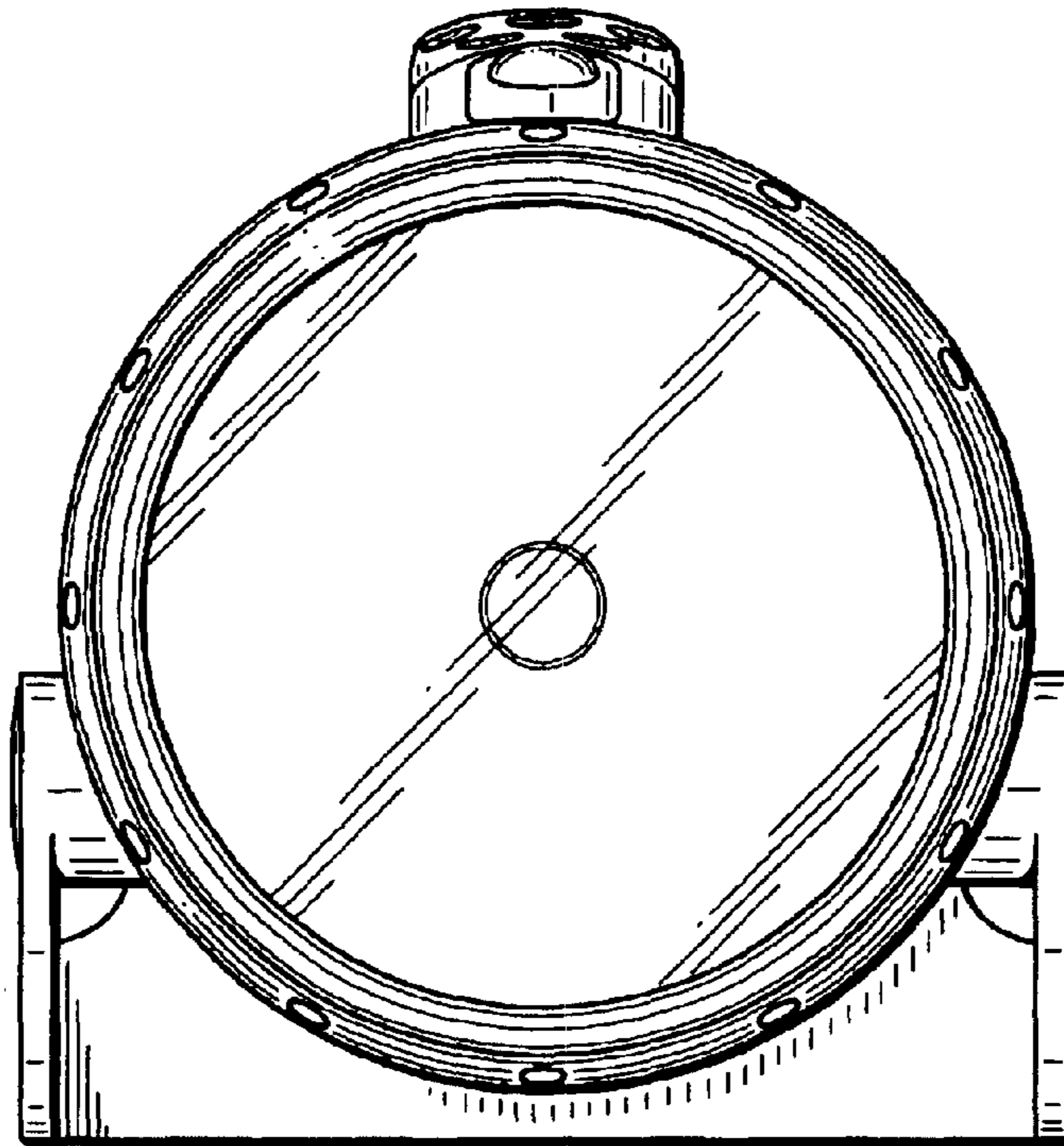


FIG. 6

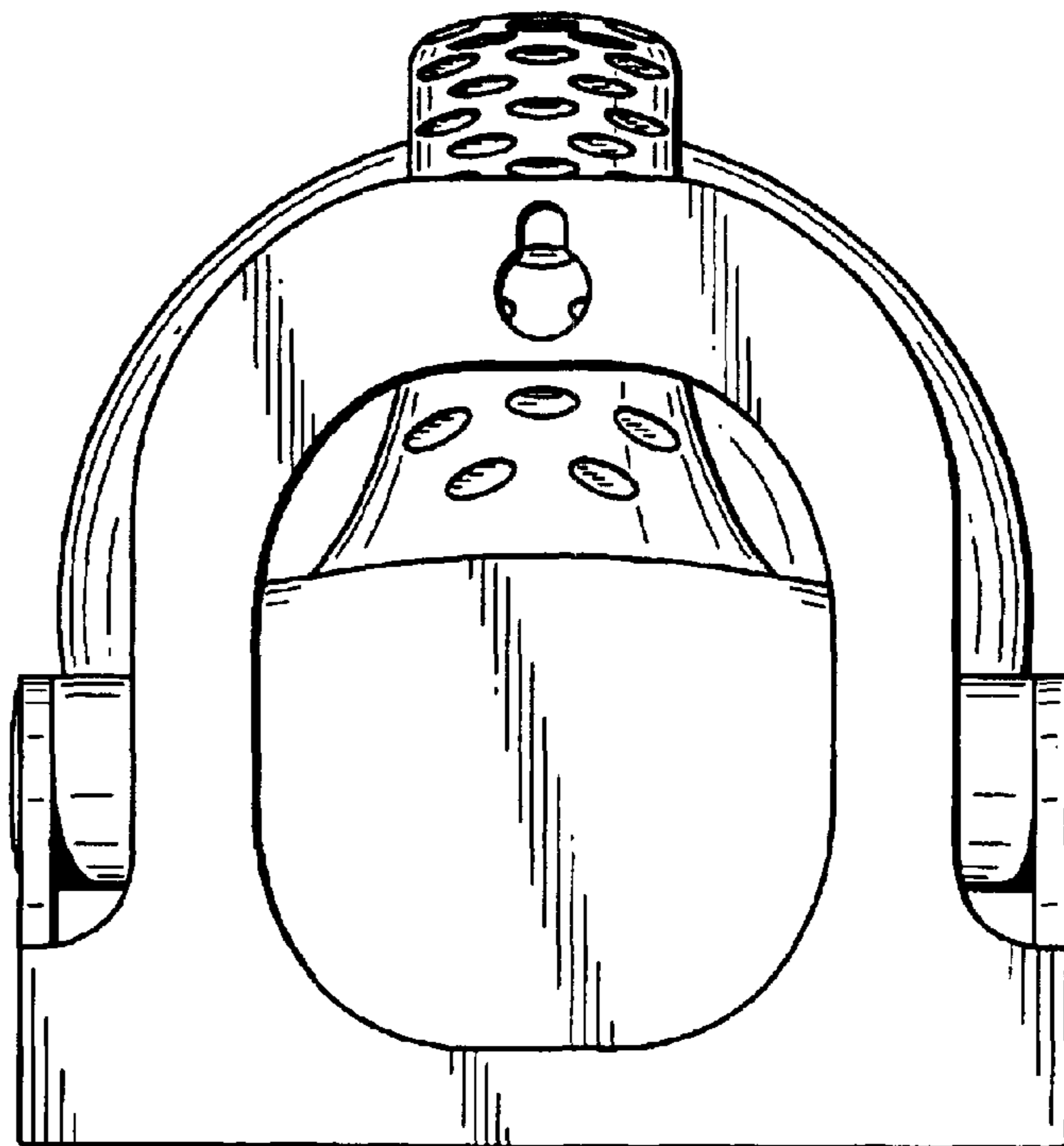


FIG. 7

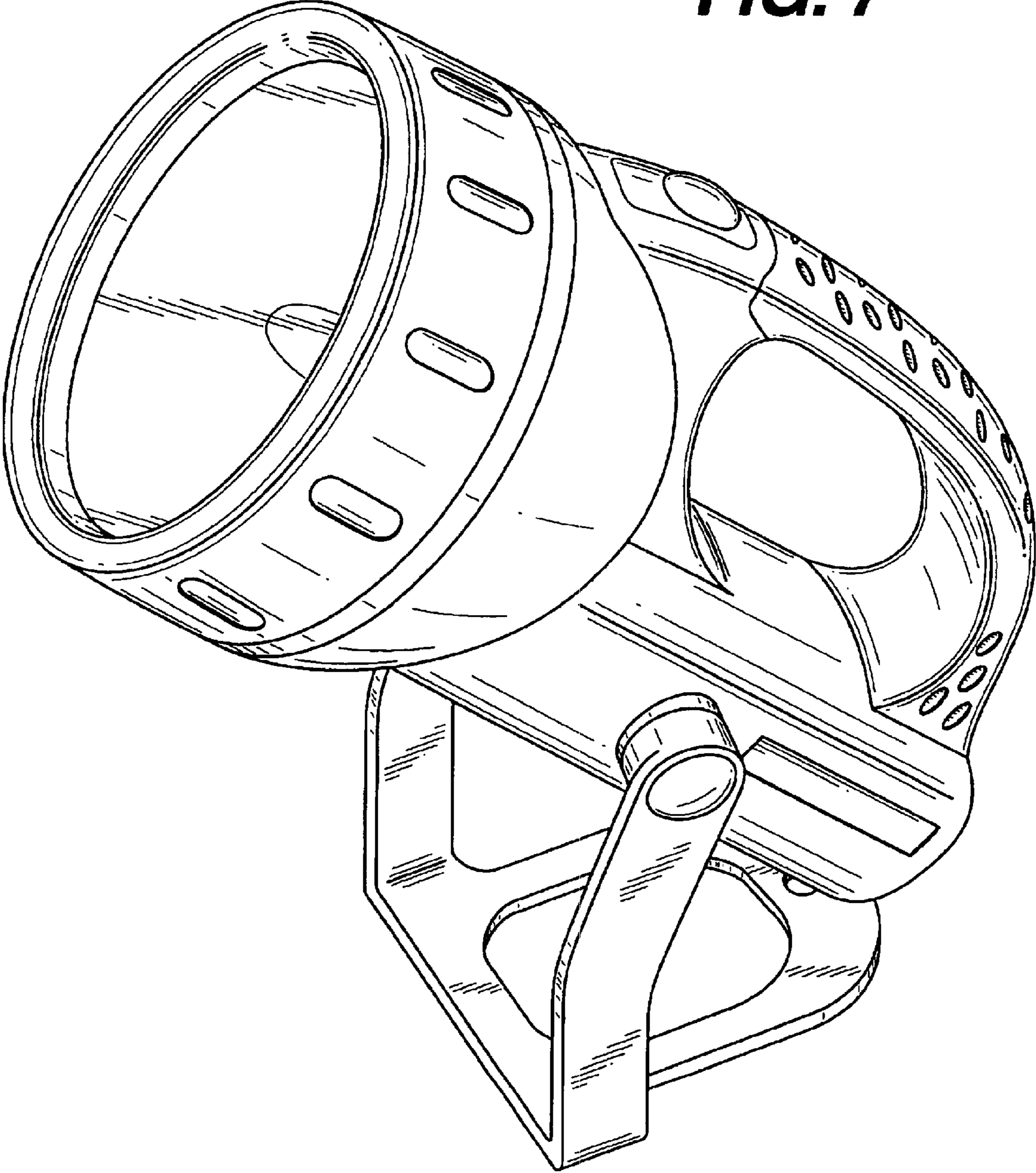


FIG. 8

