



US00D499825S

(12) **United States Design Patent** (10) **Patent No.:** **US D499,825 S**
Wolf (45) **Date of Patent:** **** Dec. 14, 2004**

(54) **PORTABLE INTERIOR LIGHT WITH CLIP**

(74) *Attorney, Agent, or Firm*—Elliott N. Kramsky

(76) **Inventor:** **Dane Wolf**, 5112 Sepulveda Blvd., Unit 108, Sherman Oaks, CA (US) 91403

(57) **CLAIM**

The ornamental design for a portable interior light with clip, as shown and described.

(**) **Term:** **14 Years**

DESCRIPTION

(21) **Appl. No.:** **29/203,079**

FIG. 1 is an illustration of the invention in the environment of a purse shown in shadow outline, with the broken line showing for illustrative purposes only and forming no part of the claimed design;

(22) **Filed:** **Apr. 8, 2004**

(51) **LOC (7) Cl.** **26-02**

(52) **U.S. Cl.** **D26/39**

(58) **Field of Search** D26/37-50; 362/459-468, 362/473-476, 485-487

FIG. 2 is a front elevation view of the portable interior light with clip of the invention;

FIG. 3 is a top plan view of the portable interior light with clip of the invention;

(56) **References Cited**

U.S. PATENT DOCUMENTS

D392,403 S * 3/1998 Benensohn D26/39

D445,930 S * 7/2001 Se Kit D26/39

D489,470 S * 5/2004 Yuen D26/39

FIG. 4 is a rear elevation view of the portable interior light with clip of the invention;

FIG. 5 is a left side elevation view of the portable interior light with clip of the invention, it being understood that the right side elevation view is a mirror image thereof; and,

FIG. 6 is a bottom plan view of the portable interior light with clip of the invention.

* cited by examiner

Primary Examiner—Marcus A. Jackson

1 Claim, 2 Drawing Sheets

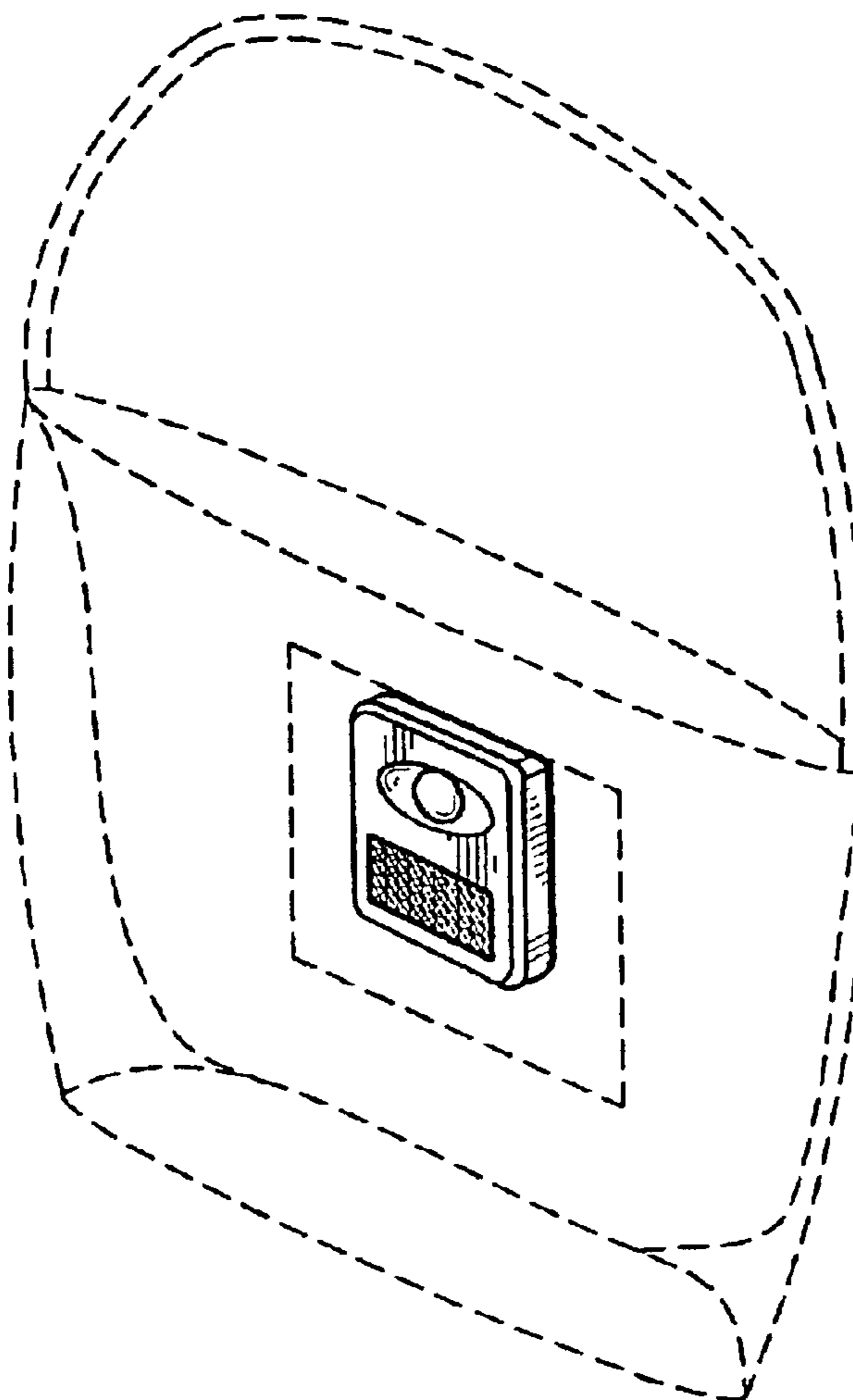


FIG. 1

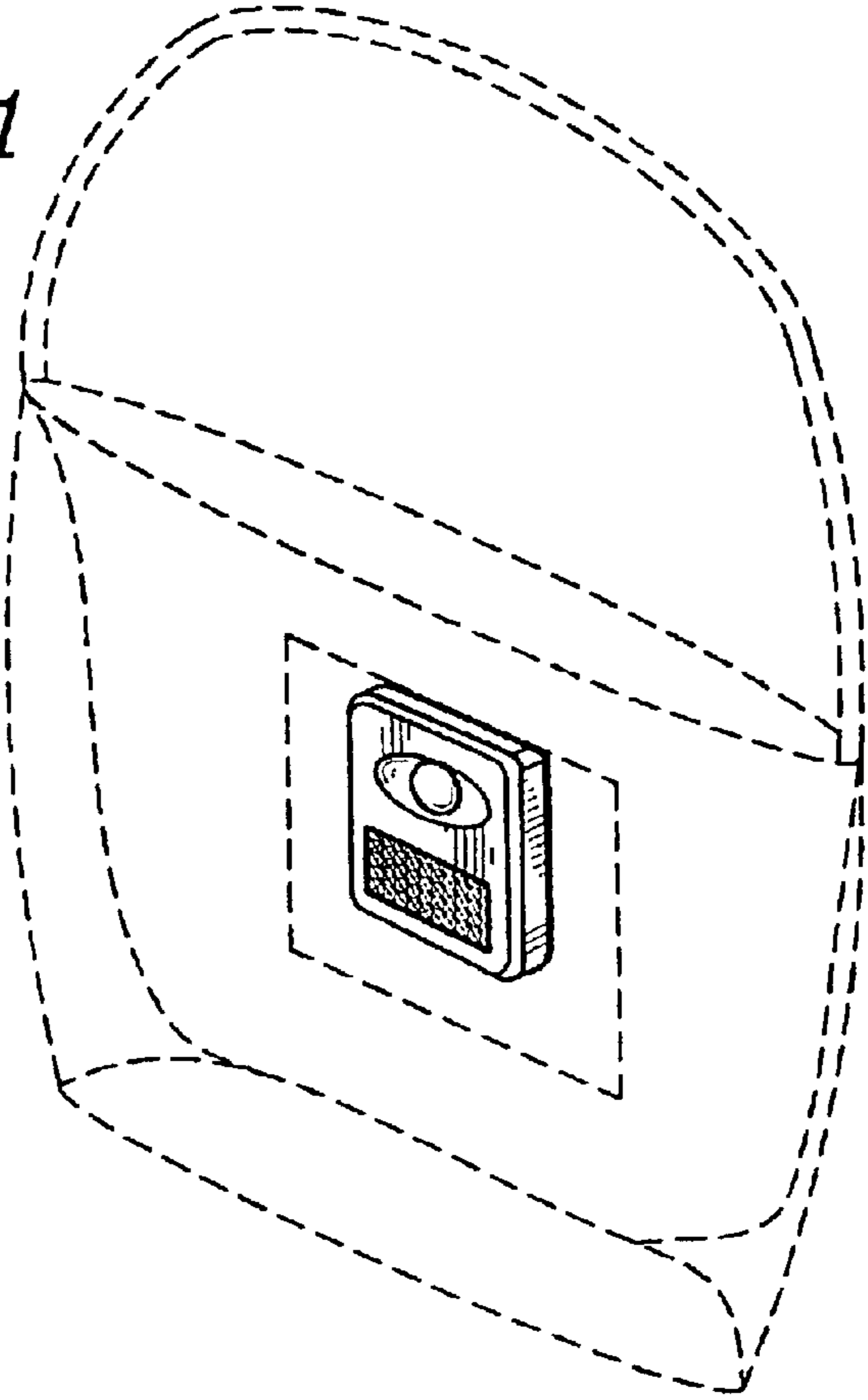
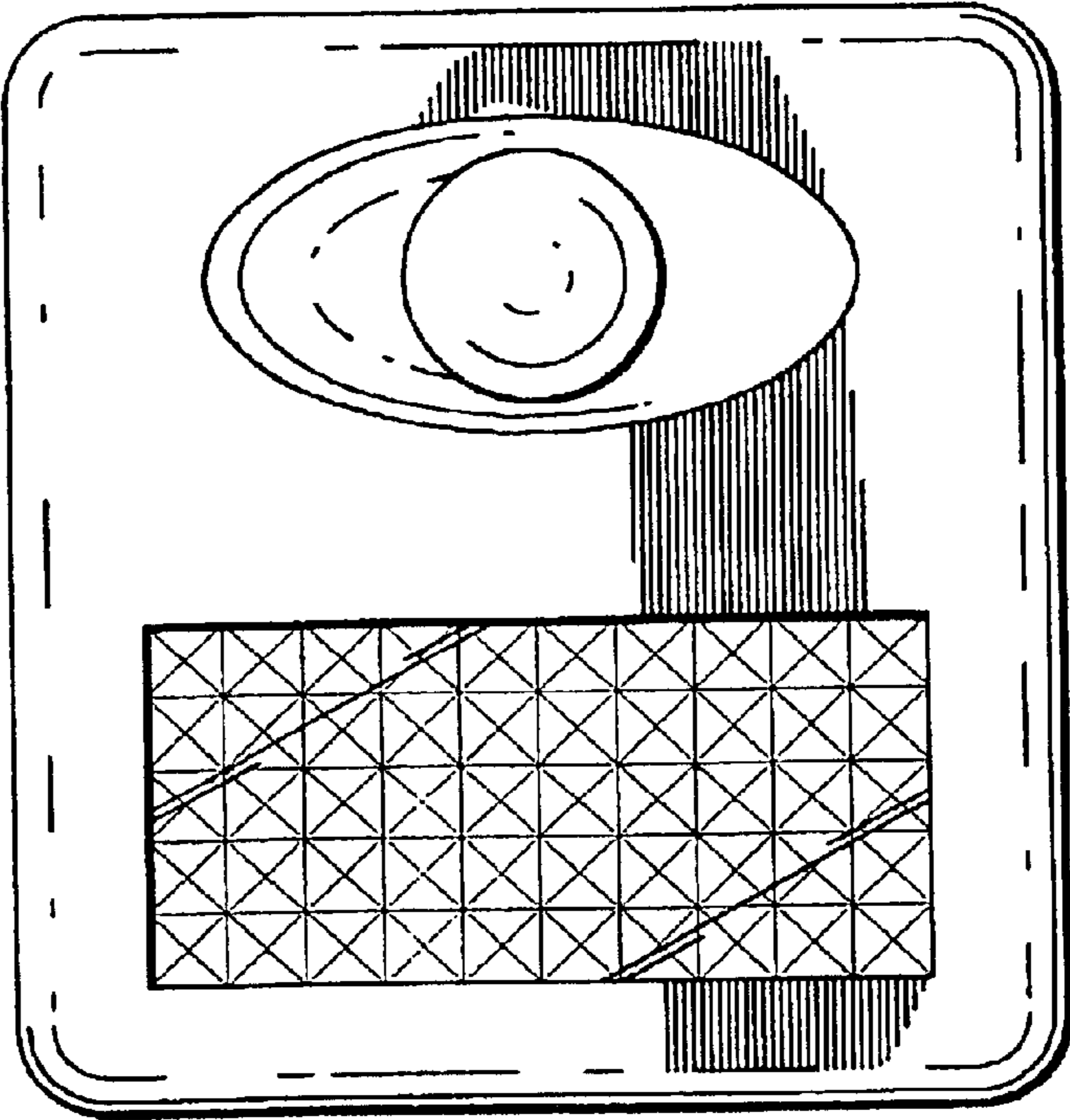


FIG. 2



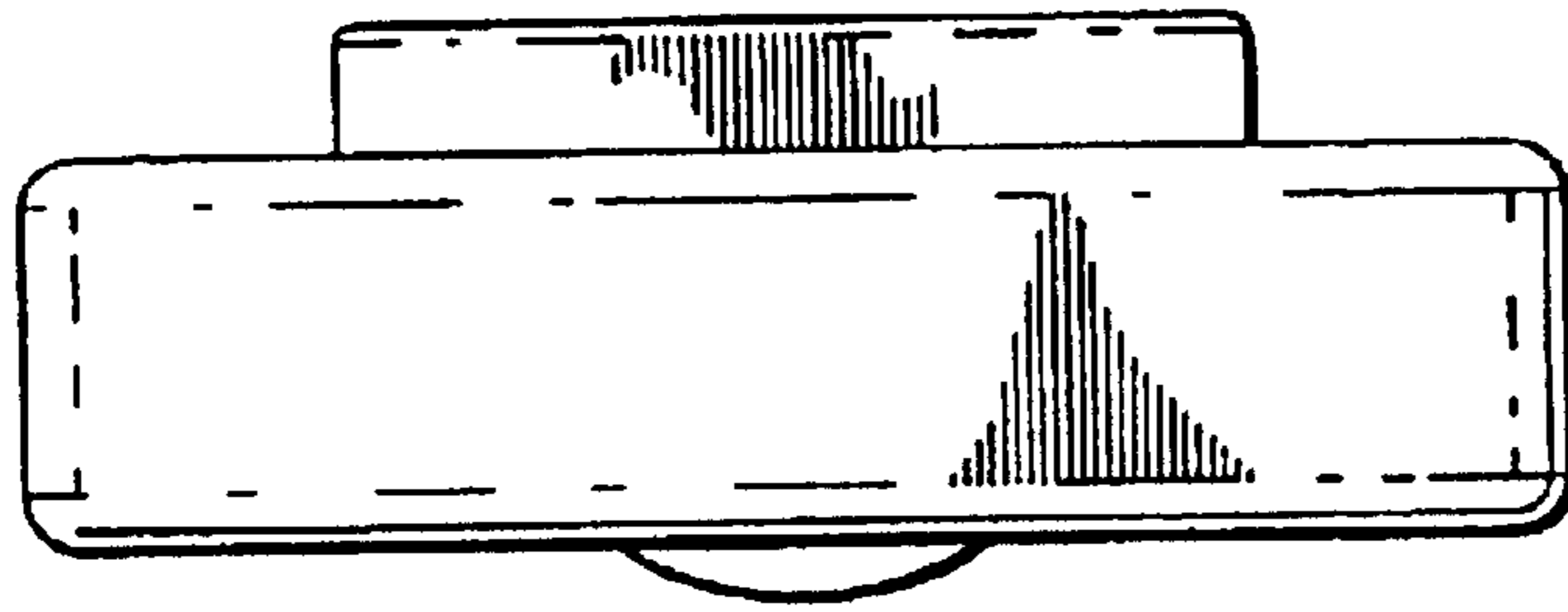


FIG. 3

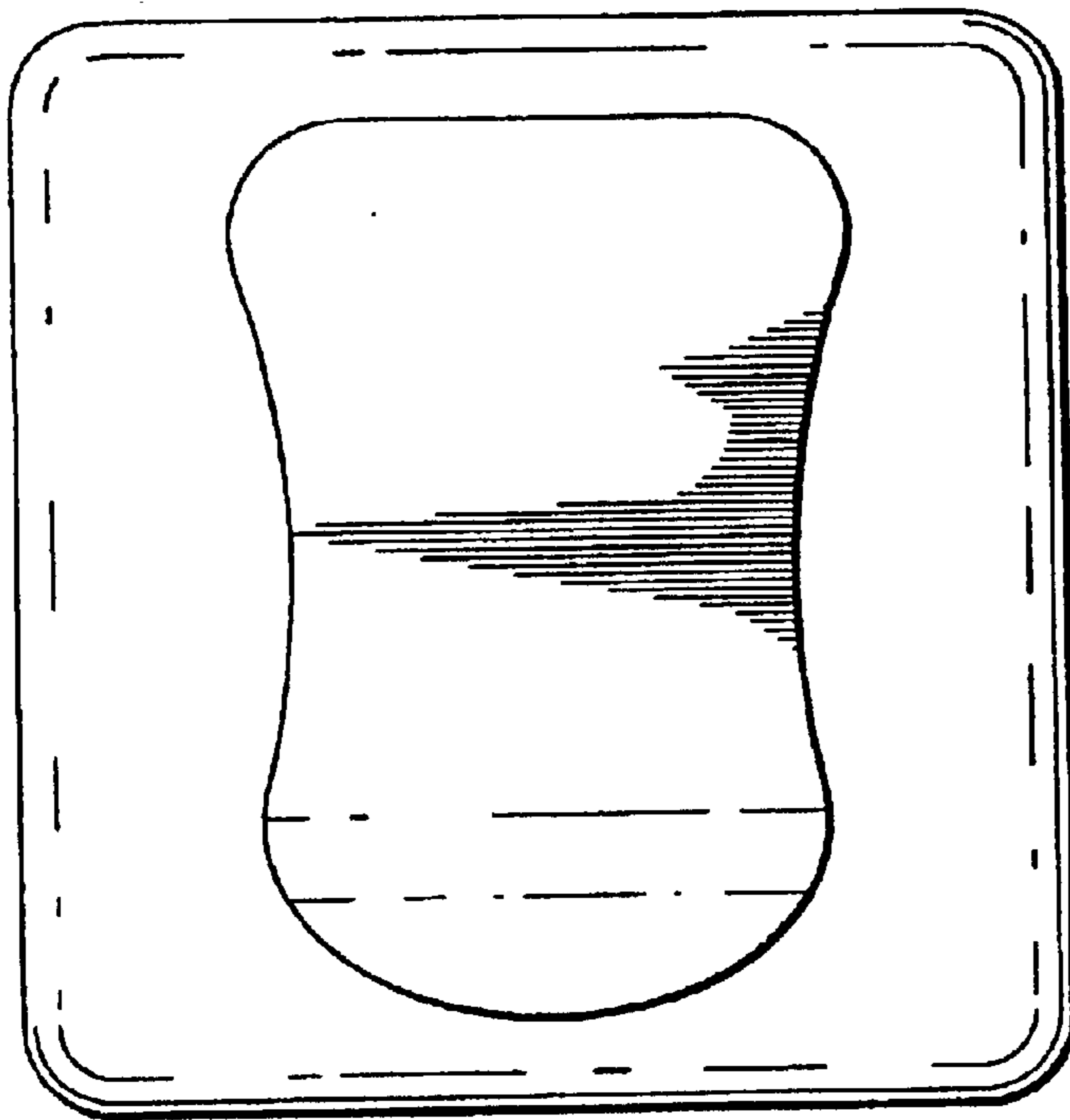


FIG. 4

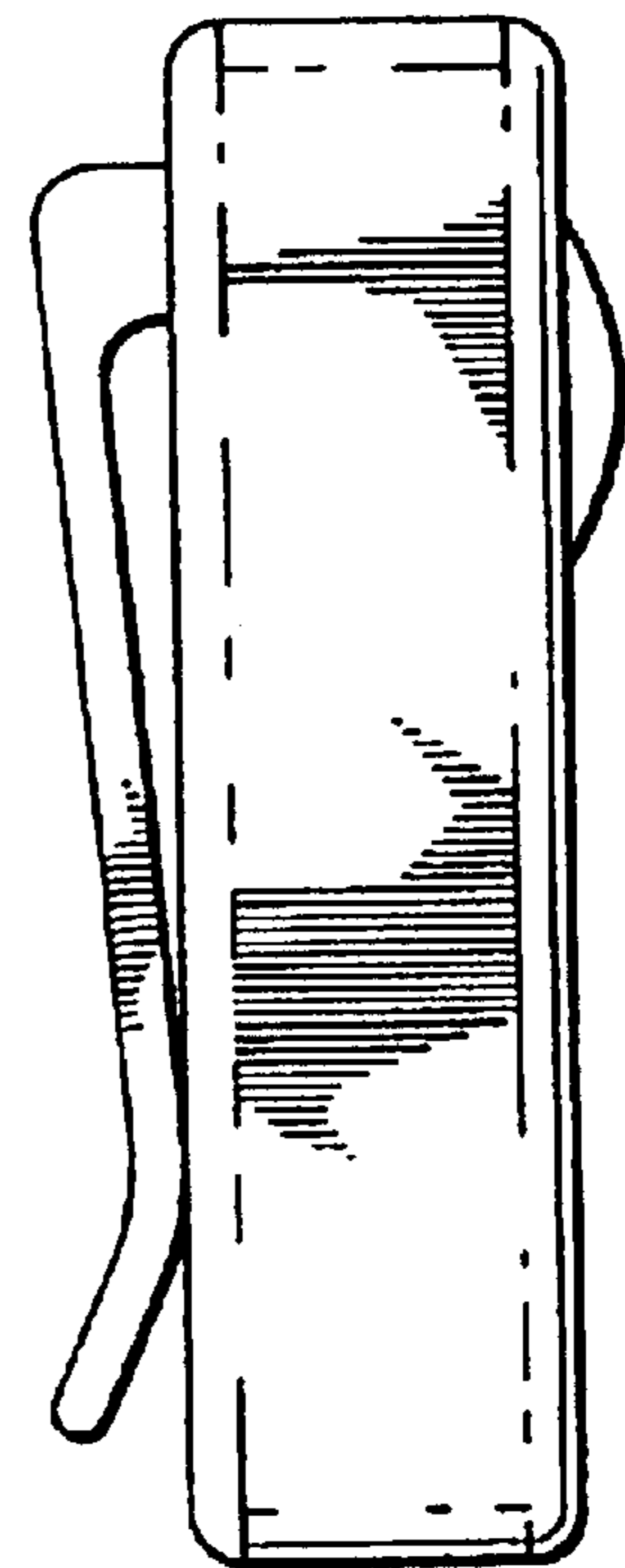


FIG. 5

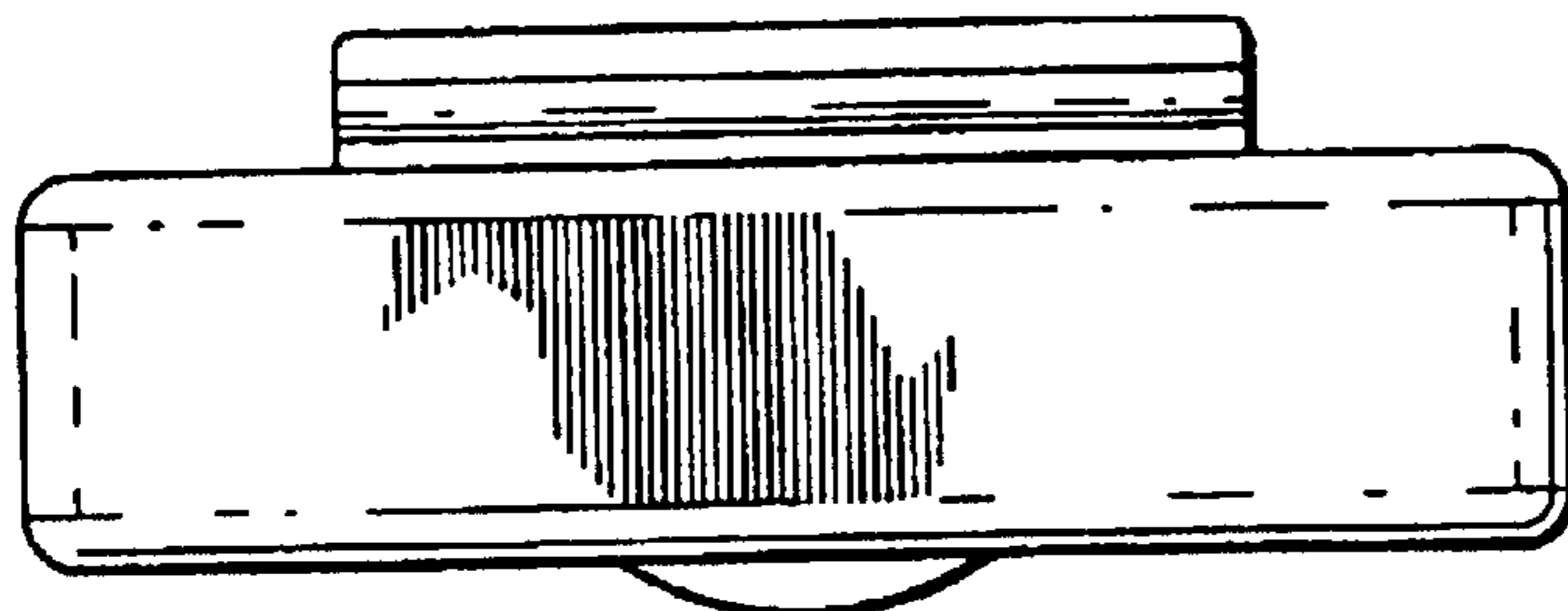


FIG. 6