



US00D499817S

(12) **United States Design Patent**  
**Franson**

(10) **Patent No.:** **US D499,817 S**  
(45) **Date of Patent:** **\*\* Dec. 14, 2004**

(54) **WINDOW COMPONENT EXTRUSION**

(75) **Inventor:** **Jeffrey R. Franson**, Maple Valley, WA (US)  
(73) **Assignee:** **Mikron Industries, Inc.**, Kent, WA (US)  
(\*\*) **Term:** **14 Years**

(21) **Appl. No.:** **29/195,232**  
(22) **Filed:** **Dec. 8, 2003**

(51) **LOC (7) Cl.** ..... **25-01**  
(52) **U.S. Cl.** ..... **D25/124**  
(58) **Field of Search** ..... D25/124, 125;  
52/204.1, 204.5; 49/DIG. 2, 504

(56) **References Cited**

**U.S. PATENT DOCUMENTS**

D333,876 S 3/1993 Cole ..... D25/124  
D379,528 S \* 5/1997 DiGiorgio ..... D25/124

**OTHER PUBLICATIONS**

Mikron Part No. 8472; First Drawn: Aug. 16, 2001, First Sold: Dec. 10, 2001.

\* cited by examiner

*Primary Examiner*—Doris Clark

(74) *Attorney, Agent, or Firm*—Black Lowe & Graham PLLC

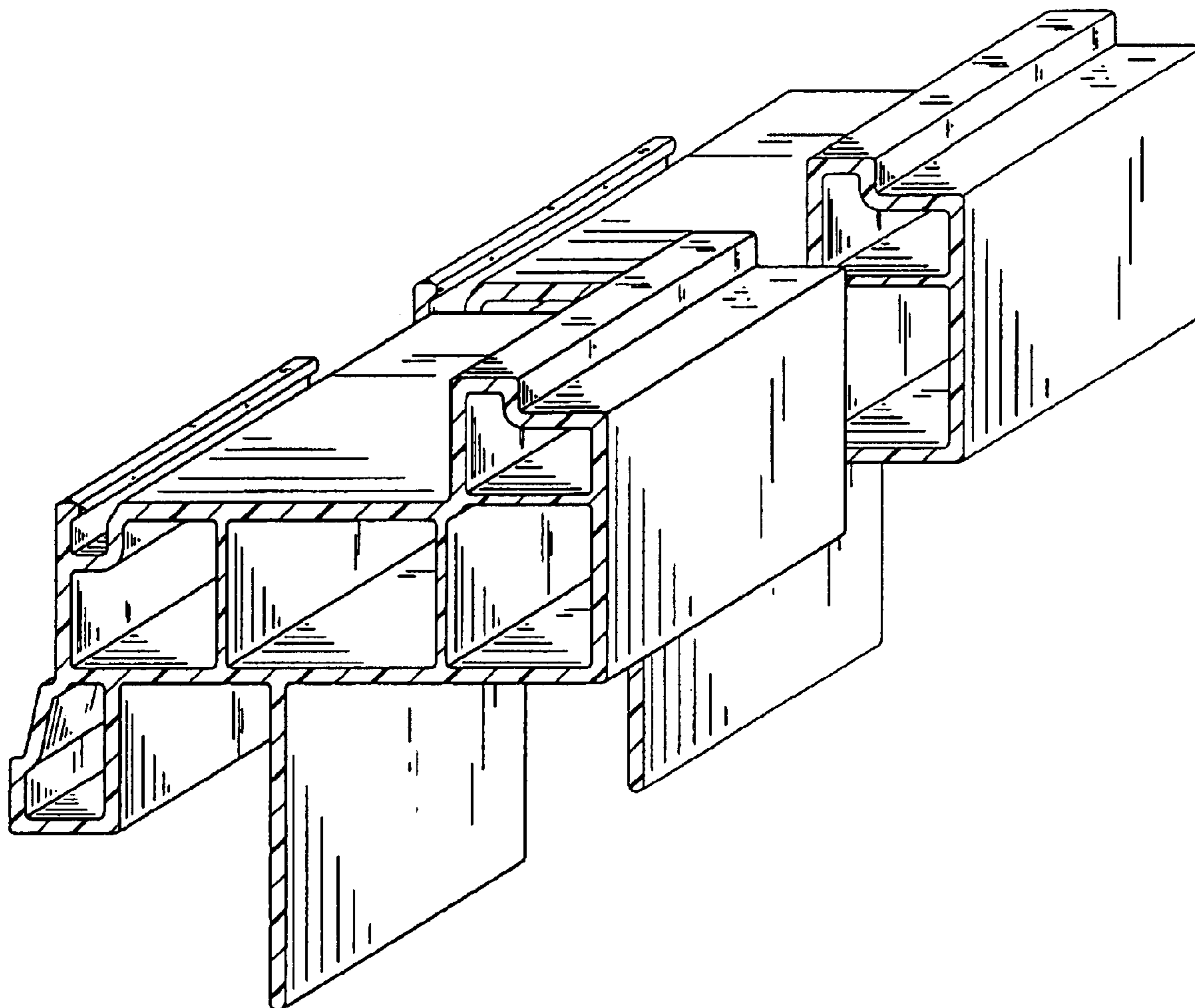
(57) **CLAIM**

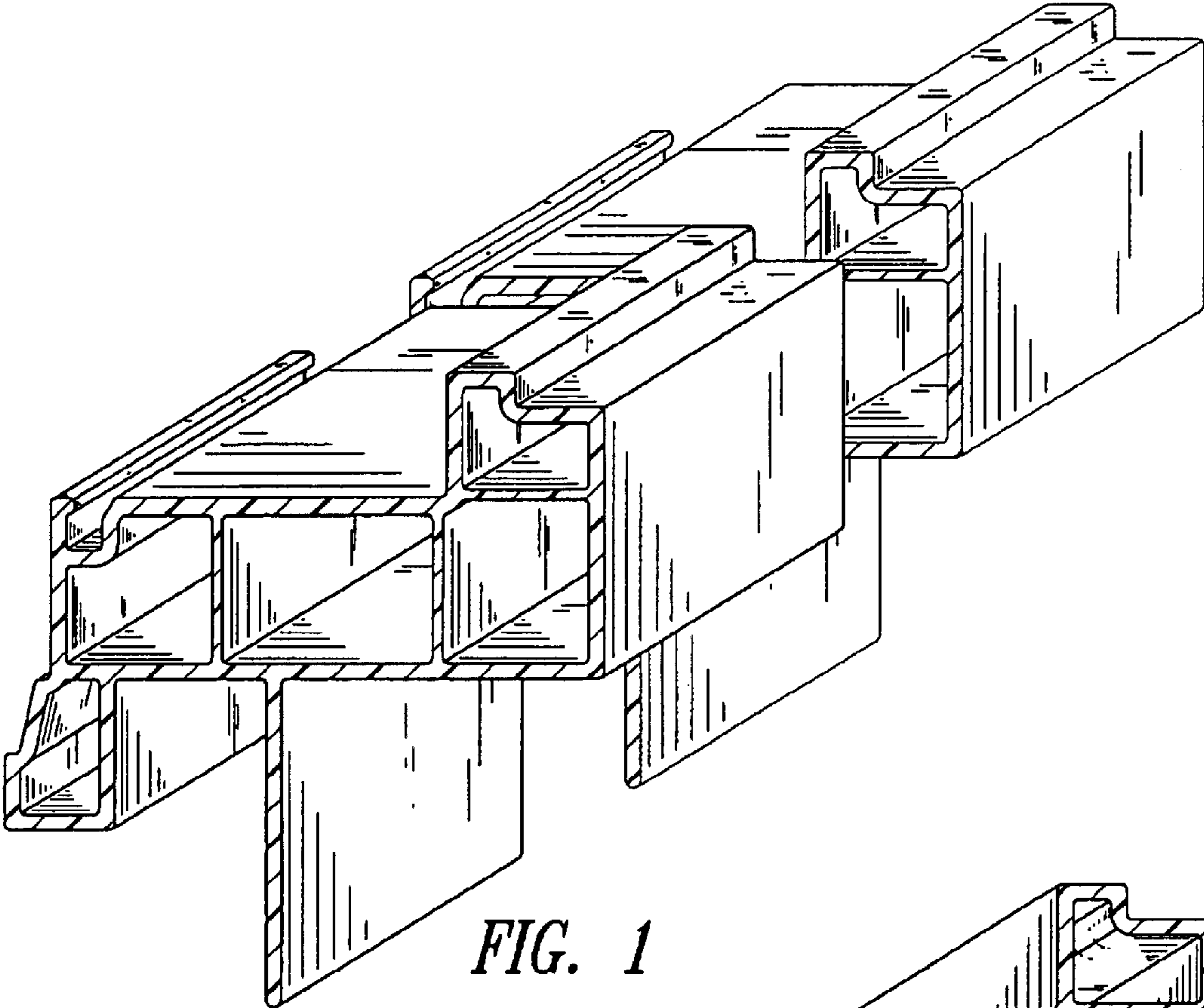
The ornamental design for a window component extrusion, as shown and described.

**DESCRIPTION**

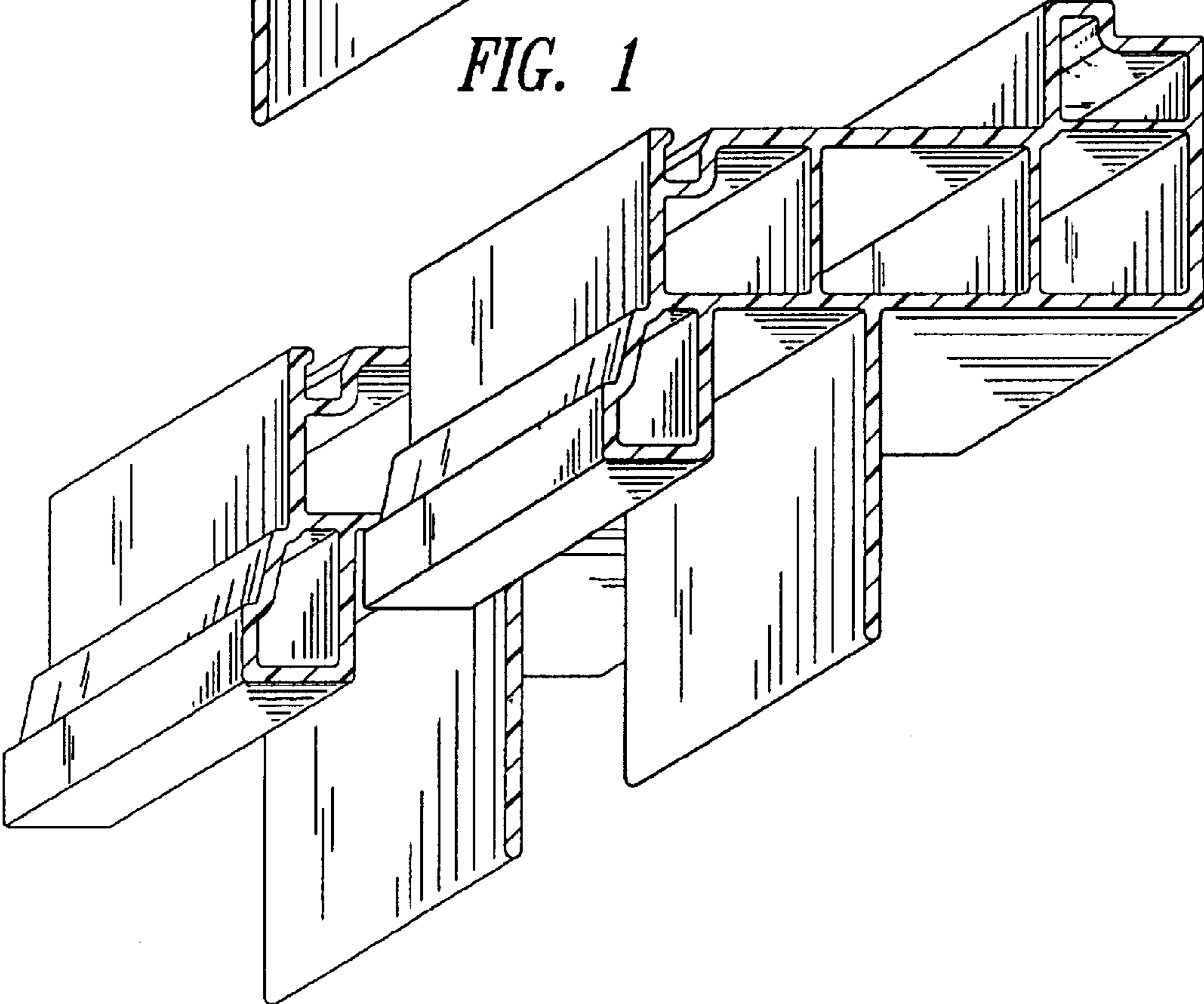
FIG. 1 is a top right perspective view of the window component extrusion which is broken in the center indicating indefinite length; and, FIG. 2 is a bottom left perspective view of the window component extrusion shown in FIG. 1.

**1 Claim, 1 Drawing Sheet**





*FIG. 1*



*FIG. 2*