

US00D499816S

(12) **United States Design Patent**  
**Eichner et al.**

(10) **Patent No.:** **US D499,816 S**  
(45) **Date of Patent:** **\*\* Dec. 14, 2004**

(54) **MOULDING**

(75) Inventors: **Eugene Eichner**, Dix Hills, NY (US);  
**L. Gordon Van Vechten**, St. James,  
NY (US)

(73) Assignee: **Framerica Corporation**, Yaphank, NY  
(US)

(\*\*) **Term:** **14 Years**

(21) **Appl. No.:** **29/198,759**

(22) **Filed:** **Feb. 3, 2004**

**Related U.S. Application Data**

(62) Division of application No. 29/167,598, filed on Sep. 17,  
2002, now Pat. No. Des. 486,247.

(51) **LOC (7) Cl.** ..... **25-01**

(52) **U.S. Cl.** ..... **D25/119; D25/136**

(58) **Field of Search** ..... **D25/136, 119;**  
**52/716.1, 717.03, 287.1, 718.01**

(56) **References Cited**

**U.S. PATENT DOCUMENTS**

D212,080 S 8/1968 Vondergoltz

5,819,485 A 10/1998 Lane et al.  
5,992,115 A 11/1999 Felix  
D419,692 S 1/2000 Ancel

*Primary Examiner*—Doris Clark  
(74) *Attorney, Agent, or Firm*—Kenyon & Kenyon

(57) **CLAIM**

The ornamental design for a moulding, as shown and described.

**DESCRIPTION**

FIG. 1 is a perspective view of an embodiment of a moulding showing our new design;

FIG. 2 is an end view thereof;

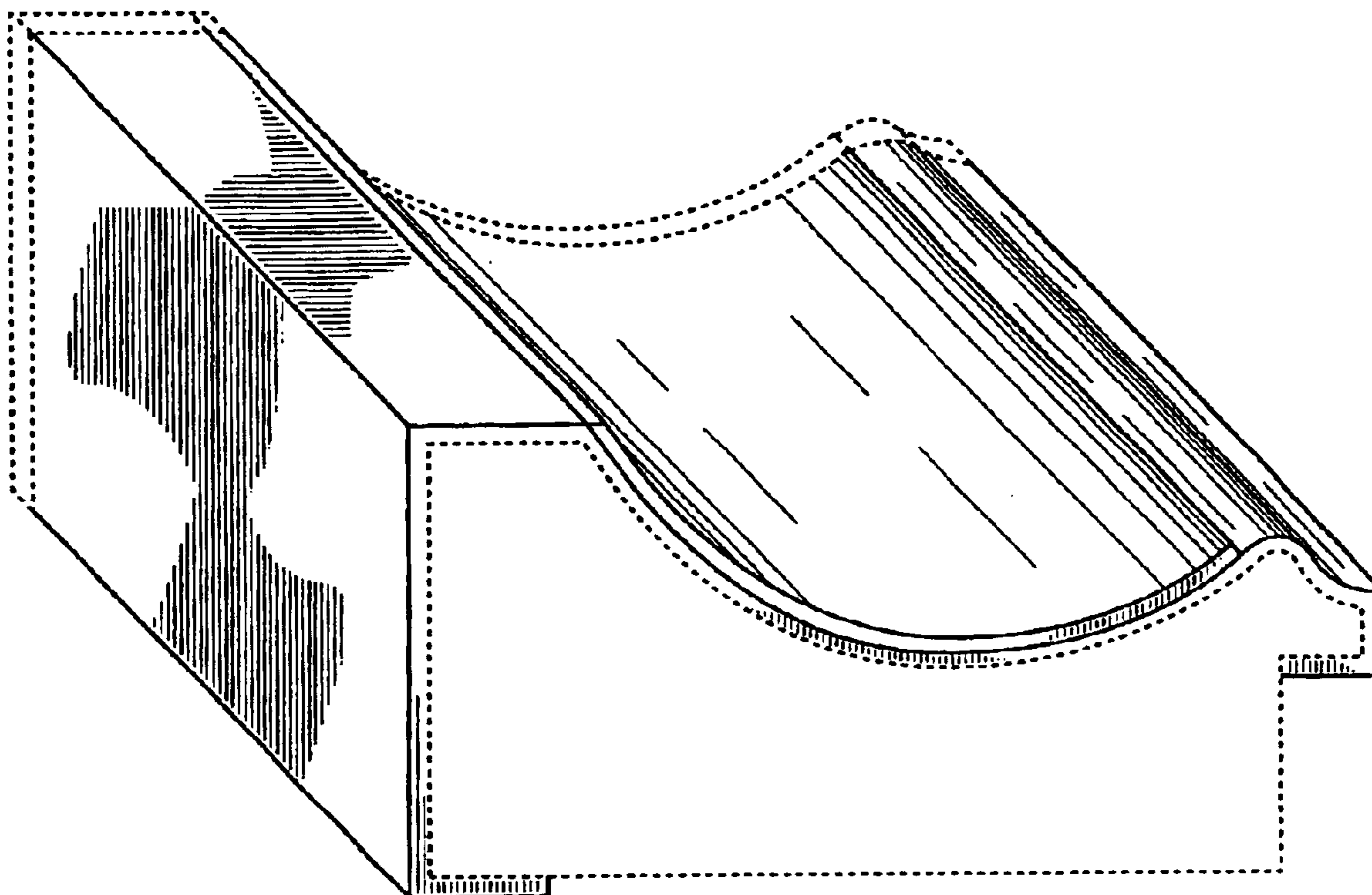
FIG. 3 is a front view thereof;

FIG. 4 is a bottom view thereof; and,

FIG. 5 is a top view of the design.

The double broken lines indicate that the moulding continues indeterminately in the direction depicted. The single broken line portions are for illustrative purposes only and form no part of the claimed design.

**1 Claim, 3 Drawing Sheets**



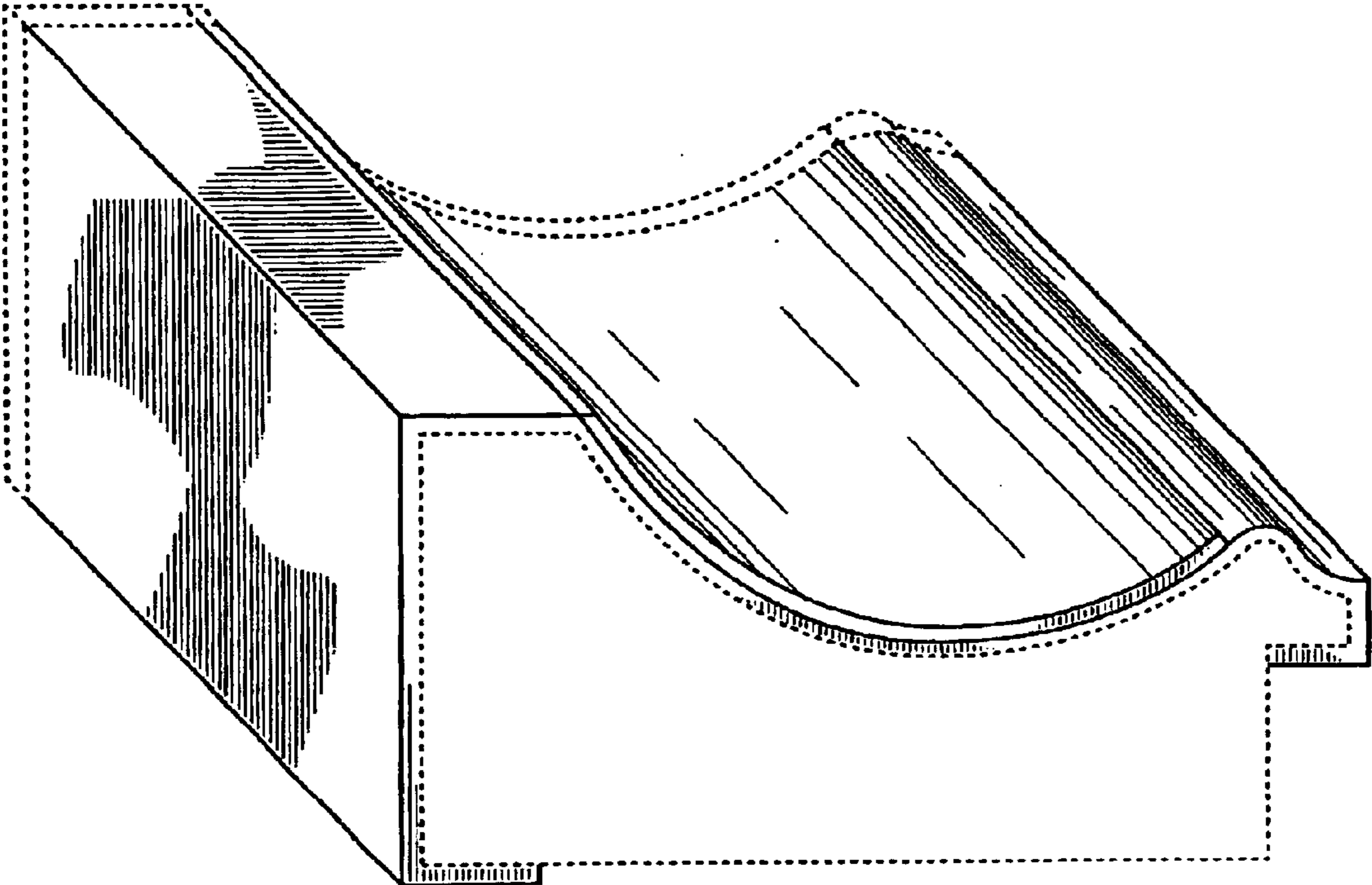


FIGURE 1

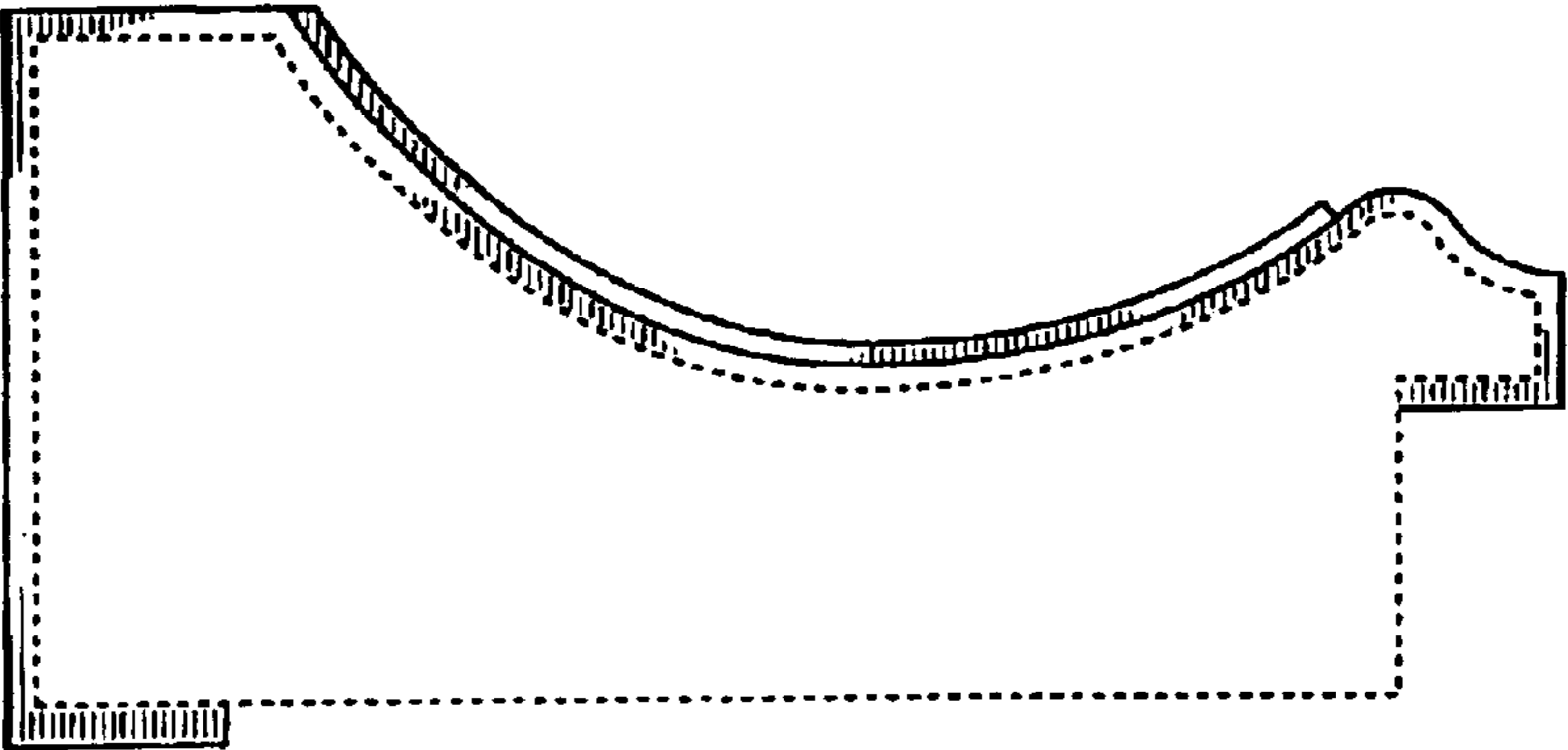


FIGURE 2

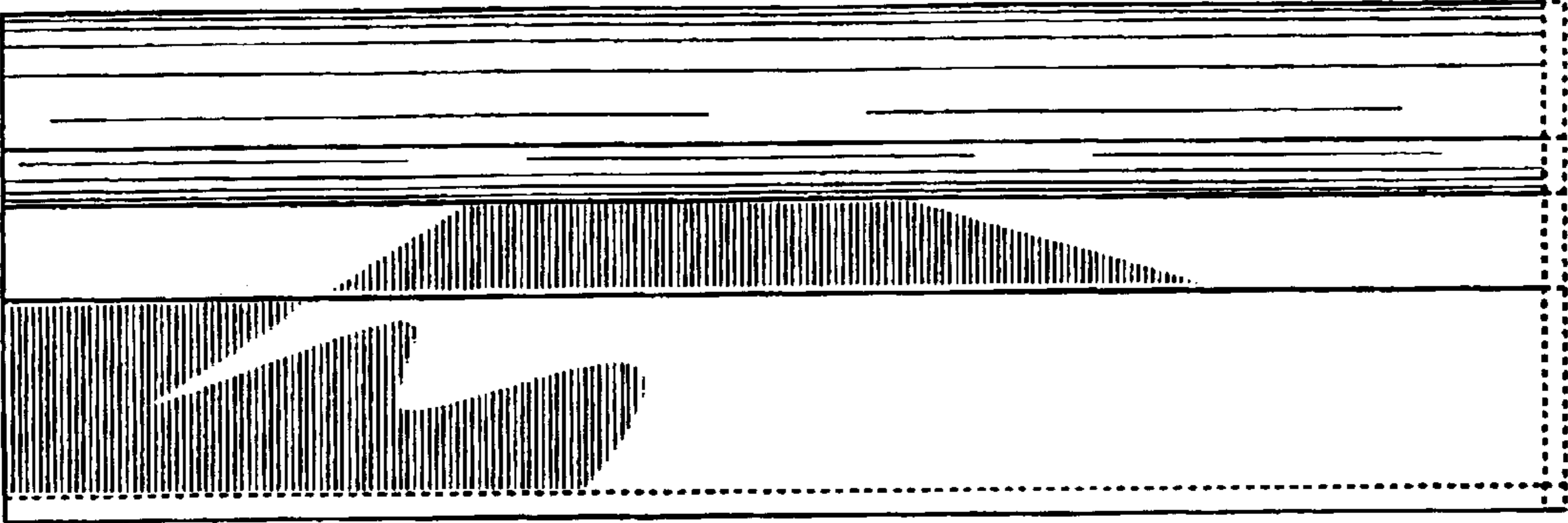


FIGURE 3

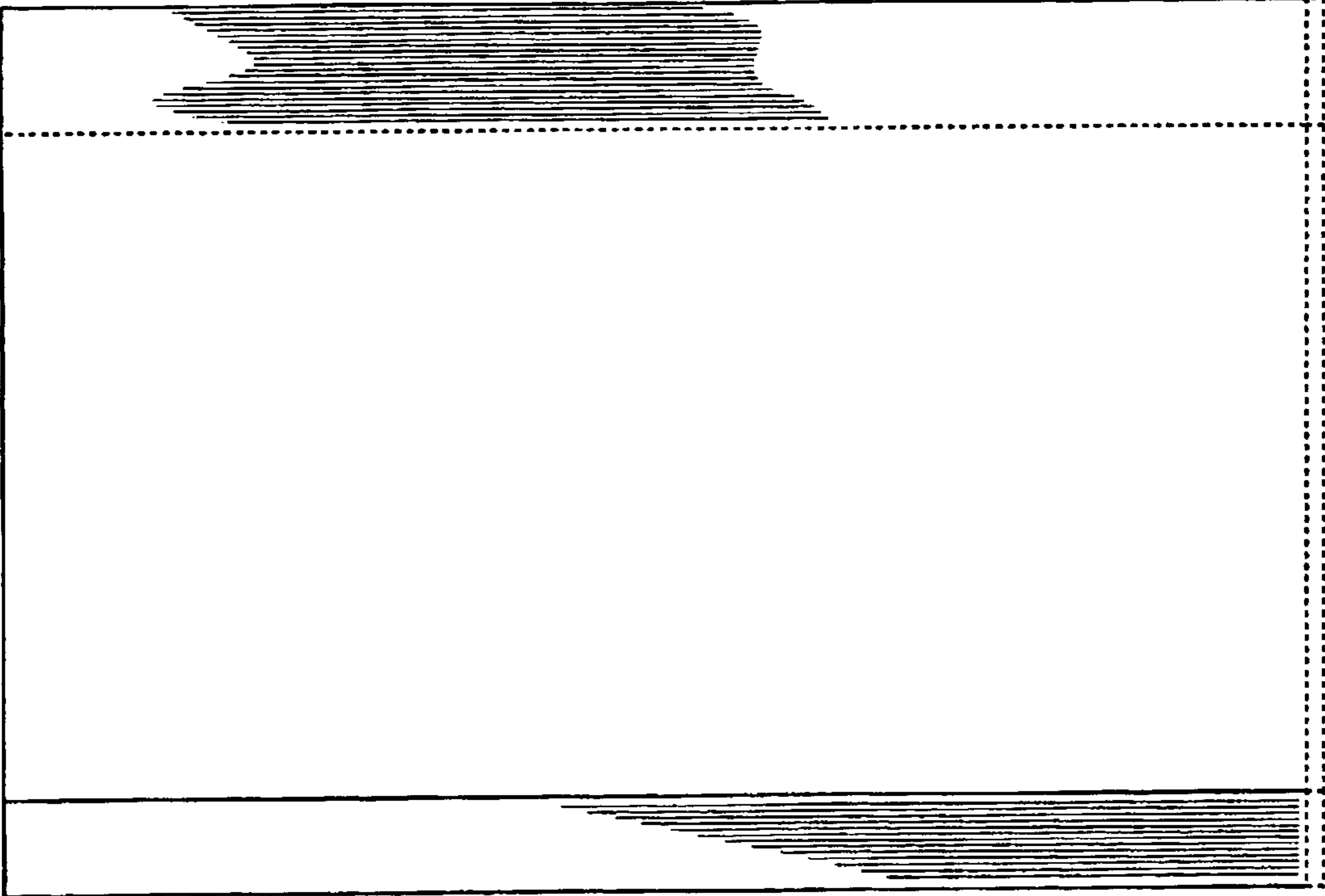


FIGURE 4

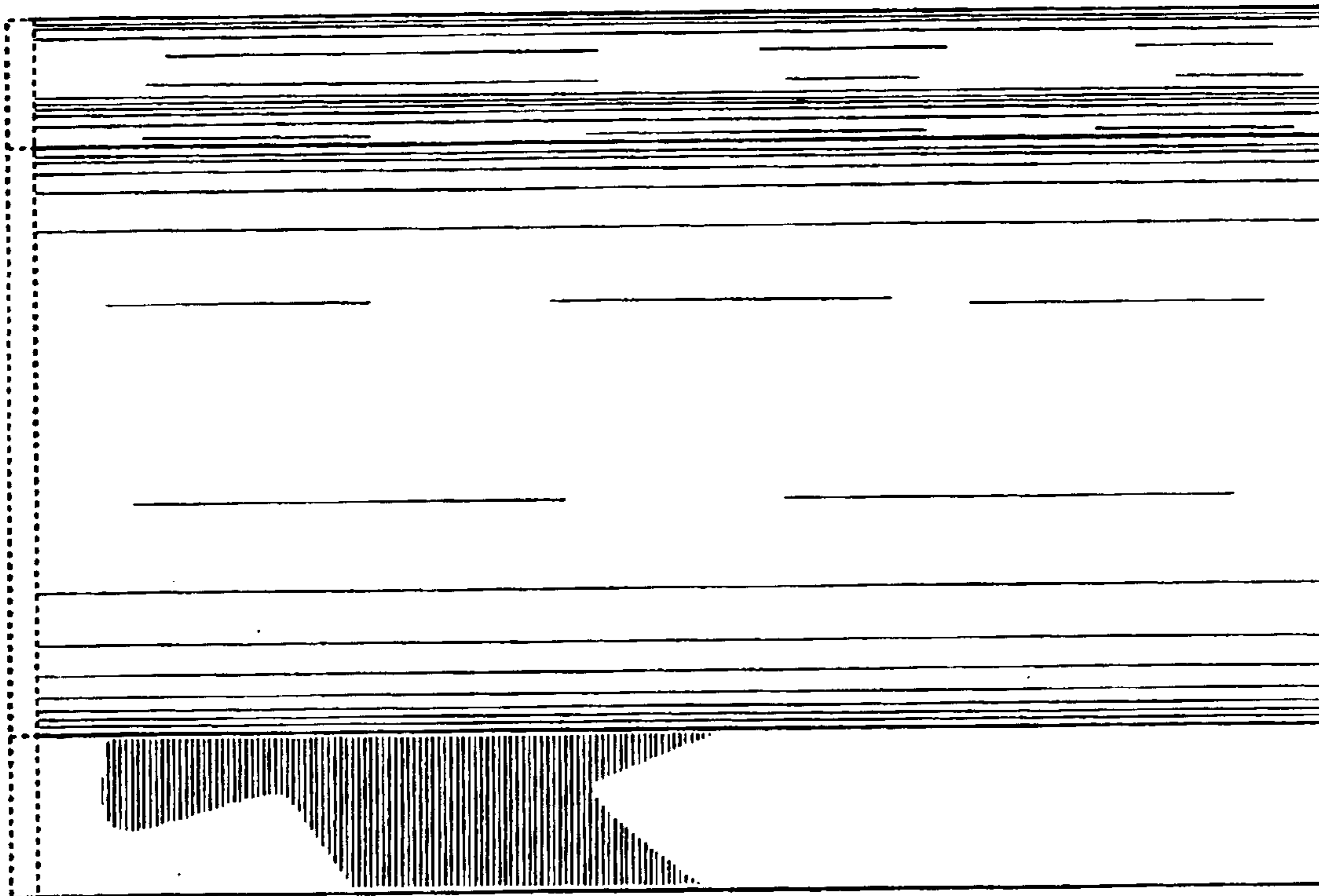


FIGURE 5