

US00D499809S

(12) **United States Design Patent**
Westbrook

(10) **Patent No.:** **US D499,809 S**
(45) **Date of Patent:** **** Dec. 14, 2004**

(54) **WATER BATH TUB**

(75) **Inventor:** **Timothy M. Westbrook, Duluth, GA (US)**

(73) **Assignee:** **MTI Whirlpools, Inc., Sugar Hill, GA (US)**

(**) **Term:** **14 Years**

(21) **Appl. No.:** **29/181,477**

(22) **Filed:** **May 13, 2003**

Related U.S. Application Data

(63) Continuation of application No. 10/407,186, filed on Apr. 7, 2003.

(51) **LOC (7) Cl.** **24-04**

(52) **U.S. Cl.** **D24/204; D23/304**

(58) **Field of Search** **D24/204, 205; D23/304, 280.1, 277; 4/541.1, 538, 584, 541.3, 541.4, 507**

(56) **References Cited**

U.S. PATENT DOCUMENTS

- D319,094 S * 8/1991 Richmond D23/280.1
- D426,310 S * 6/2000 Magray et al. D24/204
- D435,297 S * 12/2000 Magray et al. D24/204
- D449,382 S * 10/2001 Collins et al. D24/204
- 6,360,380 B1 * 3/2002 Swart et al. 4/541.1
- 2003/0154544 A1 * 8/2003 Toye et al. 4/541.1

* cited by examiner

Primary Examiner—Ian Simmons

(57) **CLAIM**

The ornamental design for a water bath tub, as shown and described.

DESCRIPTION

FIG. 1 illustrates a perspective view of a water bath tub with the ornamental features thereof shown in solid-line illustration;

FIG. 2 illustrates a perspective view of a water bath tub with the ornamental features thereof shown in solid-line illustration and taken from a perspective different from that of FIG. 1;

FIG. 3 is a cross-sectional view of one of the ornamental features of the water bath tub of FIG. 1 taken along line 3—3 of FIG. 2;

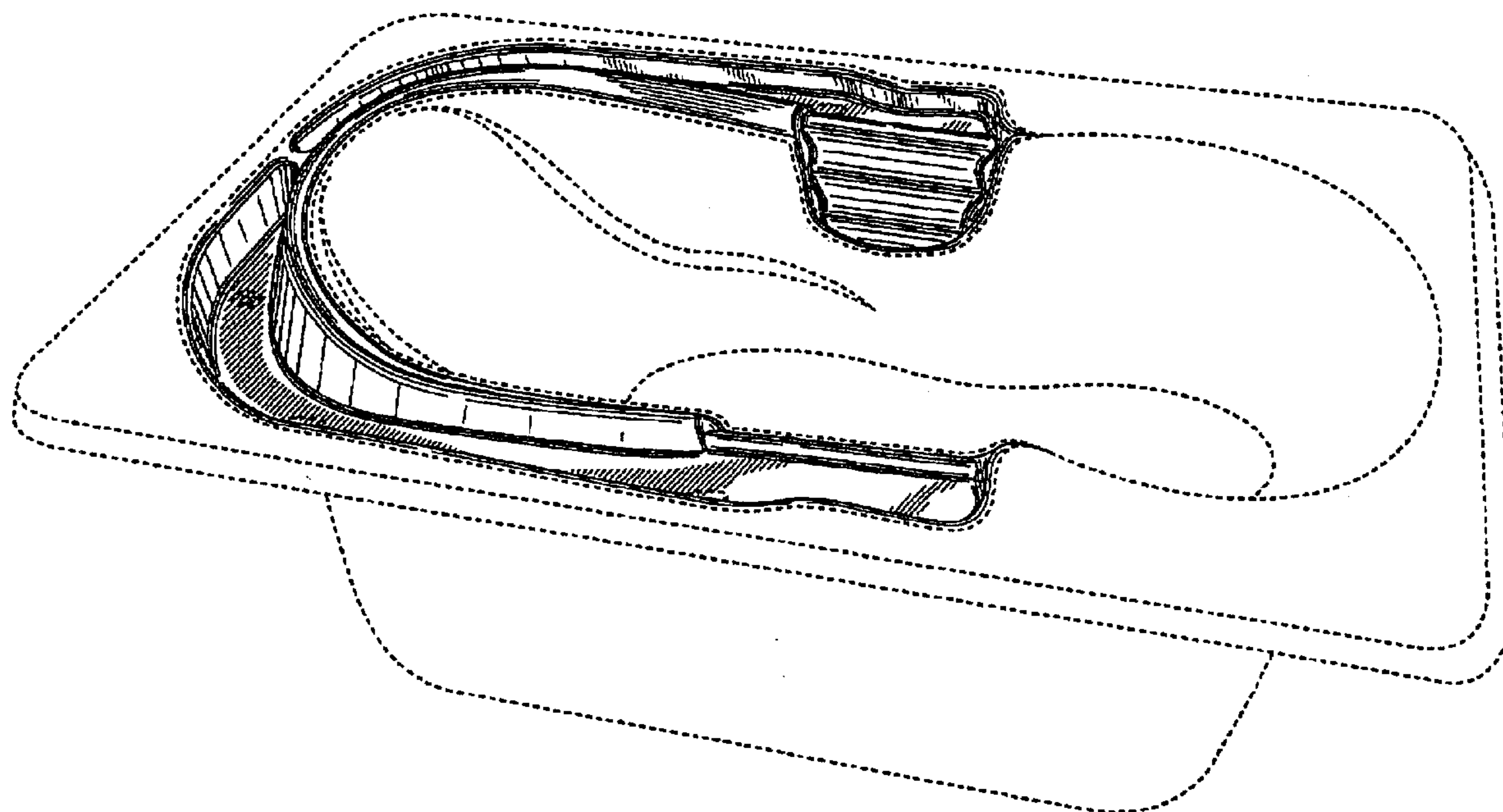
FIG. 4 is a perspective view of the water bath tub with the ornamental features thereof shown in solid-line illustration taken from a perspective different from FIGS. 1 and 2;

FIG. 5 is a side elevational view of the water bath tub with the ornamental features thereof shown in solid-line illustration of FIG. 1; and,

FIG. 6 is an end view of the water bath tub with the ornamental features thereof shown in solid-line illustration FIG. 1.

The broken line showing is for illustrative purposes only and forms no part of the claimed design.

1 Claim, 4 Drawing Sheets



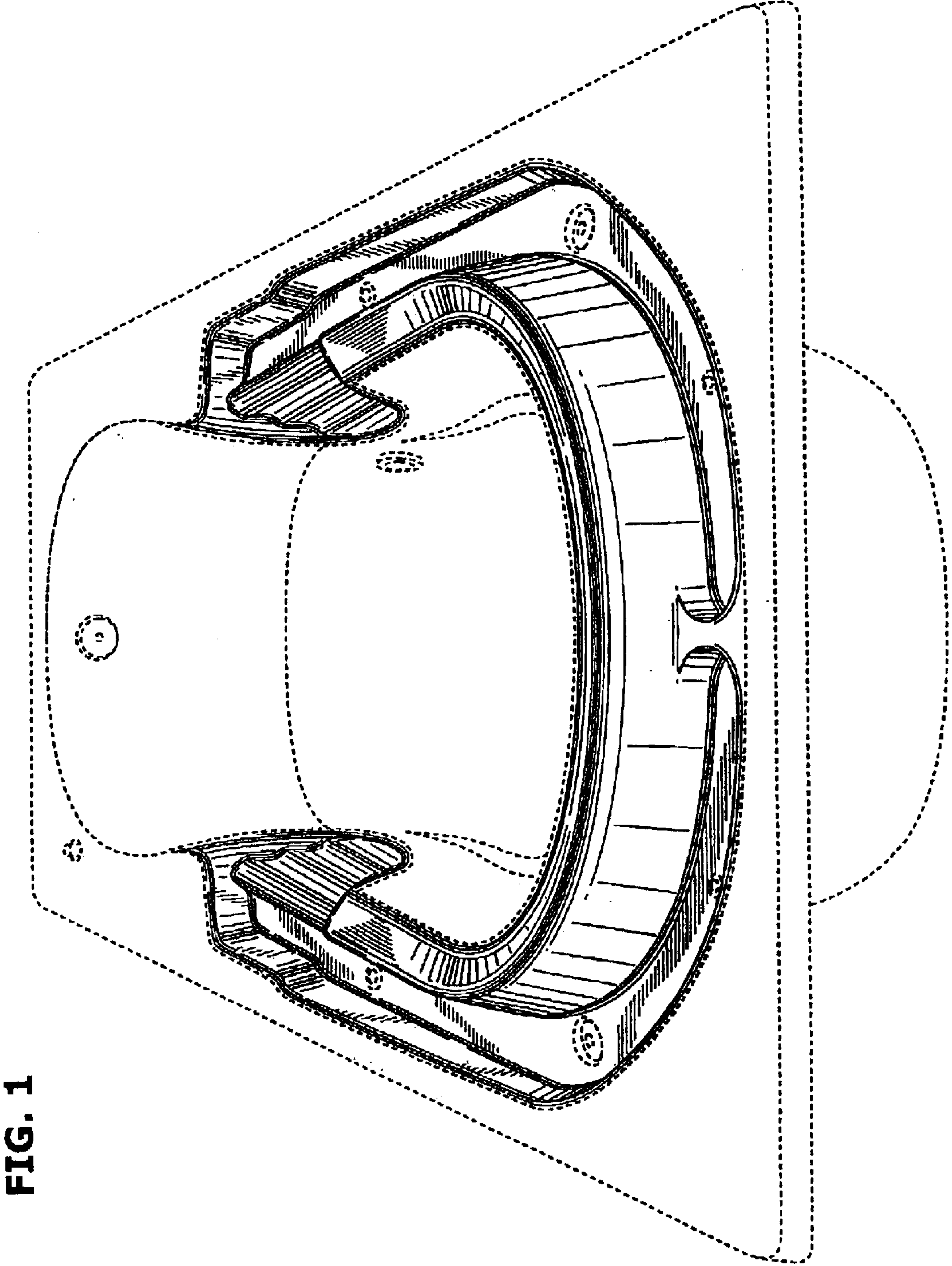


FIG. 1

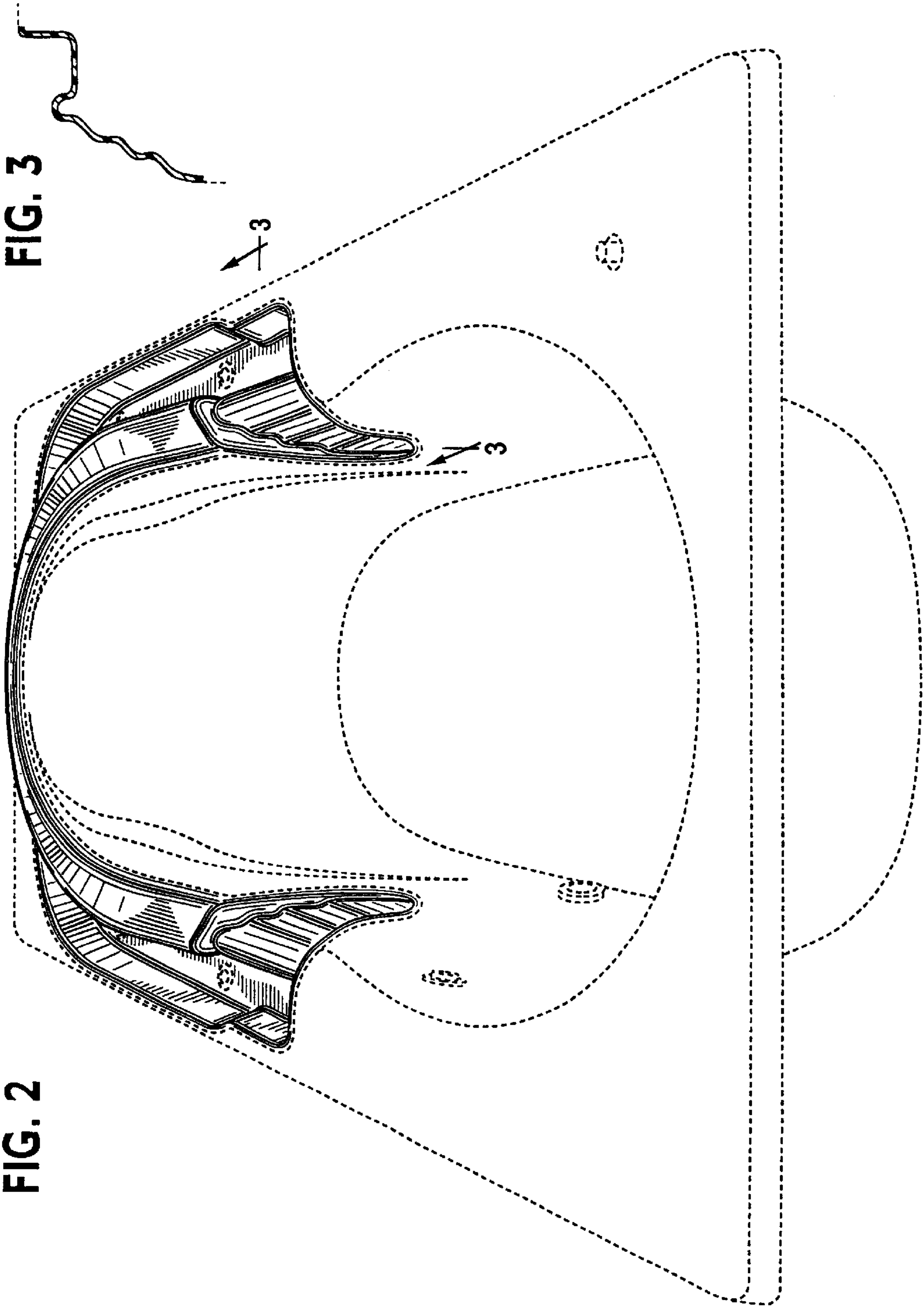


FIG. 4

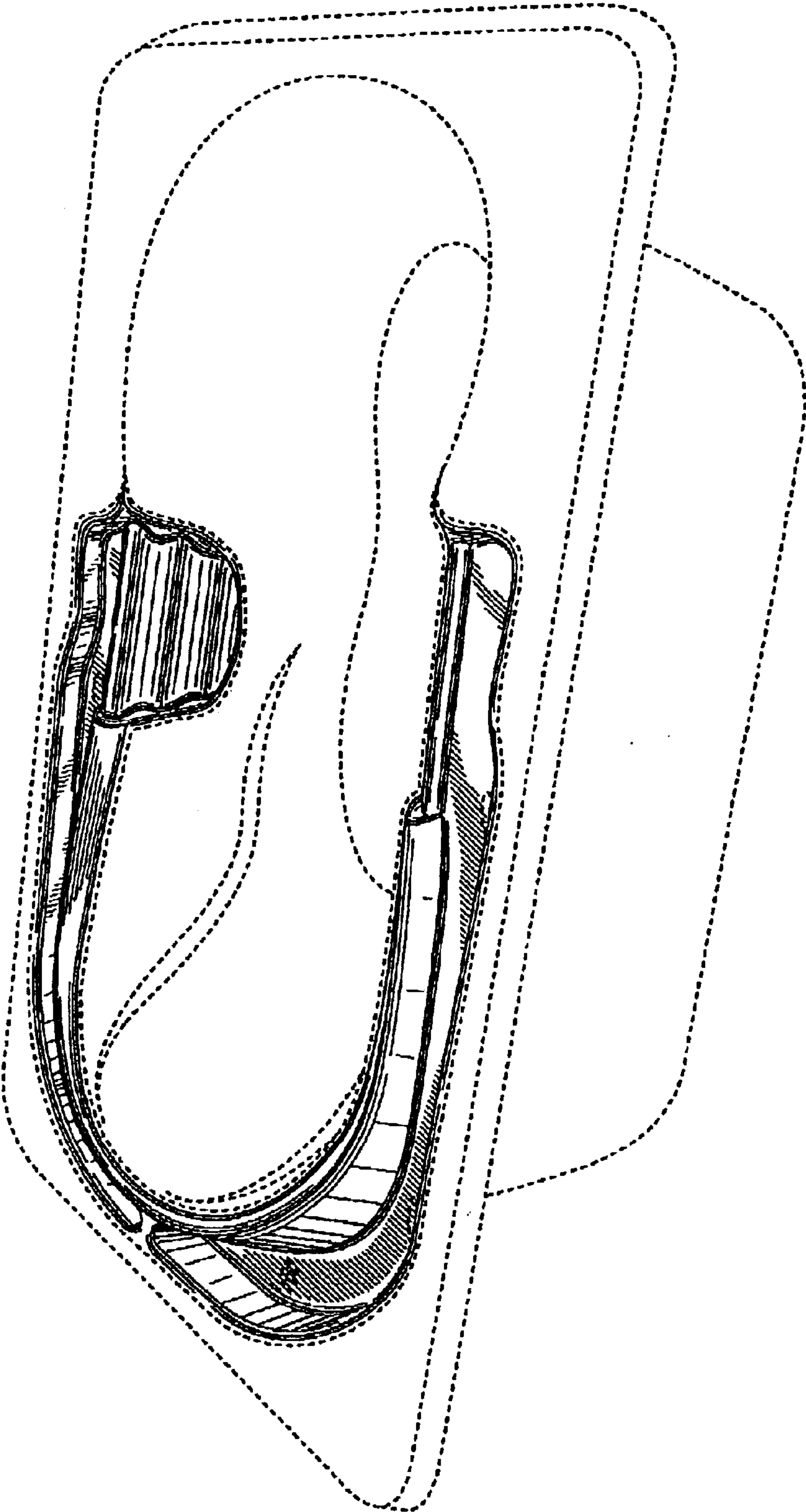


FIG. 5

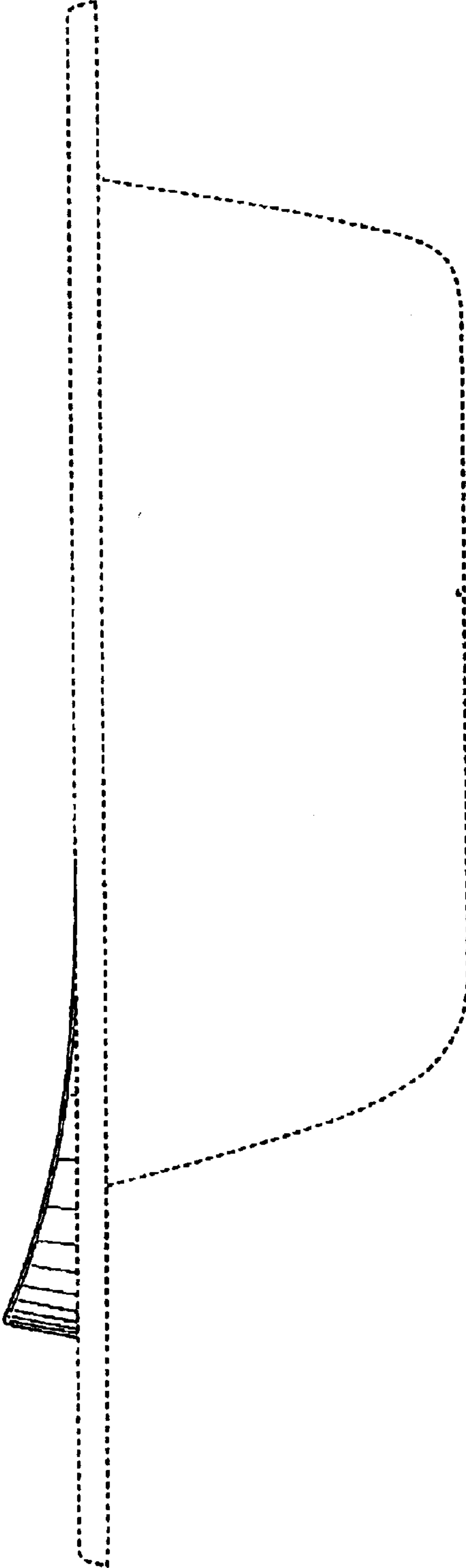


FIG. 6

