



US00D499802S

(12) **United States Design Patent**  
**Pinon et al.**

(10) **Patent No.: US D499,802 S**  
(45) **Date of Patent: \*\* Dec. 14, 2004**

(54) **POWDER INHALER**

(75) Inventors: **John Pinon**, Domèvre sur Avière (FR); **Sameer Shirgaonkar**, London (GB); **Christopher James Smith**, Swaffham Prior (GB); **Simon Burge**, Haverhill (GB); **Max William Middleton**, Cambridge (GB); **David Ahern**, Waterbeach (GB); **Matthew Neil Sarkar**, Cambridge (GB); **Ben Arlett**, Cambridge (GB); **Emma Lesley Lye**, Cambridge (GB); **Simon Smith**, Hefthford (GB)

(73) Assignee: **Chiesi Farmaceutici S.p.A.** (IT)

(\*\*) Term: **14 Years**

(21) Appl. No.: **29/178,877**

(22) Filed: **Apr. 1, 2003**

(51) **LOC (7) Cl.** ..... **29-02**

(52) **U.S. Cl.** ..... **D24/110**

(58) **Field of Search** ..... D24/110; 128/203.12, 128/203.15, 200.23, 200.14, 200.21

(56) **References Cited**

**U.S. PATENT DOCUMENTS**

D276,847 S	*	12/1984	Nyman et al.	.....	D24/110
D355,029 S	*	1/1995	Kinneir et al.	.....	D24/110
D452,910 S	*	1/2002	Braithwaite et al.	.....	D24/110
2002/0170560 A1	*	11/2002	Young et al.	.....	128/203.15
2003/0172927 A1	*	9/2003	Young et al.	.....	128/203.15

**FOREIGN PATENT DOCUMENTS**

EP	0 634 184 A1	1/1995
EP	0 617 629 B1	4/1996
EP	0 472 598 B1	7/1996
EP	0 661 070 B1	5/1999

\* cited by examiner

*Primary Examiner*—Ian Simmons

(74) *Attorney, Agent, or Firm*—Holme Roberts & Owen LLP

(57) **CLAIM**

The ornamental design for a powder inhaler, as shown and described.

**DESCRIPTION**

FIG. 1 is a side perspective view of a powder inhaler showing our new design, with the cover shown in closed position;

FIG. 2 is a side perspective view of the powder inhaler shown in FIG. 1 with the cover being disposed in an open position;

FIG. 3 is an elevated right side view of the powder inhaler shown in FIG. 1;

FIG. 4 is an elevated back side view of the powder inhaler shown in FIG. 1;

FIG. 5 is an elevated left side view of the powder inhaler shown in FIG. 2;

FIG. 6 is a top perspective view of the powder inhaler shown in FIG. 2;

FIG. 7 is a top perspective view of a second embodiment of the powder inhaler shown in FIG. 1, the only difference being that the cover has a violet color, it being understood that all other surfaces are the same as those of the first embodiment;

FIG. 8 is a side perspective view of the powder inhaler shown in FIG. 7 with the cover being disposed in an open position;

FIG. 9 is an elevated right side view of the powder inhaler shown in FIG. 7;

FIG. 10 is an elevated back side view of the powder inhaler shown in FIG. 7;

FIG. 11 is an elevated left side view of the powder inhaler shown in FIG. 8;

FIG. 12 is a top perspective view of the powder inhaler shown in FIG. 8;

FIG. 13 is a top perspective view of a third embodiment of the powder inhaler shown in FIG. 1, the only difference being that the cover has an orange color, it being understood that all other surfaces are the same as those of the first embodiment;

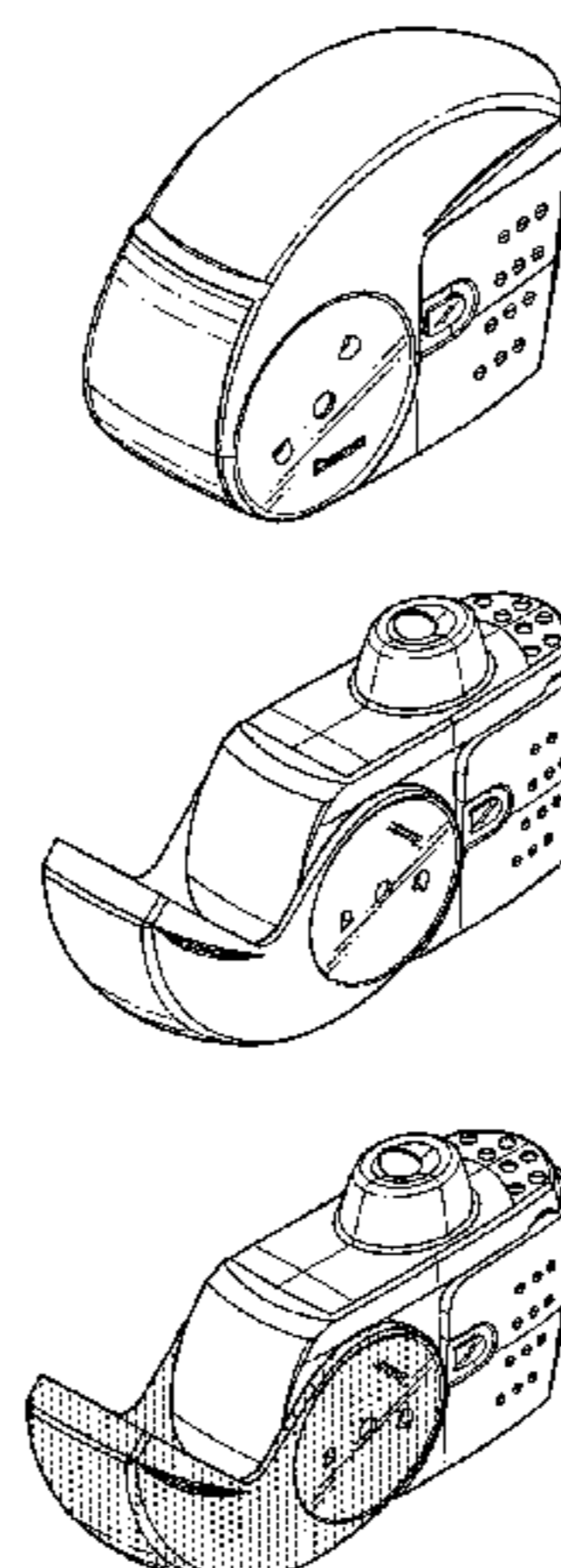


FIG. 14 is a side perspective view of the powder inhaler shown in FIG. 13 with the cover being disposed in an open position;

FIG. 15 is an elevated right side view of the powder inhaler shown in FIG. 13;

FIG. 16 is an elevated back side view of the powder inhaler shown in FIG. 13;

FIG. 17 is an elevated left side view of the powder inhaler shown in FIG. 14;

FIG. 18 is a top perspective view of the powder inhaler shown in FIG. 14;

FIG. 19 is a top perspective view of a fourth embodiment of the powder inhaler shown in FIG. 1, the only difference being that the cover has a green color, it being understood that all other surfaces are the same as those of the first embodiment;

FIG. 20 is a side perspective view of the powder inhaler shown in FIG. 19 with the cover being disposed in an open position;

FIG. 21 is an elevated right side view of the powder inhaler shown in FIG. 19;

FIG. 22 is an elevated back side view of the powder inhaler shown in FIG. 19;

FIG. 23 is an elevated left side view of the powder inhaler shown in FIG. 20;

FIG. 24 is a top perspective view of the powder inhaler shown in FIG. 20;

FIG. 25 is a top perspective view of a fifth embodiment of the powder inhaler shown in FIG. 1, the only difference being that the cover has a burgundy color, it being understood that all other surfaces are the same as those of the first embodiment;

FIG. 26 is a side perspective view of the powder inhaler shown in FIG. 25 with the cover being disposed in an open position;

FIG. 27 is an elevated right side view of the powder inhaler shown in FIG. 25;

FIG. 28 is an elevated back side view of the powder inhaler shown in FIG. 25;

FIG. 29 is an elevated left side view of the powder inhaler shown in FIG. 26;

FIG. 30 is a top perspective view of the powder inhaler shown in FIG. 26;

FIG. 31 is a top perspective view of a sixth embodiment of the powder inhaler shown in FIG. 1, the only difference being that the cover has a blue color, it being understood that all other surfaces are the same as those of the first embodiment;

FIG. 32 is a side perspective view of the powder inhaler shown in FIG. 31 with the cover being disposed in an open position;

FIG. 33 is an elevated right side view of the powder inhaler shown in FIG. 31;

FIG. 34 is an elevated back side view of the powder inhaler shown in FIG. 31;

FIG. 35 is an elevated left side view of the powder inhaler shown in FIG. 32; and,

FIG. 36 is a top perspective view of the powder inhaler shown in FIG. 32.

**1 Claim, 6 Drawing Sheets**

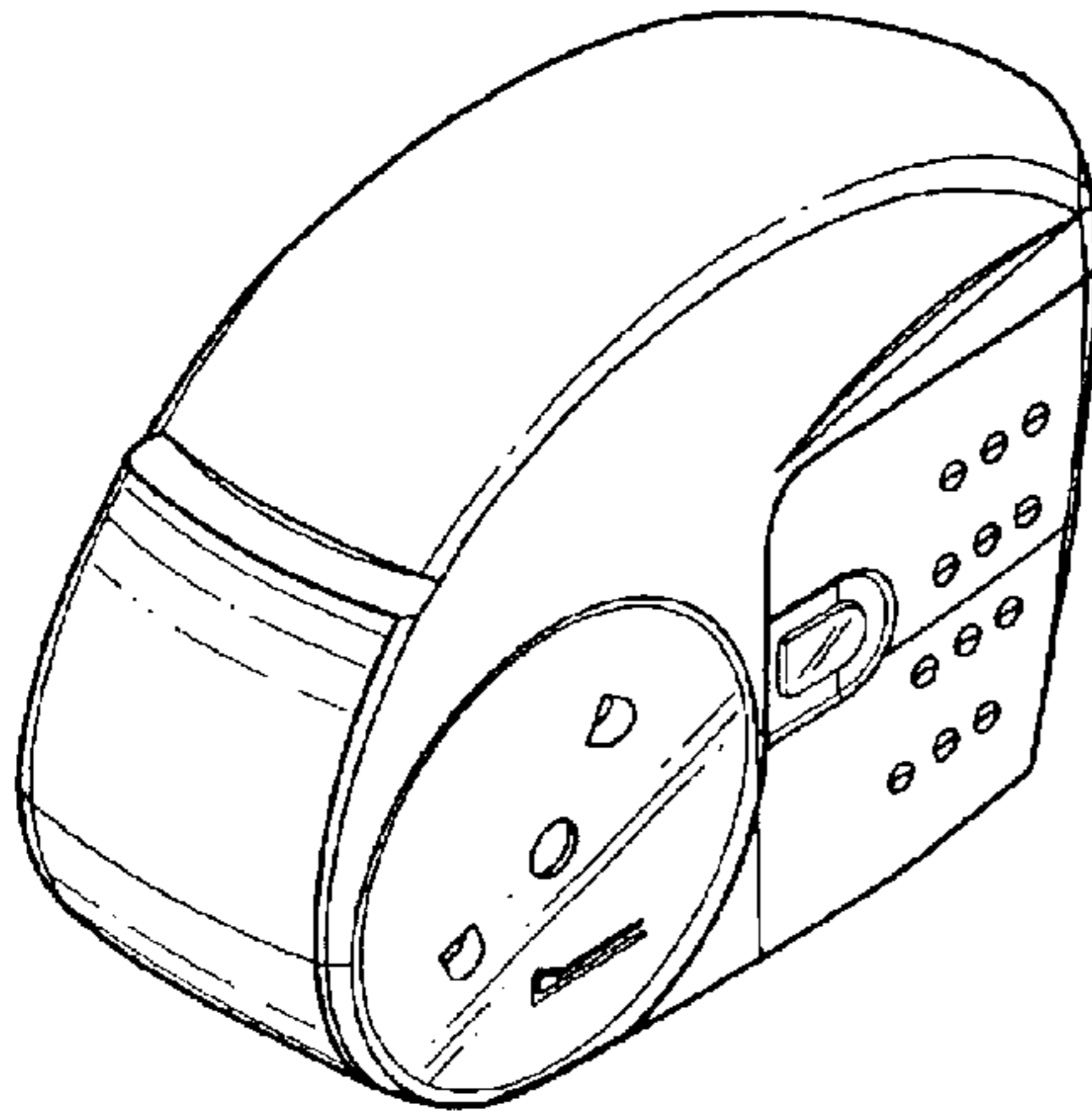


Fig. 1

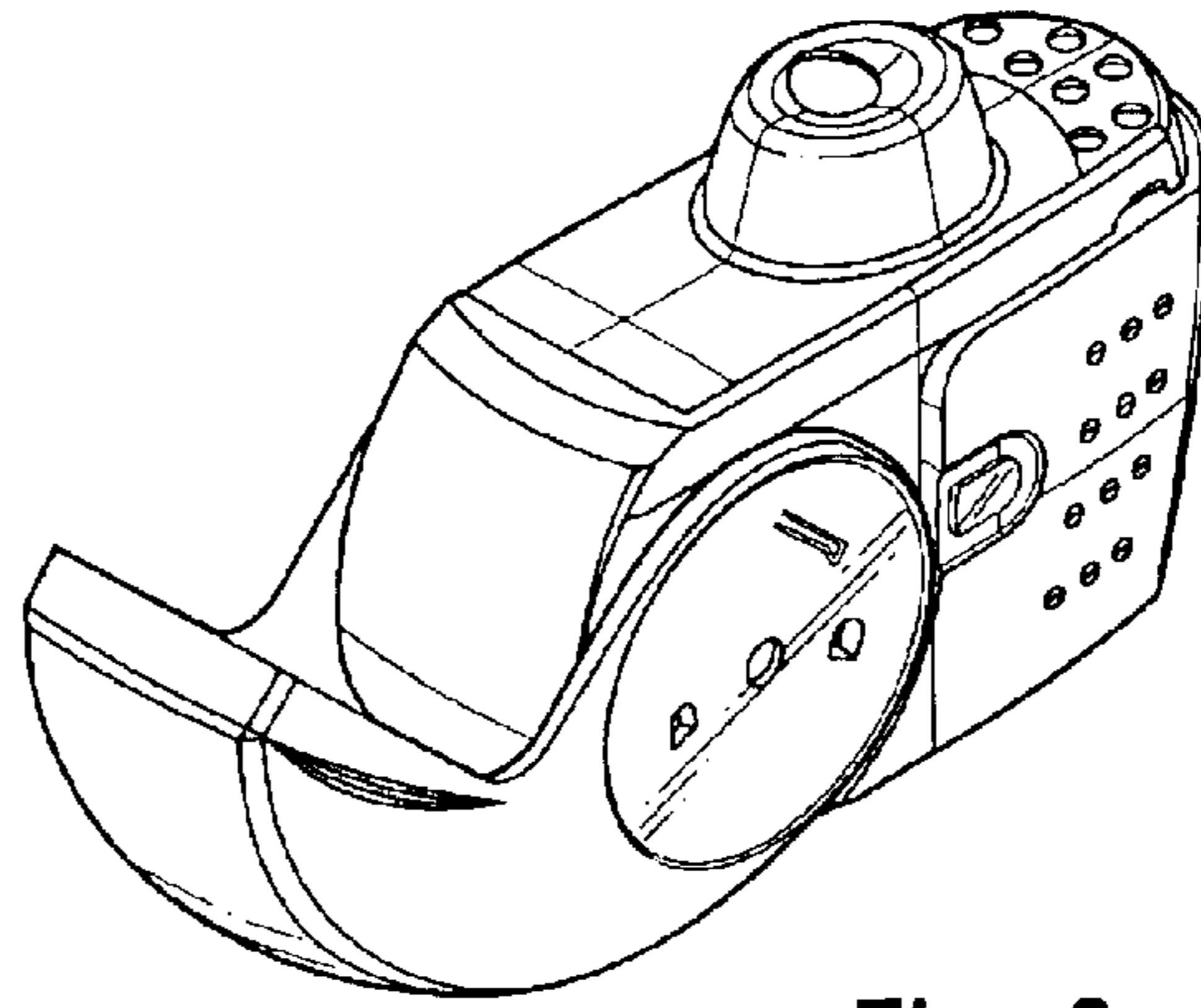


Fig. 2

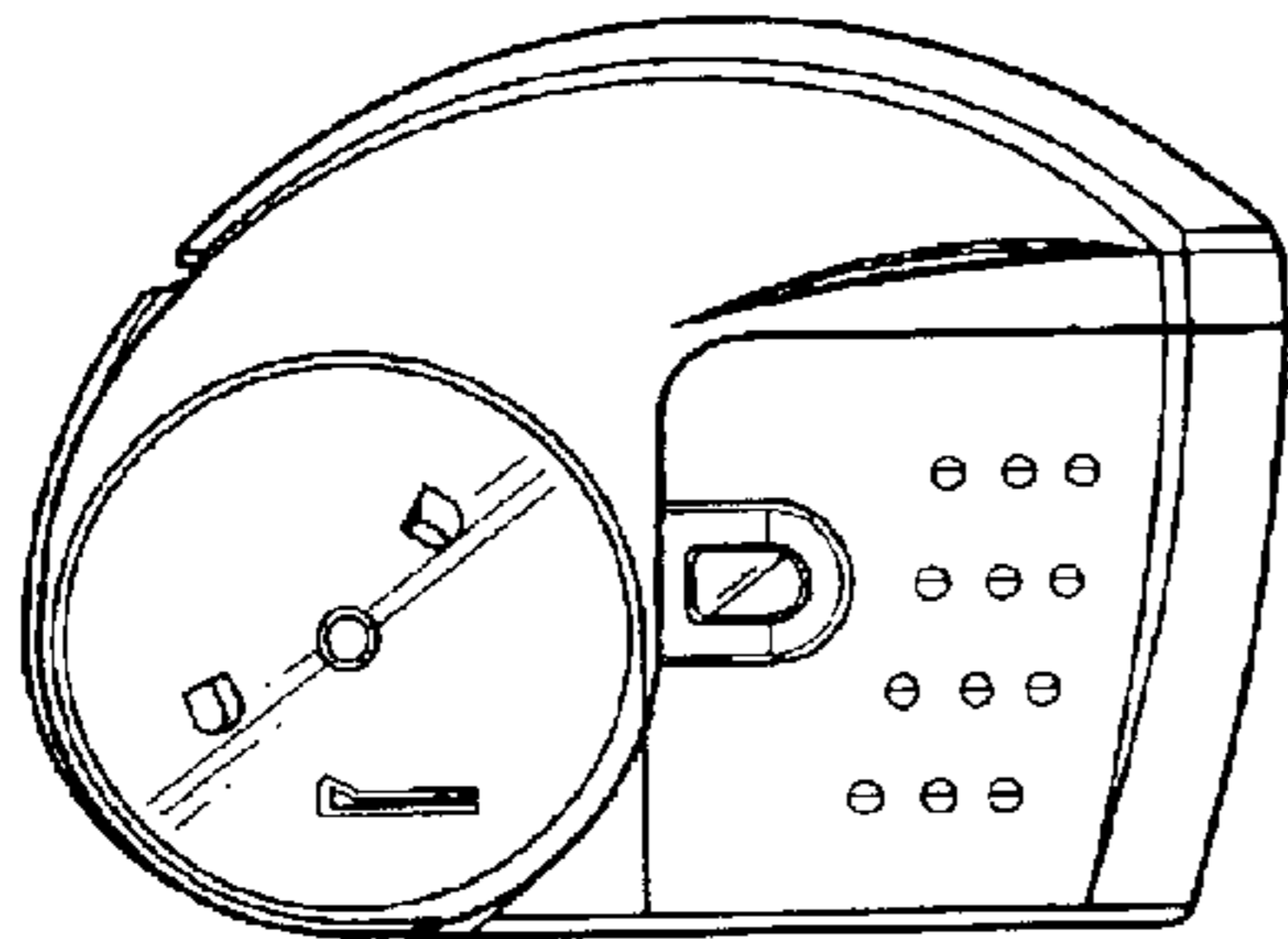


Fig. 3

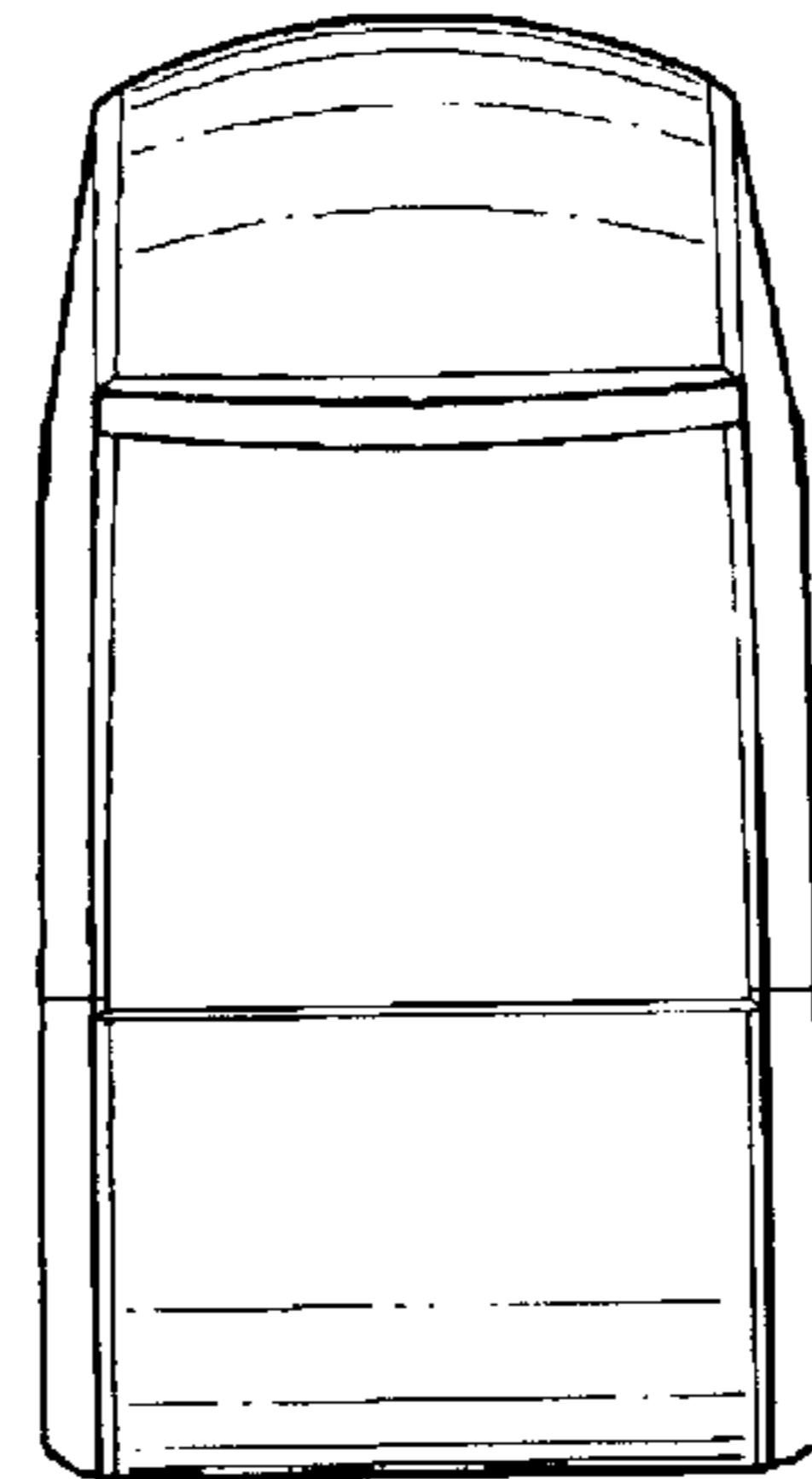


Fig. 4

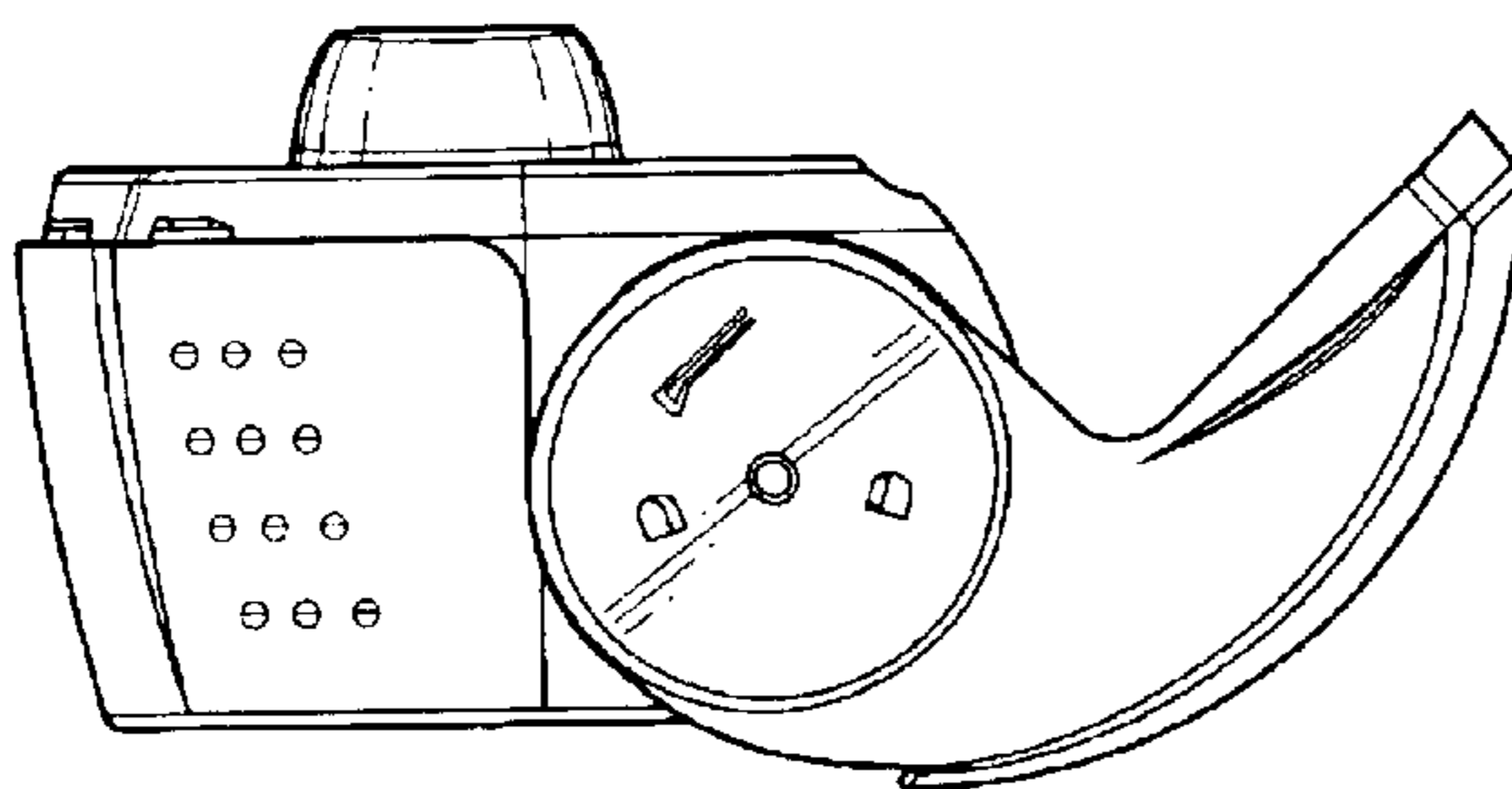


Fig. 5

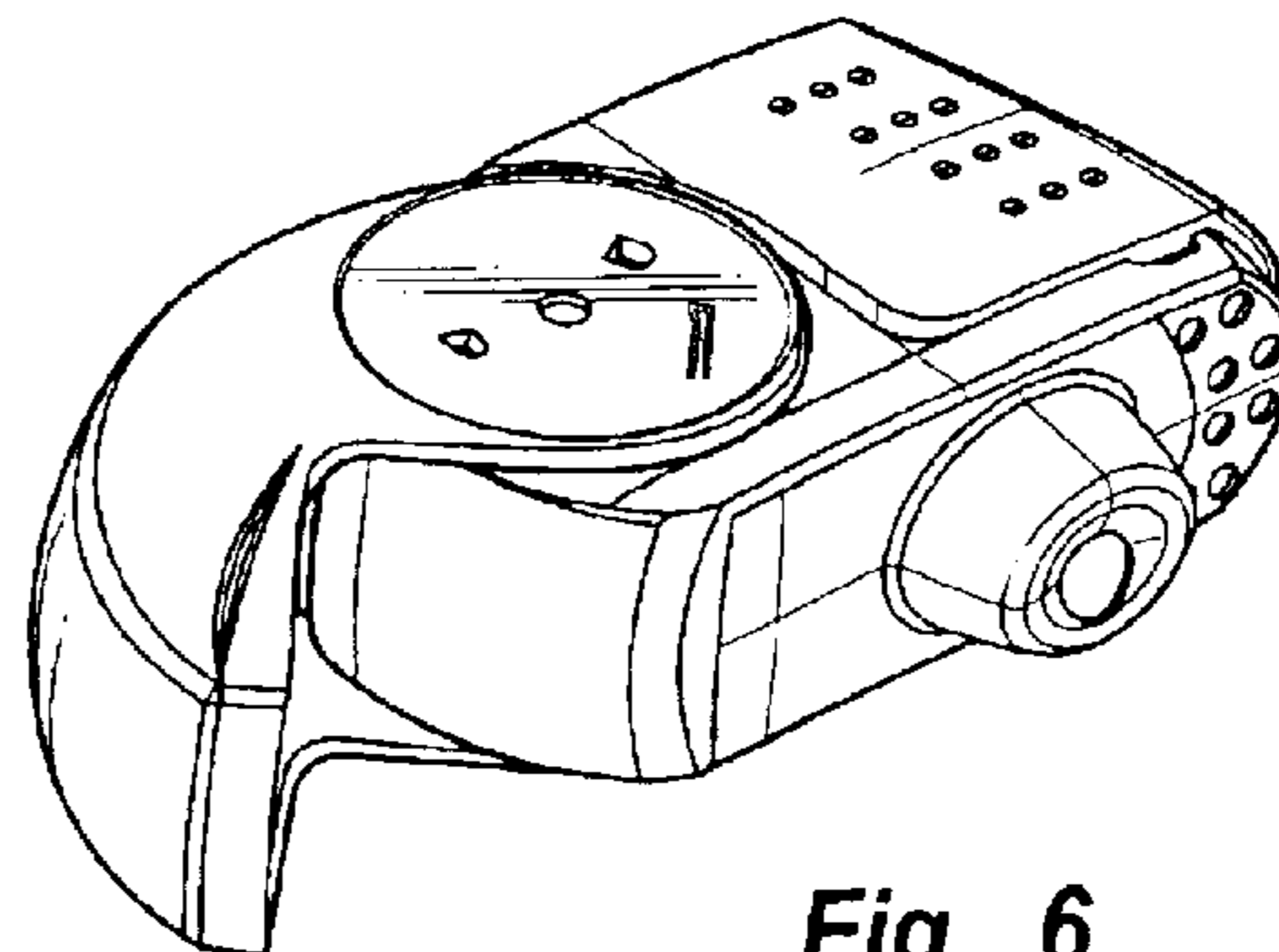


Fig. 6

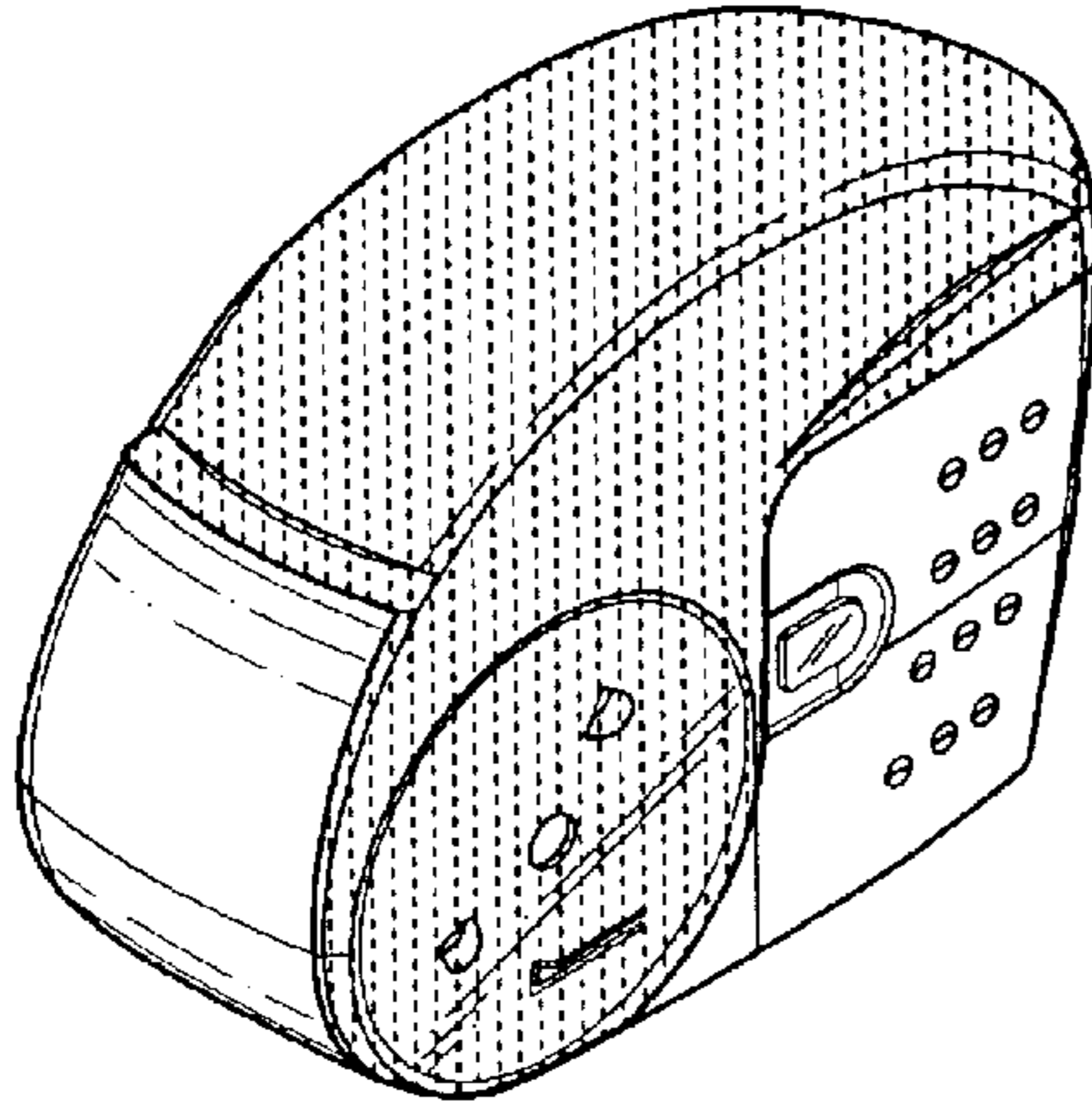


Fig. 7

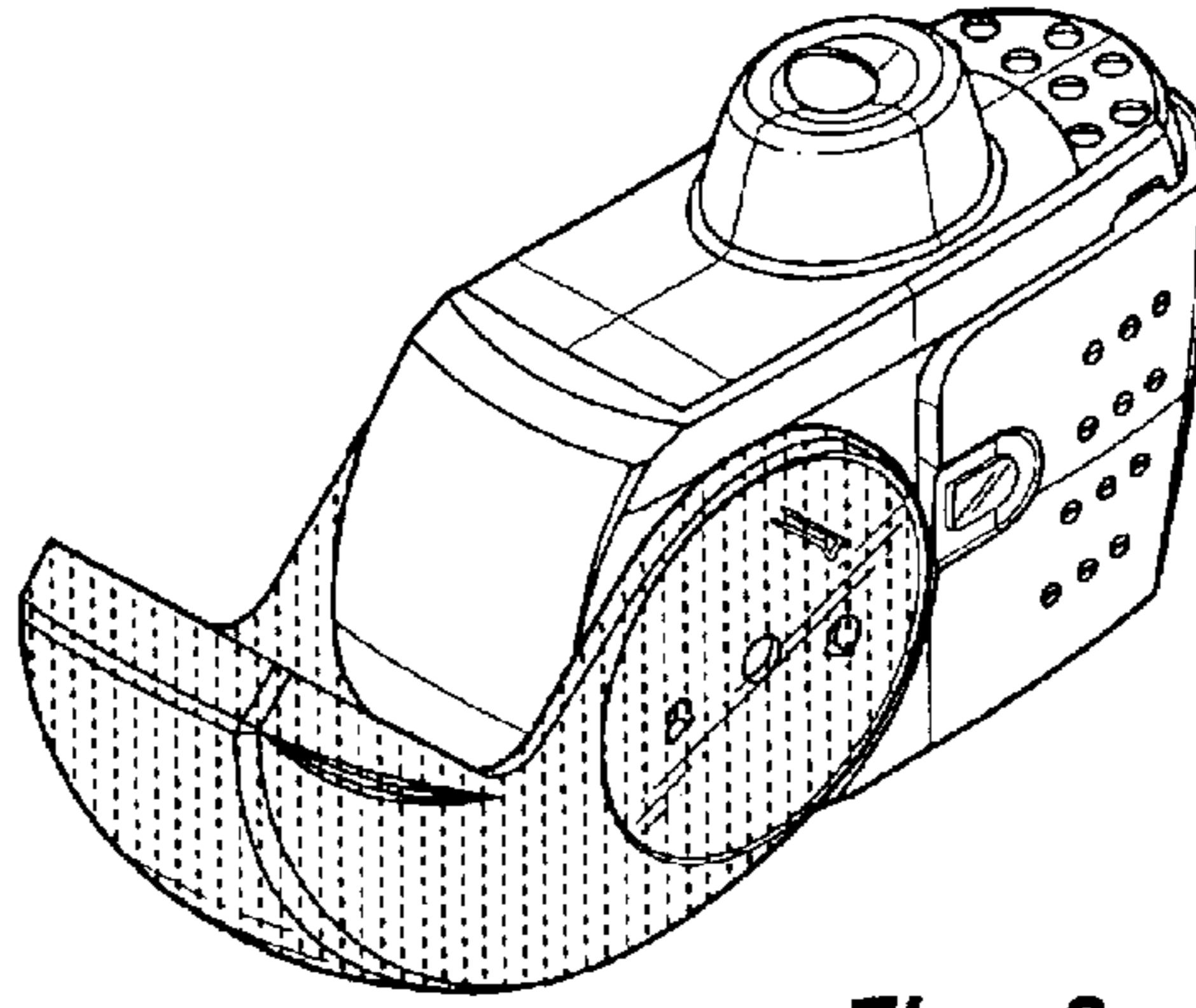


Fig. 8

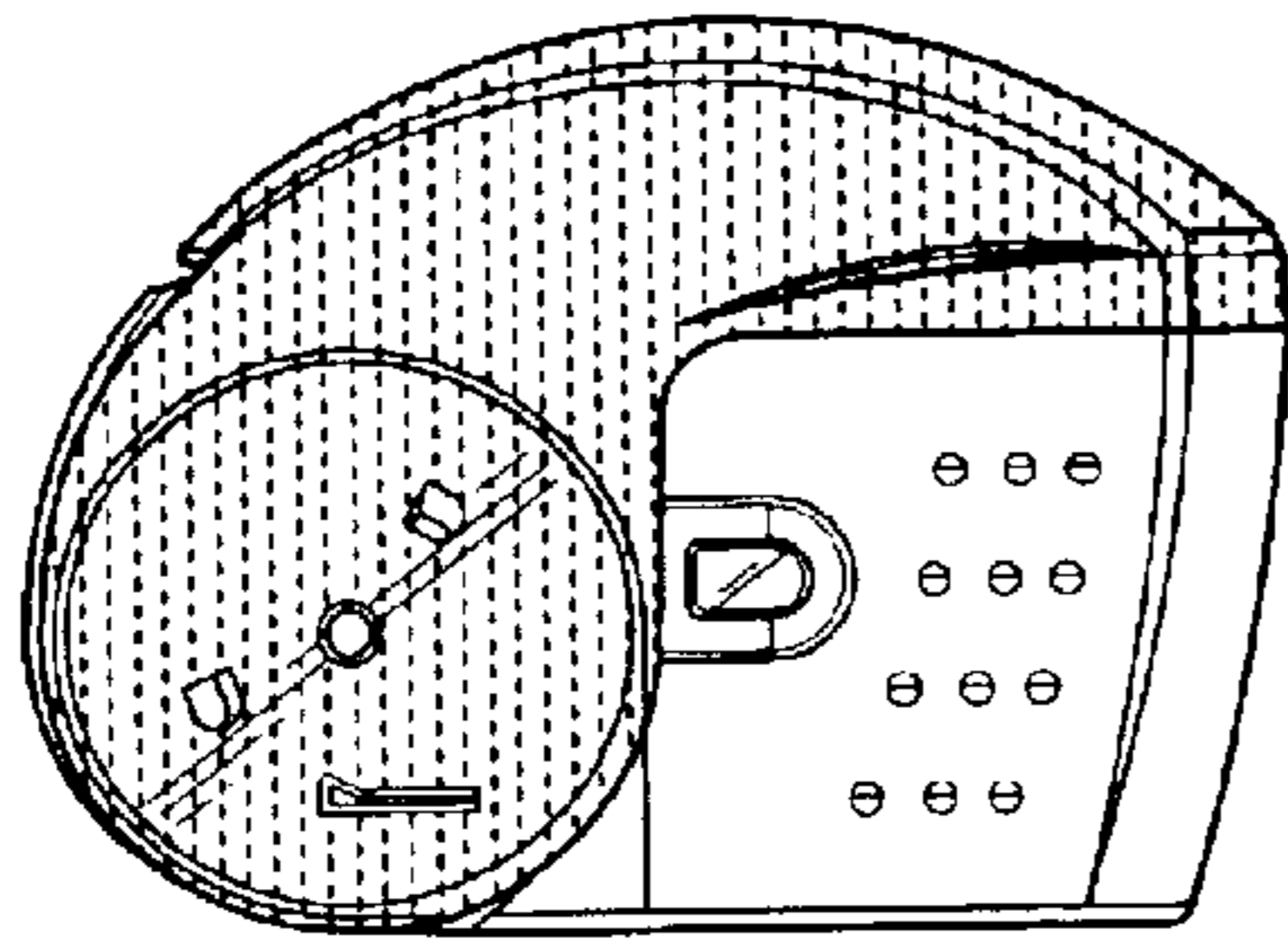


Fig. 9

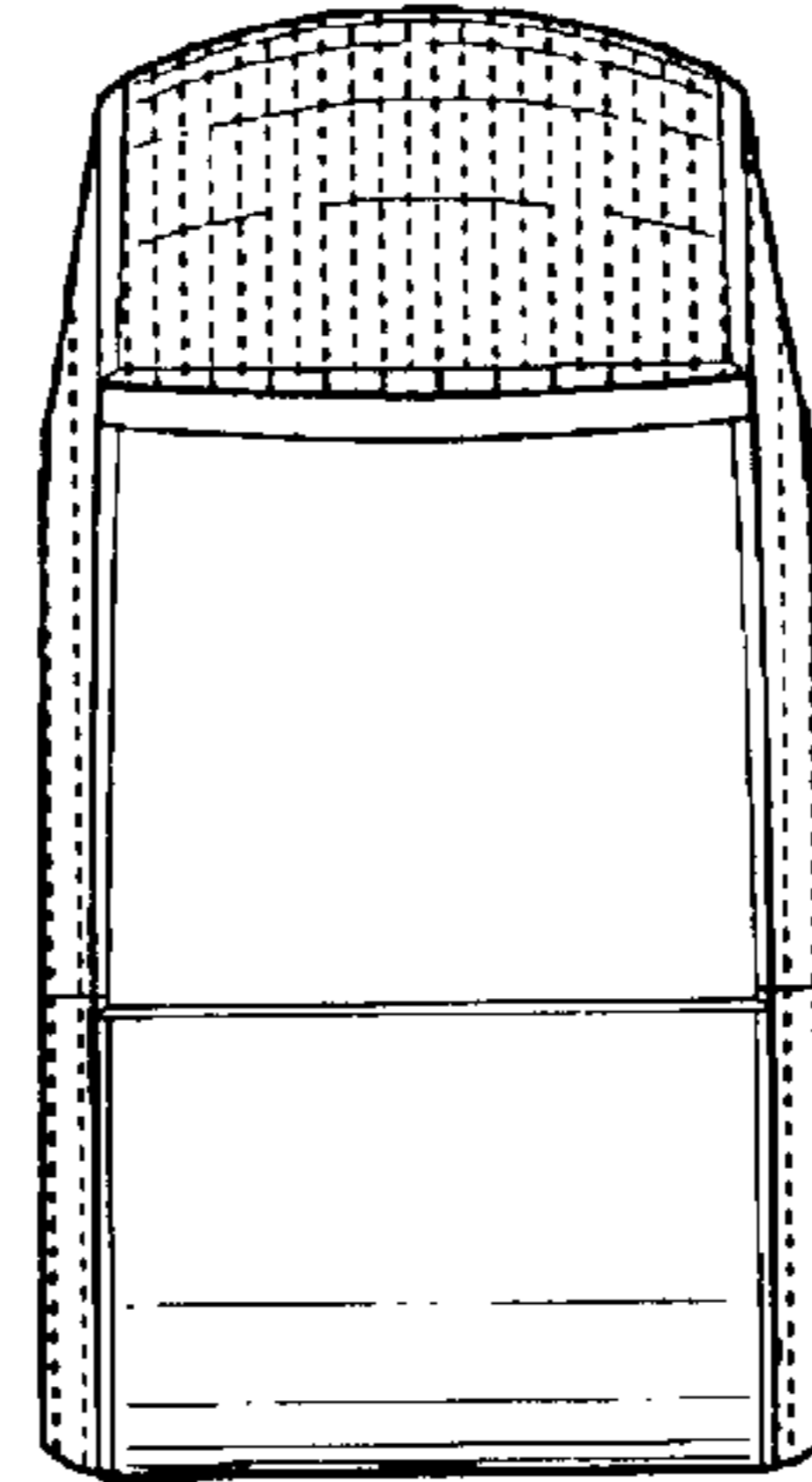


Fig. 10

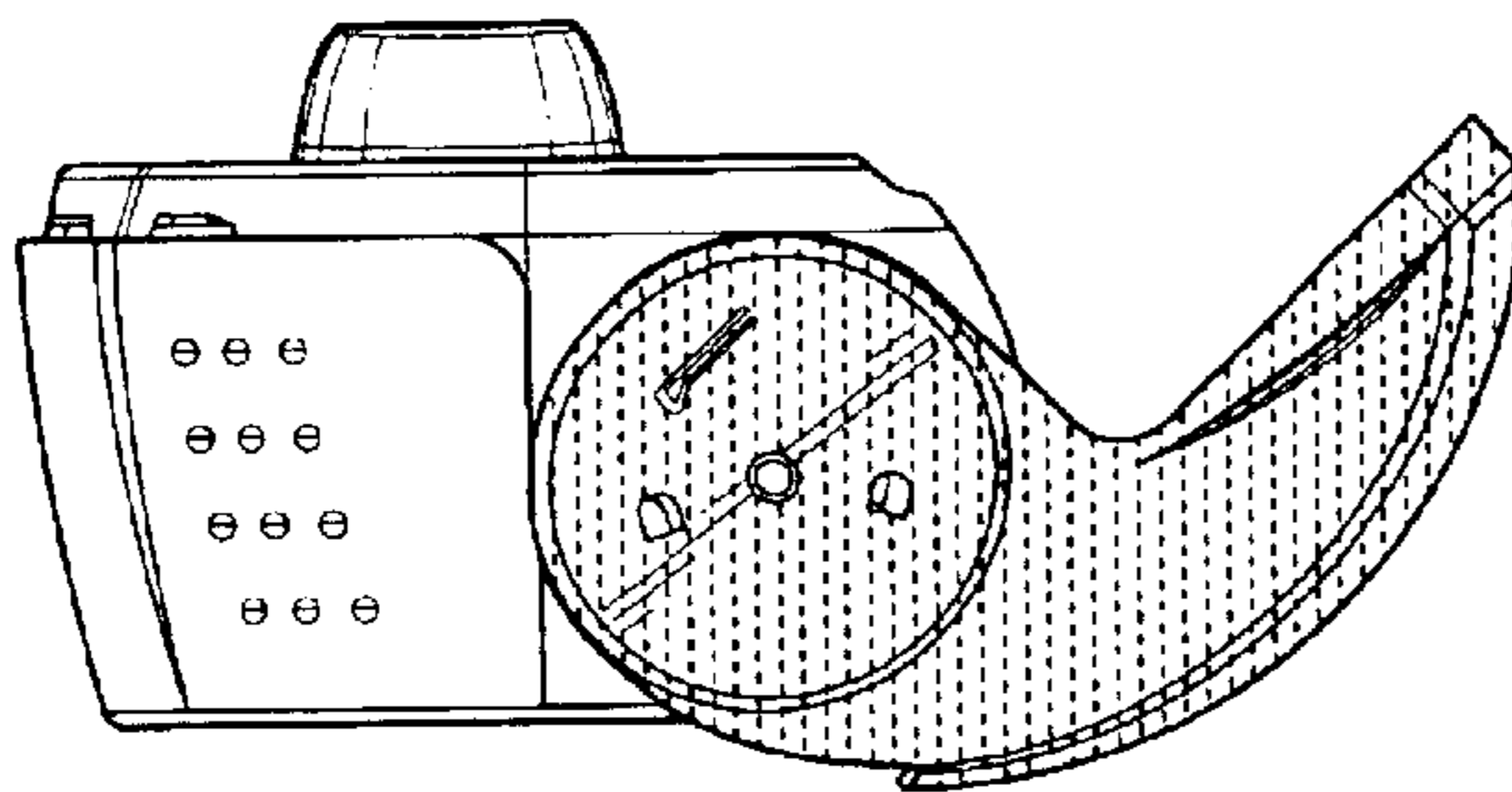


Fig. 11

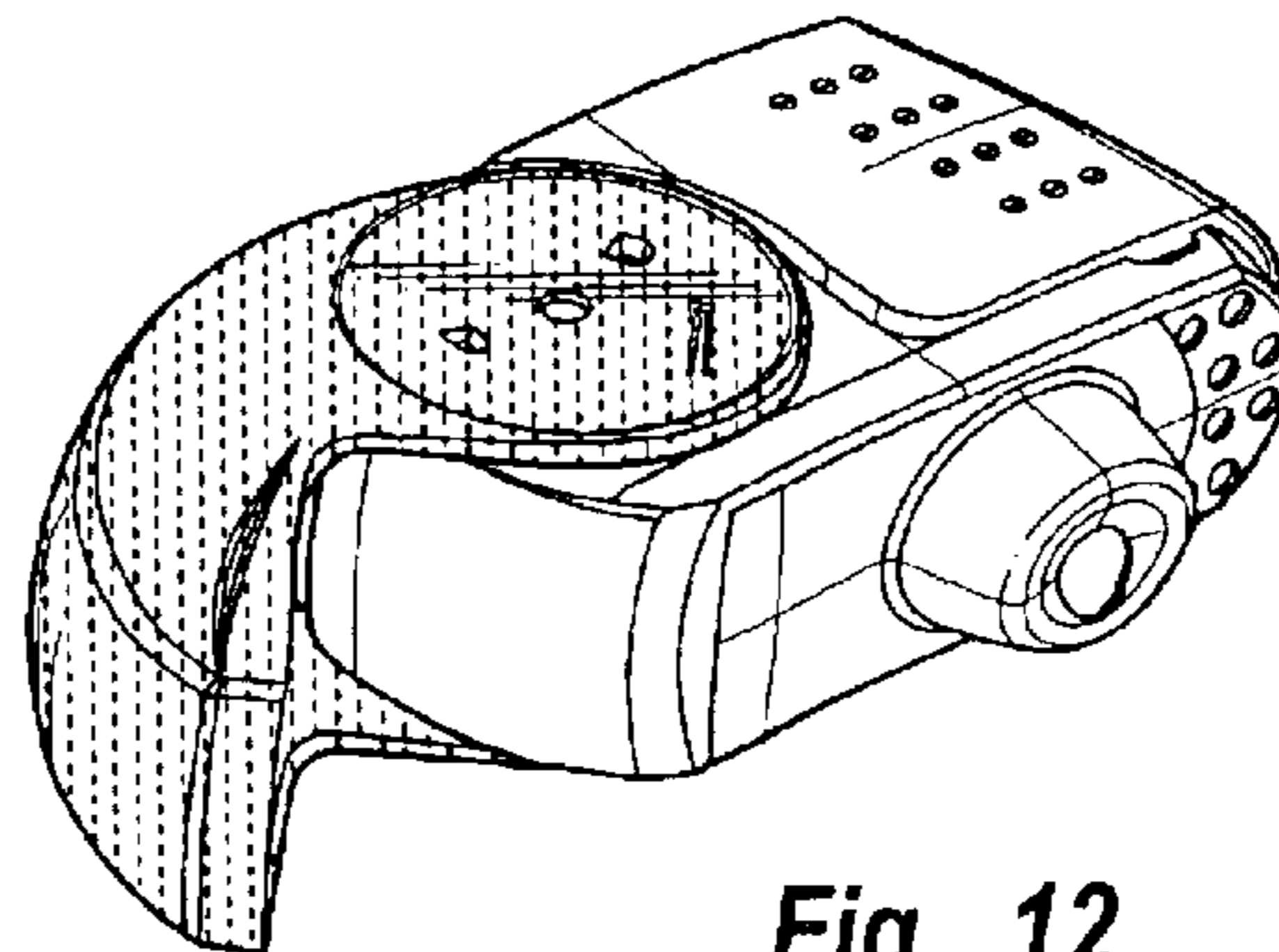
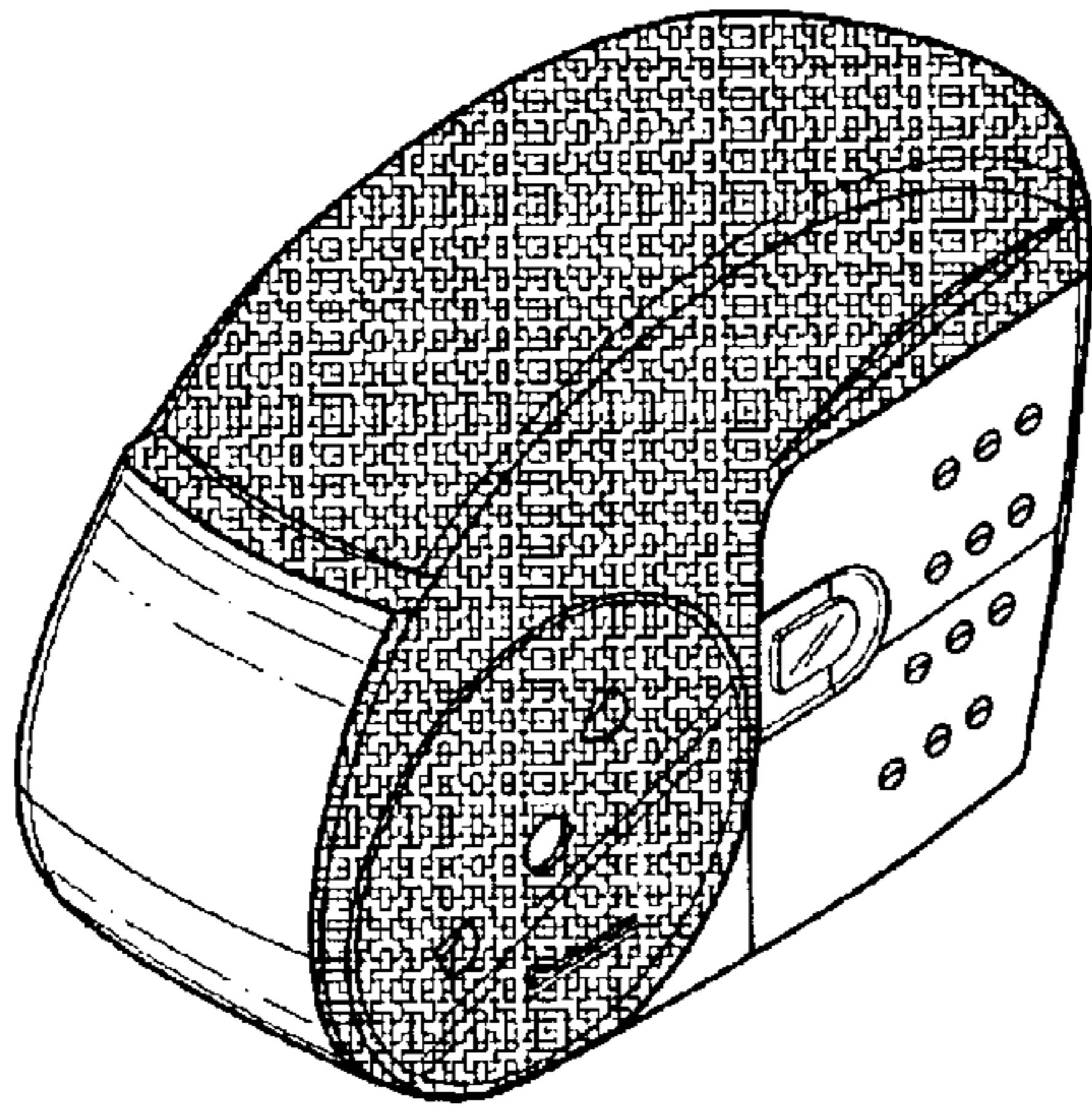
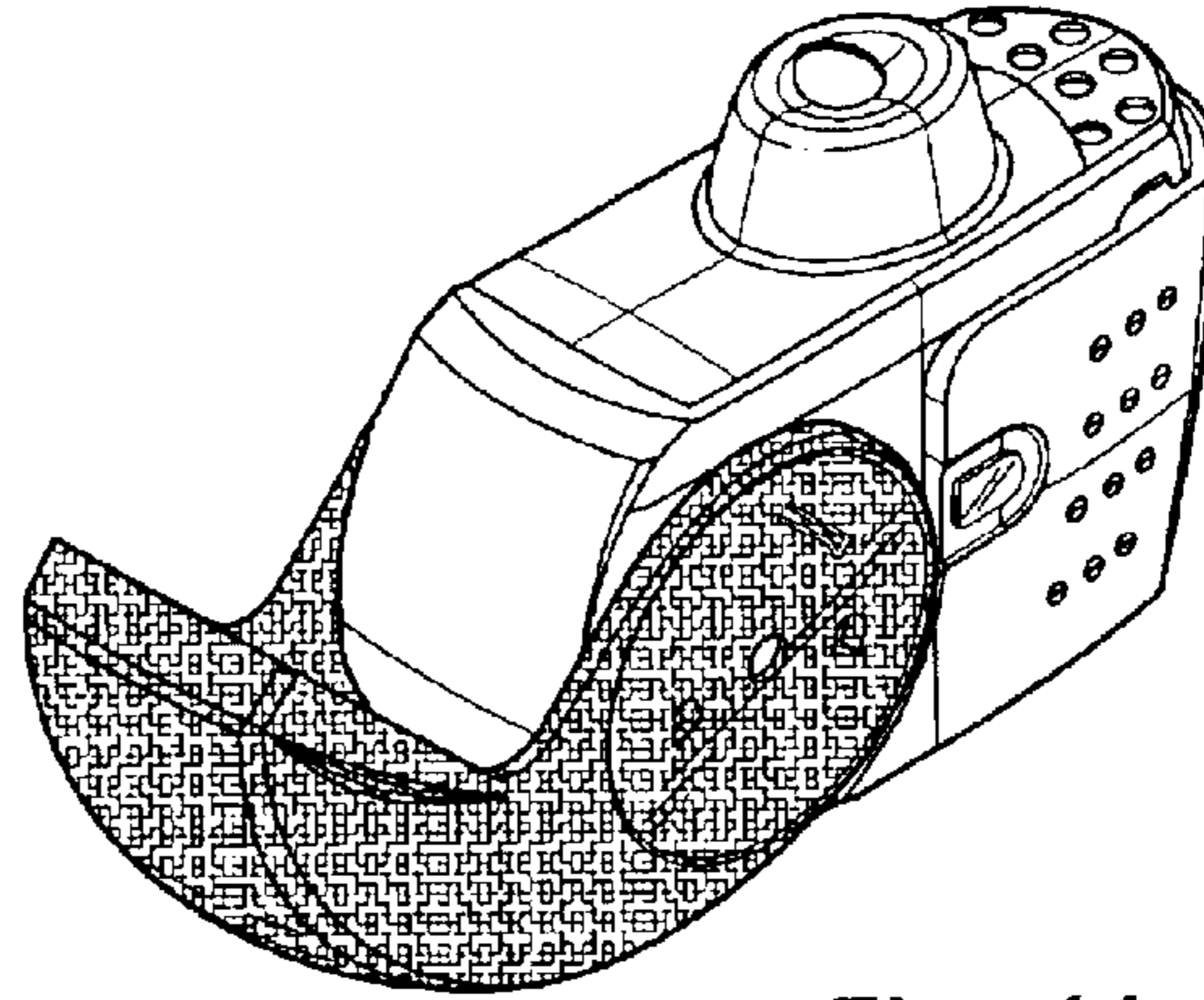


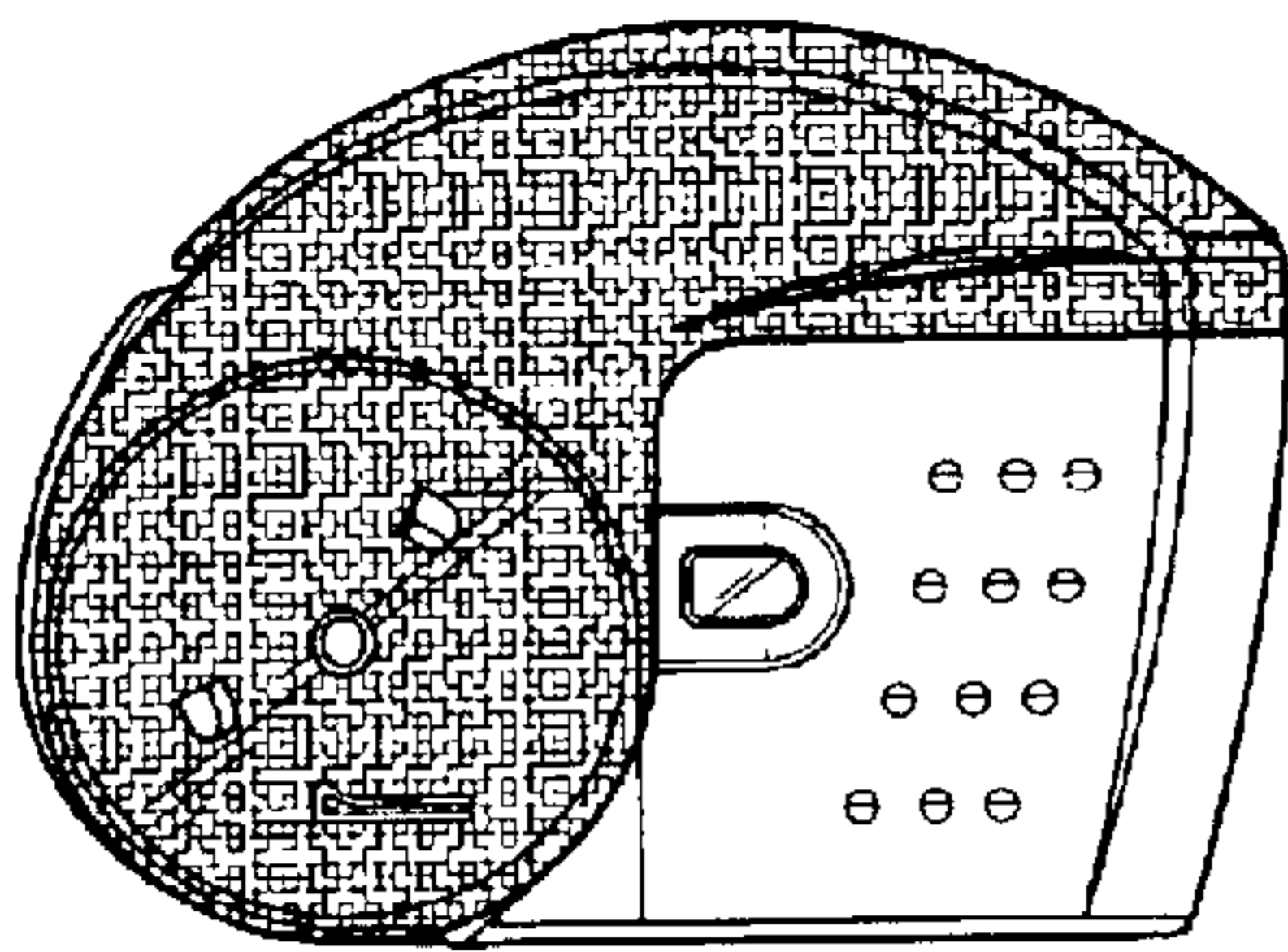
Fig. 12



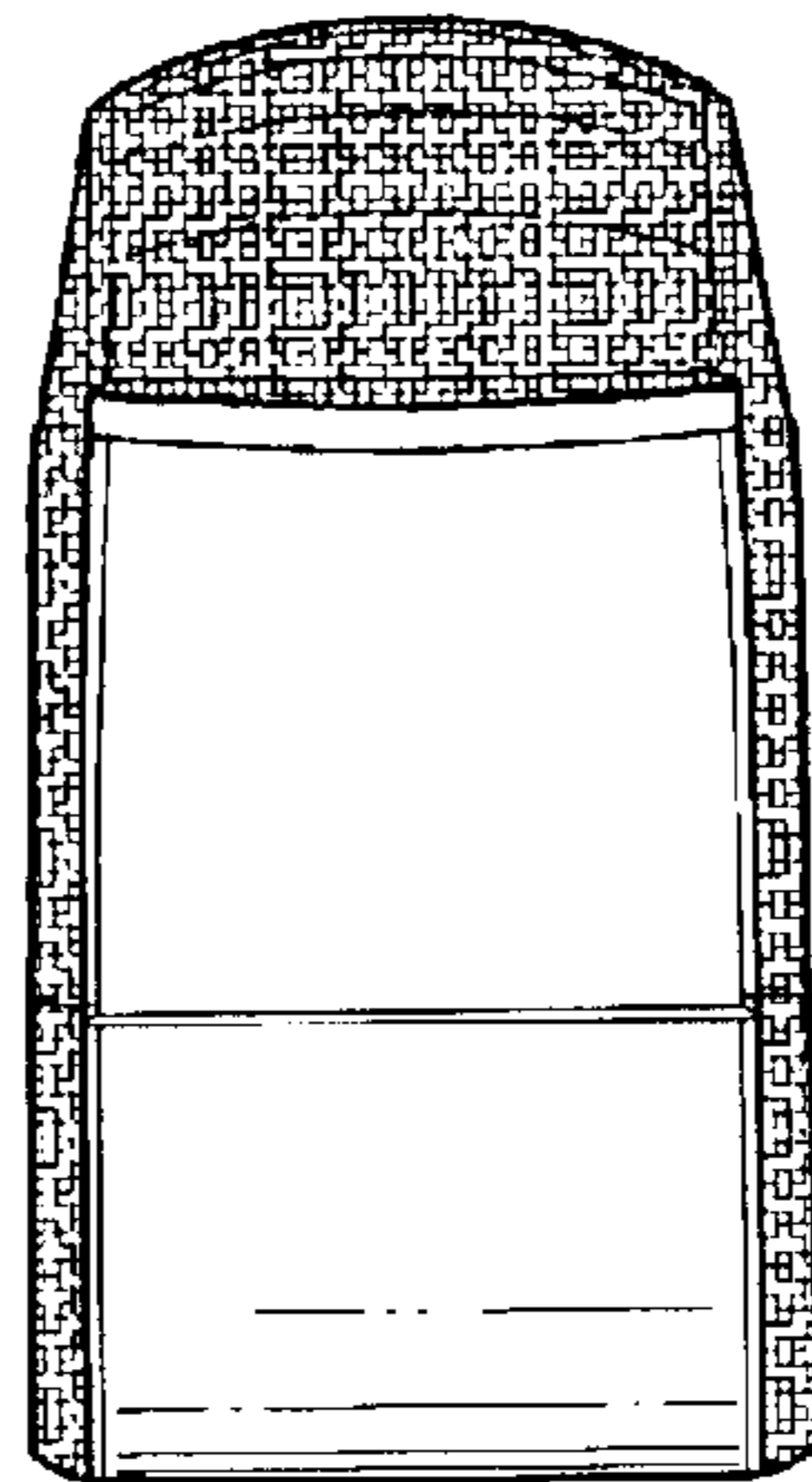
**Fig. 13**



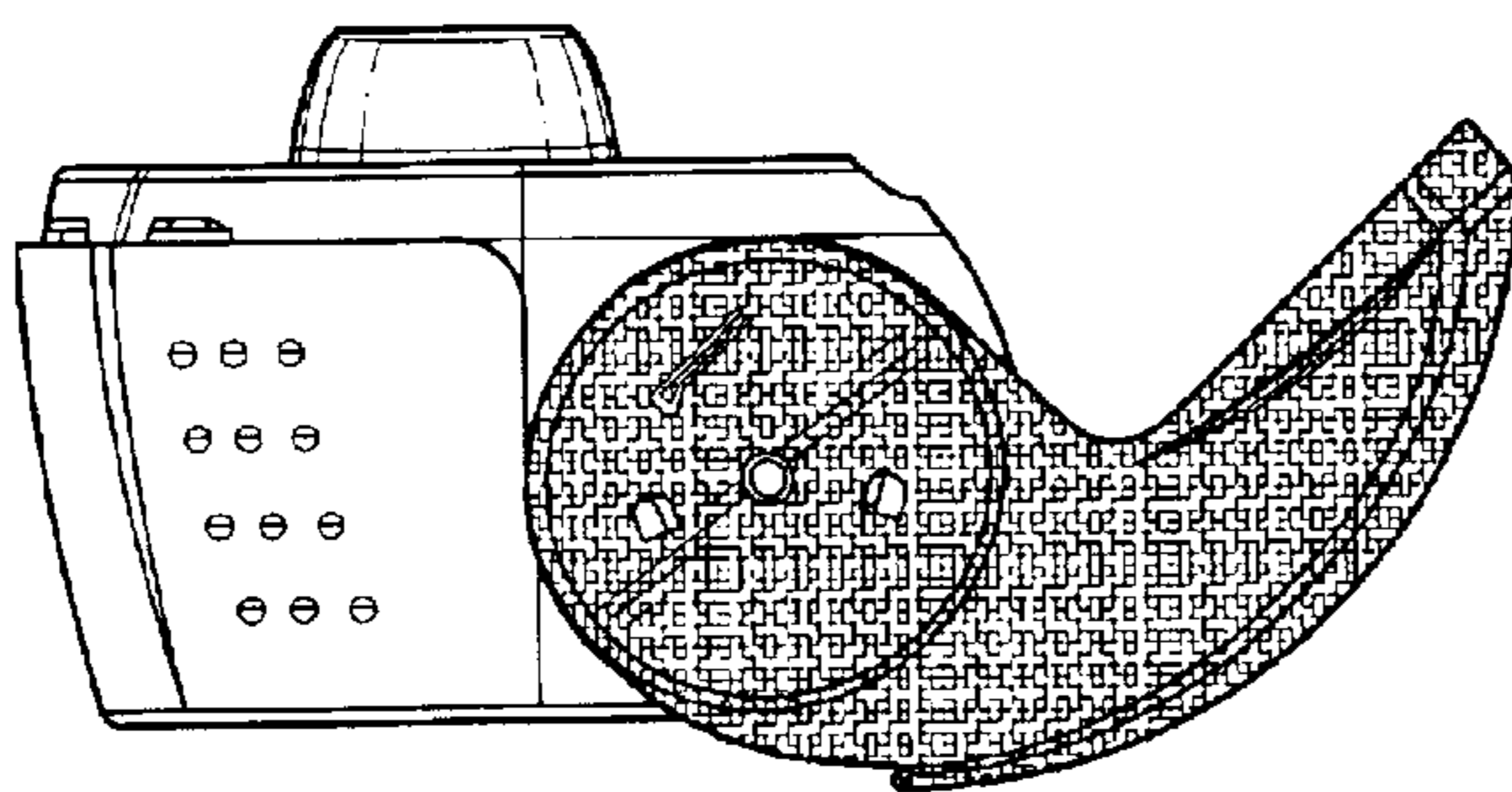
**Fig. 14**



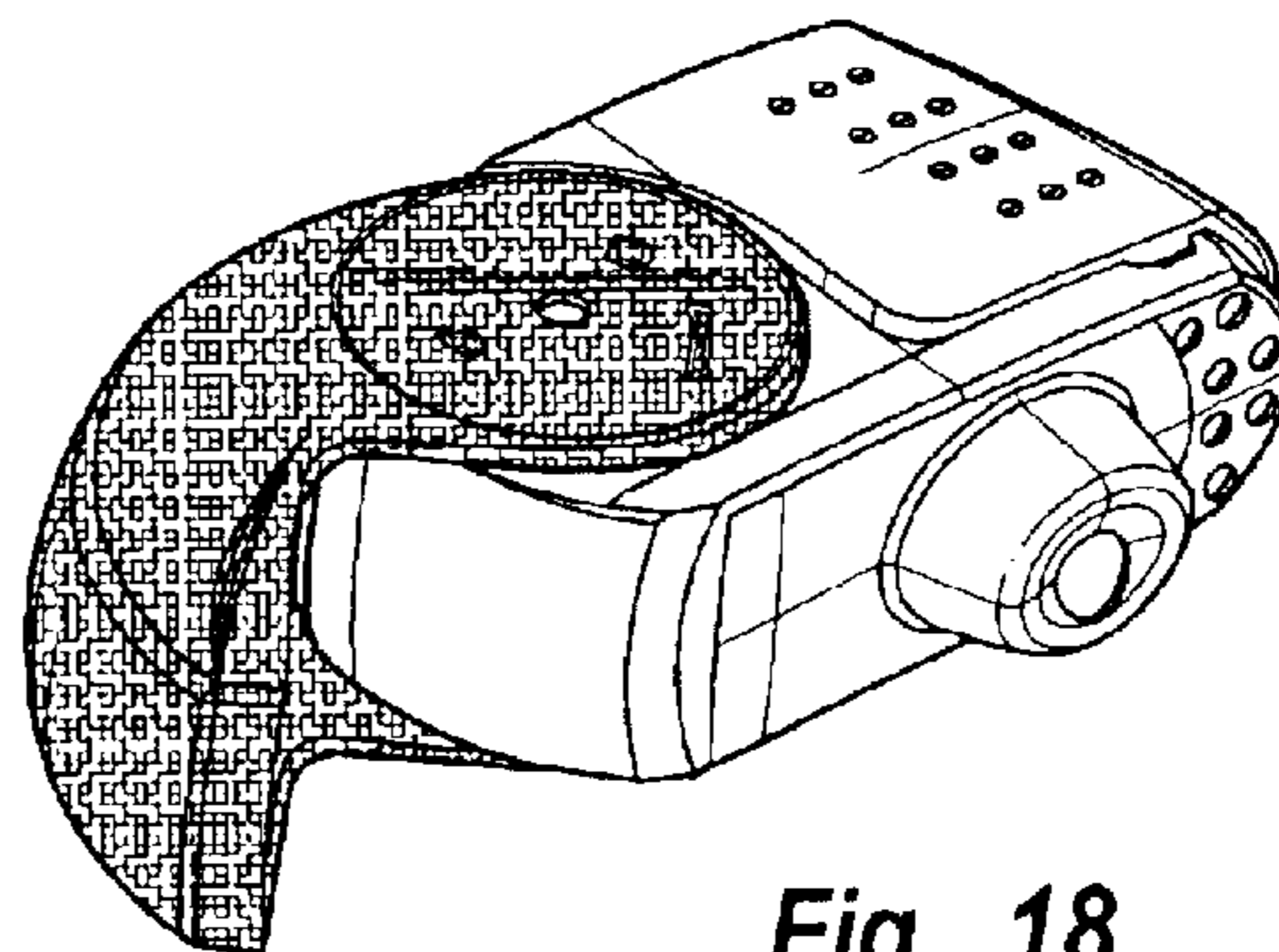
**Fig. 15**



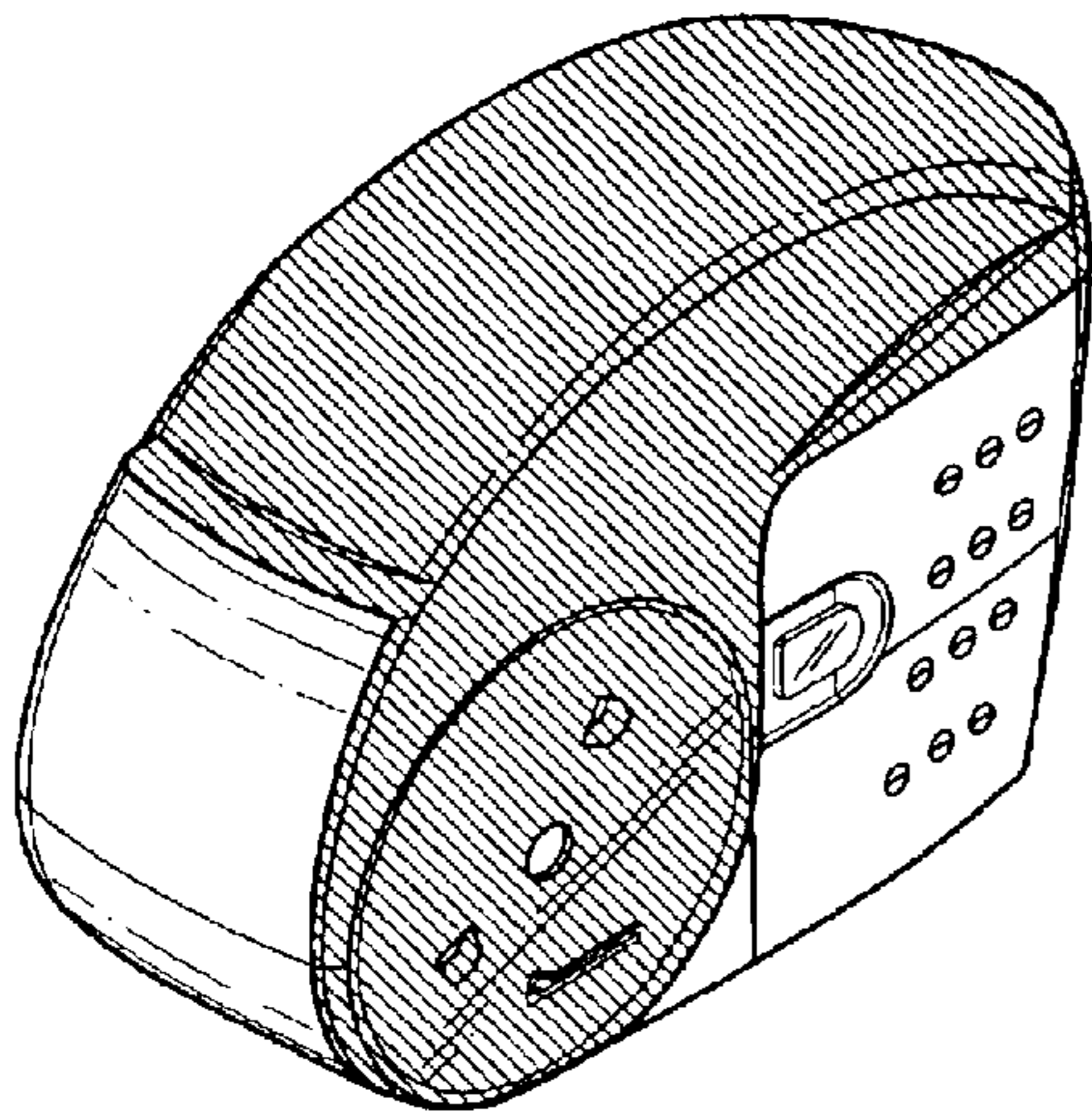
**Fig. 16**



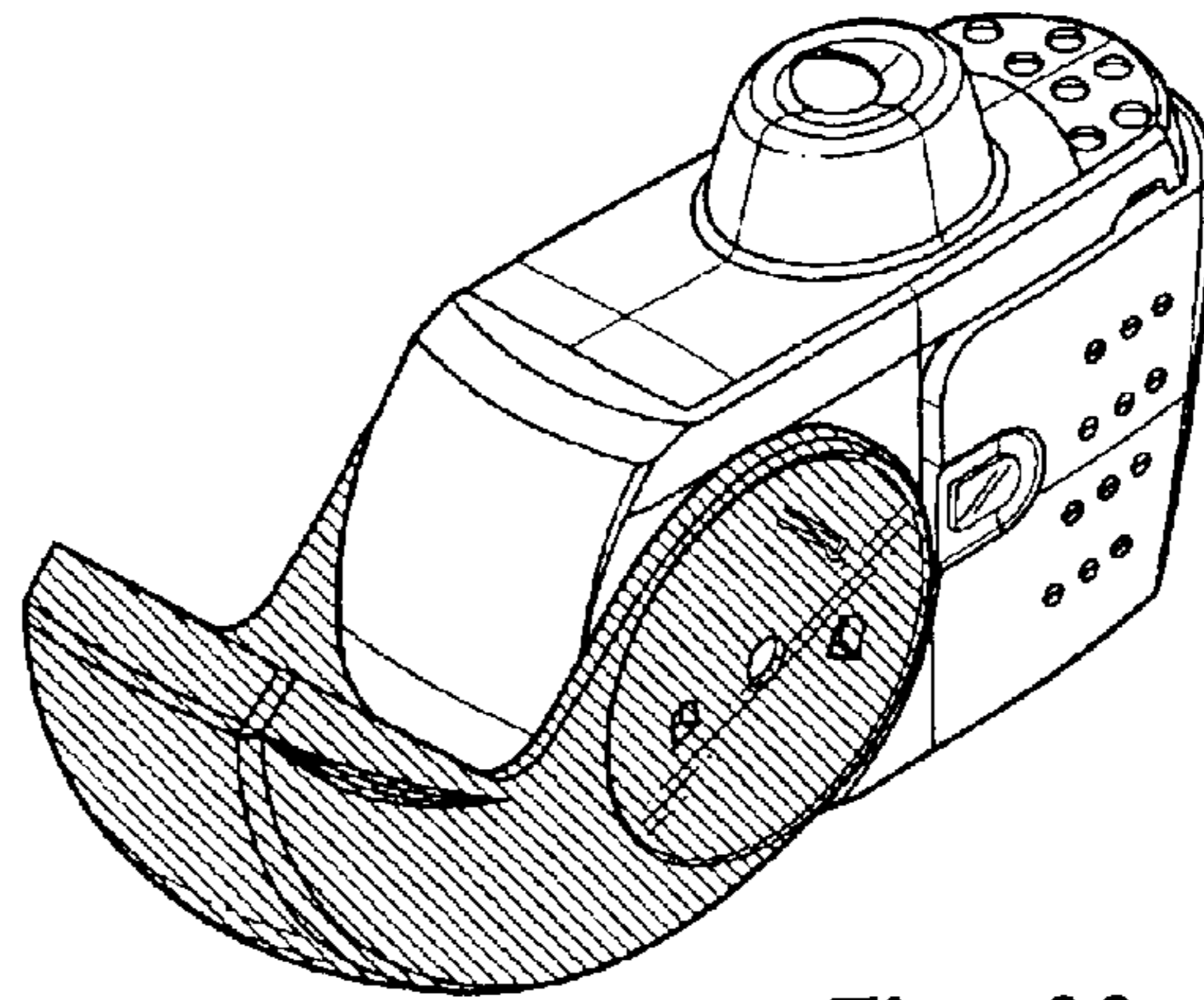
**Fig. 17**



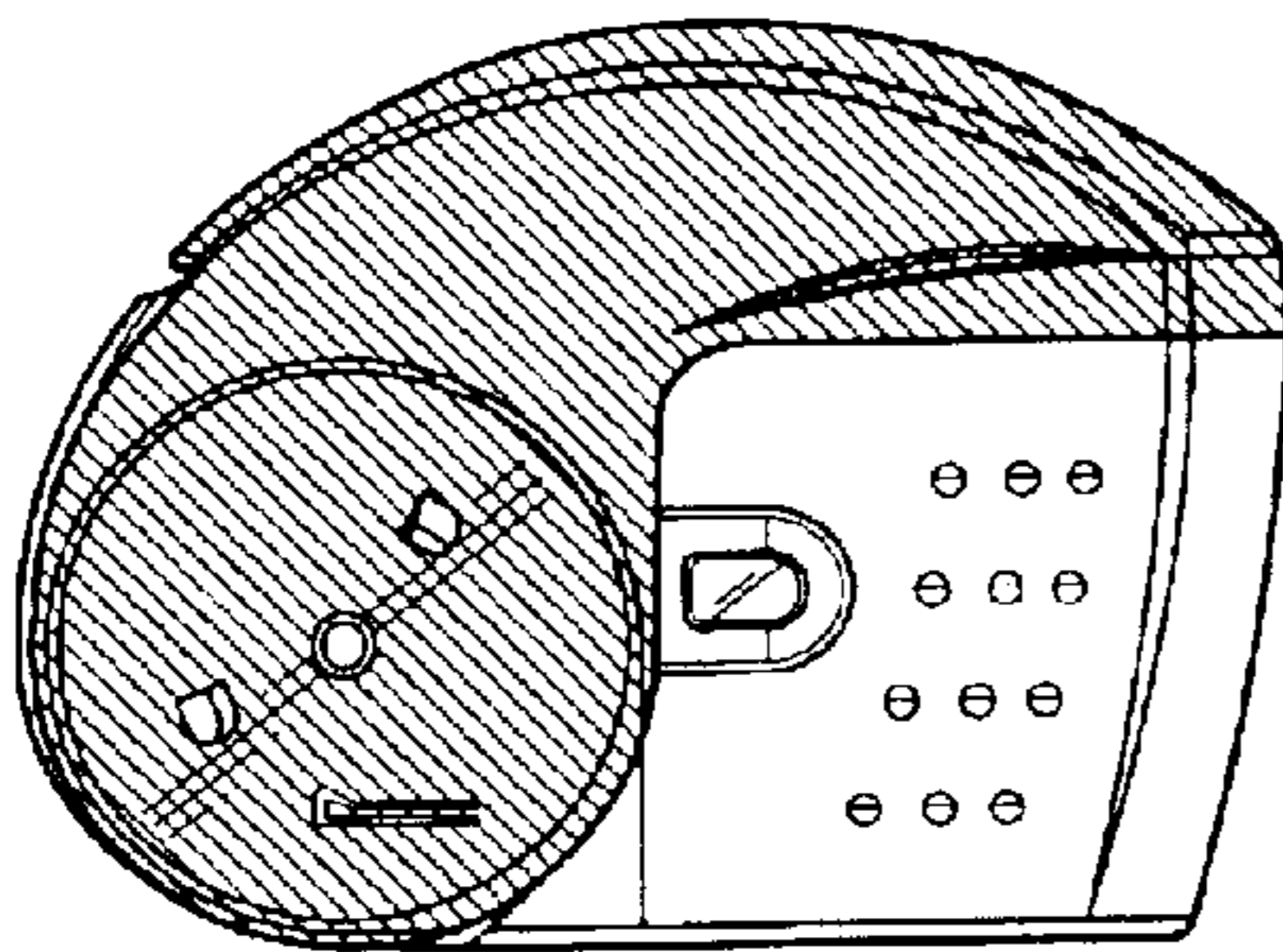
**Fig. 18**



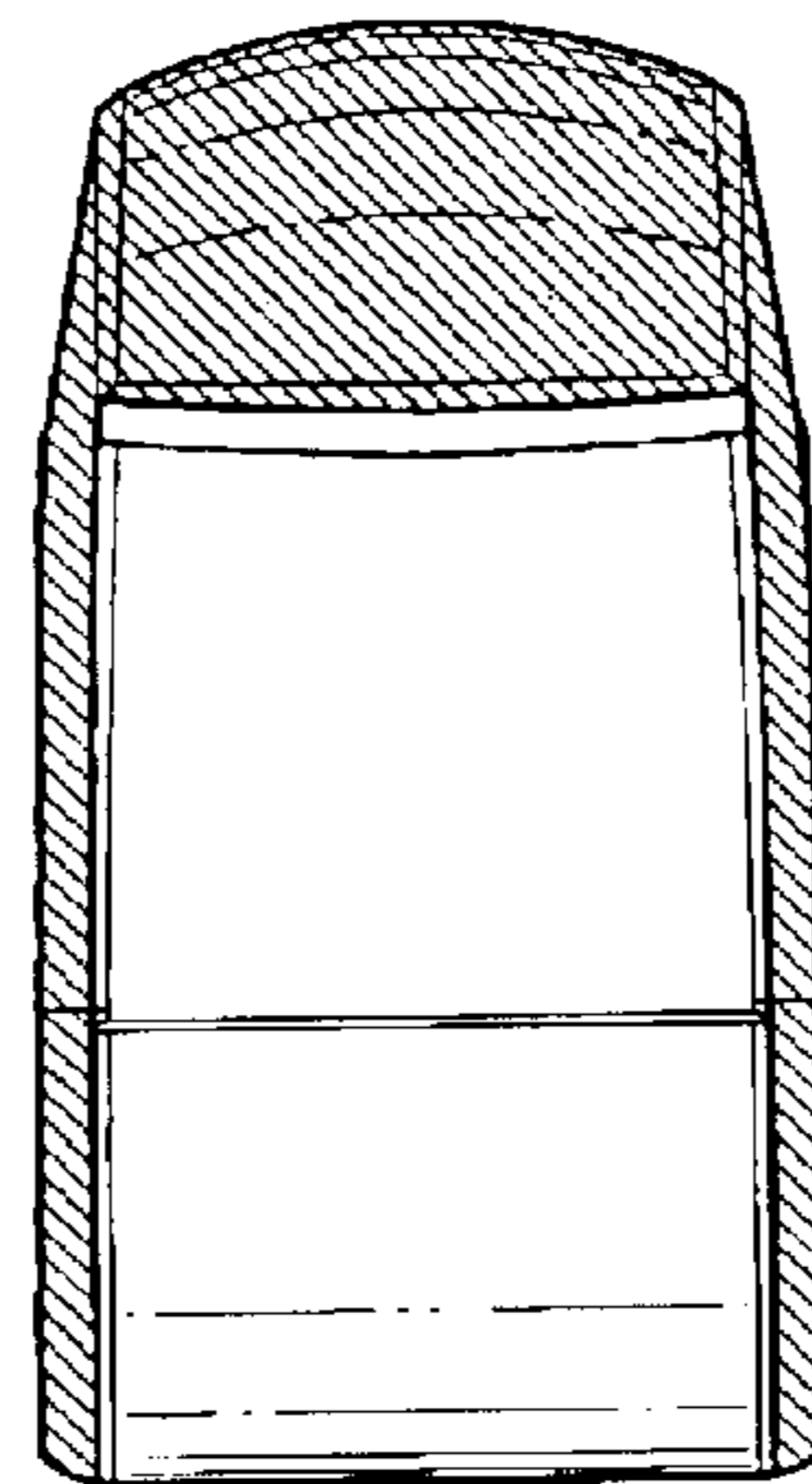
**Fig. 19**



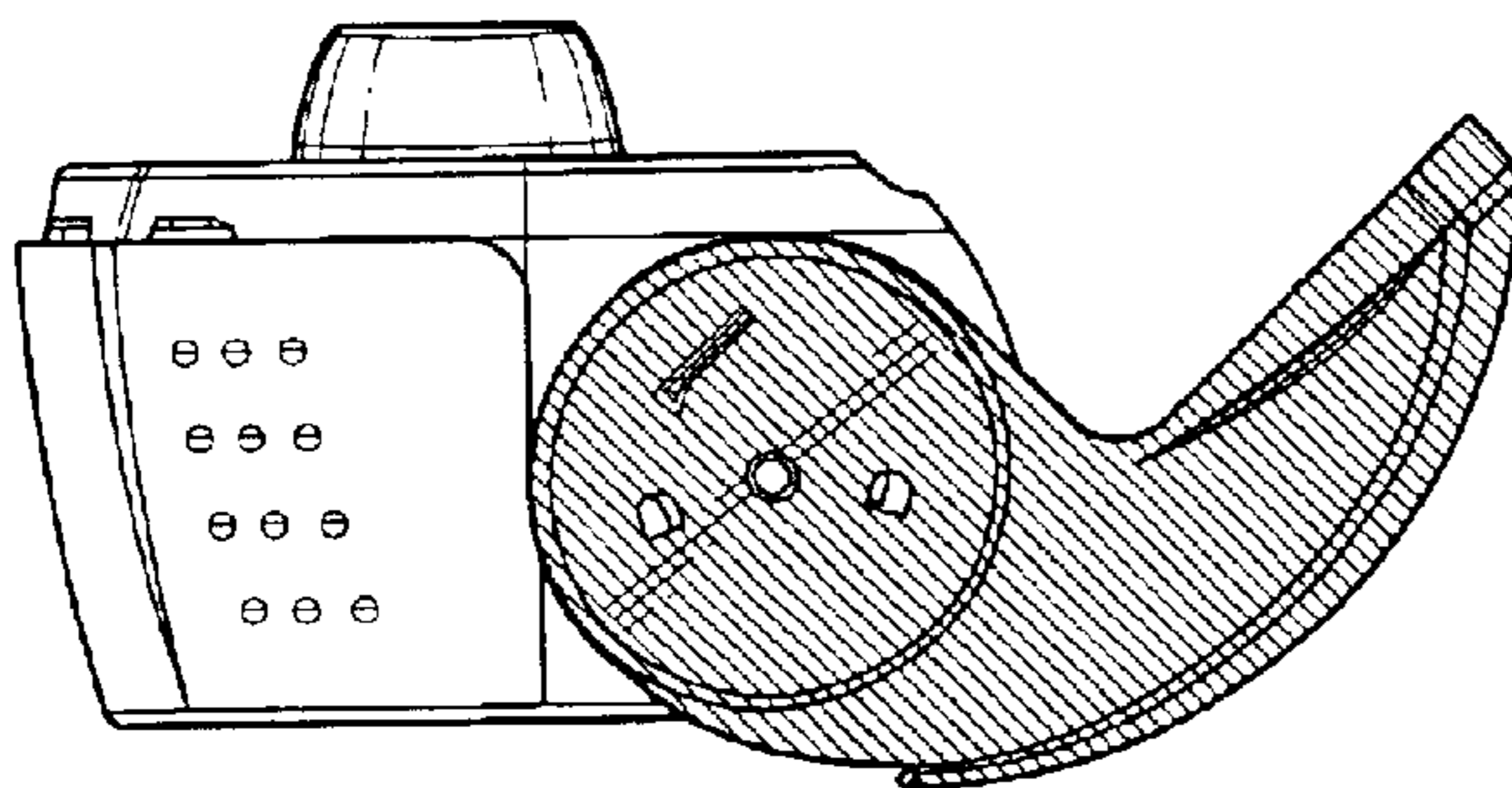
**Fig. 20**



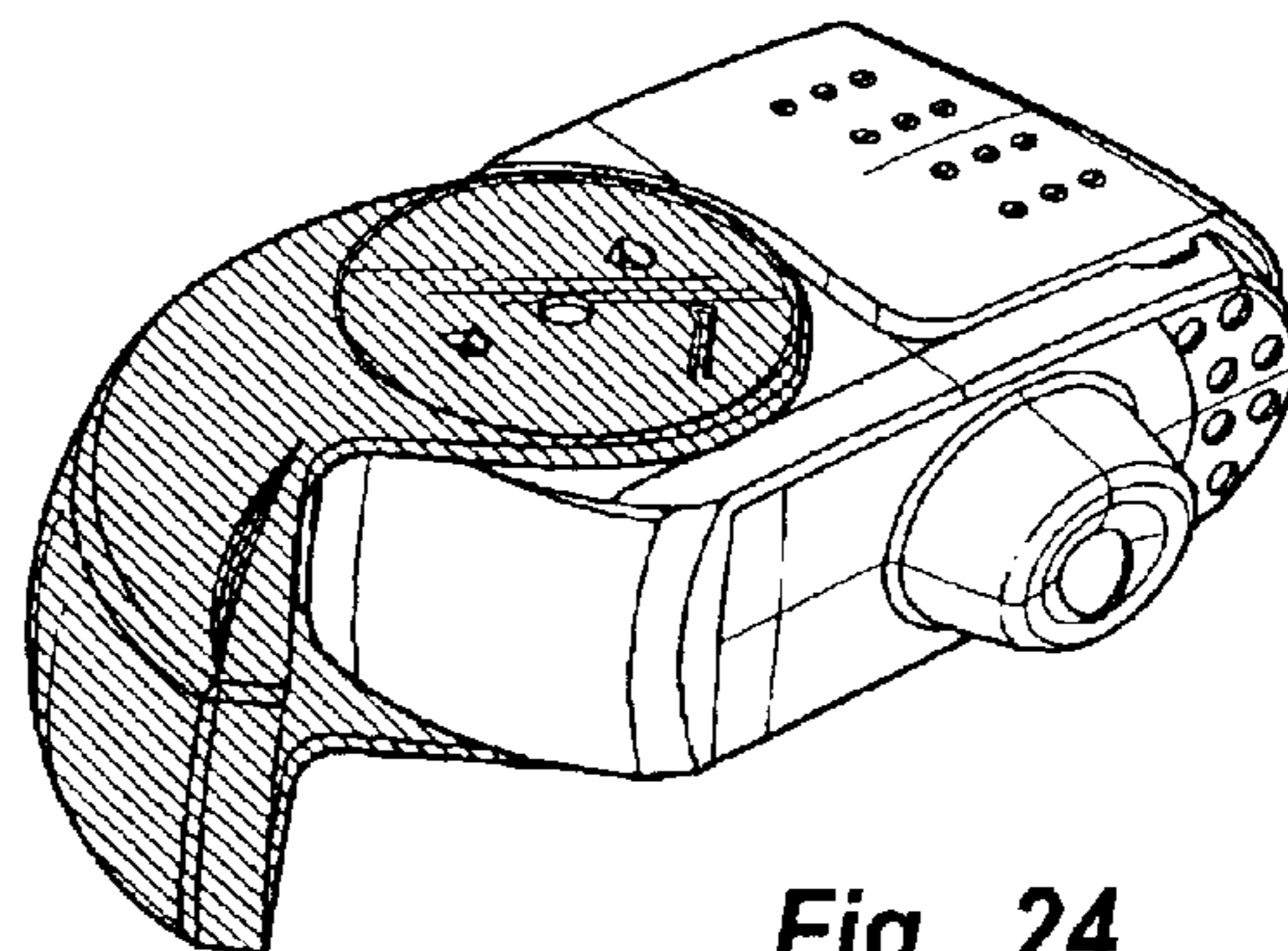
**Fig. 21**



**Fig. 22**



**Fig. 23**



**Fig. 24**

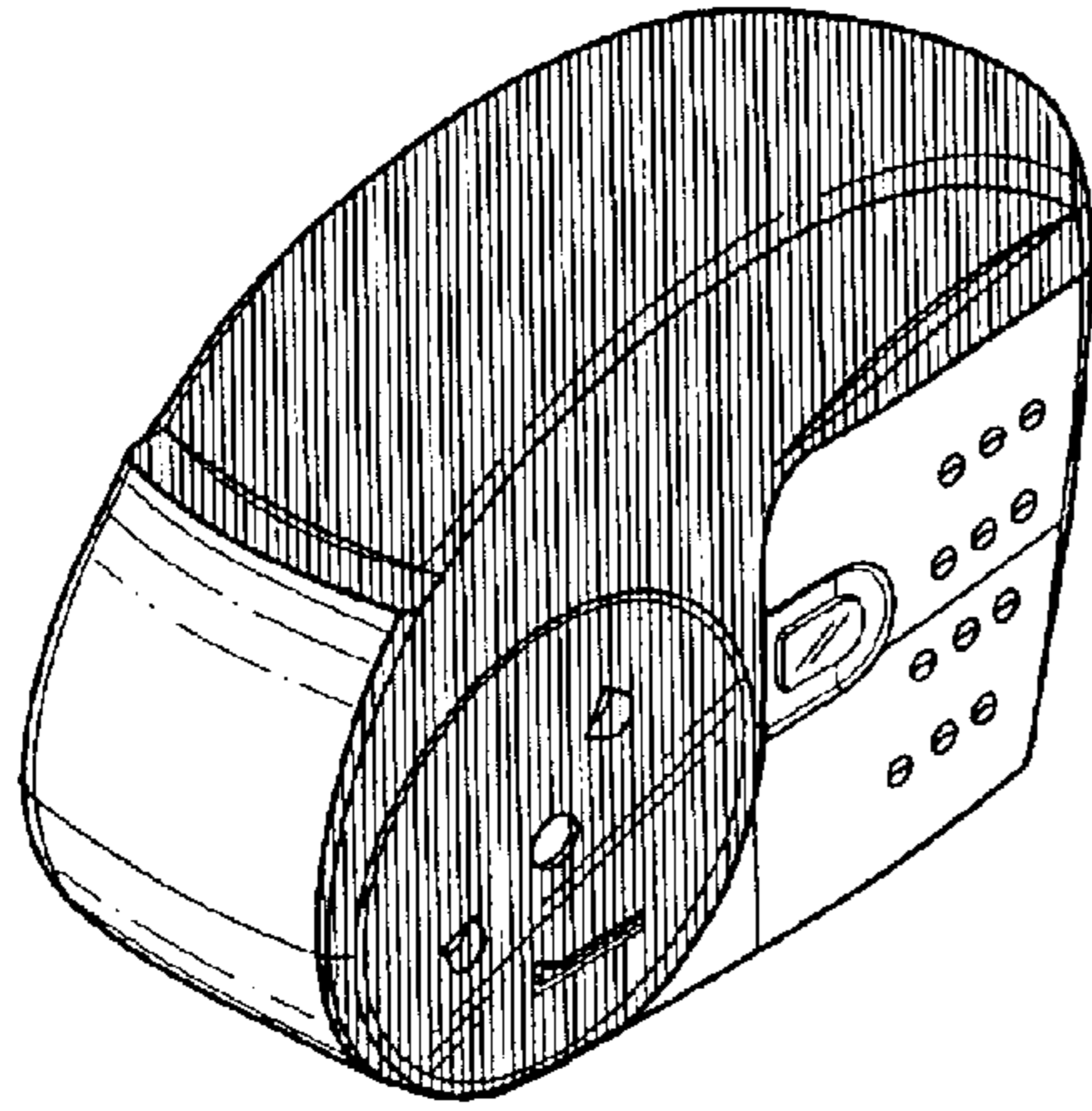


Fig. 25

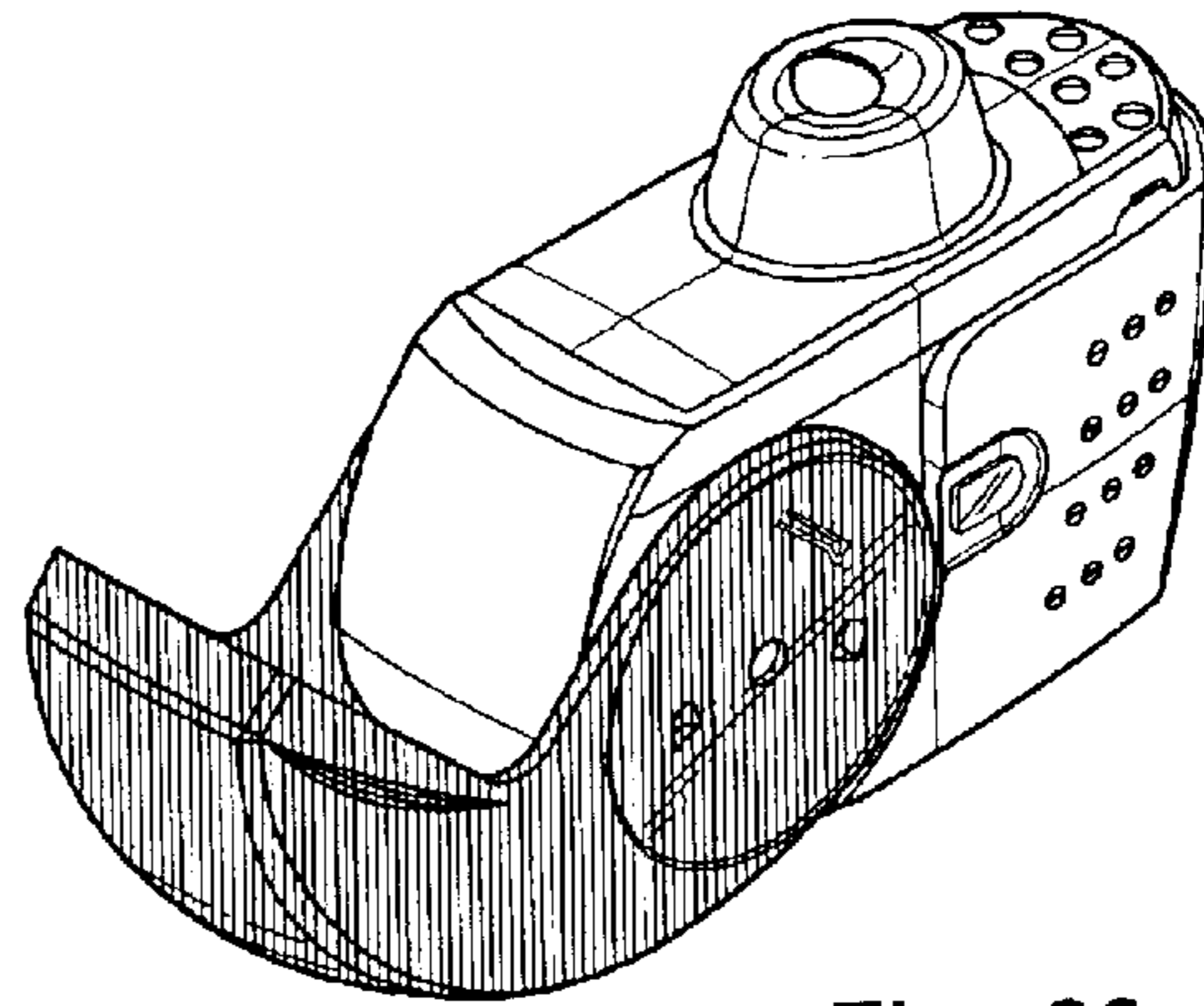


Fig. 26

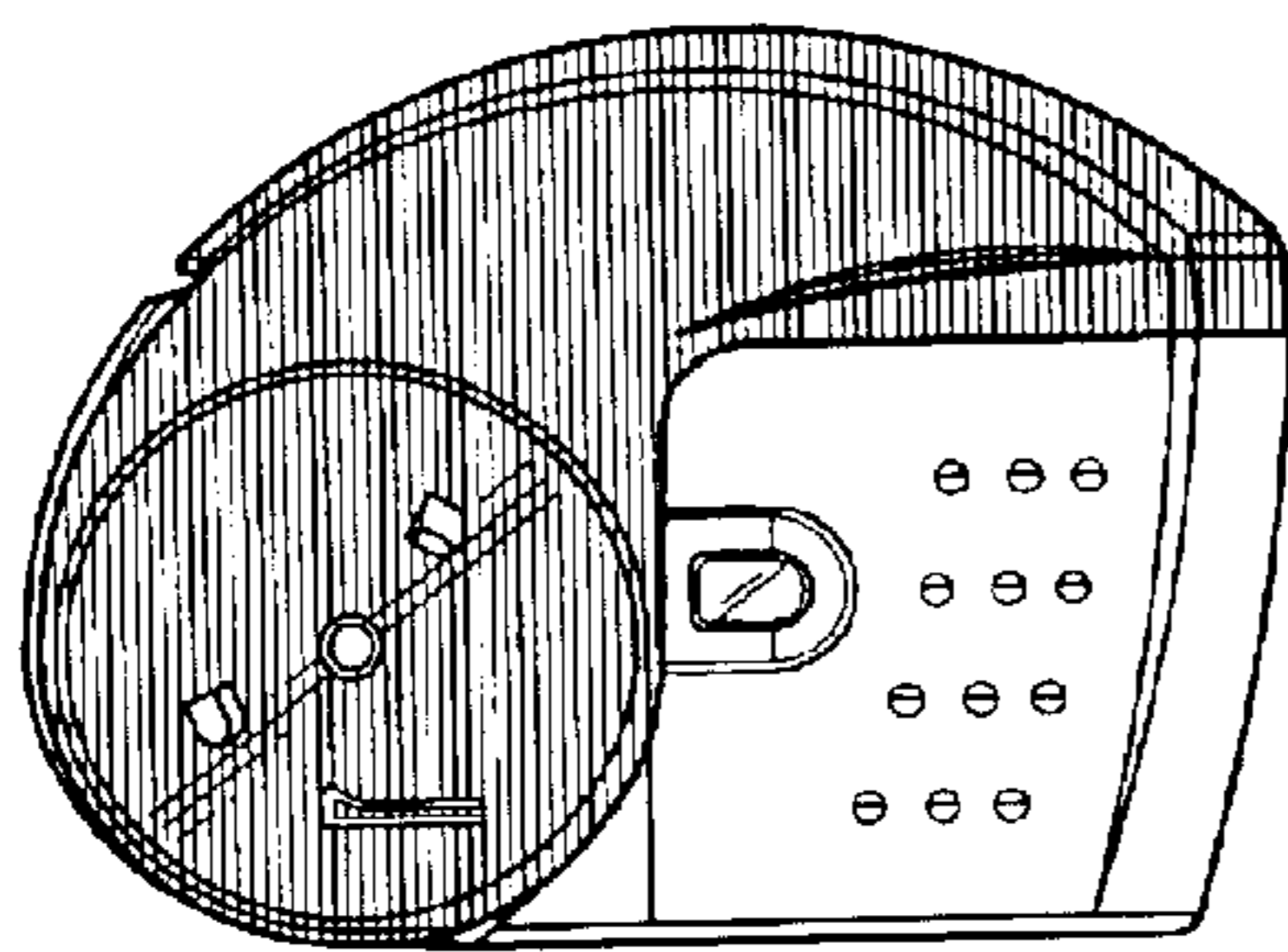


Fig. 27

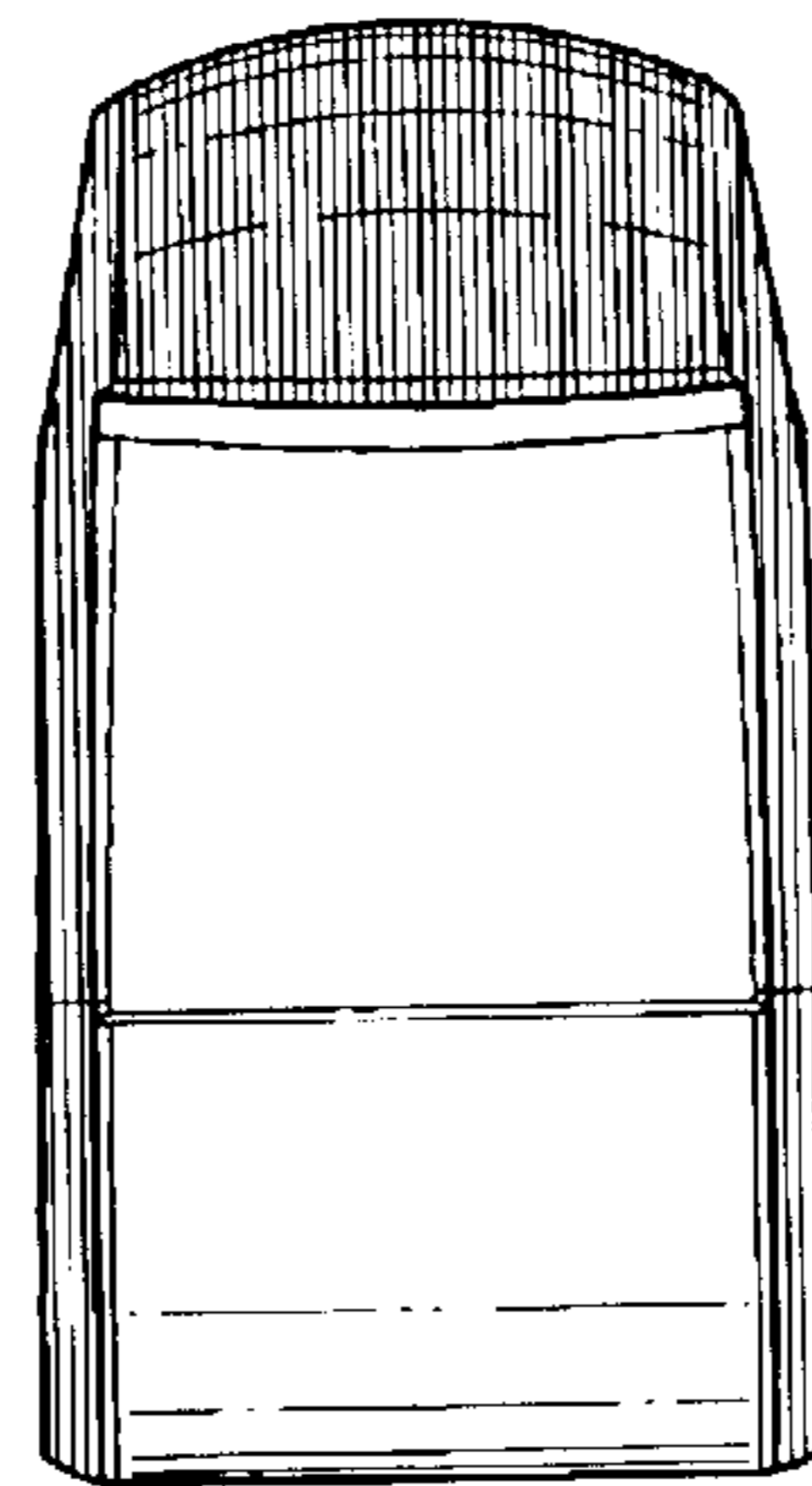


Fig. 28

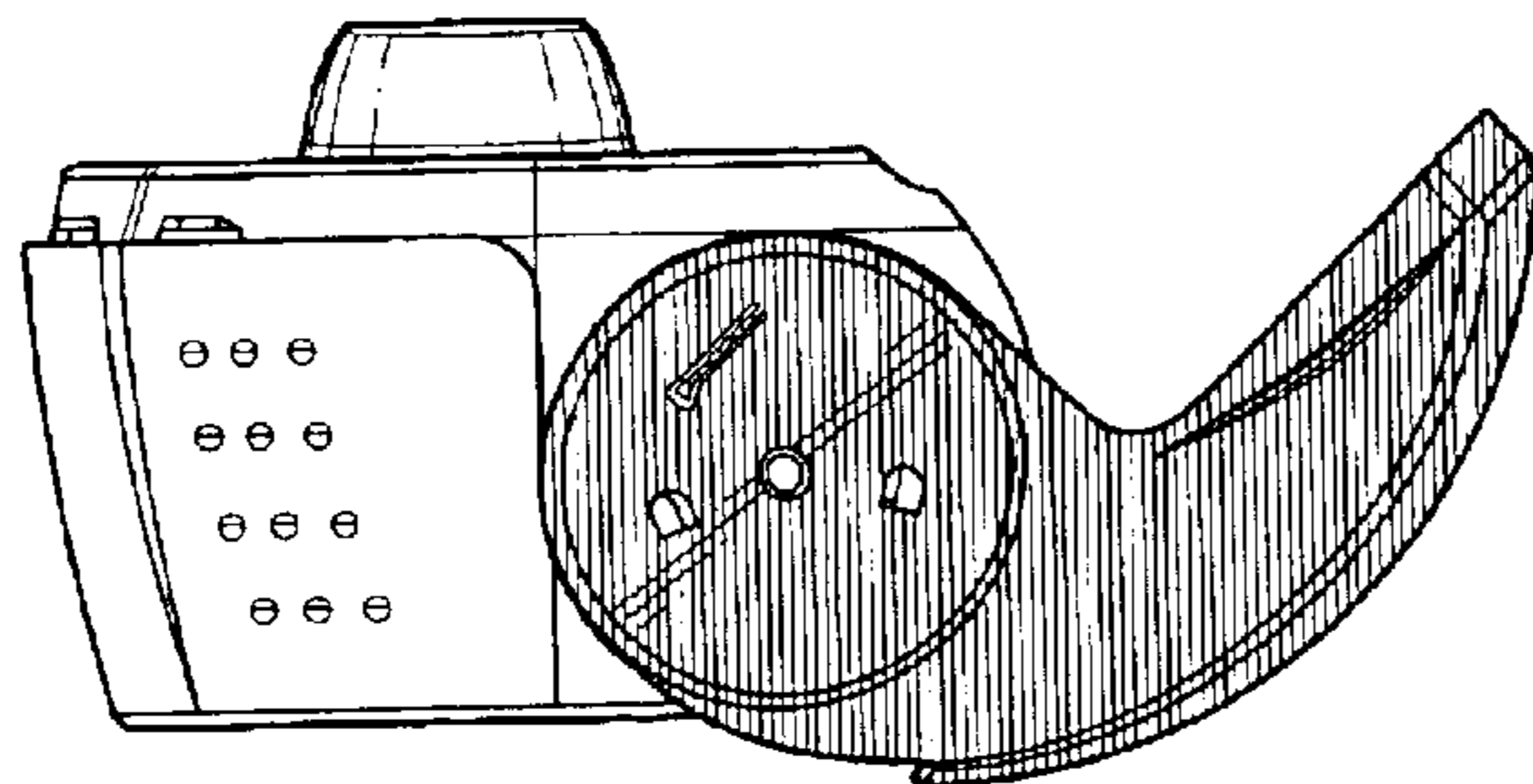


Fig. 29

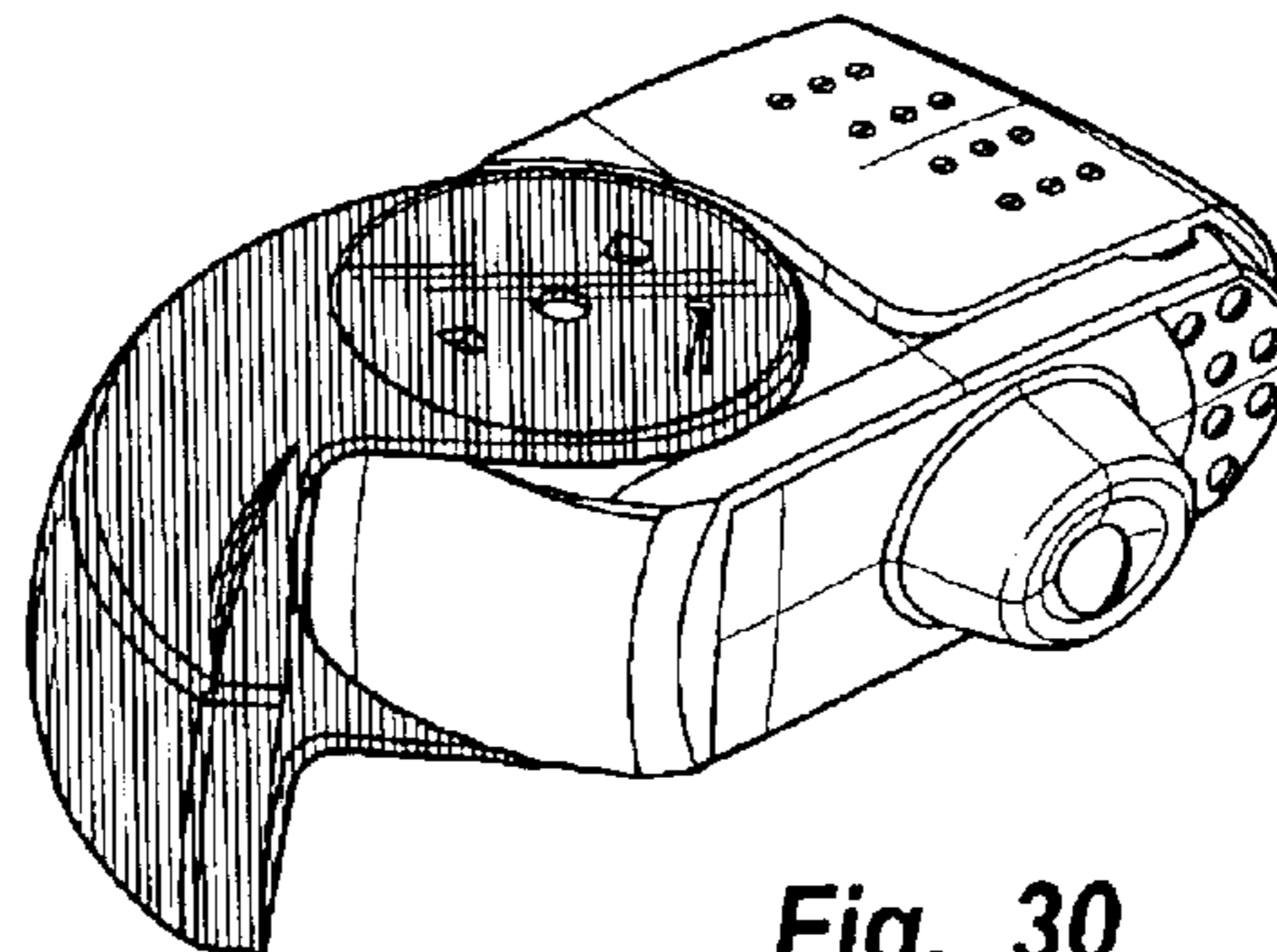


Fig. 30

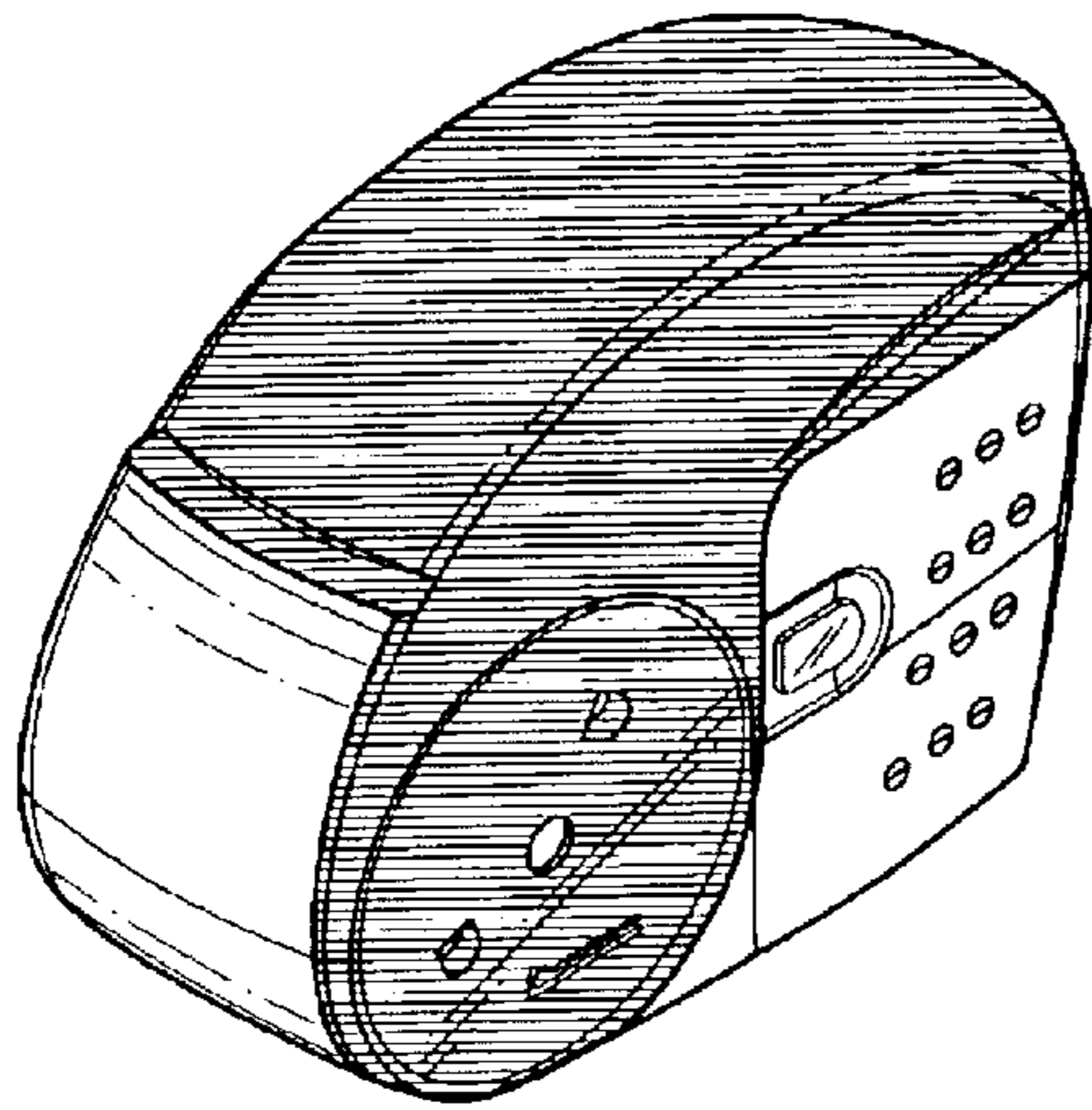


Fig. 31

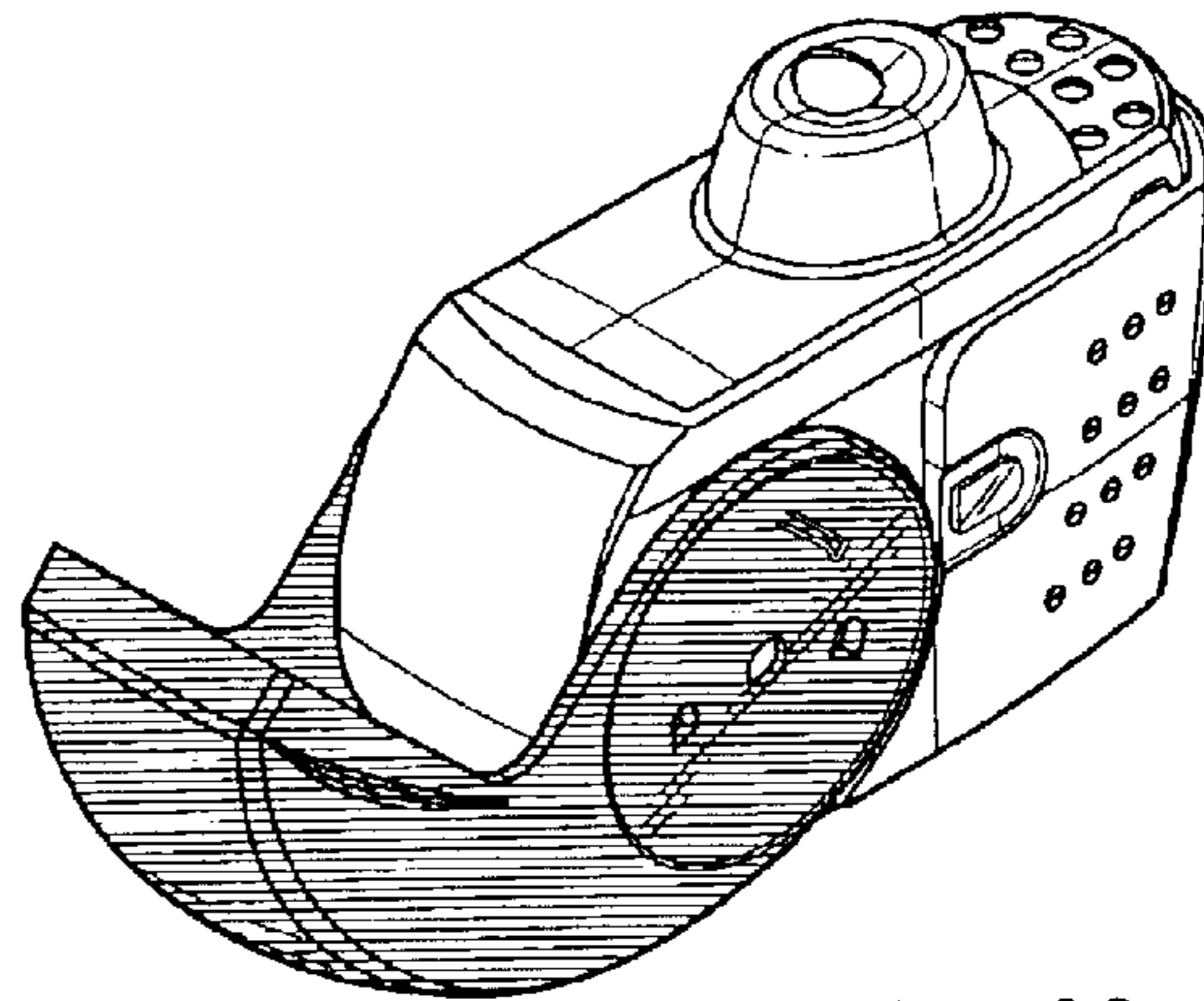


Fig. 32

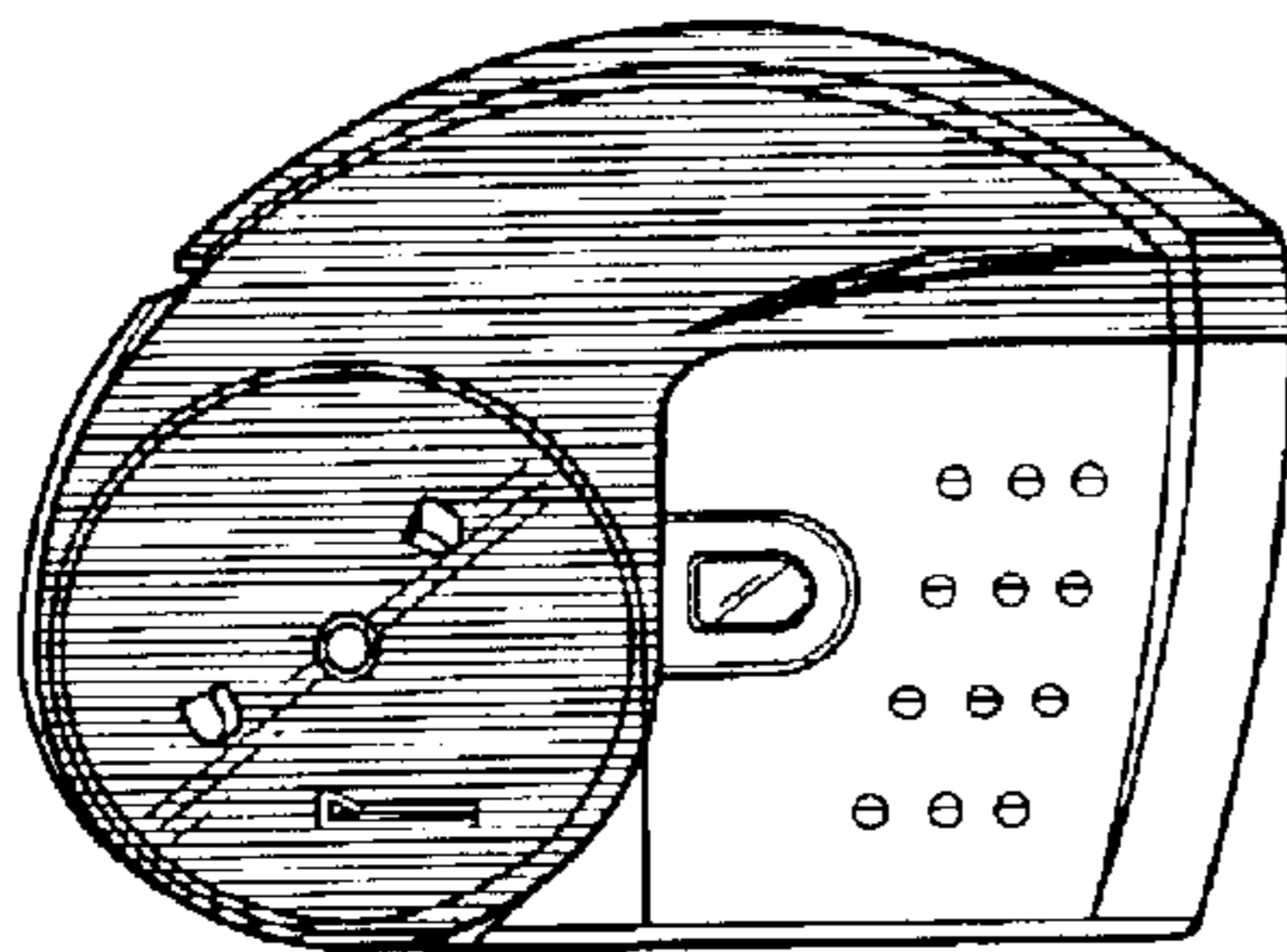


Fig. 33

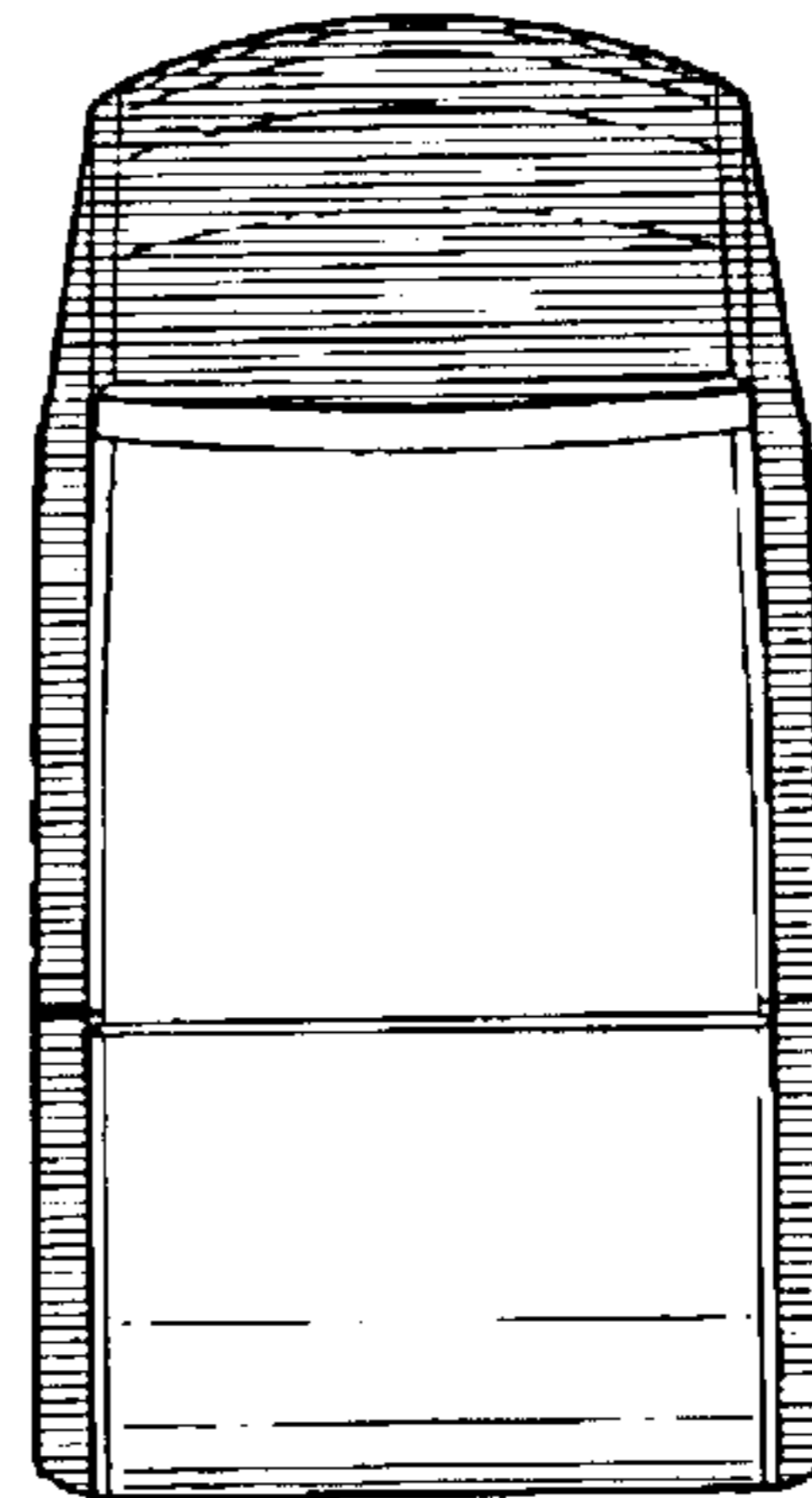


Fig. 34

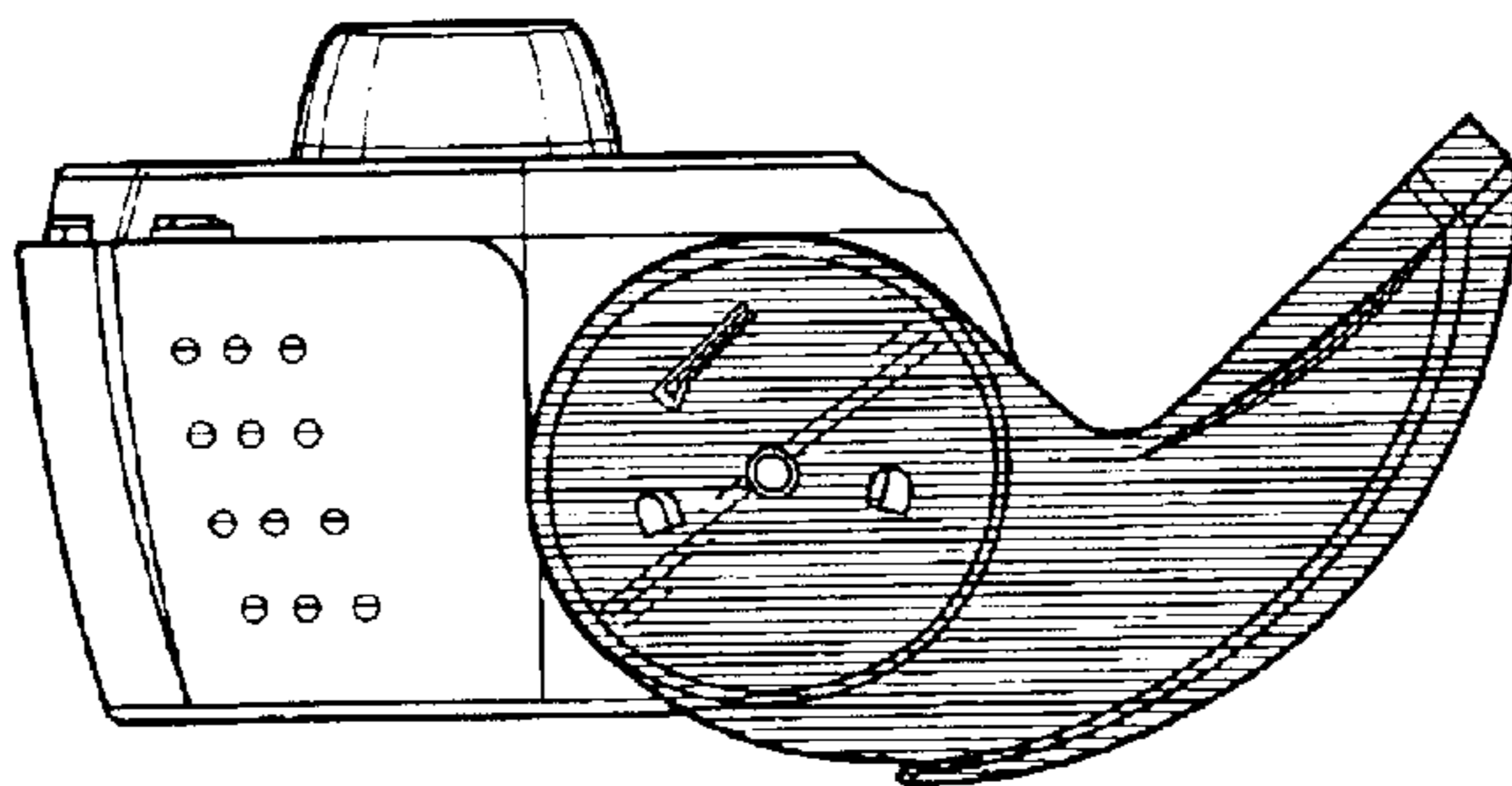


Fig. 35

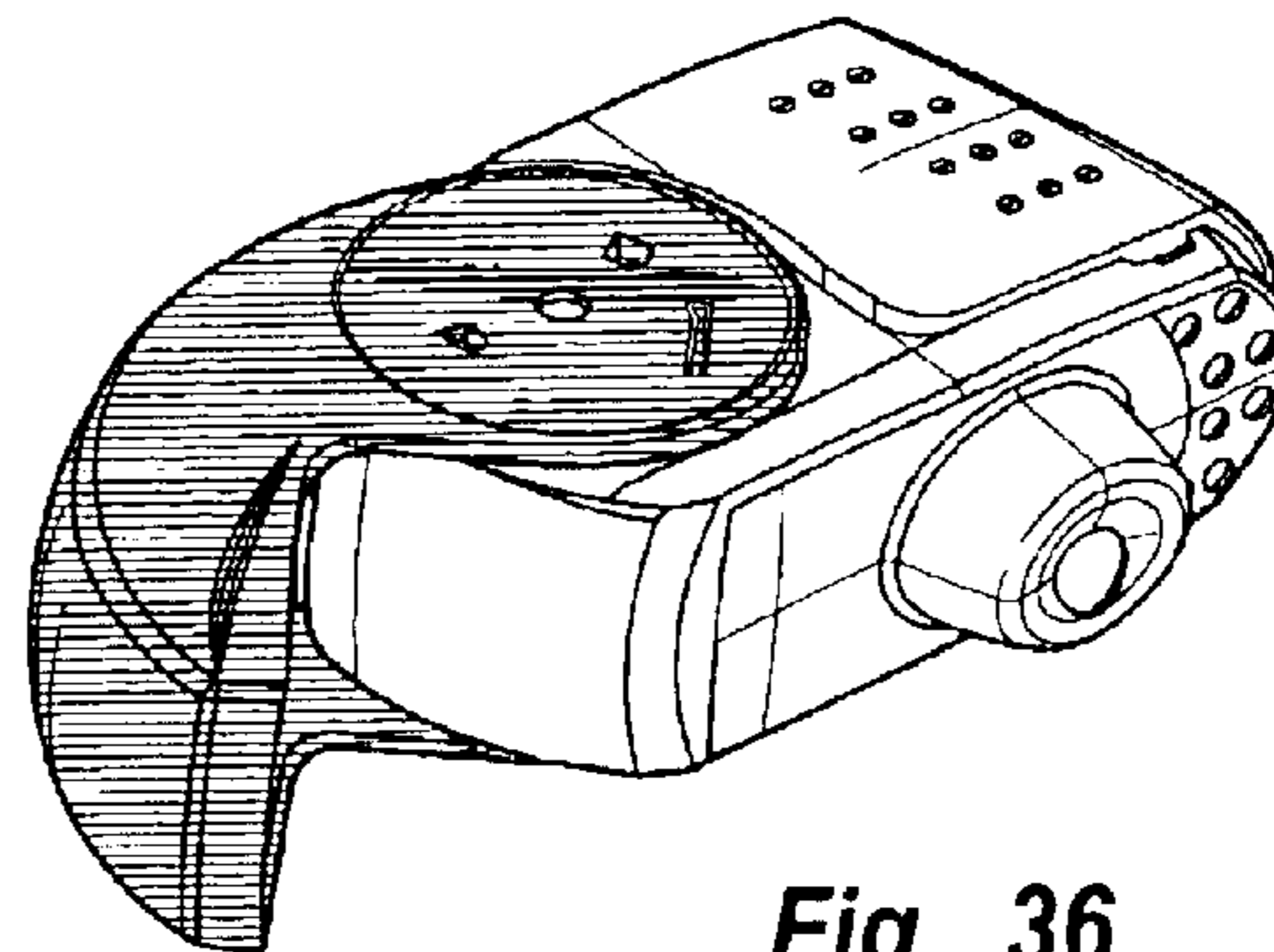


Fig. 36