



US00D499800S

(12) **United States Design Patent**
Trépanier

(10) **Patent No.:** **US D499,800 S**

(45) **Date of Patent:** **** Dec. 14, 2004**

(54) **SINK**

D193,464 S * 8/1962 Hauser D23/290
D328,206 S * 7/1992 Lewis D6/441

(75) **Inventor:** **Gaston Trépanier, Québec (CA)**

* cited by examiner

(73) **Assignee:** **Julien Inc., Quebec (CA)**

Primary Examiner—Robert A. Delehanty

(**) **Term:** **14 Years**

(74) *Attorney, Agent, or Firm*—Holland & Knight LLP

(21) **Appl. No.:** **29/203,947**

(57) **CLAIM**

(22) **Filed:** **Apr. 21, 2004**

The ornamental design for a sink, as shown and described.

(30) **Foreign Application Priority Data**

DESCRIPTION

Nov. 21, 2003 (CA) 105092

(51) **LOC (7) Cl.** **23-02**

FIG. 1 is a front perspective view of a sink, showing my new design;

(52) **U.S. Cl.** **D23/286**

FIG. 2 is a top view thereof;

(58) **Field of Search** D23/270–273,

FIG. 3 is a front elevation view thereof;

D23/284–287, 293.1, 303, 308; 4/662–666,

FIG. 4 is a right side elevation view thereof;

619, 630–631, 637–640, 654, 650–652,

FIG. 5 is a left side elevation view thereof; and,

661; D6/510, 441, 446

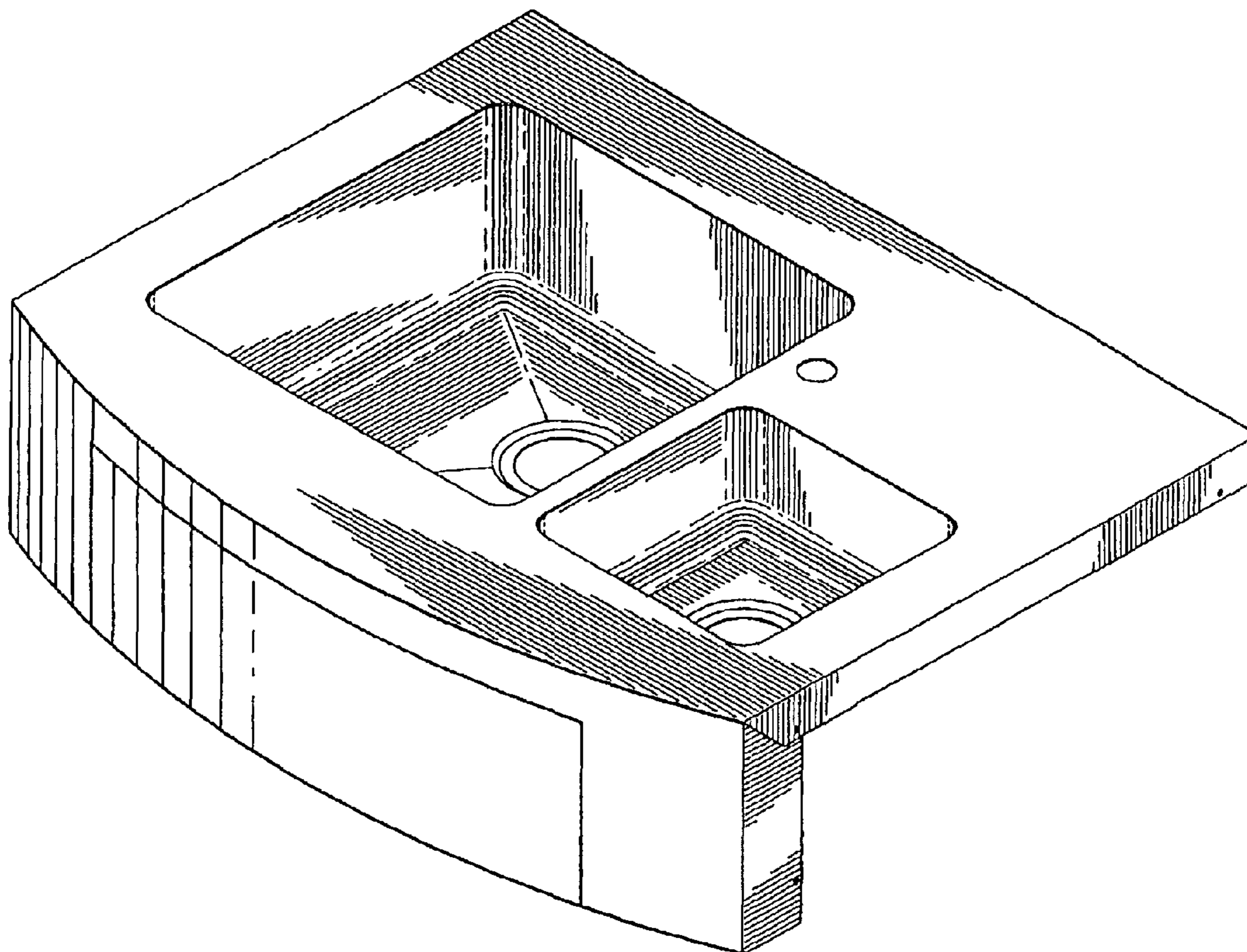
FIG. 6 is a rear side elevation view thereof.

(56) **References Cited**

U.S. PATENT DOCUMENTS

2,583,922 A * 1/1952 Zummach 4/638

1 Claim, 3 Drawing Sheets



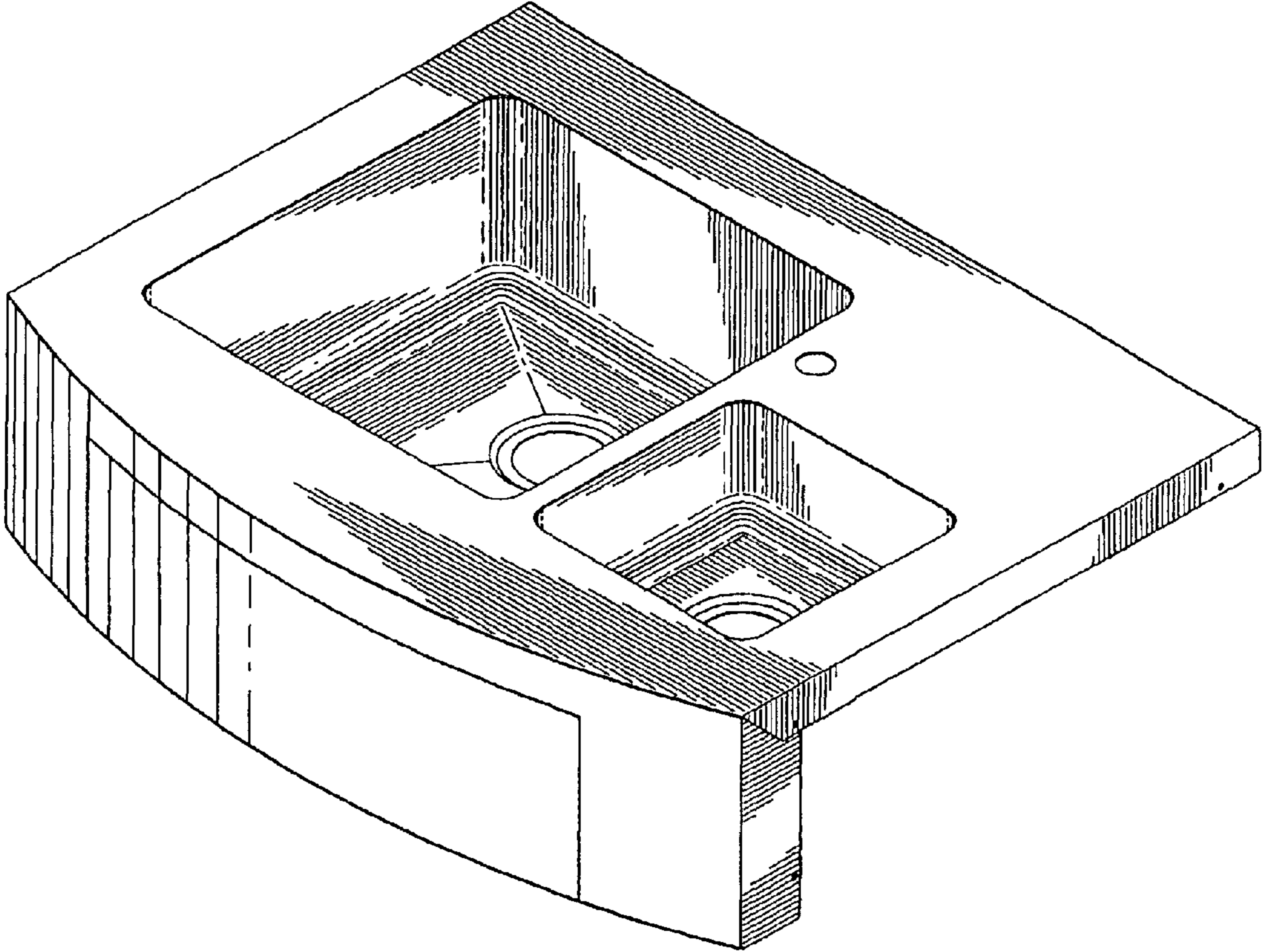


FIG. 1

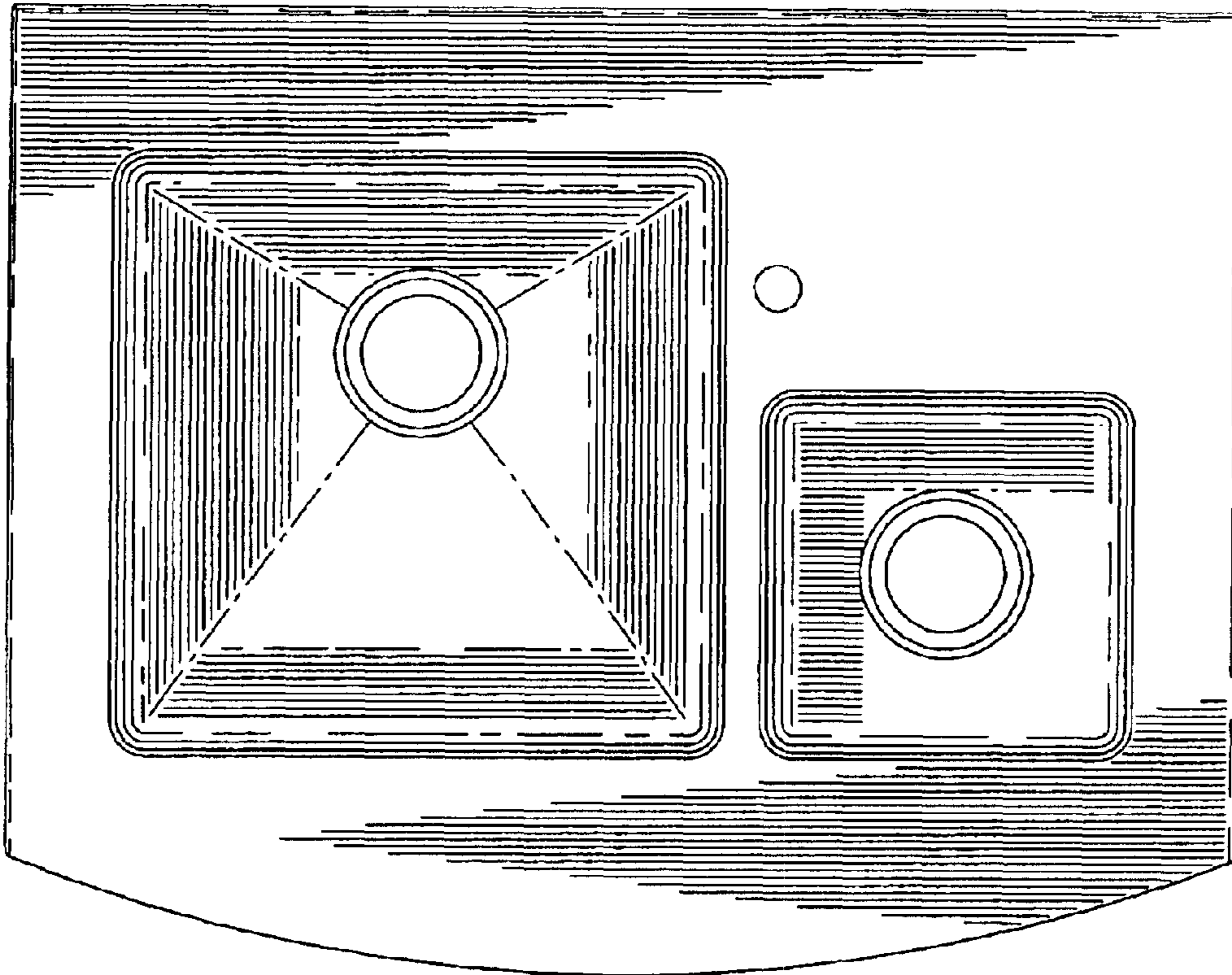


FIG. 2

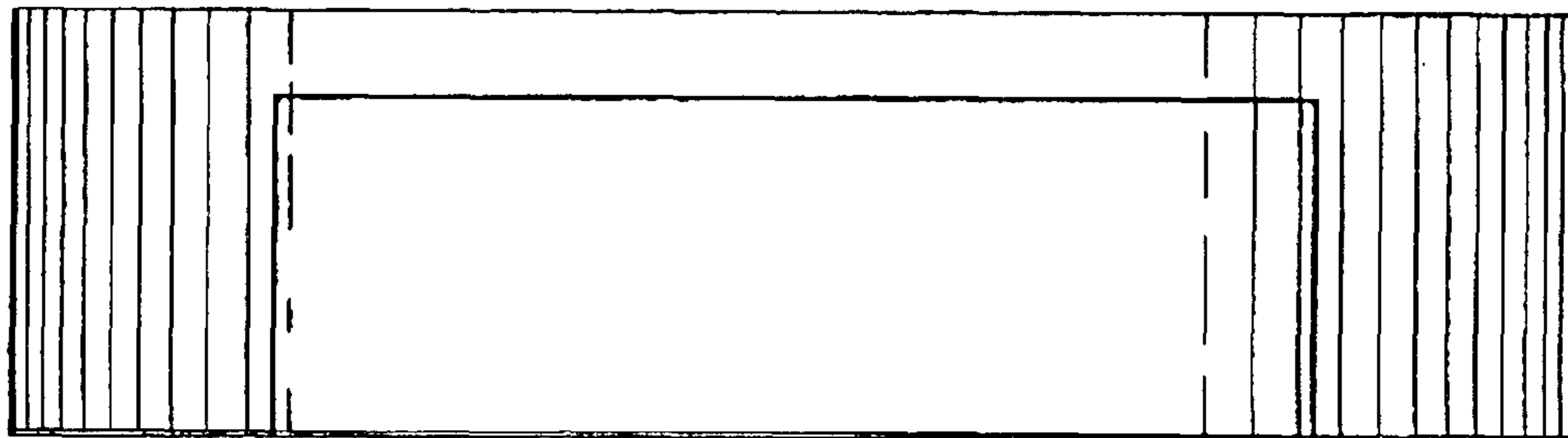


FIG. 3

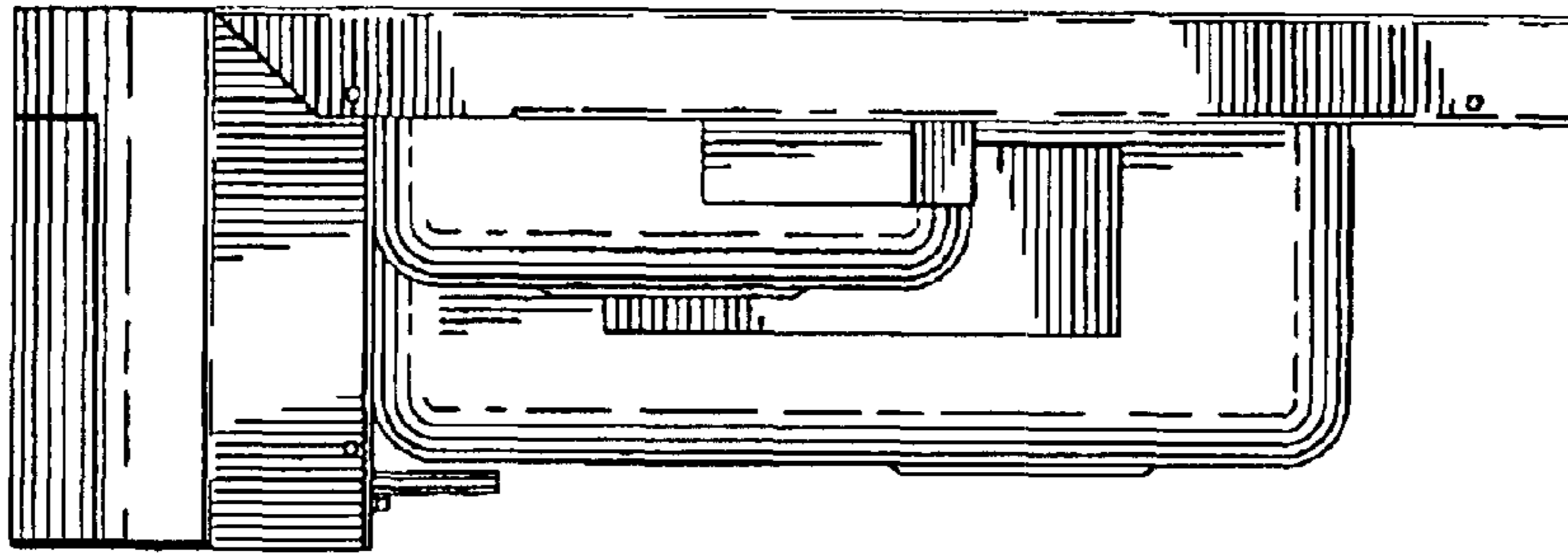


FIG. 4

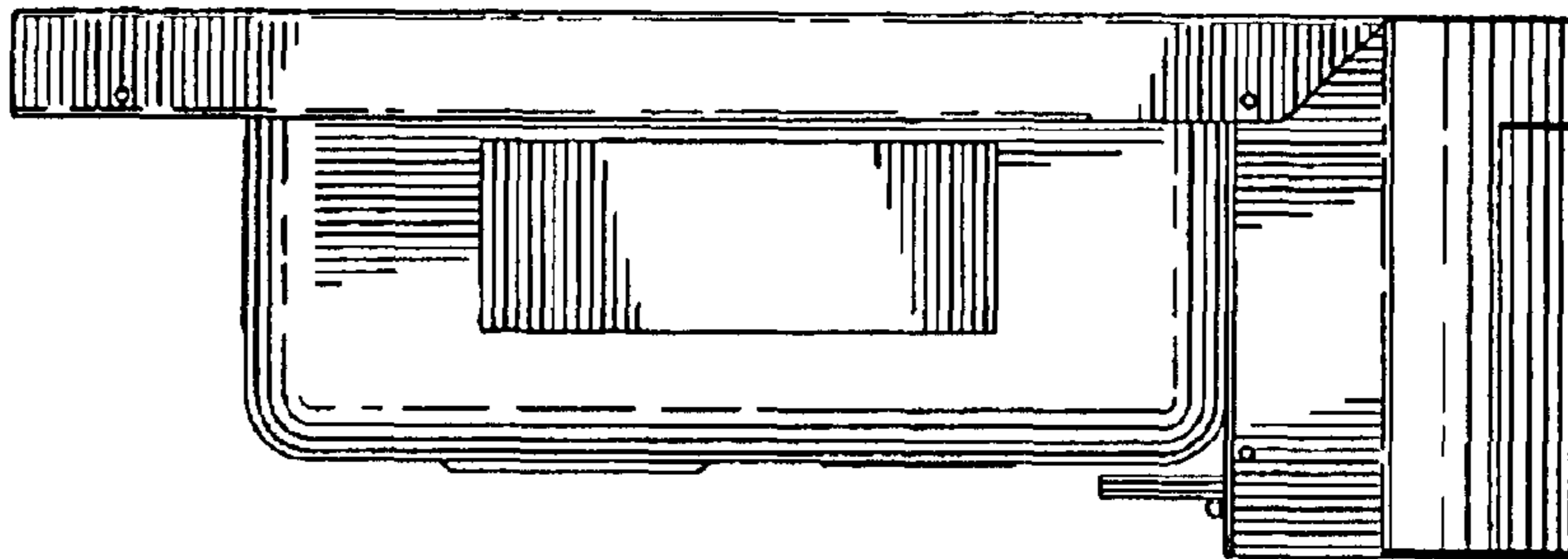


FIG. 5

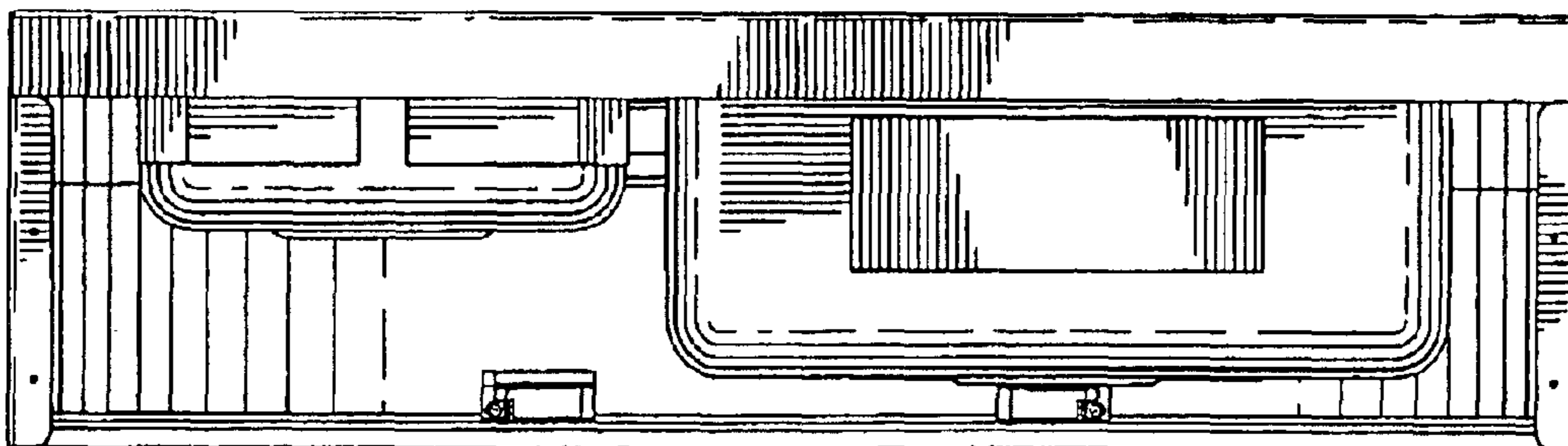


FIG. 6