

US00D499799S

(12) **United States Design Patent**
Trépanier

(10) **Patent No.:** **US D499,799 S**

(45) **Date of Patent:** **** Dec. 14, 2004**

(54) **SINK**

(75) **Inventor:** **Gaston Trépanier, Québec (CA)**

(73) **Assignee:** **Julien Inc., Quebec (CA)**

(**) **Term:** **14 Years**

(21) **Appl. No.:** **29/203,944**

(22) **Filed:** **Apr. 21, 2004**

(30) **Foreign Application Priority Data**

Jan. 15, 2004 (CA) 105599

(51) **LOC (7) Cl.** **23-02**

(52) **U.S. Cl.** **D23/286**

(58) **Field of Search** D23/270-273,
D23/284-287, 293.1, 303, 308; 4/662-666,
619, 630-631, 637-640, 654, 650-652,
661; D6/510, 441, 446

(56) **References Cited**

U.S. PATENT DOCUMENTS

D140,057 S * 1/1945 Motter D23/286

D313,068 S * 12/1990 Kohler et al. D23/293.1
D317,357 S * 6/1991 Blanc et al. D23/290
D318,105 S * 7/1991 Kohler et al. D23/292

* cited by examiner

Primary Examiner—Robert A. Delehanty

(74) *Attorney, Agent, or Firm*—Holland & Knight LLP

(57) **CLAIM**

The ornamental design for a sink, as shown and described.

DESCRIPTION

FIG. 1 is a front perspective view of a sink, showing my new design;

FIG. 2 is a top plan view thereof;

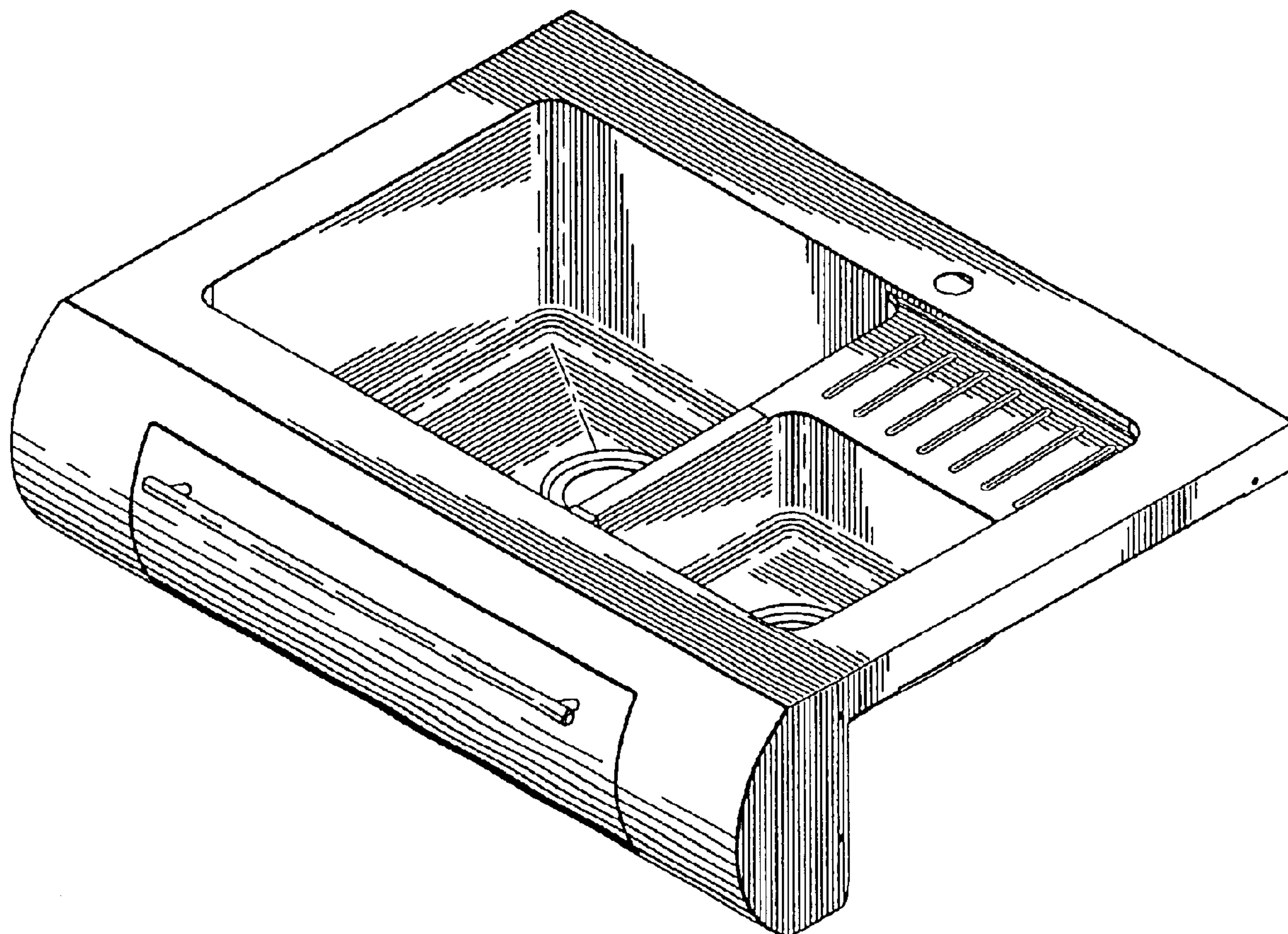
FIG. 3 is a front elevation view thereof;

FIG. 4 is a right side elevation view thereof;

FIG. 5 is a left side elevation view thereof; and,

FIG. 6 is a rear elevation view thereof.

1 Claim, 3 Drawing Sheets



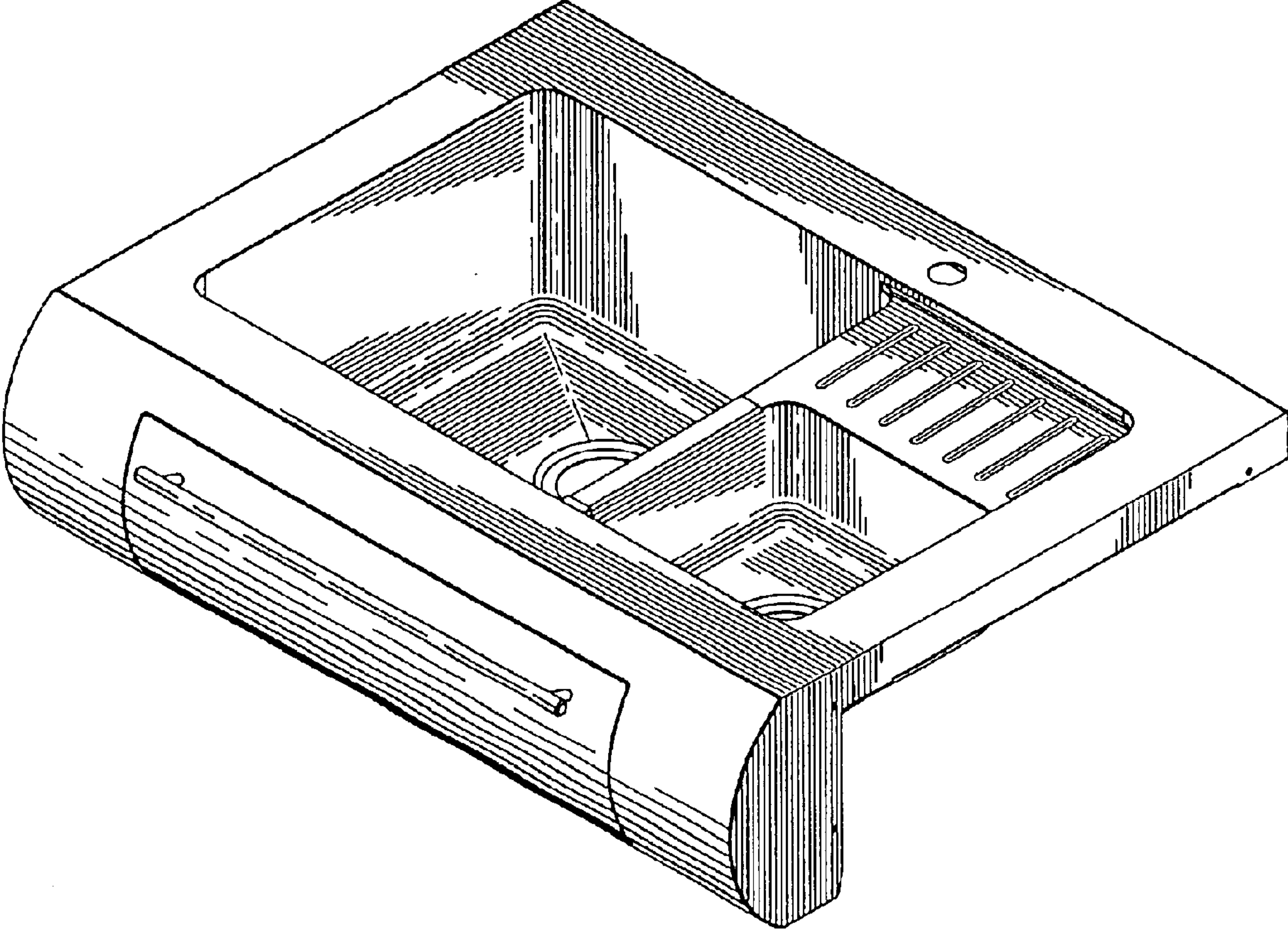


FIG. 1

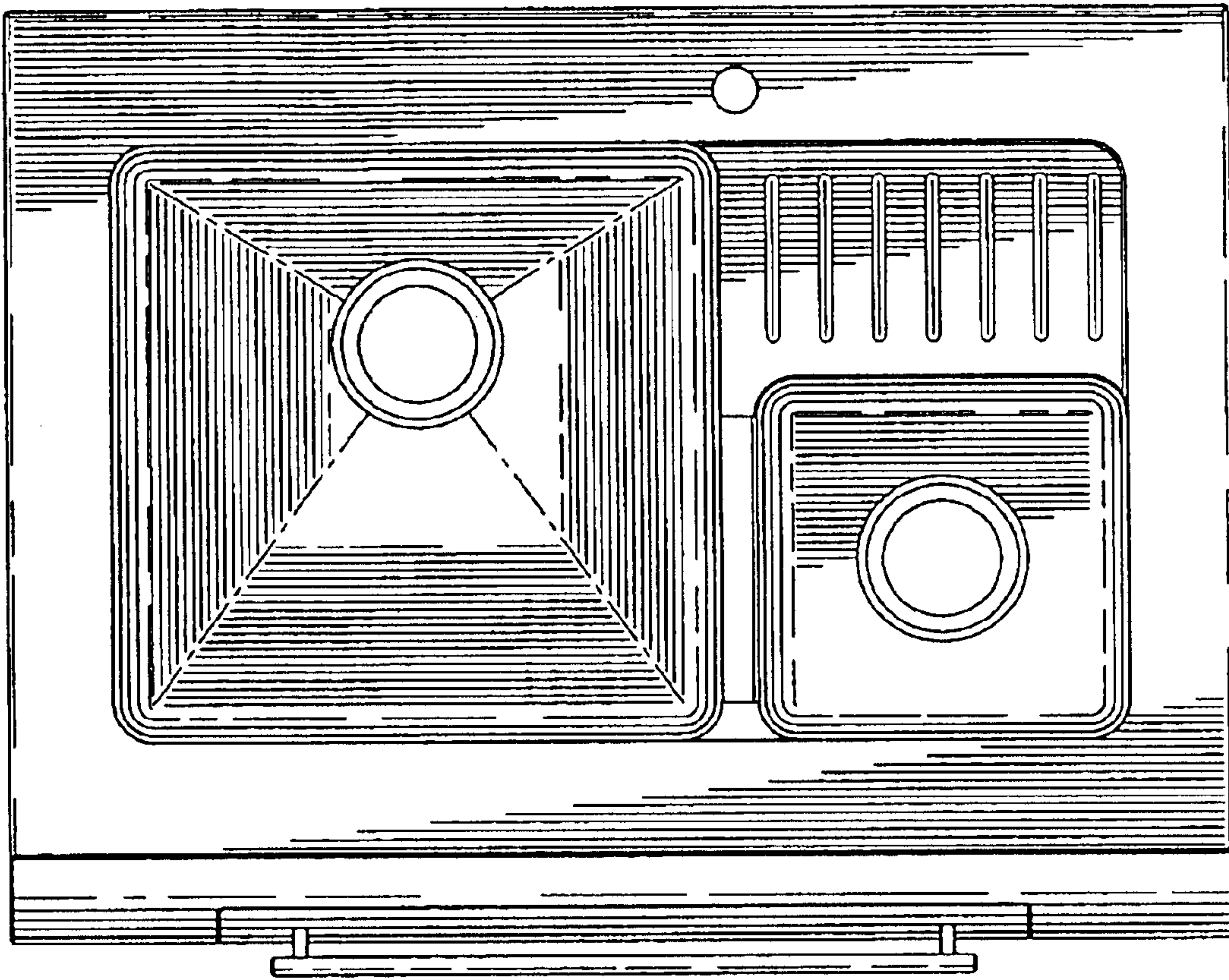


FIG. 2

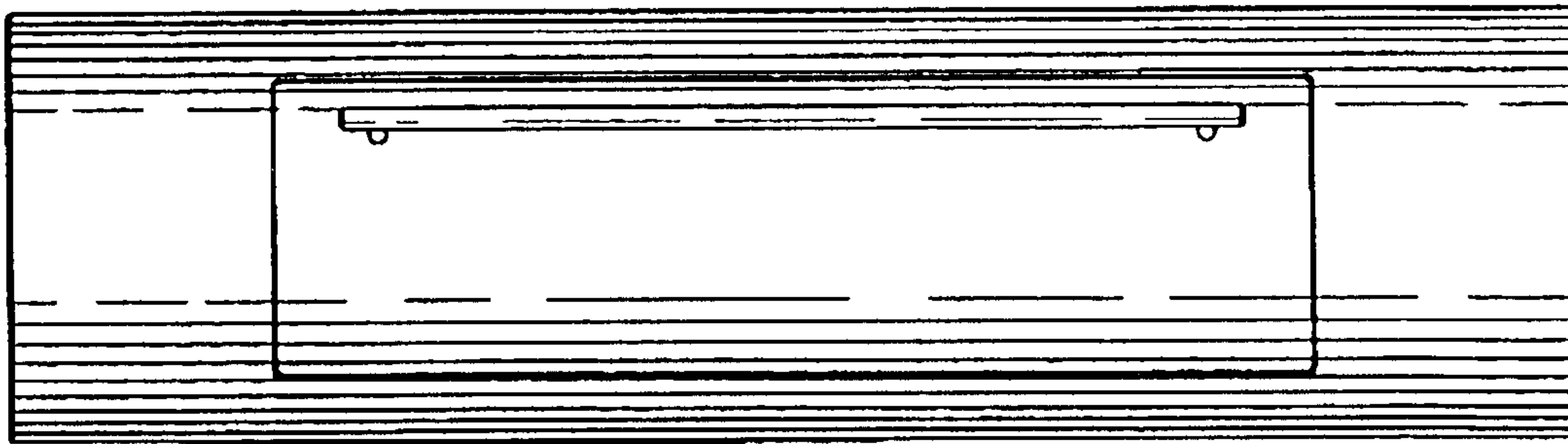


FIG. 3

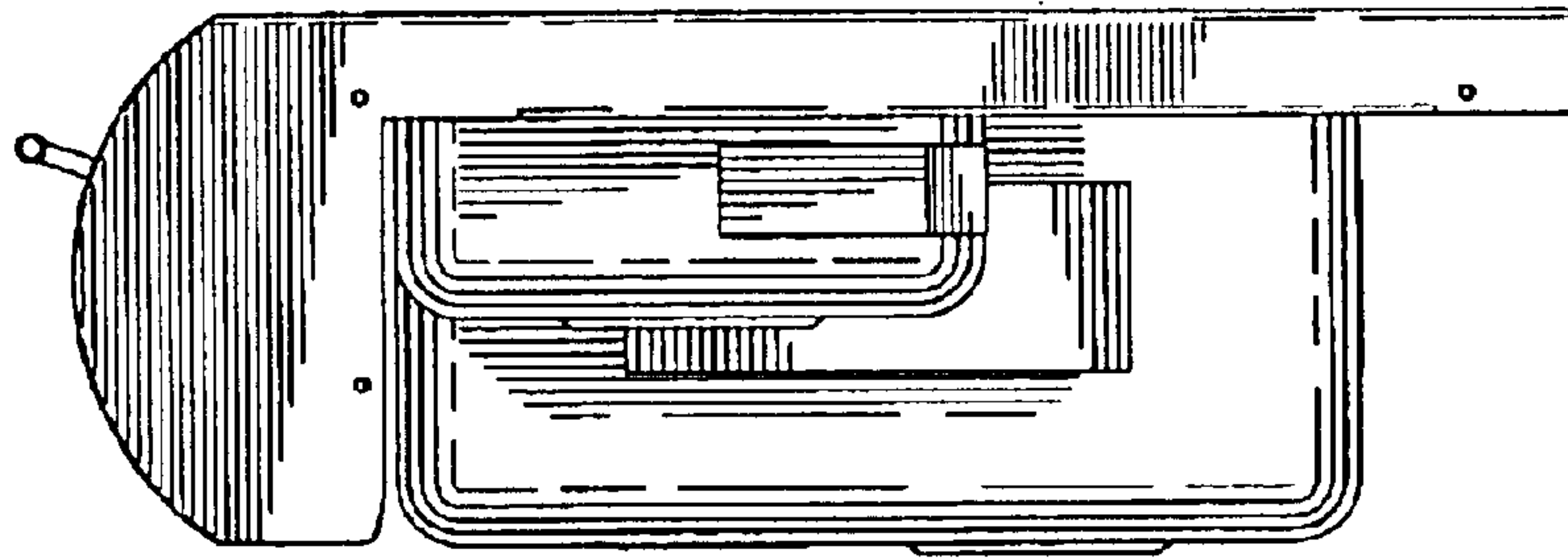


FIG. 4

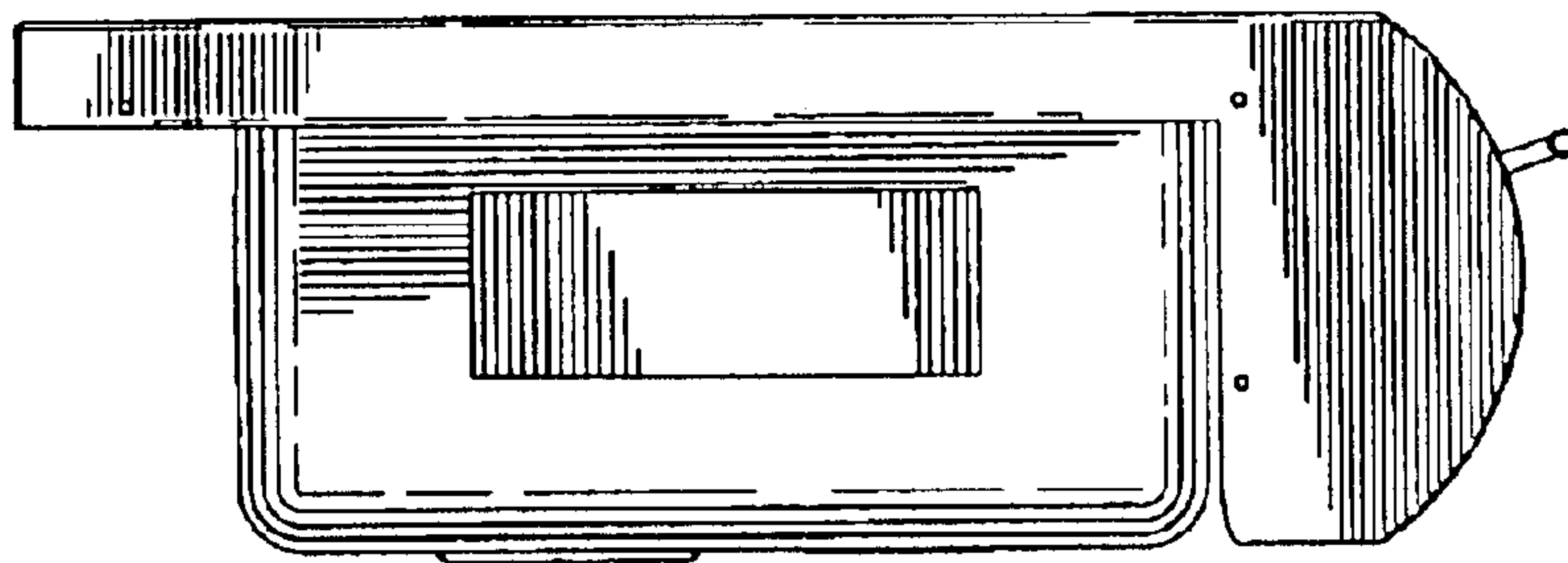


FIG. 5

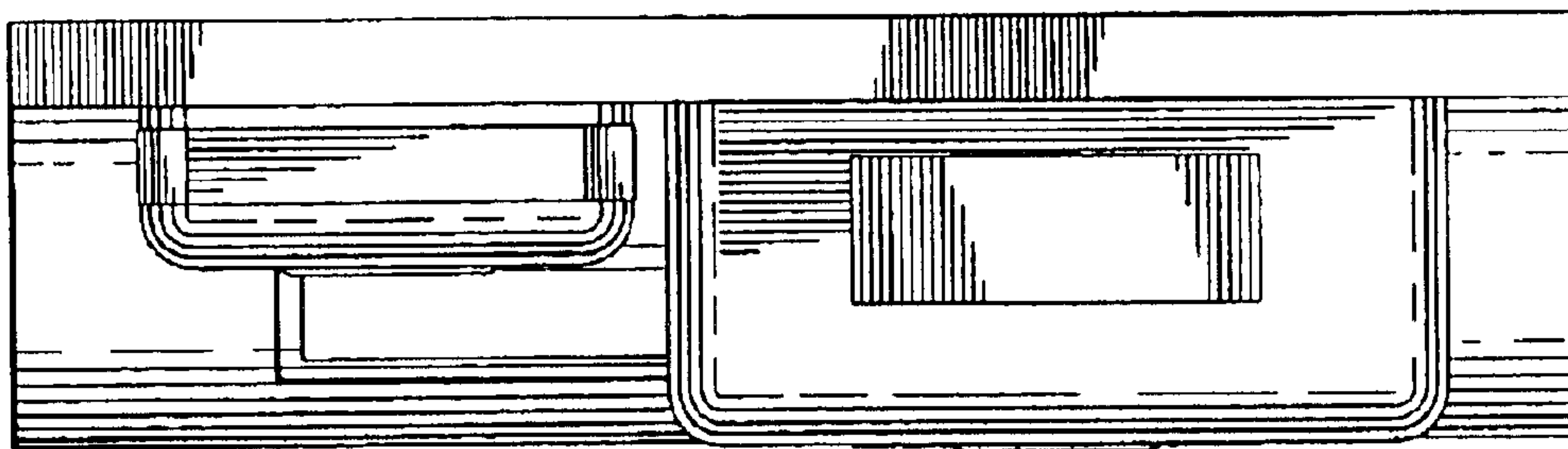


FIG. 6