

US00D499798S

(12) **United States Design Patent**  
**Pan**

(10) **Patent No.:** **US D499,798 S**

(45) **Date of Patent:** **\*\* Dec. 14, 2004**

(54) **WASH BASIN STAND**

(76) **Inventor:** **Chin-Chi Pan**, No. 99, Sec. 3, Chang Tsao Rd., Ho Me Chen, Changhua Hsien (TW)

(\*\*) **Term:** **14 Years**

(21) **Appl. No.:** **29/196,802**

(22) **Filed:** **Jan. 7, 2004**

(51) **LOC (7) Cl.** ..... **23-02**

(52) **U.S. Cl.** ..... **D23/286**

(58) **Field of Search** ..... D23/270-273,  
D23/286, 303, 308; 4/662-666, 619, 630-631,  
637-638, 654, 650-652, 661; D6/480, 484,  
485, 436

(56) **References Cited**

**U.S. PATENT DOCUMENTS**

D332,362 S \* 1/1993 Lewis ..... D6/480  
D479,315 S \* 9/2003 Basey ..... D23/286

\* cited by examiner

*Primary Examiner*—Robert A. Delehanty  
(74) *Attorney, Agent, or Firm*—Dennison, Schultz,  
Dougherty & MacDonald

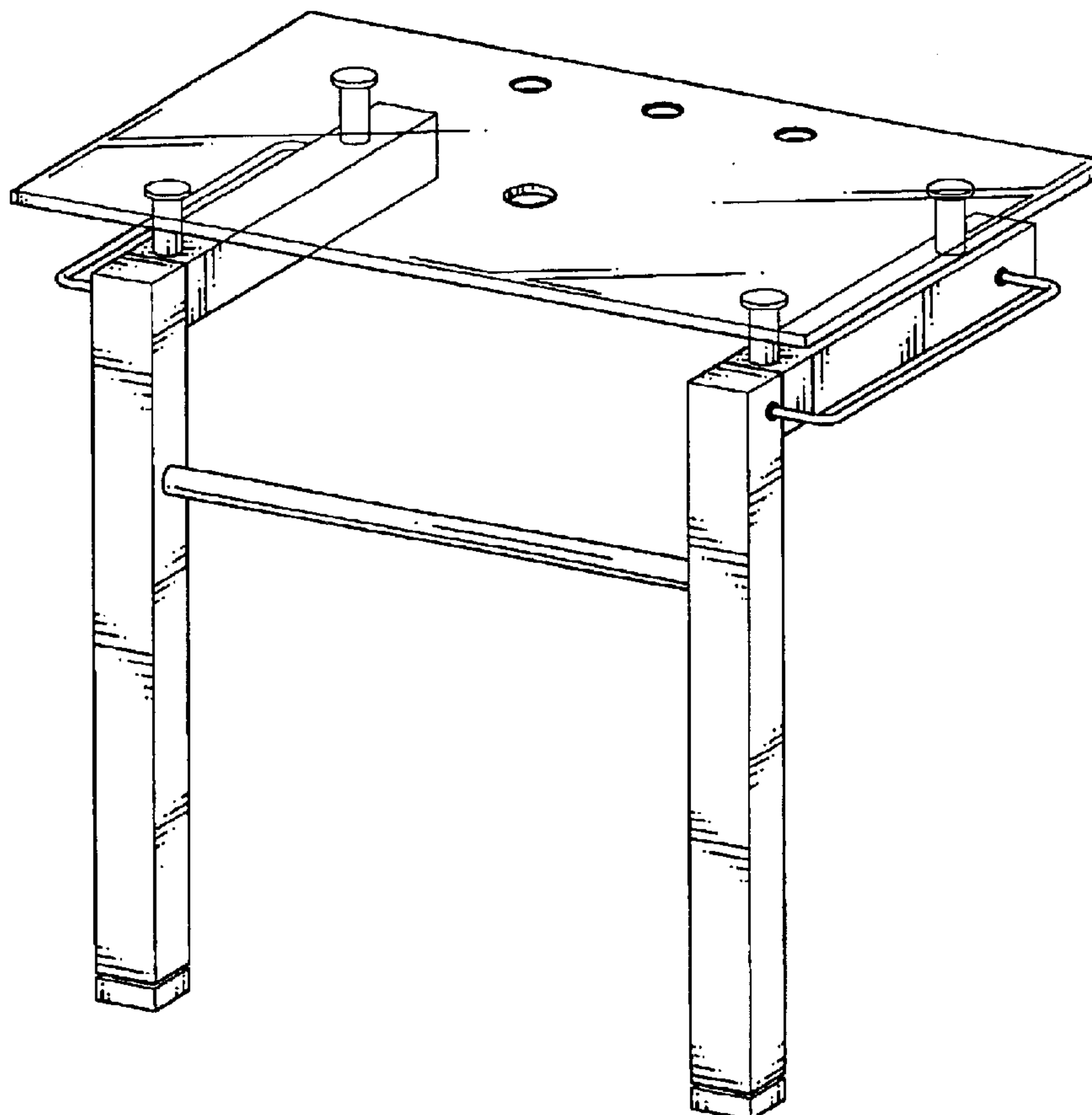
(57) **CLAIM**

The ornamental design for a wash basin stand, as shown and described.

**DESCRIPTION**

FIG. 1 is a perspective view of a wash basin stand, showing my new design;  
FIG. 2 is a front elevational view thereof;  
FIG. 3 is a rear elevational view thereof;  
FIG. 4 is a left elevational view thereof;  
FIG. 5 is a right elevational view thereof;  
FIG. 6 is top plan view thereof;  
FIG. 7 is a bottom plan view thereof; and,  
FIG. 8 is a perspective view showing an embodiment of the claimed design, wherein the broken lines are shown for illustrative purposes only and form no part of the claimed design.

**1 Claim, 7 Drawing Sheets**



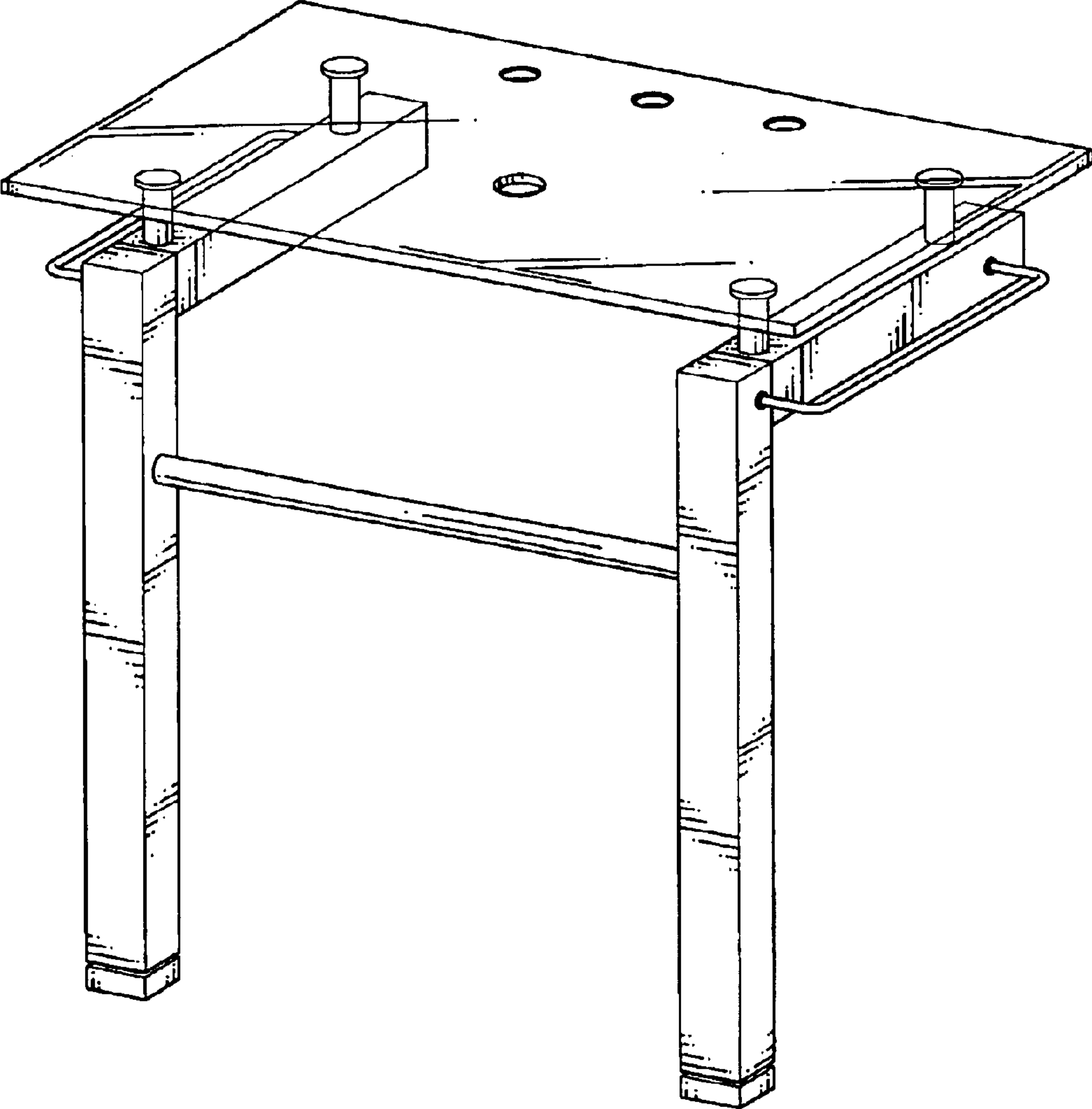


FIG. 1

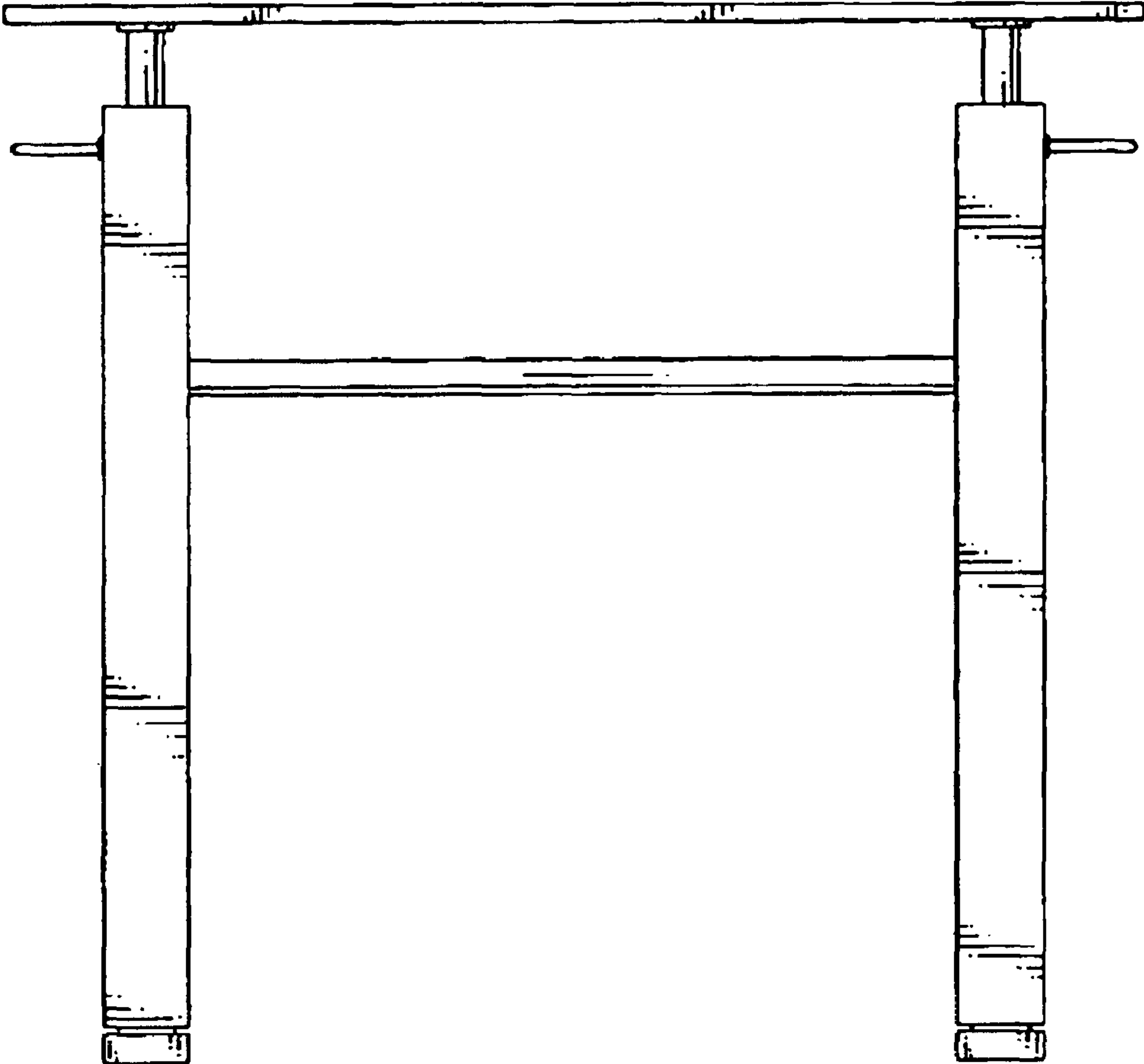


FIG. 2

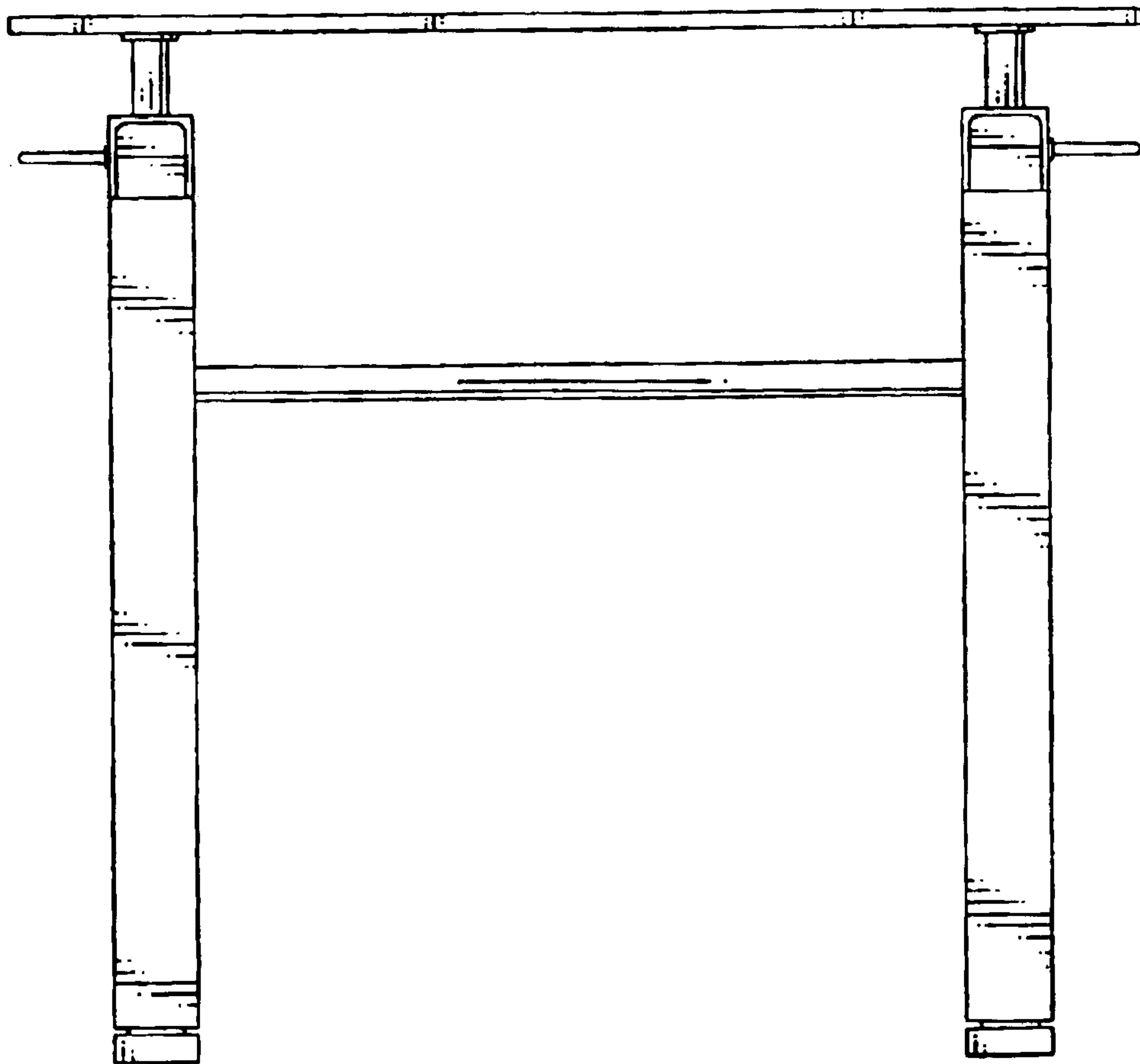


FIG. 3

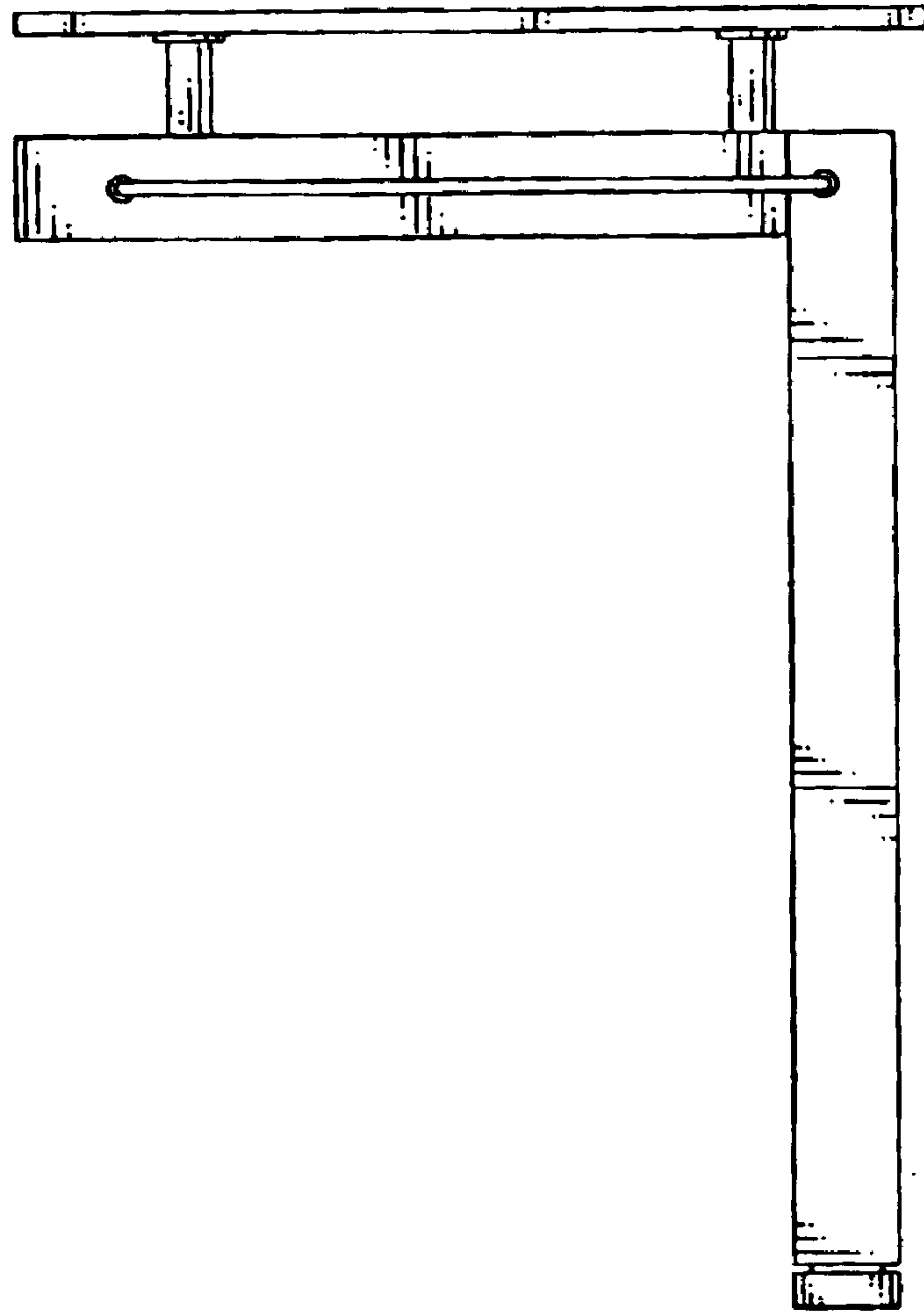


FIG. 4

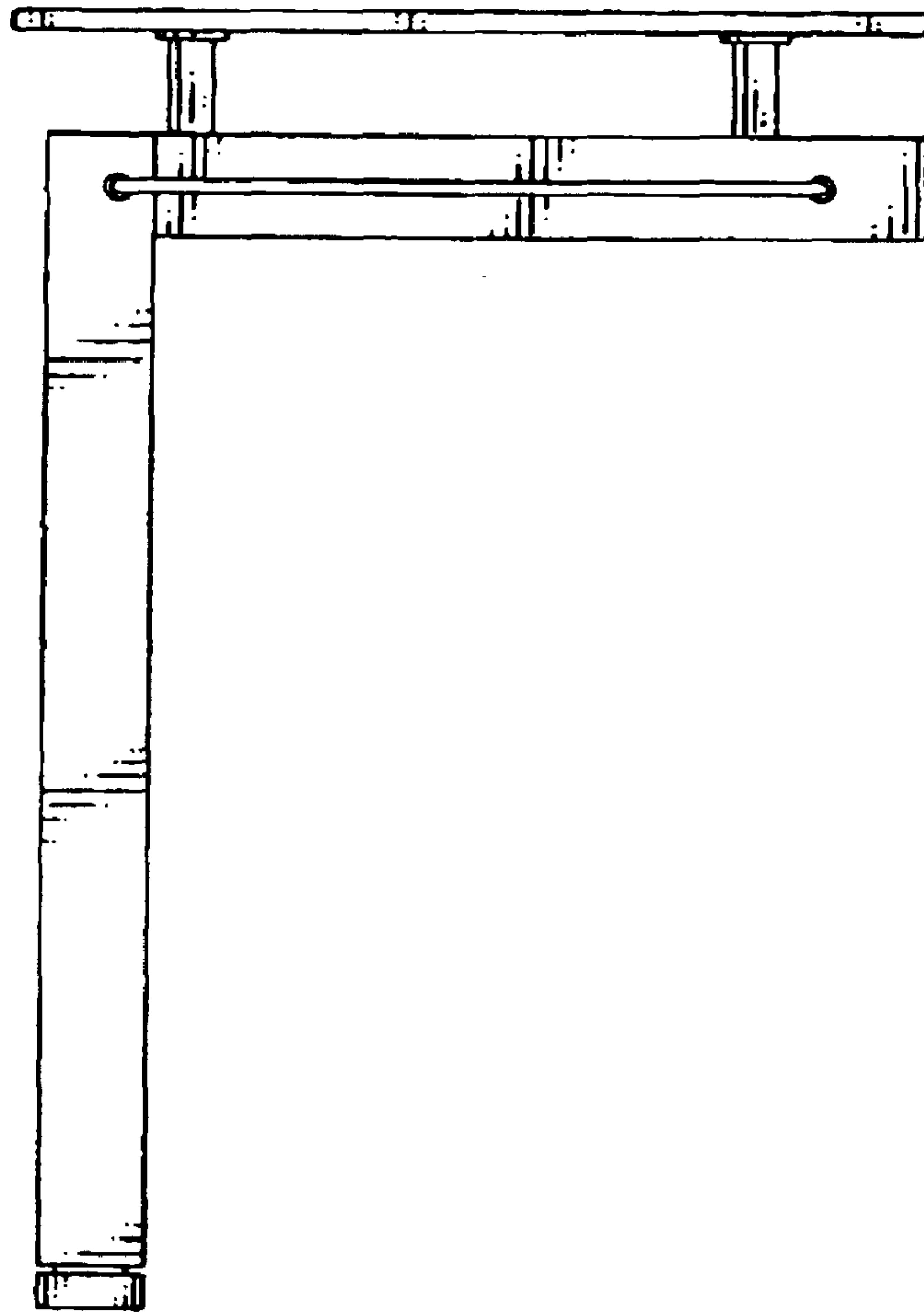


FIG. 5

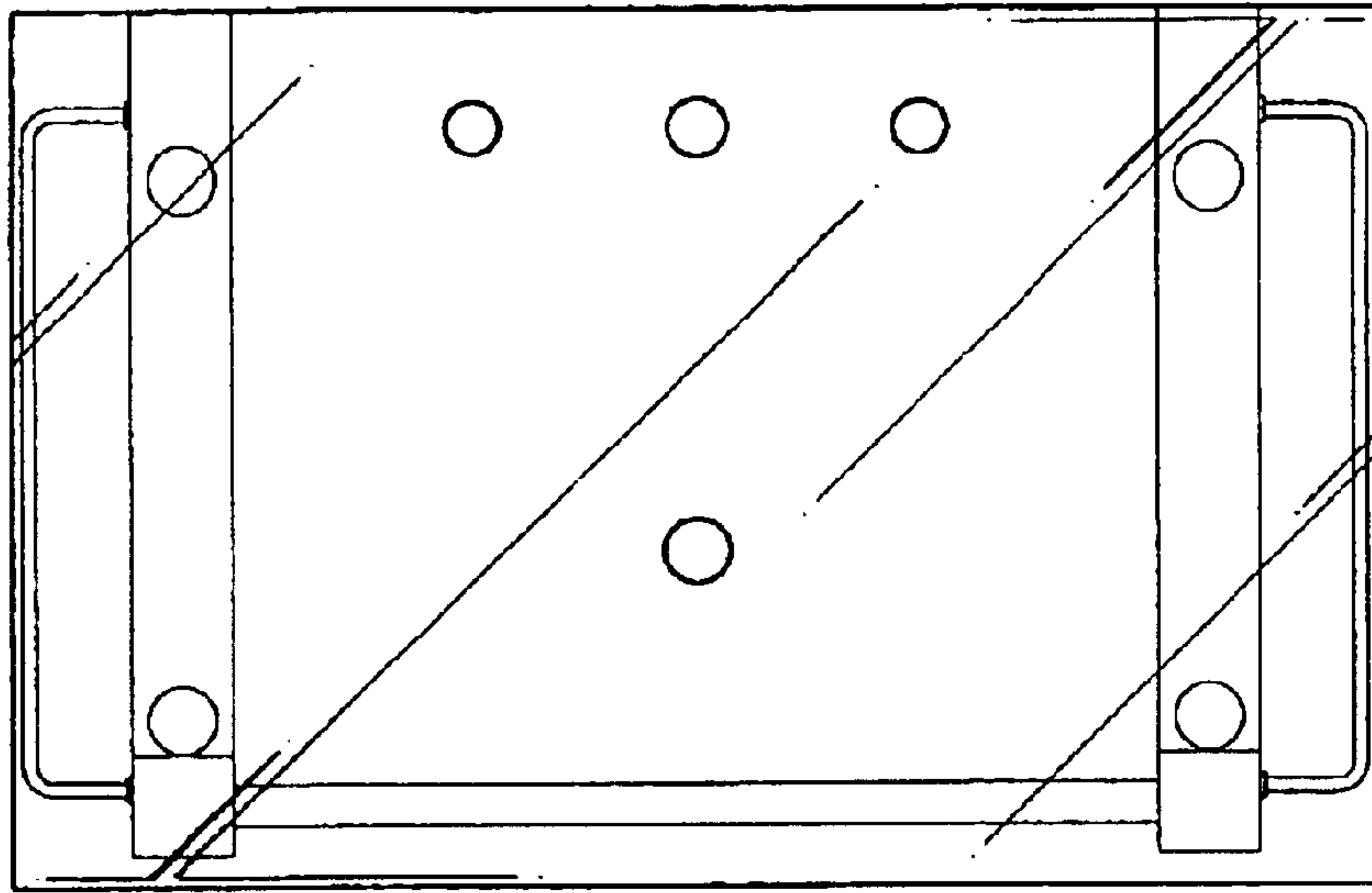


FIG. 6

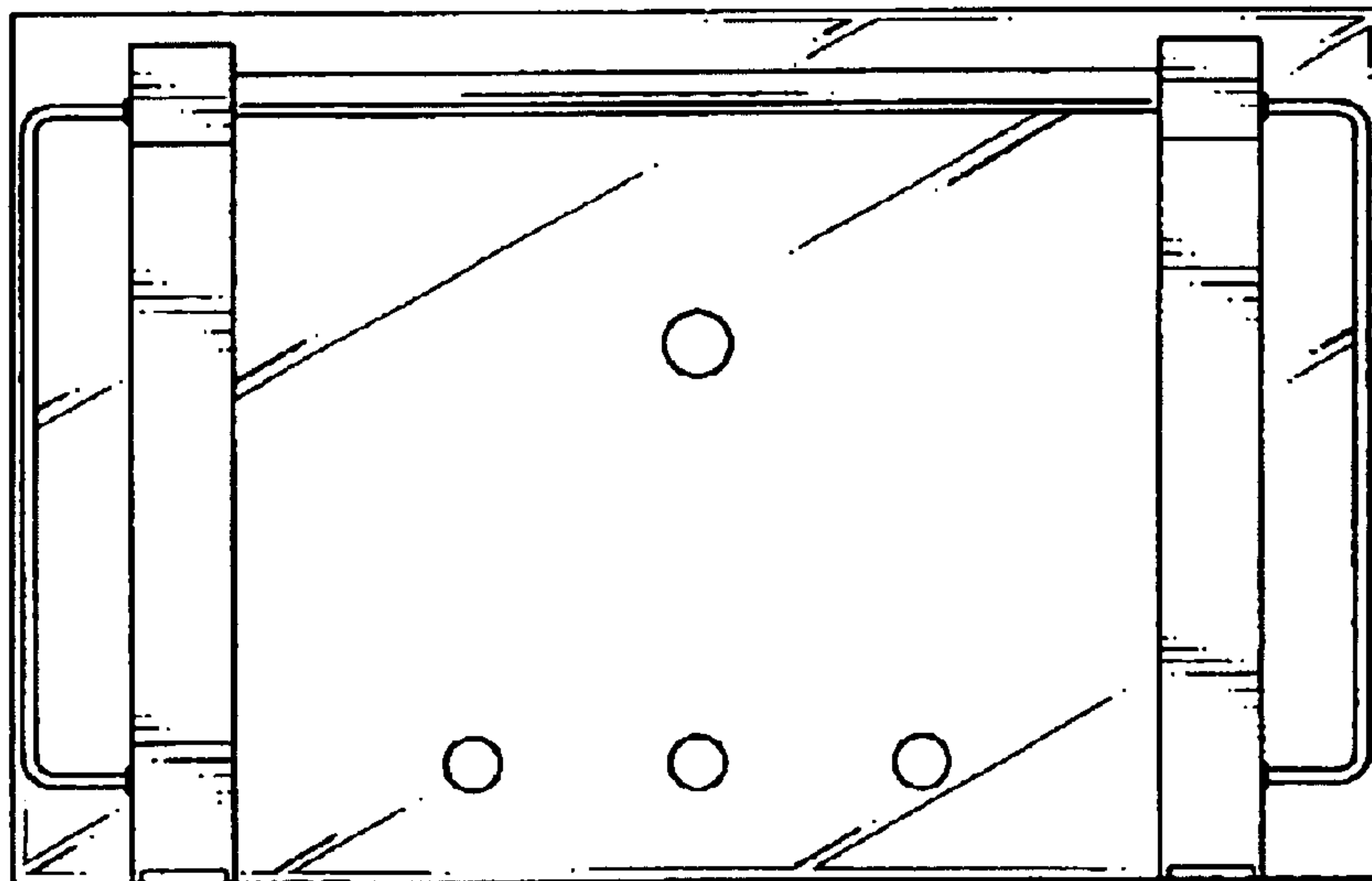


FIG. 7

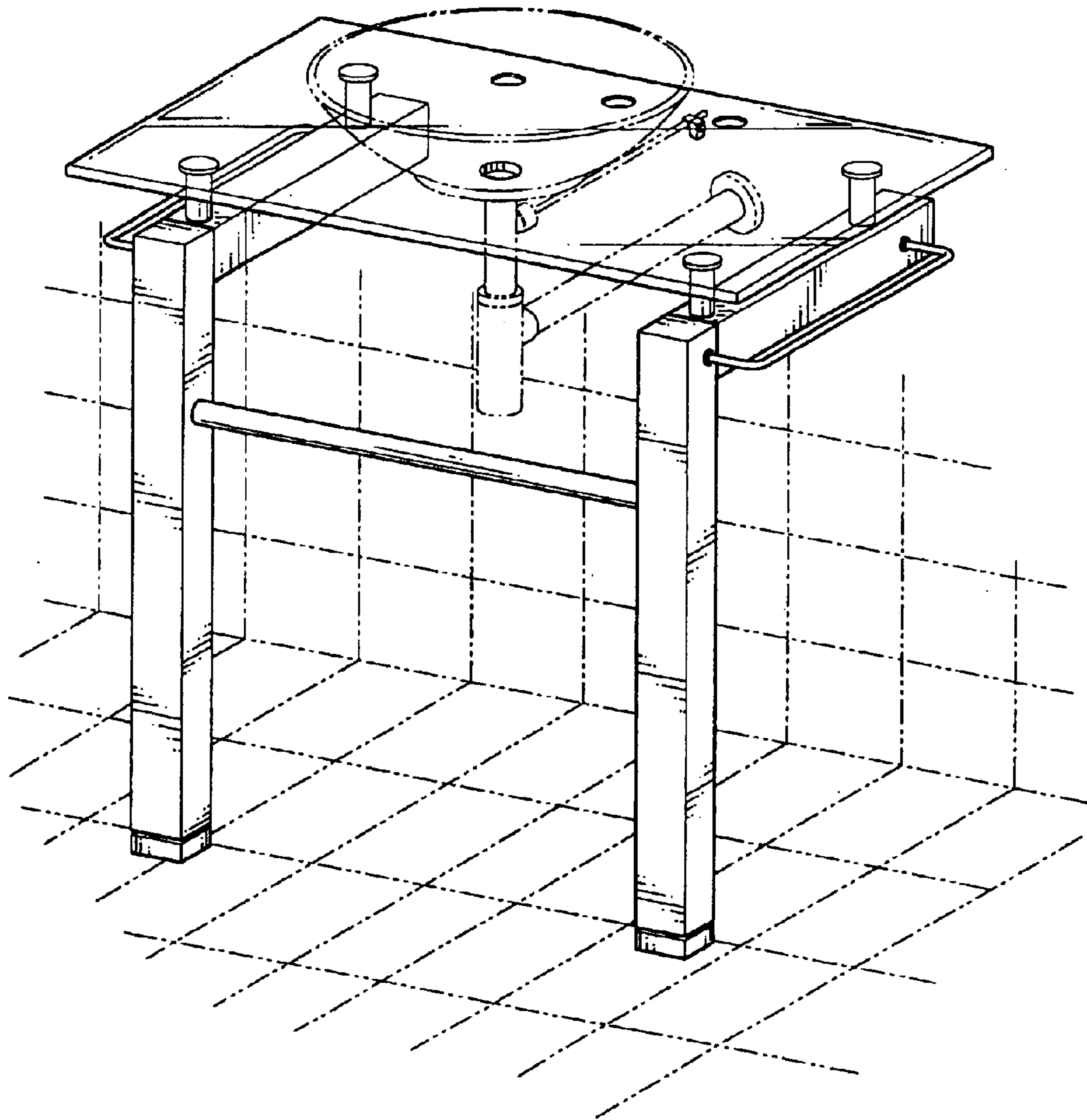


FIG. 8