



US00D499797S

(12) **United States Design Patent** (10) **Patent No.:** **US D499,797 S**  
**Bates** (45) **Date of Patent:** **\*\* Dec. 14, 2004**

(54) **LAVATORY**

(75) Inventor: **Michael R. Bates**, Sheboygan, WI (US)

(73) Assignee: **Kohler Co.**, Kohler, WI (US)

(\*\*) Term: **14 Years**

(21) Appl. No.: **29/202,602**

(22) Filed: **Apr. 1, 2004**

(51) **LOC (7) Cl.** ..... **23-01**

(52) **U.S. Cl.** ..... **D23/284**

(58) **Field of Search** ..... D23/270-273,  
D23/284-285, 289, 292-293.1, 303, 308;  
4/662-666, 619, 643, 661

(56) **References Cited**

**U.S. PATENT DOCUMENTS**

- D387,857 S 12/1997 McKeone
- D391,353 S \* 2/1998 McKeone ..... D23/284
- D415,261 S \* 10/1999 Thomas ..... D23/284
- D416,991 S \* 11/1999 Caplow ..... D23/284

**OTHER PUBLICATIONS**

- Kohler; Undercounter Lavatories; Ladena catalog p. 14.36.
- Kohler; Stainless Steel Kitchen Sinks; Poise catalog p. 16.41.
- Kallista; P72027 Barbara Barry Undercounter Basin for Him; catalog p. 1.13.

Kohler; Kohler Design Data; Vitreous China; Le Gran Pedestal Lavatory catalog p. 8-2b; dated 4/89.

\* cited by examiner

*Primary Examiner*—Robert A. Delehanty

(74) *Attorney, Agent, or Firm*—Quarles & Brady LLP

(57) **CLAIM**

The ornamental design for a lavatory, as shown and described.

**DESCRIPTION**

In a preferred embodiment, the nature of this product is as a plumbing fixture in the form of a lavatory which is primarily useful for washing the body parts of humans.

FIG. 1 is a right, top, front perspective view of a lavatory embodying my new design;

FIG. 2 is a top plan view thereof;

FIG. 3 is a front elevational view thereof;

FIG. 4 is a right side elevational view thereof, the left side elevational view thereof being a mirror image of the right side shown;

FIG. 5 is a rear elevational view thereof;

FIG. 6 is a bottom plan view thereof; and,

FIG. 7 is a cross-sectional view thereof taken along line 7-7 of FIG. 2.

The broken line representations of an outer rim in the figures are for the purpose of illustration only, and form no part of the claimed design.

**1 Claim, 3 Drawing Sheets**

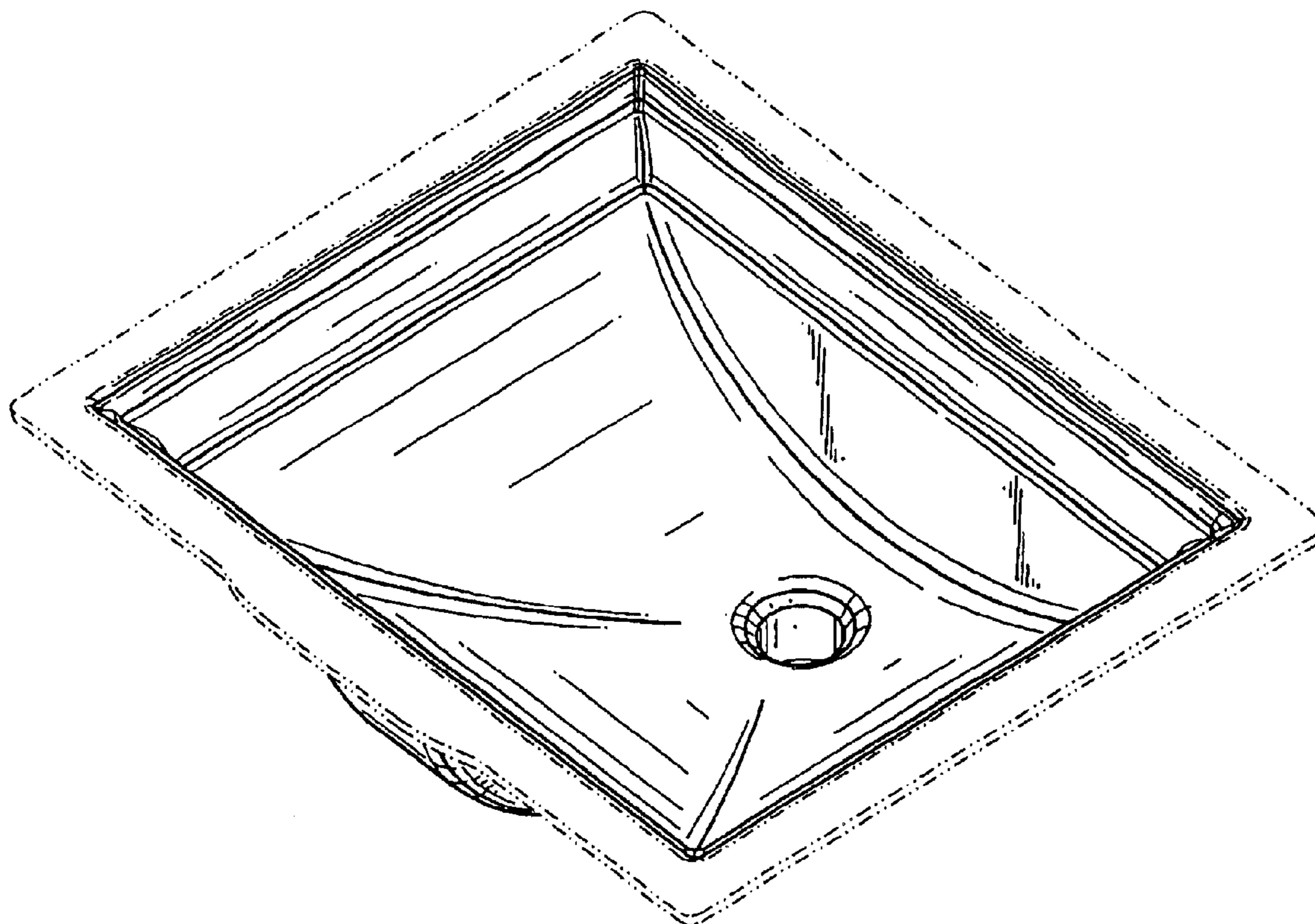


FIG. 1

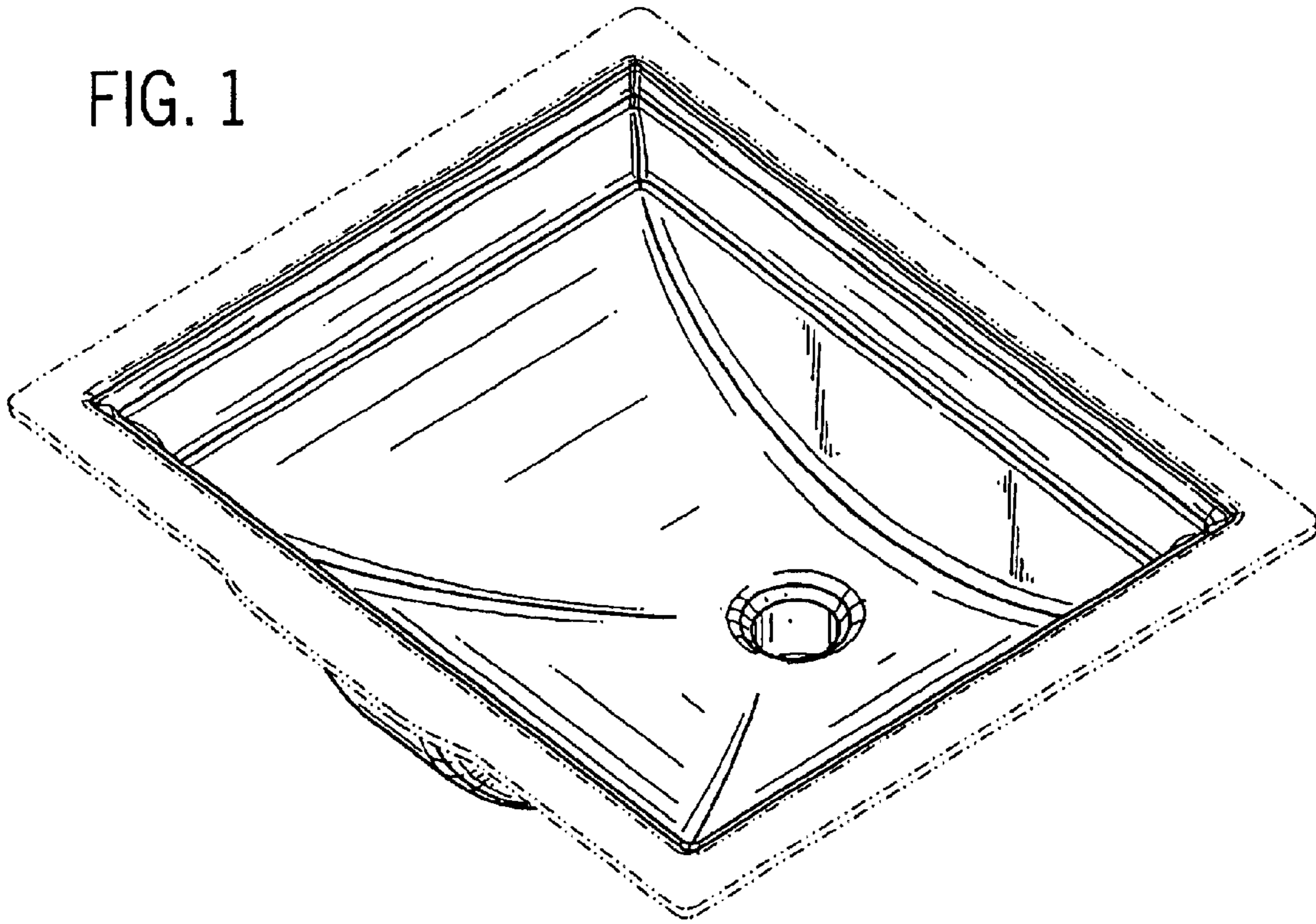


FIG. 2

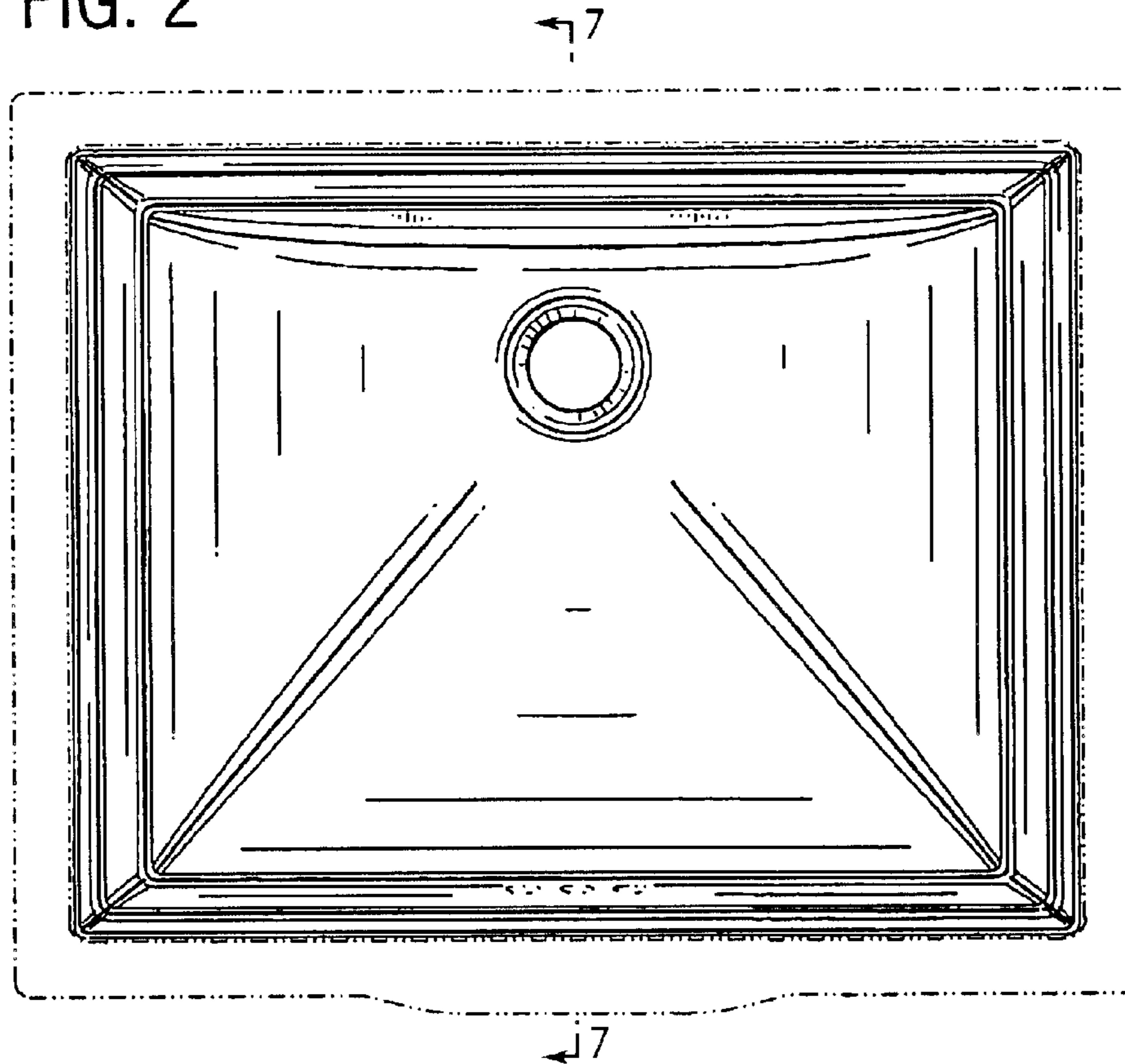


FIG. 3

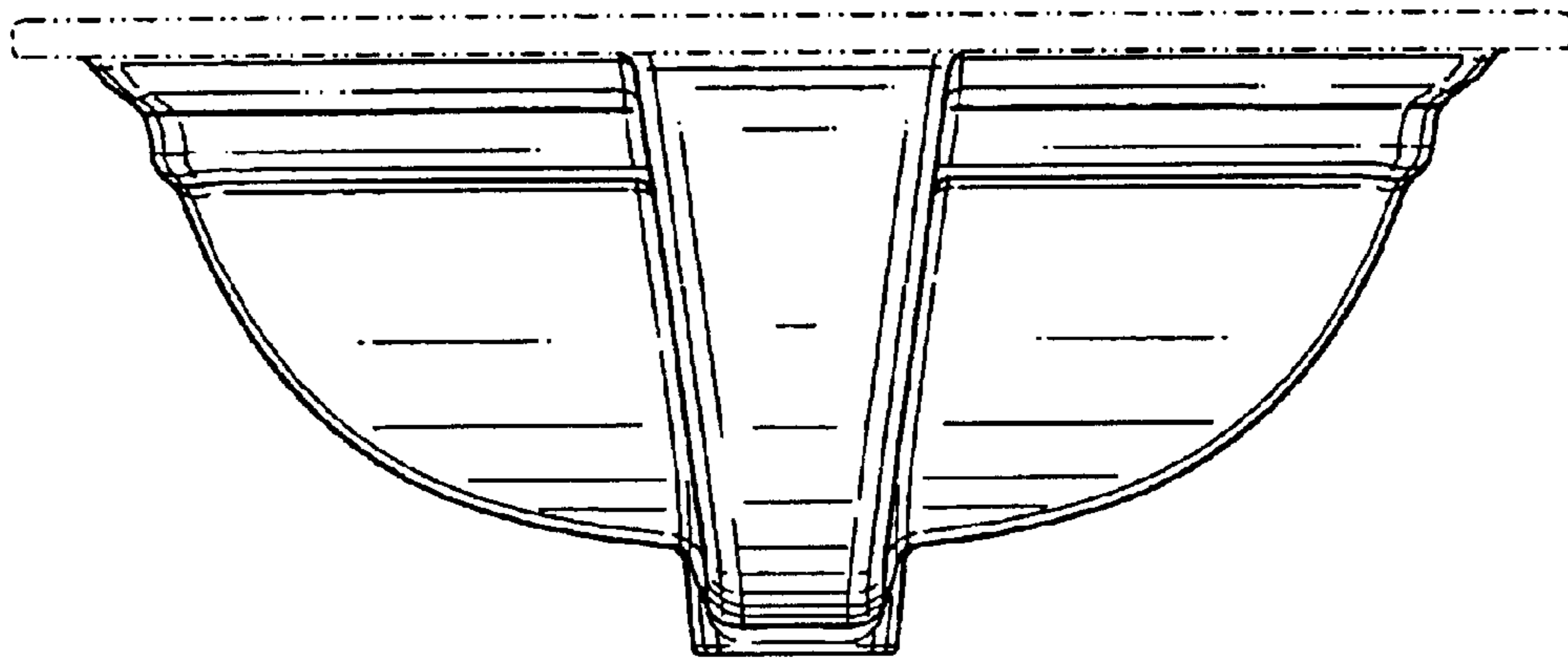


FIG. 4

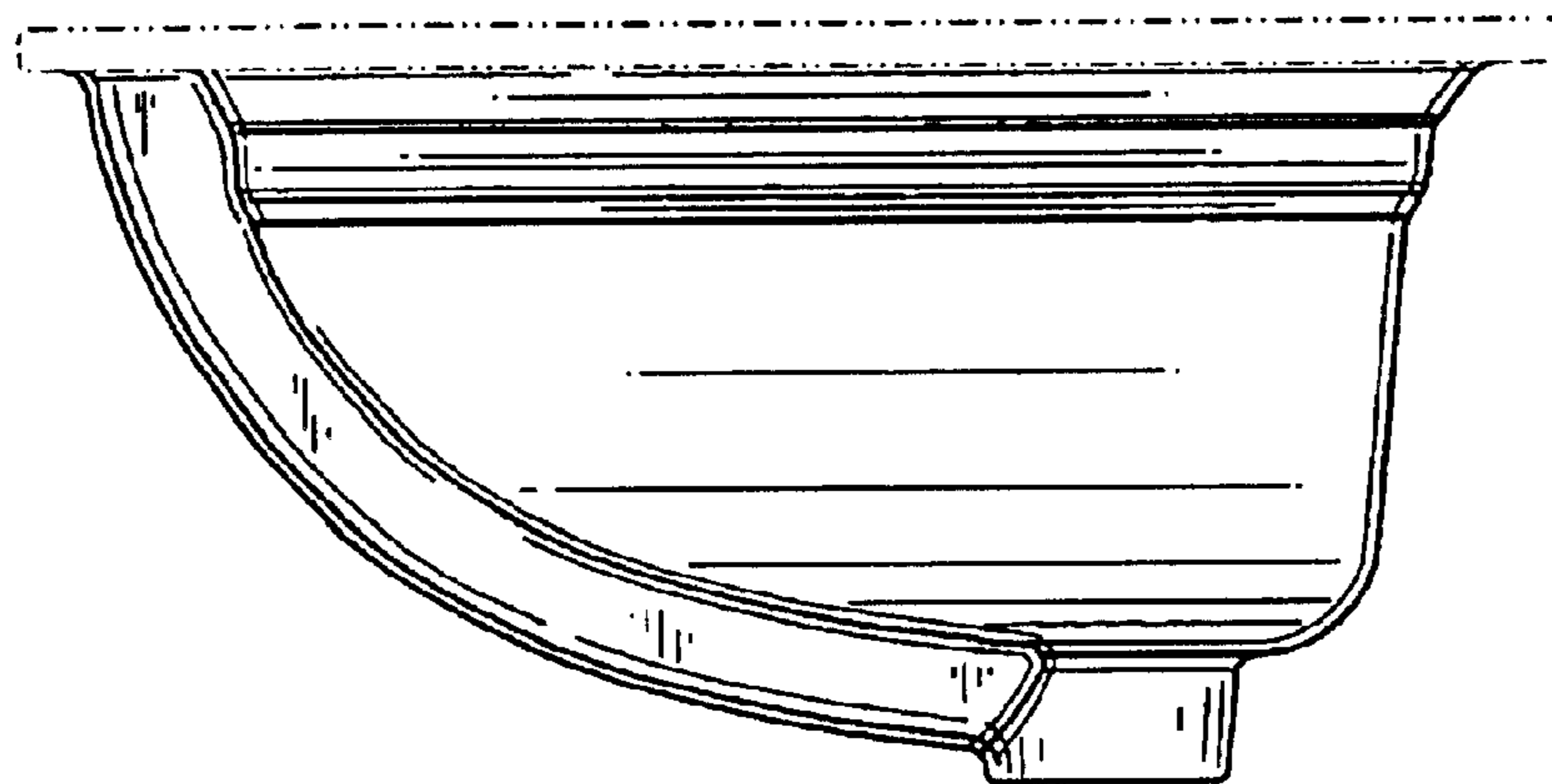


FIG. 5

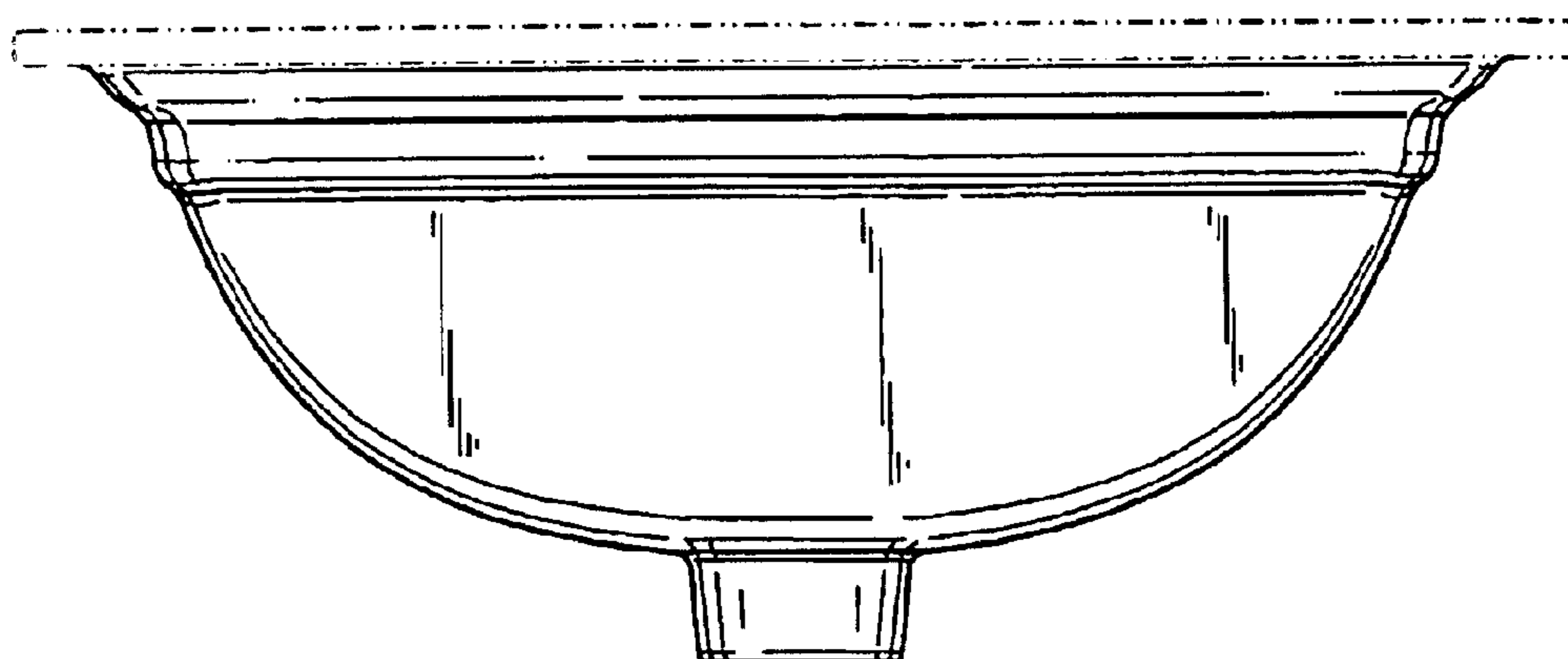


FIG. 6

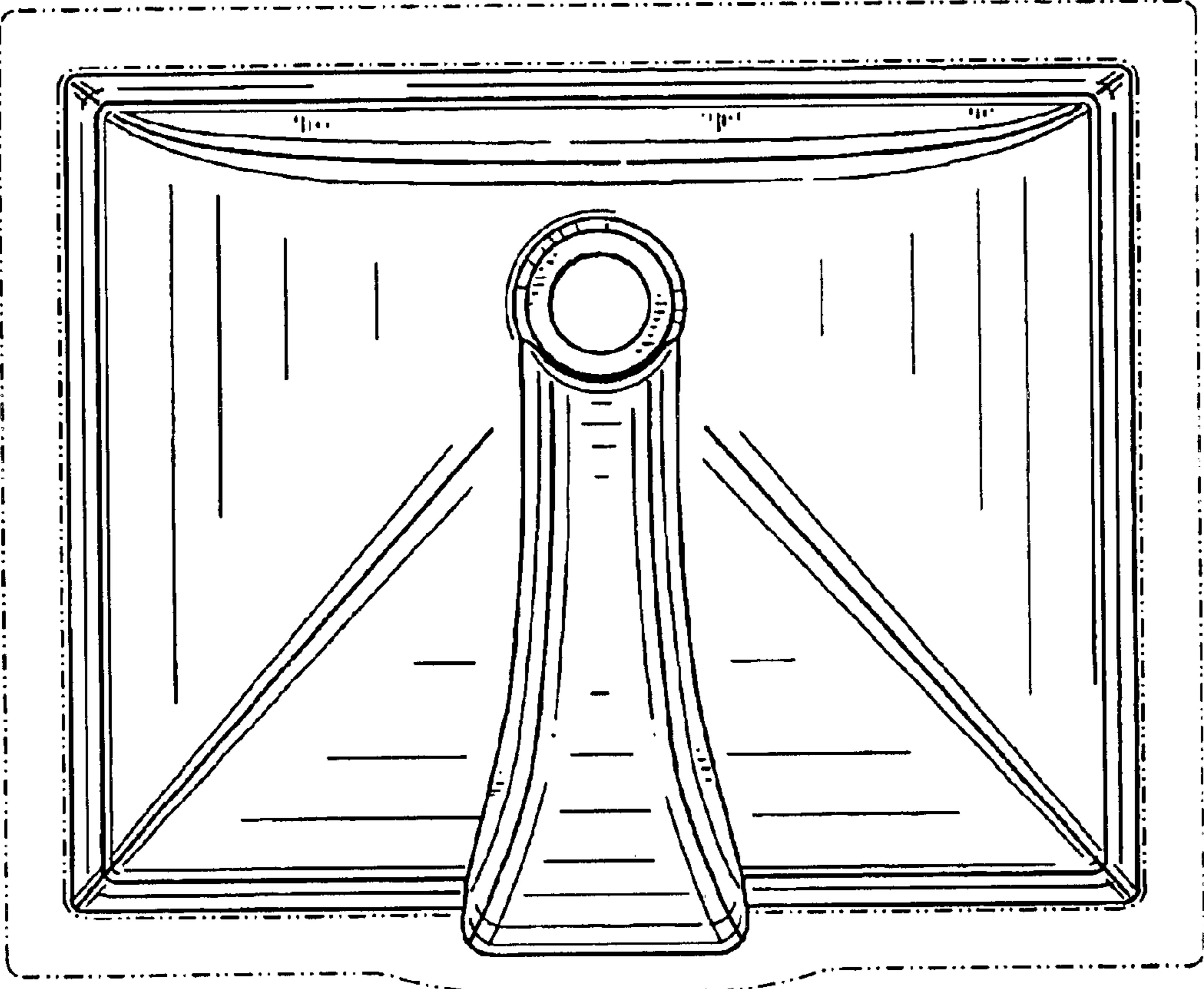


FIG. 7

