



US00D499793S

(12) **United States Design Patent** (10) **Patent No.:** **US D499,793 S**  
**Danby et al.** (45) **Date of Patent:** **\*\* Dec. 14, 2004**

(54) **VALVE**

(75) Inventors: **Hal C. Danby**, Chilton (GB); **Julian F. R. Swan**, Ealing (GB)

(73) Assignee: **Baxter International Inc.**, Deerfield, IL (US)

(\*\*) Term: **14 Years**

(21) Appl. No.: **29/177,855**

(22) Filed: **Mar. 17, 2003**

(51) **LOC (7) Cl.** ..... **23-01**

(52) **U.S. Cl.** ..... **D23/233**

(58) **Field of Search** ..... D23/233-245;  
137/494, 846, 907-908, 509, 511; 251/5;  
220/705, 715; 222/509

(56) **References Cited**

**U.S. PATENT DOCUMENTS**

274,447 A	3/1883	Kennish	
1,893,401 A	1/1933	De Jesus-Angeles	
2,555,490 A	6/1951	Horn	
2,893,381 A	7/1959	Black	
3,104,787 A	* 9/1963	Thompson	222/490
3,187,965 A	* 6/1965	Bourget	222/518
3,356,267 A	12/1967	Scholle	
3,517,682 A	* 6/1970	Smith	137/68.23
3,608,574 A	9/1971	Beaussant	
3,746,036 A	7/1973	Du Bois et al.	
3,752,366 A	8/1973	Lawrence, Jr.	
3,754,690 A	8/1973	Marchant	
3,768,970 A	10/1973	Malmin	
3,822,720 A	* 7/1974	Souza	137/846
4,071,025 A	1/1978	Kohnke	
4,102,476 A	7/1978	Loeffler	

(List continued on next page.)

**FOREIGN PATENT DOCUMENTS**

AU	B-77302/87	2/1988
AU	B-83126/87	7/1988

(List continued on next page.)

**OTHER PUBLICATIONS**

Sample of a Source Vagabond Systems, Inc. valve.

*Primary Examiner*—Nelson C. Holtje

(74) *Attorney, Agent, or Firm*—Joseph P. Reagen; Wallenstein, Wagner & Rockey, Ltd.

(57) **CLAIM**

What is claimed is the ornamental design for a valve, as shown and described.

**DESCRIPTION**

FIG. 1 is a front perspective view of a valve showing my new design.

FIG. 2 is a top plan view of the valve.

FIG. 3 is a front elevation view of the valve.

FIG. 4 is a rear elevation view of the valve.

FIG. 5 is a side elevation view of the valve, the opposite side view being identical thereto.

FIG. 6 is a front perspective view of an alternative embodiment of the valve of FIGS. 1-5, the valve of FIG. 6 having additional structural portions of the valve shown in phantom lines.

FIG. 7 is a top plan view of an alternate embodiment of the valve of FIGS. 1-5, the valve of FIG. 7 having additional structural portions of the valve shown in phantom lines.

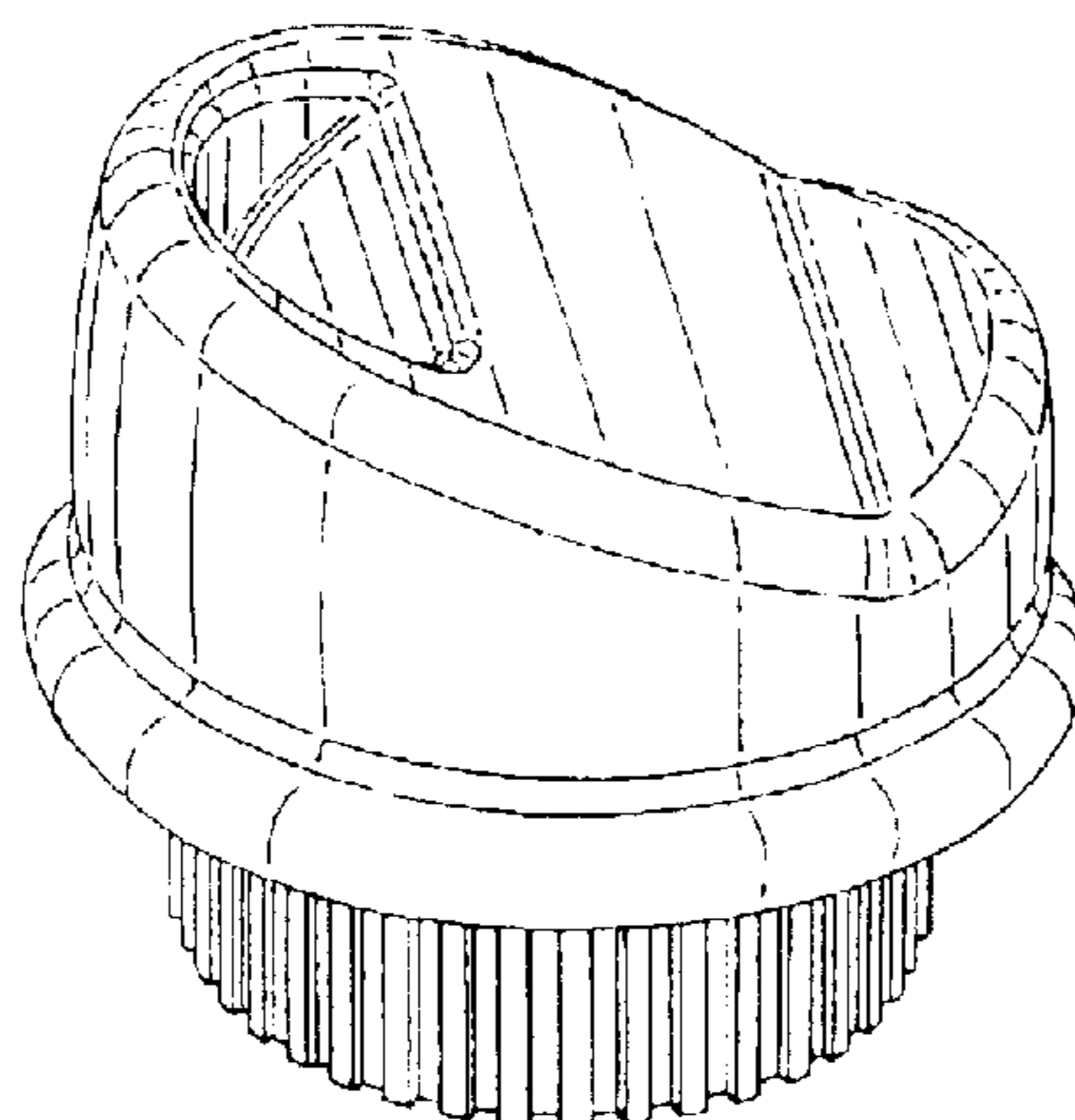
FIG. 8 is a front elevation view of an alternate embodiment of the valve of FIGS. 1-5, the valve of FIG. 8 having additional structural portions of the valve shown in phantom lines.

FIG. 9 is a rear elevation view of an alternate embodiment of the valve of FIGS. 1-5, the valve of FIG. 9 having additional structural portions of the valve shown in phantom lines; and,

FIG. 10 is a side elevation view of an alternate embodiment of the valve of FIGS. 1-5, the valve of FIG. 10 having additional structural portions of the valve shown in phantom lines.

The broken-line disclosure is for illustrative purposes only and forms no part of the claimed design. The underside of the valve is plain and unornamented.

**1 Claim, 2 Drawing Sheets**



# US D499,793 S

Page 2

## U.S. PATENT DOCUMENTS

4,135,513	A	1/1979	Arisland	
4,167,184	A	9/1979	Köhnke	
4,356,823	A	11/1982	Jackson	
4,420,097	A	12/1983	Motsenbocker	
4,483,465	A	11/1984	Lawrence	
4,534,542	A	8/1985	Russo	
4,621,544	A	11/1986	Re	
4,635,897	A	1/1987	Gallant	
4,662,598	A	5/1987	Weingarten	
4,693,400	A	9/1987	Frahm et al.	
4,709,900	A	12/1987	Dyhr	
4,941,598	A	7/1990	Lambelet, Jr. et al.	
5,050,758	A	9/1991	Freeman et al.	
5,076,322	A	12/1991	Choksi et al.	
5,133,324	A	7/1992	Michiaki	
5,197,638	A	3/1993	Wood	
5,238,217	A	8/1993	Fell	
5,241,985	A	9/1993	Faust et al.	
5,245,991	A	9/1993	Kawaguchi	
5,285,547	A	2/1994	Sebor	
5,299,718	A	4/1994	Shwery	
5,355,673	A	10/1994	Sterling et al.	
5,409,035	A	4/1995	Scott et al.	
5,472,123	A	12/1995	Jangaard	
5,607,073	A	3/1997	Forrer	
5,622,274	A	4/1997	Bright	
5,634,491	A	6/1997	Benedict	
5,641,012	A *	6/1997	Silversides	141/383
5,653,251	A	8/1997	Handler	
5,732,737	A	3/1998	Condon	
5,826,621	A	10/1998	Jemmott	
5,850,908	A	12/1998	Jasek	
D404,118	S *	1/1999	Hwang	D23/233
5,989,469	A	11/1999	Dirr	
6,032,831	A	3/2000	Gardner et al.	
6,050,444	A	4/2000	Sugg	
6,070,767	A	6/2000	Gardner et al.	
6,145,695	A	11/2000	Garrigues	
6,145,707	A	11/2000	Baudin	
6,148,860	A	11/2000	Sigler	
6,230,940	B1 *	5/2001	Manning et al.	222/185.1
6,247,619	B1	6/2001	Gill et al.	
6,264,166	B1	7/2001	Bowland et al.	
6,276,559	B1 *	8/2001	DeMars	220/707
6,290,090	B1	9/2001	Essebaggers	
6,305,570	B1	10/2001	Atkin et al.	
6,314,984	B1 *	11/2001	Barriendos et al.	137/223
6,334,555	B1 *	1/2002	Randall et al.	222/521
6,364,168	B1	4/2002	Gardner et al.	
6,446,844	B1 *	9/2002	Gross	222/494

6,505,986	B1 *	1/2003	Oder	401/183
6,550,493	B2	4/2003	Williamson et al.	
6,554,023	B2	4/2003	Danby et al.	
6,631,823	B2 *	10/2003	Stillinger et al.	220/714

## FOREIGN PATENT DOCUMENTS

AU	B-46621/89	6/1990
AU	B-57350/90	1/1991
AU	B-35525/93	5/1993
AU	B-32520/93	7/1993
AU	B-23138/92	9/1993
AU	B-59472/94	6/1994
AU	B-60636/96	9/1996
AU	B-56228/96	1/1997
AU	199652110 B2	11/1997
CH	528 098	11/1976
CH	582 098 A5	11/1976
DE	G 87 01 155.7 U1	4/1987
DE	G 87 01 155.7	5/1987
DE	200 16 799 U 1	2/2002
DE	200 16 799 U1	3/2002
EP	0 835 149 B1	5/2000
EP	1 281 897 A1	7/2002
FR	1.024.522	4/1953
FR	1.145.605	10/1957
FR	2 664 812	1/1992
FR	2 664 812 A1	1/1992
JP	55-107690	8/1980
JP	01 016626	1/1989
WO	WO 88/02339 A1	4/1988
WO	WO 91/06335 A1	5/1991
WO	WO 93/16928 A1	9/1993
WO	WO 94/06514 A1	3/1994
WO	WO 94/12222 A1	6/1994
WO	WO 95/23742 A1	9/1995
WO	WO 96/19253 A1	6/1996
WO	WO 97/27119 A1	7/1997
WO	WO 99/12597 A1	3/1999
WO	WO 99/38423 A1	8/1999
WO	WO 99/62787 A1	12/1999
WO	WO 00/01435 A1	1/2000
WO	WO 00/29192 A2	5/2000
WO	WO 00/29192 A3	5/2000
WO	WO 00/37327 A1	6/2000
WO	WO 00/53248 A1	9/2000
WO	WO 01/00263 A2	1/2001
WO	WO 01/92133 A3	12/2001
WO	WO 01/92133 A2	12/2001
WO	WO 02/100320 A1	12/2002

\* cited by examiner

FIG. 1

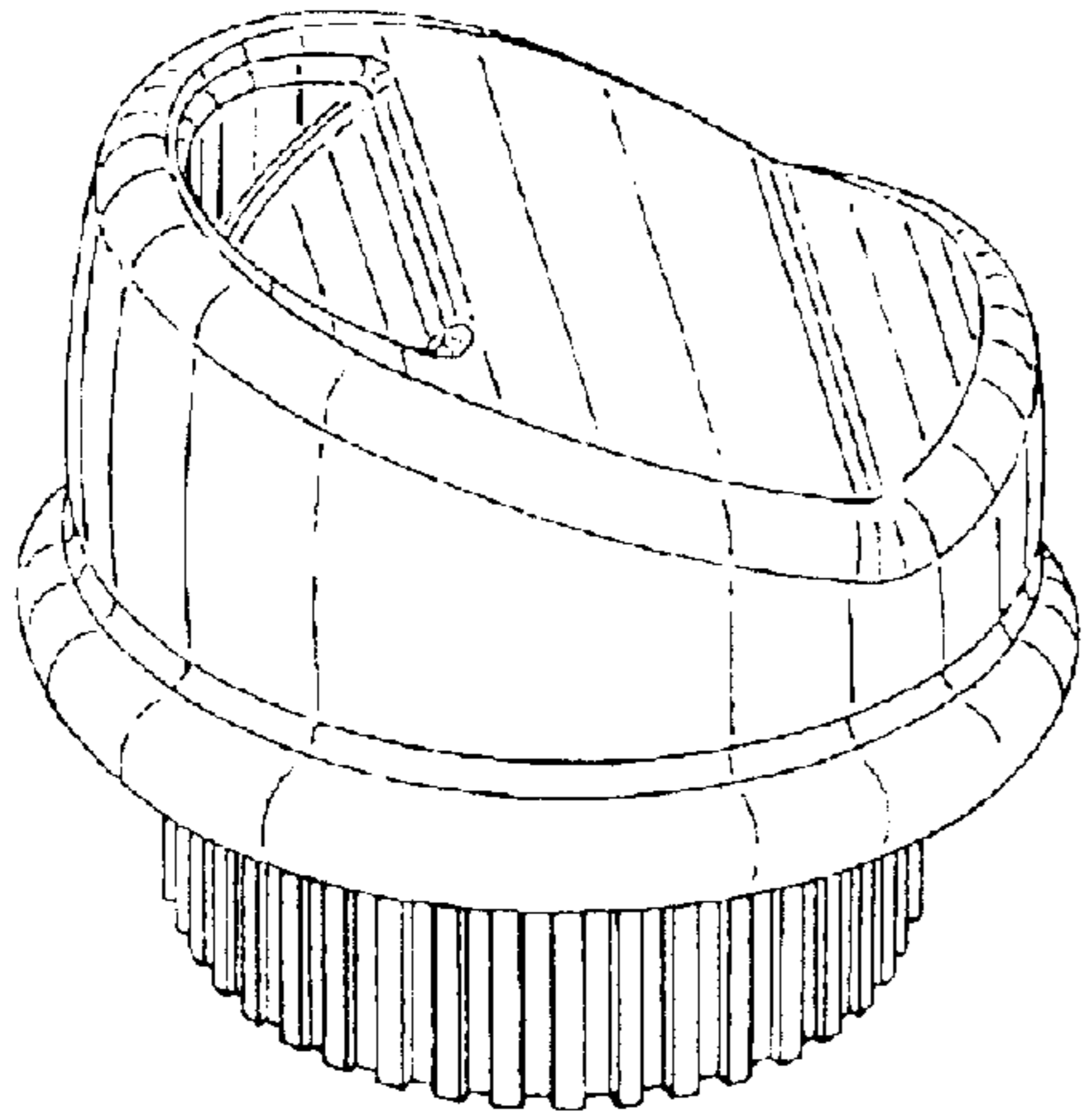


FIG. 2

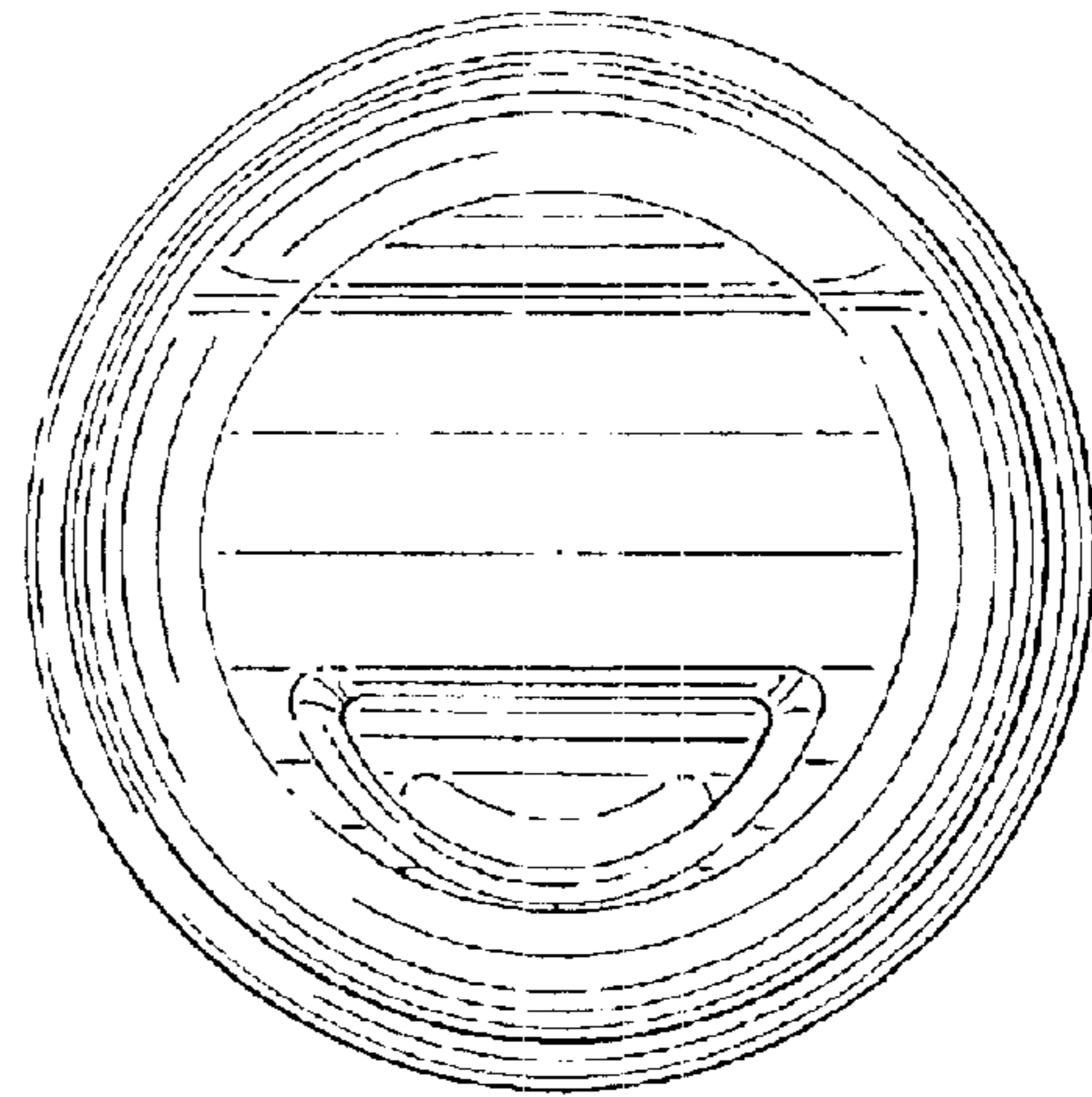


FIG. 3

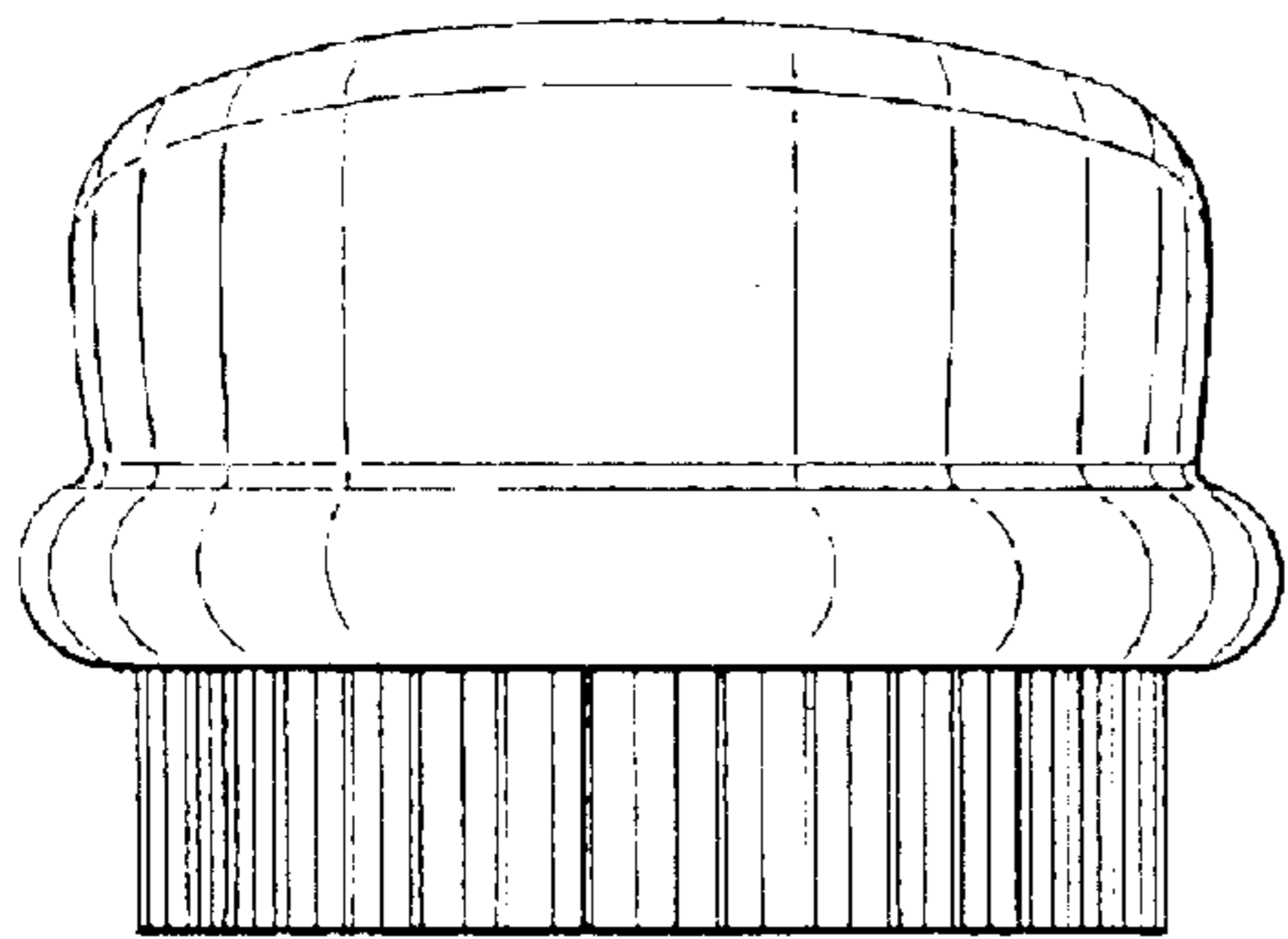


FIG. 4

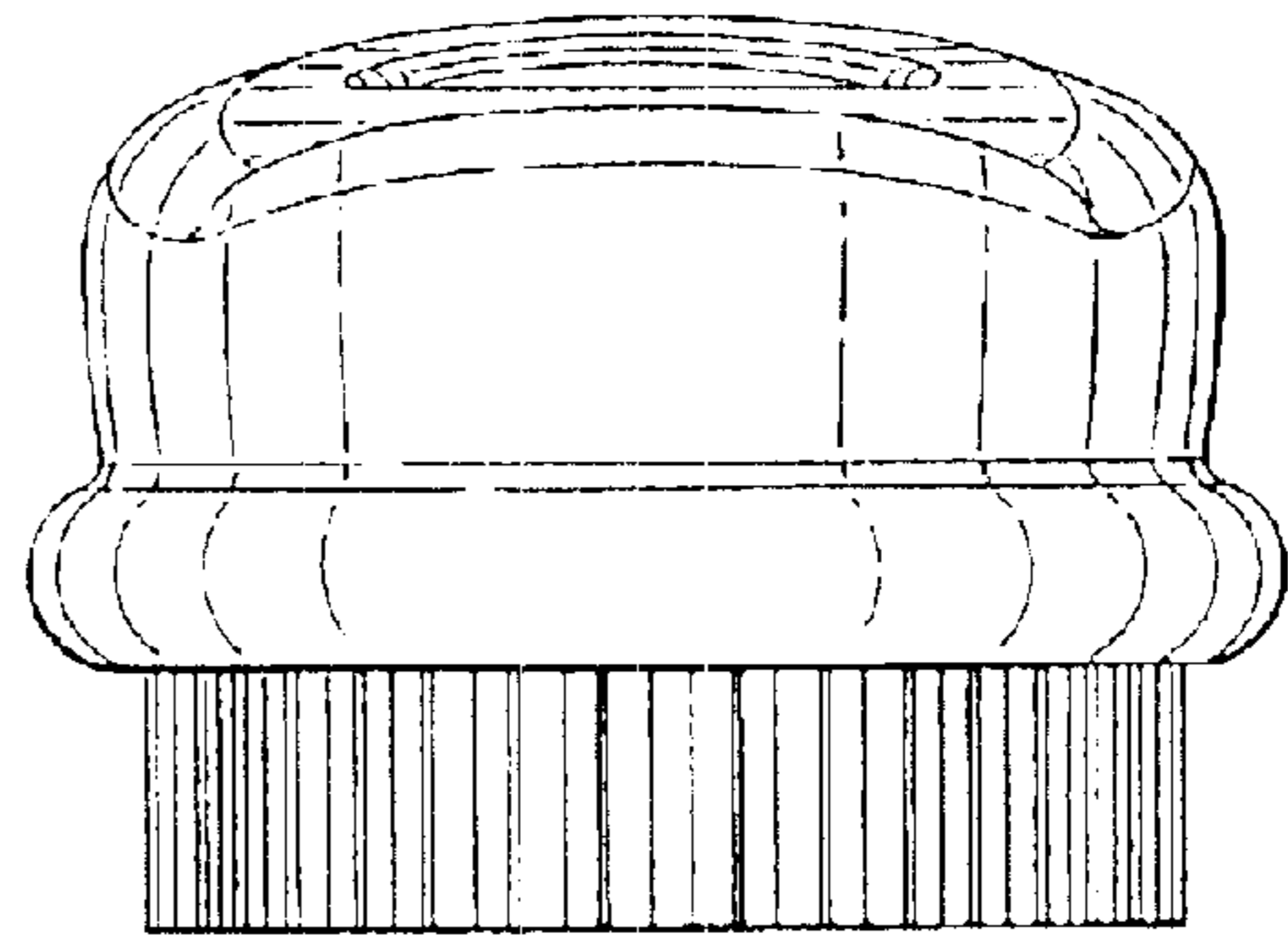


FIG. 5

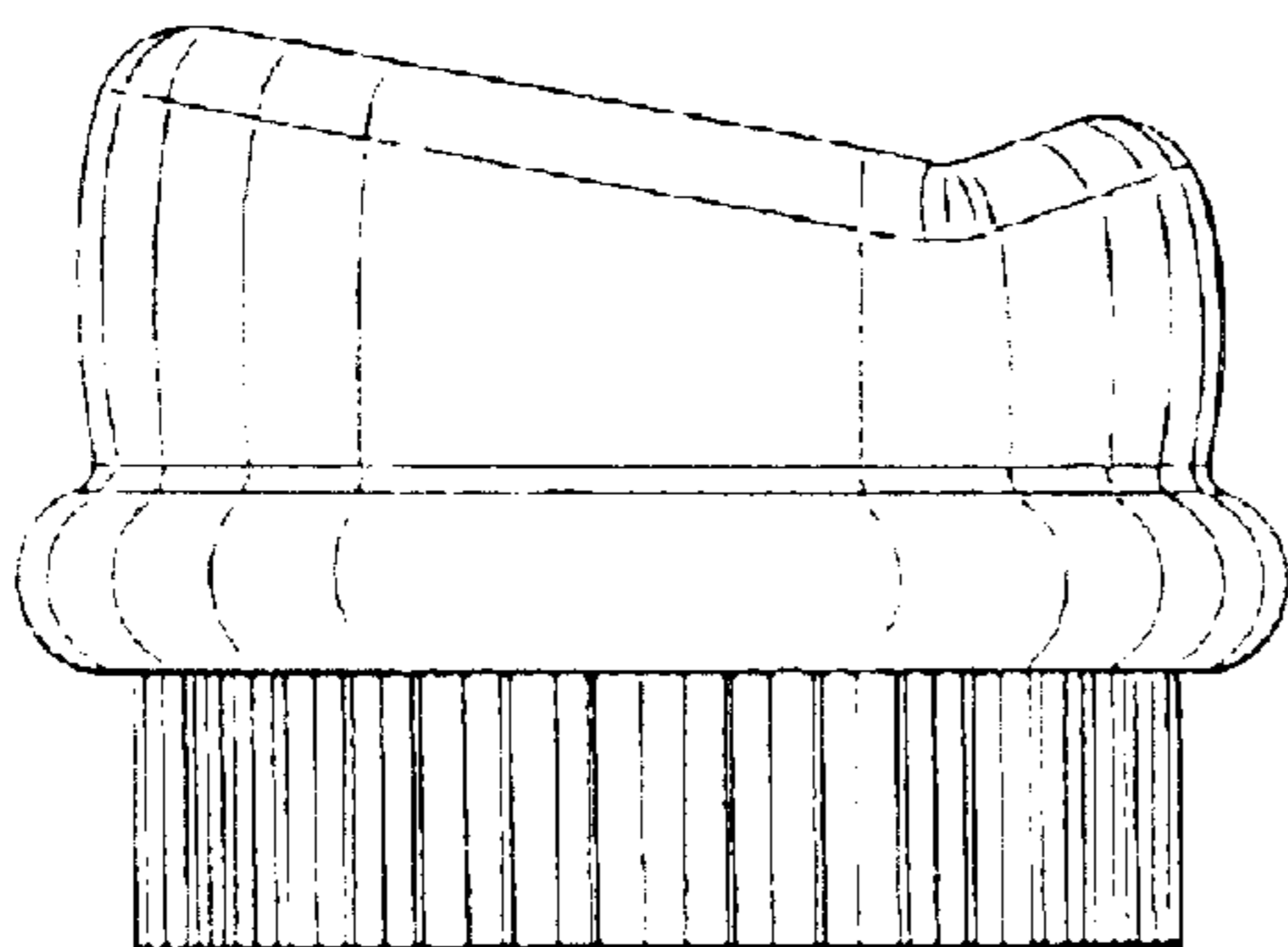


FIG. 6

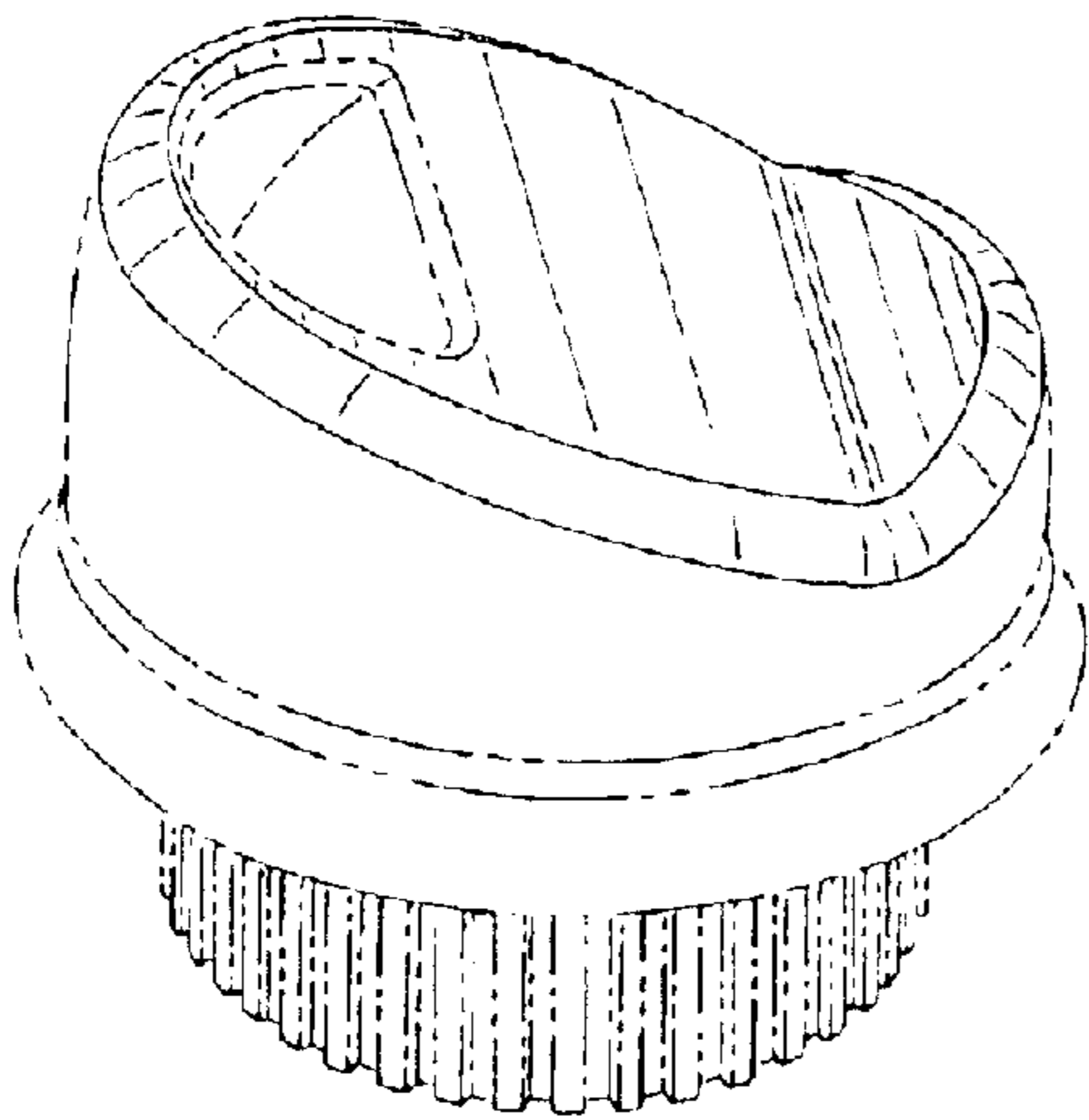


FIG. 7

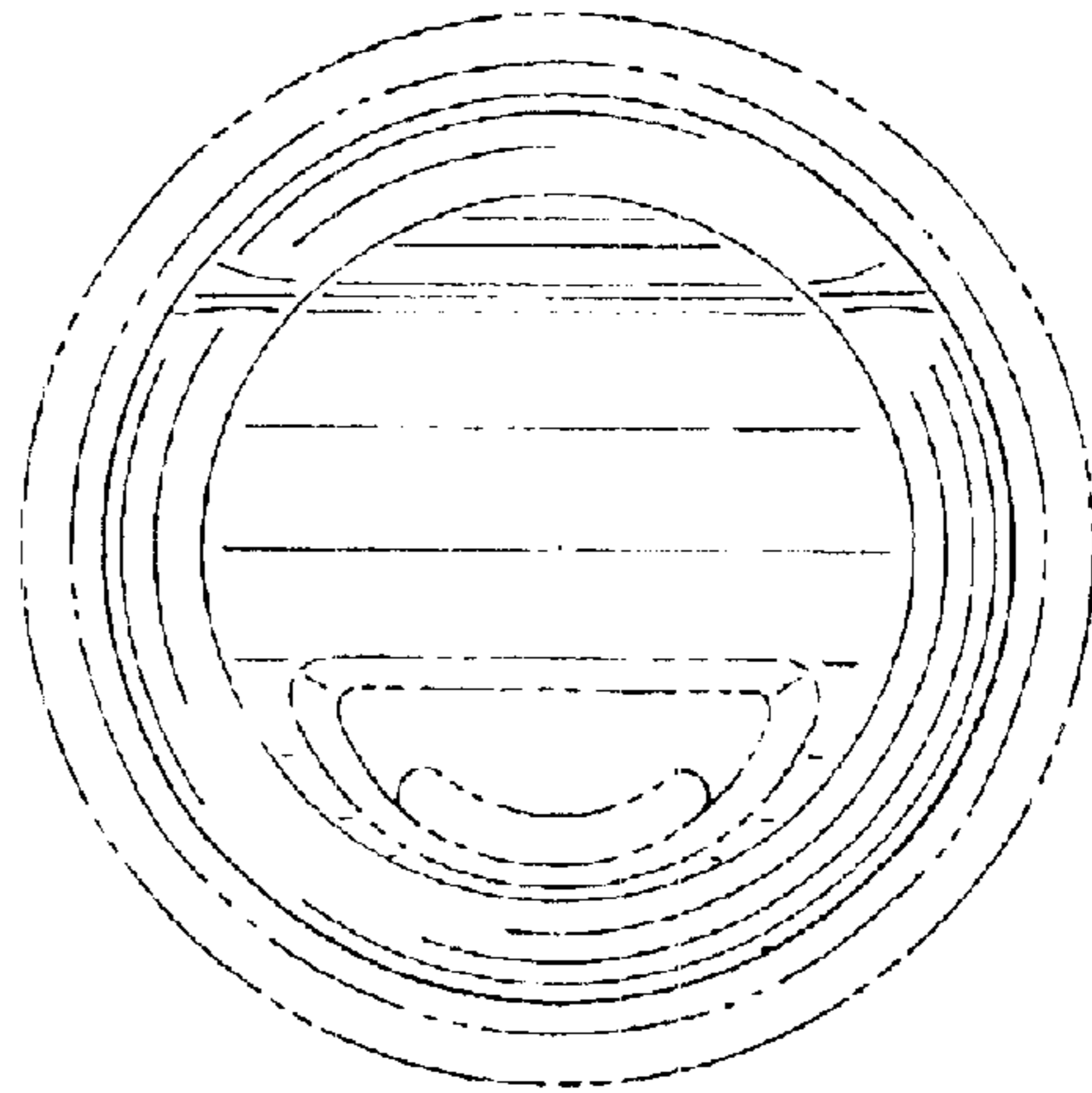


FIG. 8

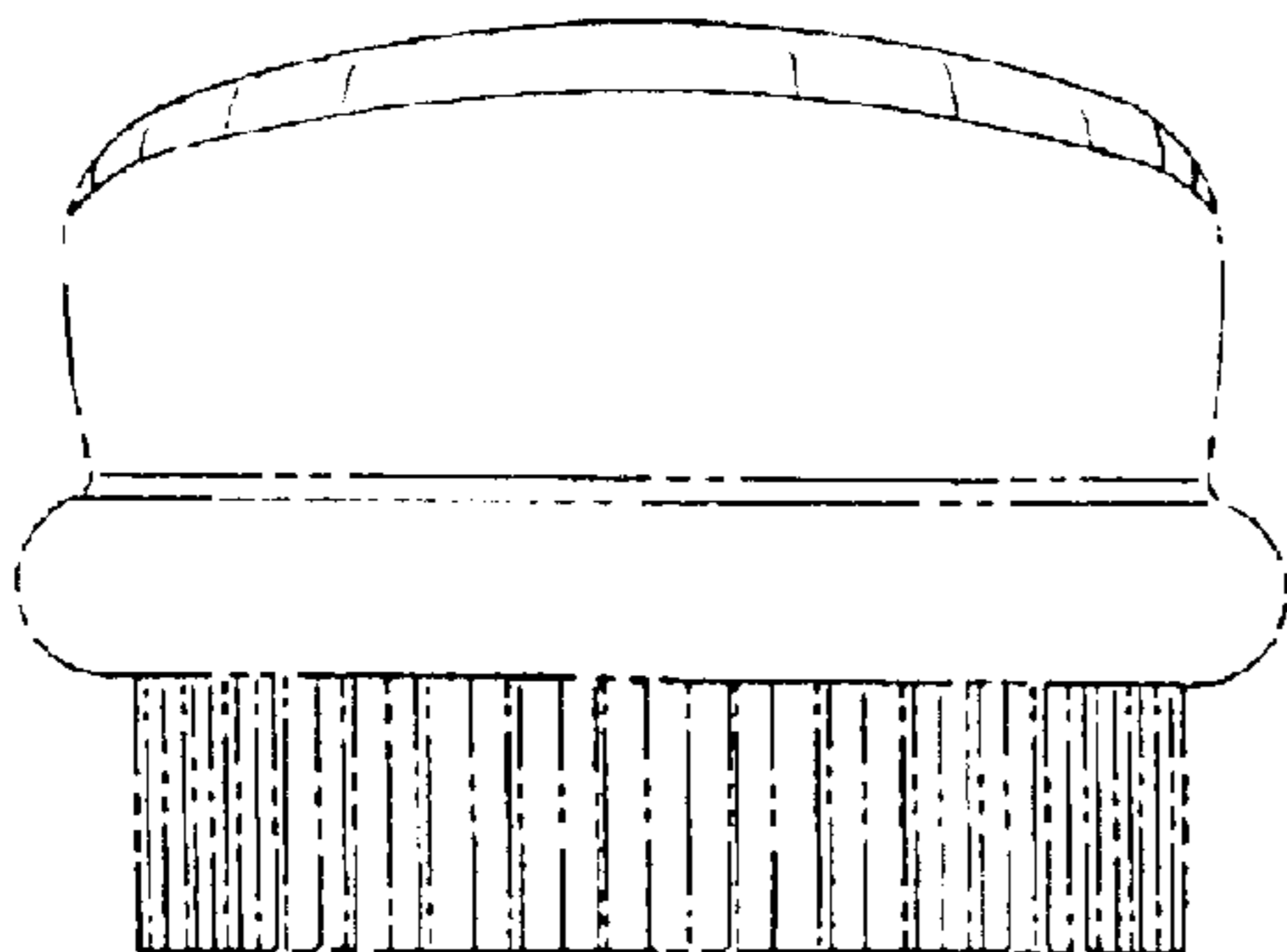


FIG. 9

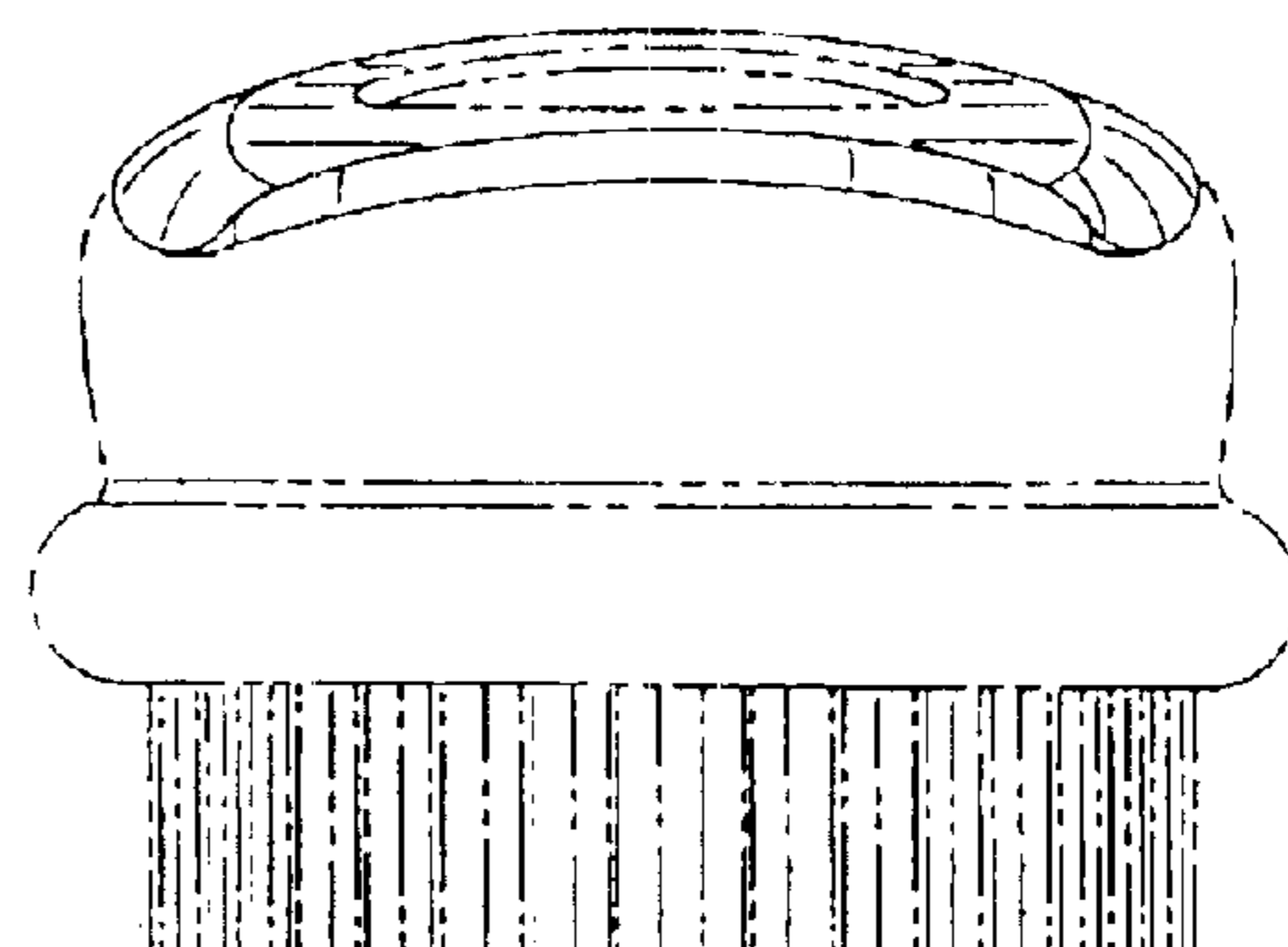


FIG. 10

