

US00D499792S

(12) **United States Design Patent**
Blomstrom

(10) **Patent No.:** **US D499,792 S**

(45) **Date of Patent:** **** Dec. 14, 2004**

(54) **SHOWERHEAD**

(75) **Inventor:** **John K. Blomstrom**, Sheboygan Falls,
WI (US)

(73) **Assignee:** **Kohler Co.**, Kohler, WI (US)

(**) **Term:** **14 Years**

(21) **Appl. No.:** **29/194,645**

(22) **Filed:** **Nov. 26, 2003**

(51) **LOC (7) Cl.** **23-01**

(52) **U.S. Cl.** **D23/229; D23/213**

(58) **Field of Search** **D23/213, 229,**
D23/230; 239/282, 283

(56) **References Cited**

U.S. PATENT DOCUMENTS

- D84,900 S * 8/1931 Moran D23/213
- D328,944 S 8/1992 Robbins
- D475,119 S * 5/2003 Colligan et al. D23/213
- D487,498 S * 3/2004 Blomstrom D23/213

OTHER PUBLICATIONS

2000 Kohler catalog ad., p. 2.41, showing escutcheons for
“Memoirs Stately” handles and showerhead.

1999 Kallista catalog ad, p. 71, showing a “Barbara Barry”
showerhead.

* cited by examiner

Primary Examiner—Robin V. Taylor

(74) *Attorney, Agent, or Firm*—Quarles & Brady LLP

(57) **CLAIM**

The ornamental design for a showerhead, as shown and
described.

DESCRIPTION

In a preferred embodiment, the nature of this product is as
a showerhead primarily useful for enabling a water spray
from a plumbing fitting.

FIG. 1 is a left, top, front perspective view of a showerhead
embodying my new design;

FIG. 2 is a front elevational view thereof;

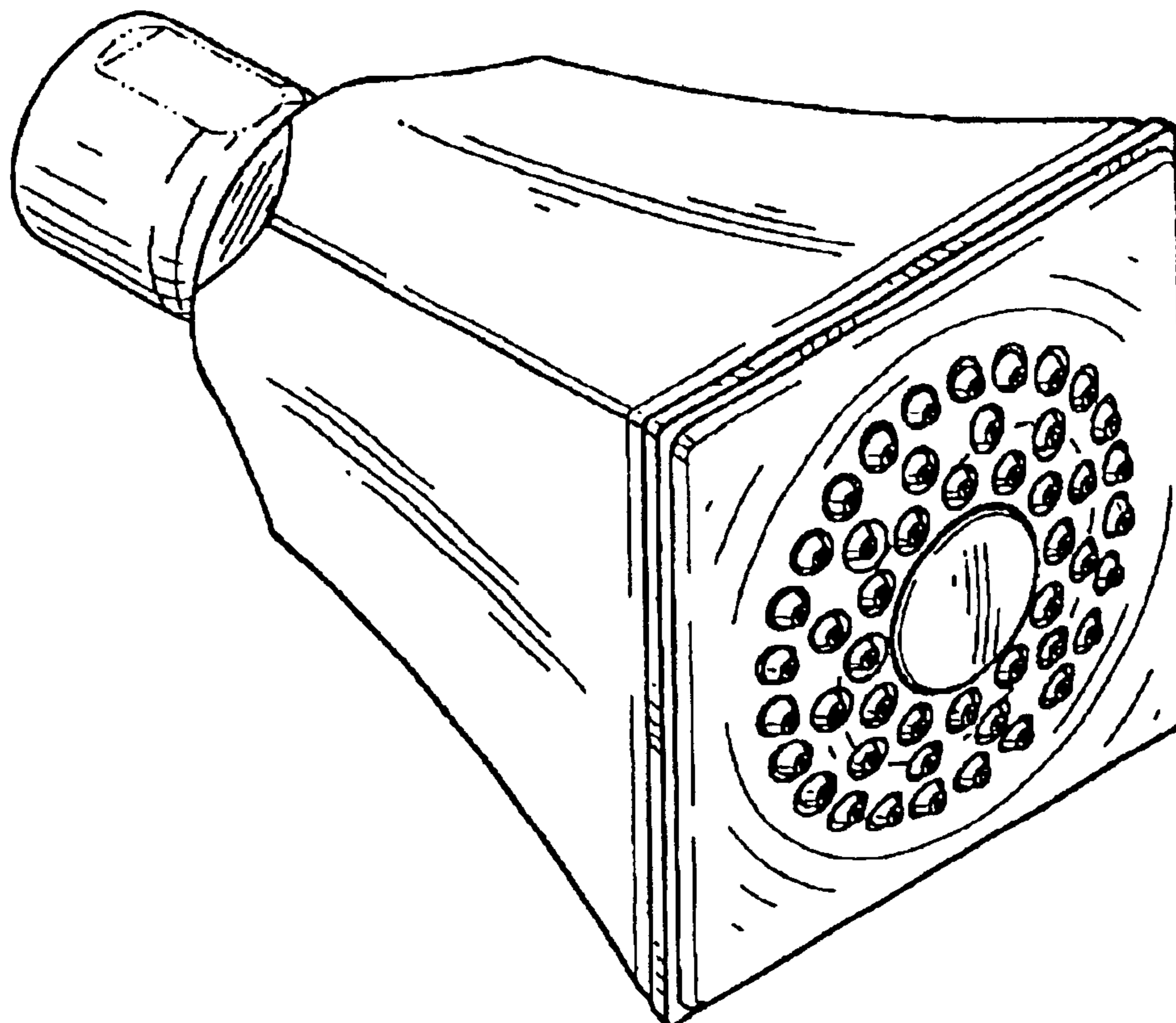
FIG. 3 is a left side elevational view thereof, the right side
elevational view thereof being a mirror image of the left side
shown;

FIG. 4 is a top plan view thereof, the bottom plan view
thereof being a mirror image of the top plan view shown;
and,

FIG. 5 is a rear elevational view thereof.

The broken line representations of a notch in FIGS. 1 and 4,
and of mounting structure in FIG. 5, are for the purpose of
illustration only, and form no part of the claimed design.

1 Claim, 3 Drawing Sheets



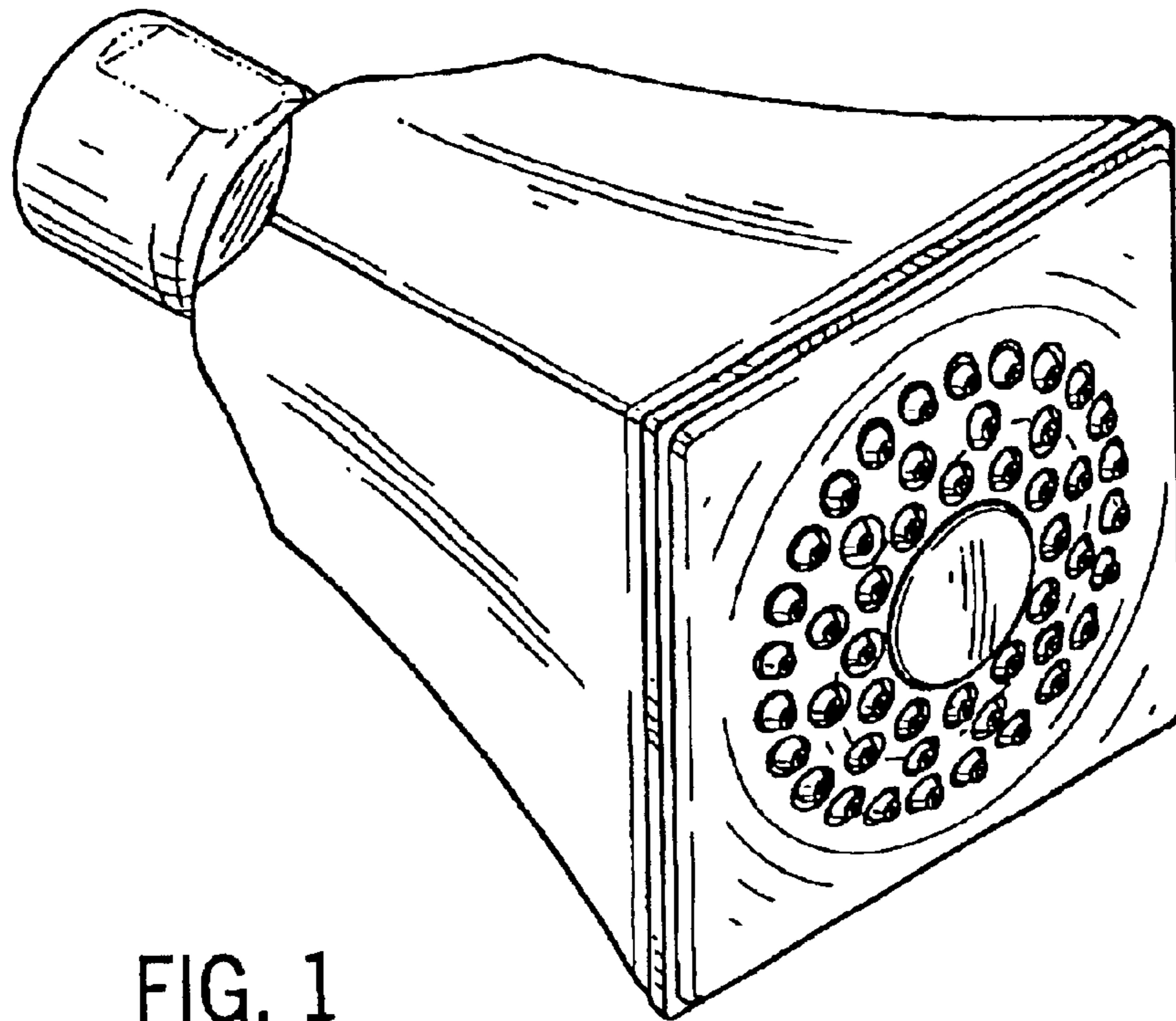
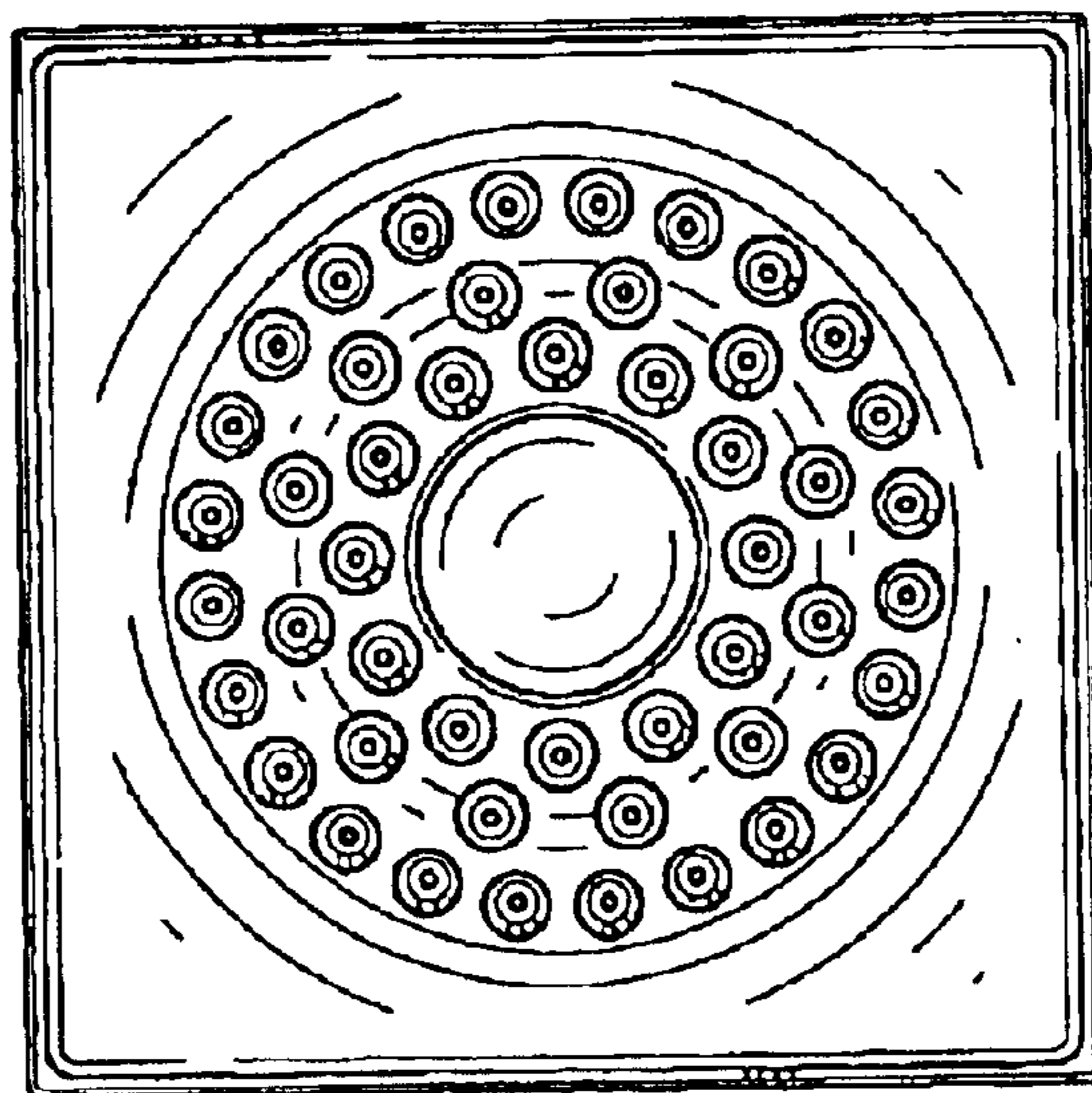


FIG. 1

FIG. 2



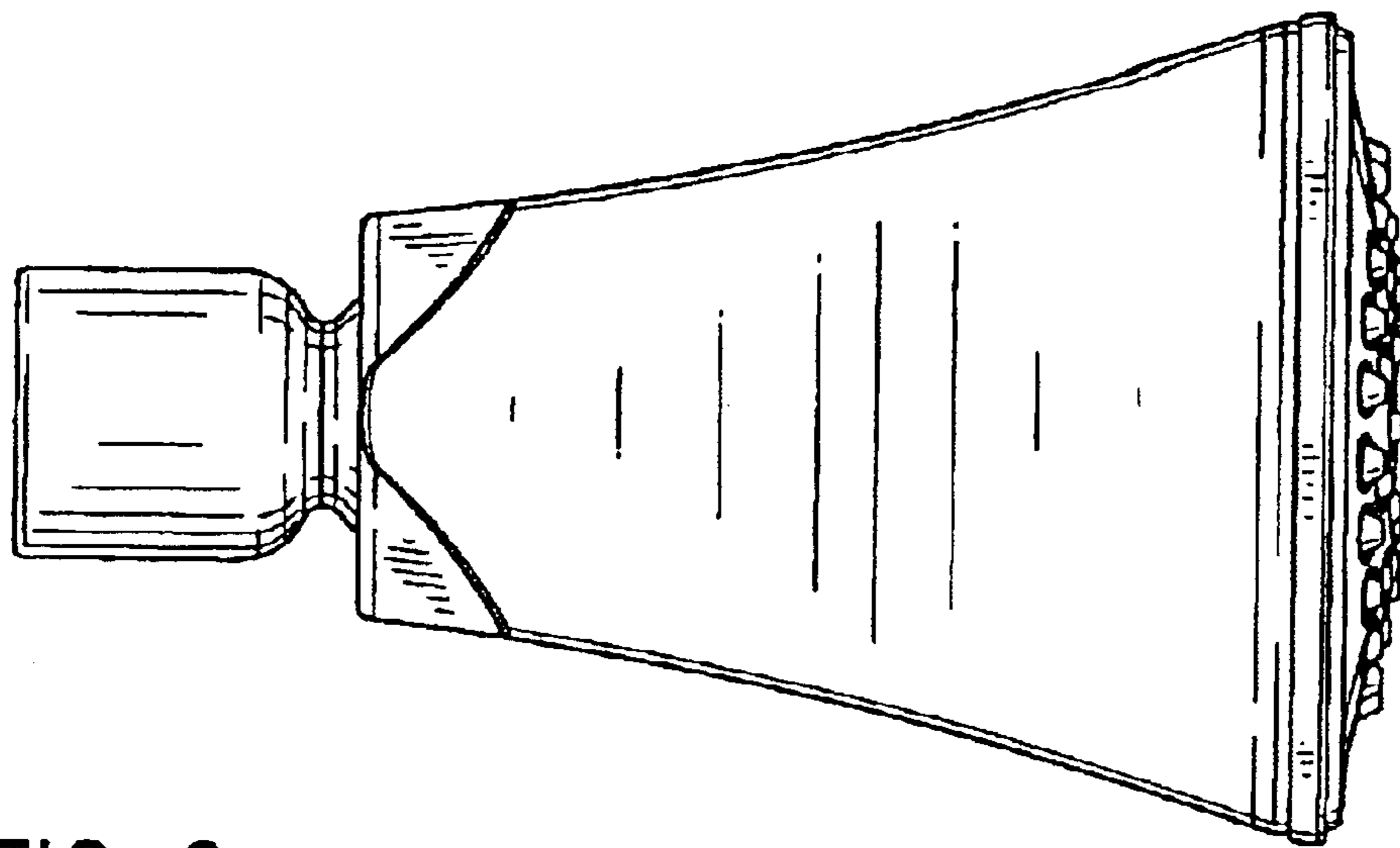


FIG. 3

FIG. 4

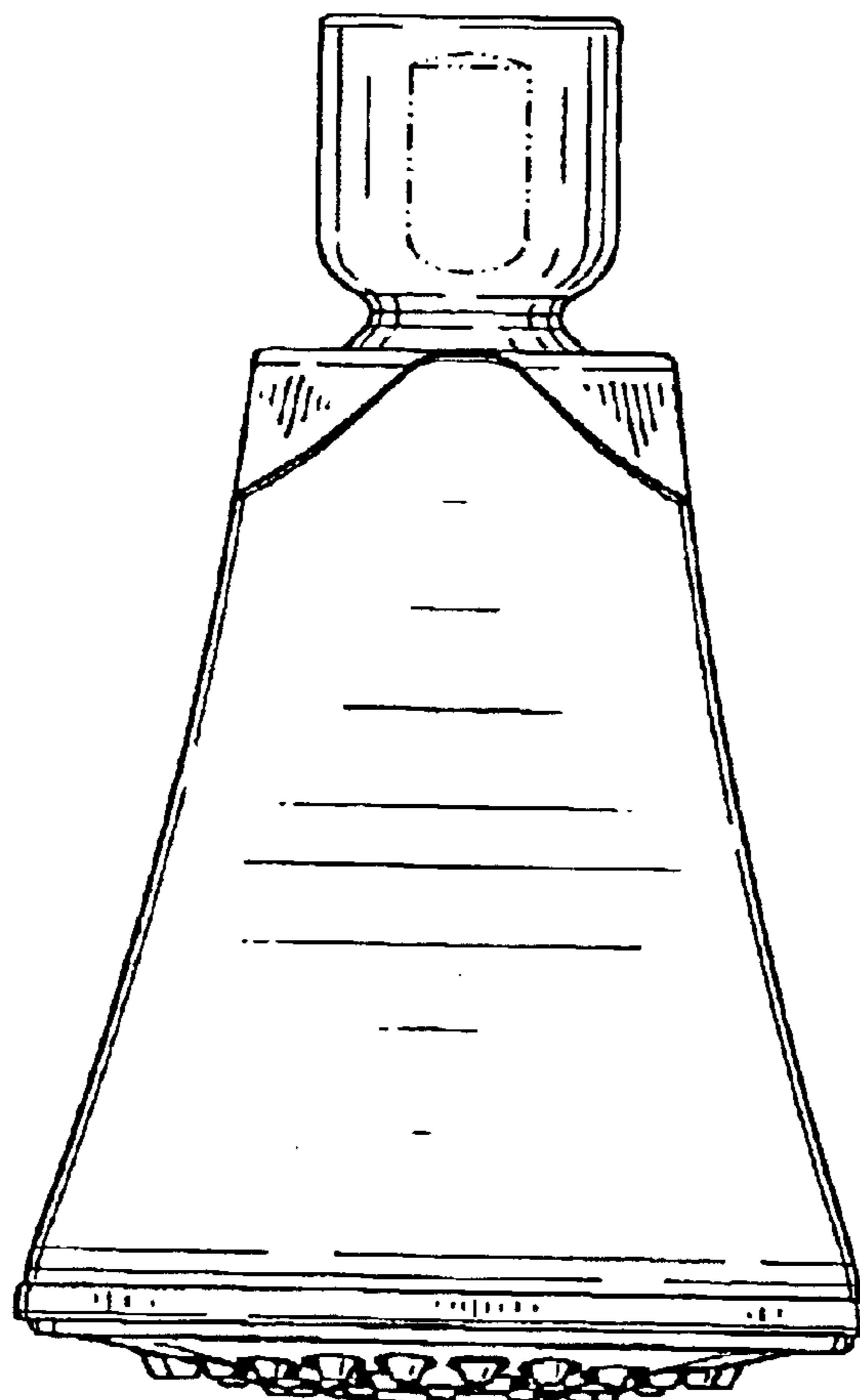


FIG. 5

