

US00D499791S

(12) **United States Design Patent**
Etter

(10) **Patent No.:** **US D499,791 S**

(45) **Date of Patent:** **** Dec. 14, 2004**

(54) **PRESSURE WASHER WAND**

D332,133 S * 12/1992 Simonetti et al. D23/226
5,525,046 A * 6/1996 Hartmann 417/300
6,158,677 A * 12/2000 Coles 239/526

(75) **Inventor:** **Mark A. Etter**, Humboldt, TN (US)

(73) **Assignee:** **DeVilbiss Air Power Company**,
Jackson, TN (US)

(**) **Term:** **14 Years**

* cited by examiner

Primary Examiner—Robin V. Taylor

(74) *Attorney, Agent, or Firm*—Suiter West PC LLO

(21) **Appl. No.:** **29/194,659**

(22) **Filed:** **Nov. 26, 2003**

(57) **CLAIM**

I claim the ornamental design for a pressure washer wand,
as shown.

(51) **LOC (7) Cl.** **23-01**

(52) **U.S. Cl.** **D23/226**

(58) **Field of Search** D23/213, 223,
D23/226; 239/525, 526

DESCRIPTION

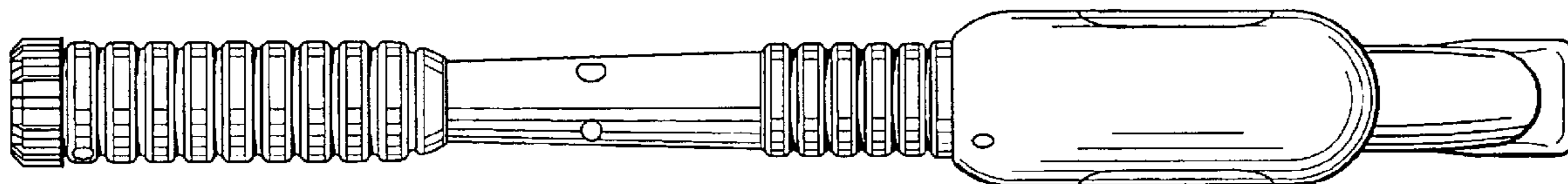
FIG. 1 is top plan view showing my new design;
FIG. 2 is a front elevation view thereof;
FIG. 3 is a left side elevation view thereof;
FIG. 4 is rear elevation view thereof;
FIG. 5 is a right side elevation view thereof; and,
FIG. 6 is a bottom plan view thereof.

(56) **References Cited**

U.S. PATENT DOCUMENTS

4,541,568 A * 9/1985 Lichfield 239/441
D291,113 S * 7/1987 Bauer D23/226

1 Claim, 2 Drawing Sheets



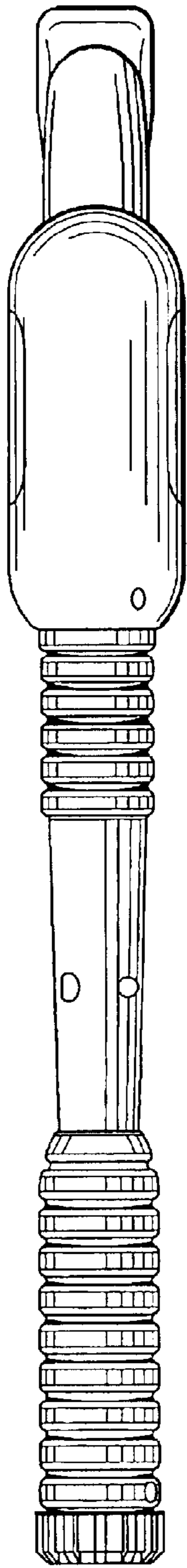


Fig. 1

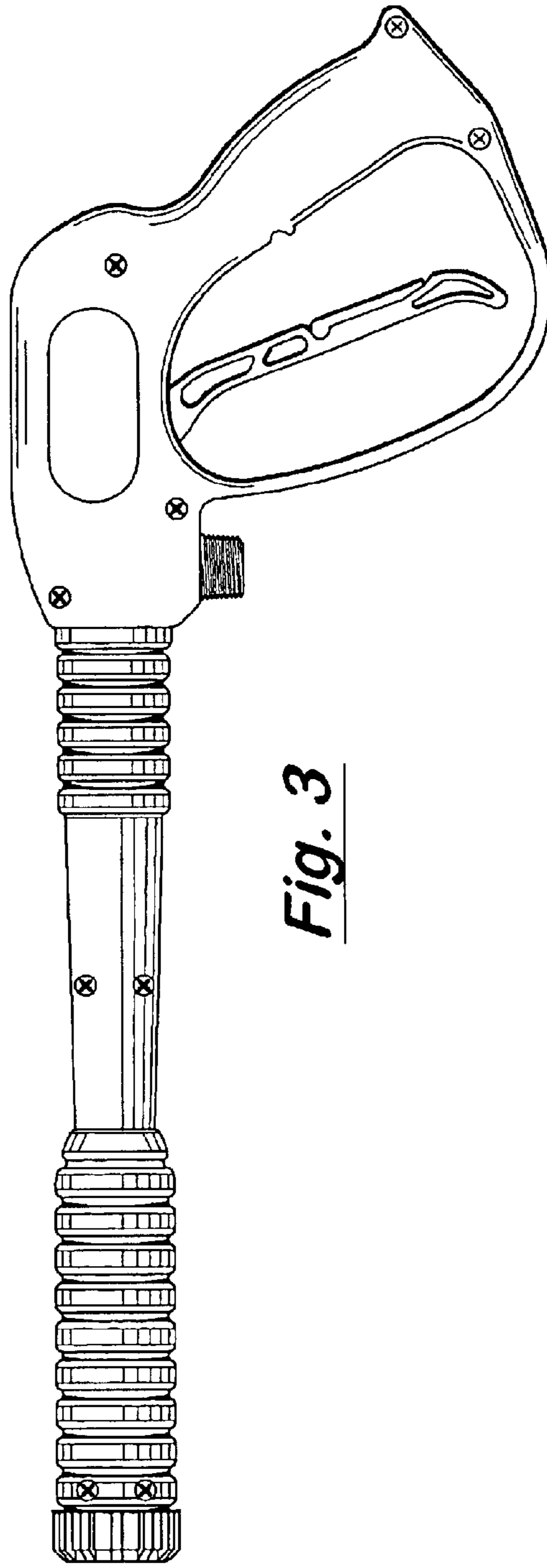


Fig. 3

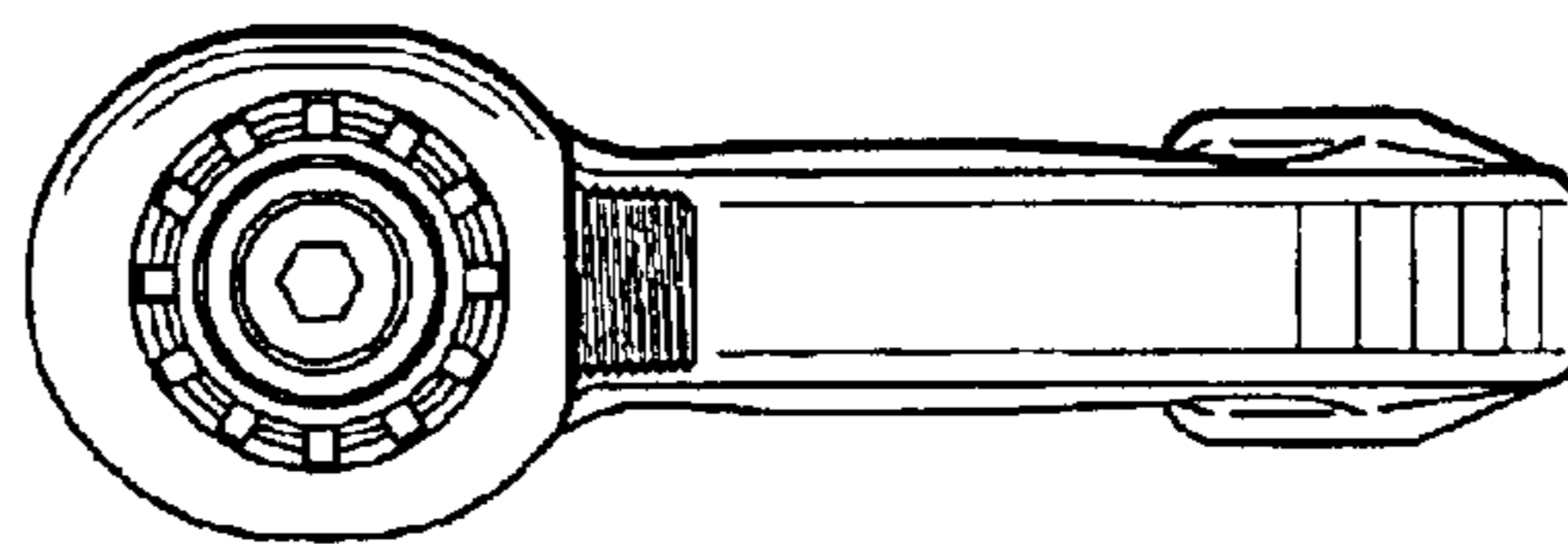


Fig. 2

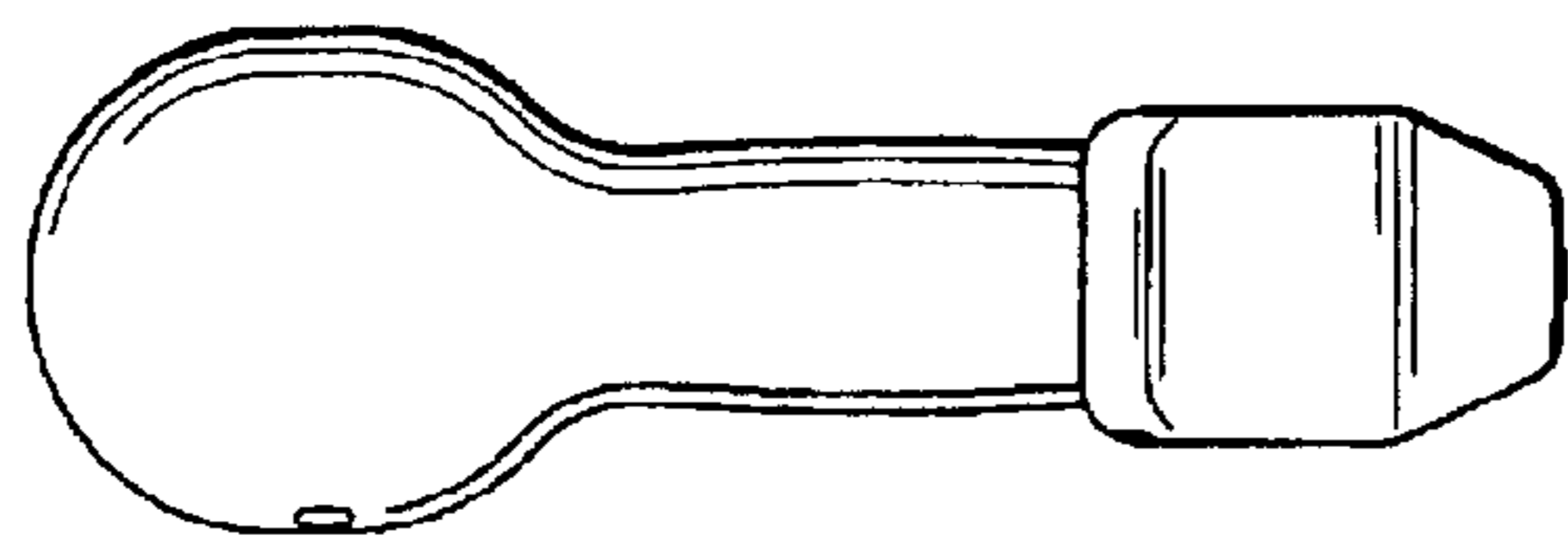


Fig. 4

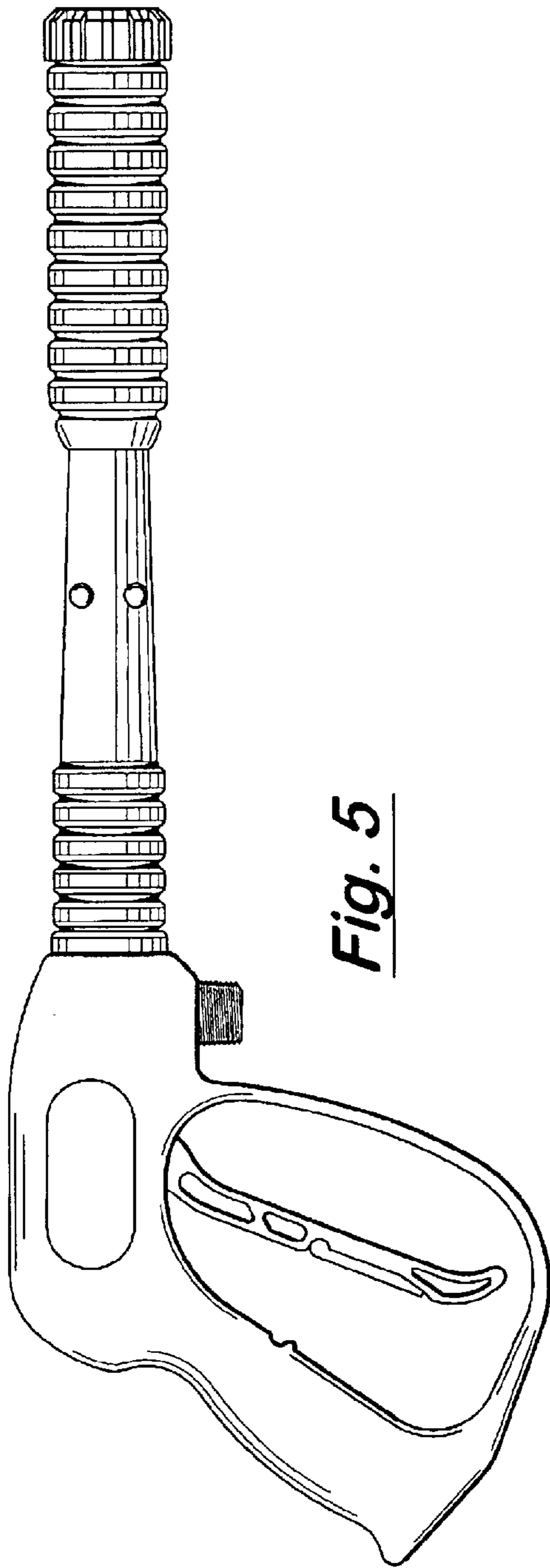


Fig. 5

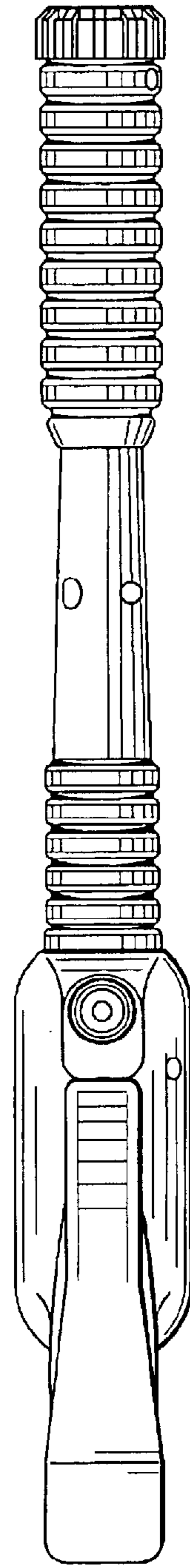


Fig. 6